



US00D832734S

(12) **United States Design Patent**
Warren

(10) **Patent No.:** **US D832,734 S**
(45) **Date of Patent:** **** *Nov. 6, 2018**

(54) **JEWELRY PIECE HAVING DECORATIVE ELEMENT**

(71) Applicant: **Apollo 13 Designs, LLC**, Lancaster, PA (US)

(72) Inventor: **Michael K. Warren**, Lancaster, PA (US)

(73) Assignee: **Apollo 13 Designs, LLC**, Lancaster, PA (US)

(*) Notice: This patent is subject to a terminal disclaimer.

(**) Term: **15 Years**

(21) Appl. No.: **29/577,135**

(22) Filed: **Sep. 9, 2016**

(51) **LOC (11) Cl.** **11-01**

(52) **U.S. Cl.**
USPC **D11/26; D11/35**

(58) **Field of Classification Search**

USPC D11/1-40, 86, 87; D28/39-43; D8/300, D8/307, 310, 330, 333, 334, 343, 382, D8/499; D12/197; 63/12, 13, 15, 32, 33; 24/40, 41.1, 90.1, 578.11

CPC .. A44C 5/00; A44C 5/10; A44C 5/022; A44C 5/025; A44C 5/145; A44C 5/0007; A44C 5/0061; A44C 5/0076; A44C 5/0084; A44C 5/0092; A44C 5/2071; A44C 5/2085; A44C 9/0038; A44C 9/0053; A44C 17/02; A44C 5/0069; A44C 9/142; A44C 15/005; A44C 15/0005; A44C 17/001; A44C 17/003; A44C 17/005

See application file for complete search history.

(56) **References Cited**

U.S. PATENT DOCUMENTS

D232,415 S * 8/1974 Matsumoto 81/3.55
D248,844 S * 8/1978 Campbell D11/128

D269,273 S * 6/1983 Garber D15/199
D305,022 S * 12/1989 Hallgren D13/171
D326,241 S * 5/1992 Kroh 63/1.12
D383,892 S * 9/1997 Virzi D2/866
D397,320 S * 8/1998 Hoagland, IV D12/197
D412,221 S * 7/1999 Semrad-Drutz D28/42
5,922,993 A * 7/1999 Ide H01R 43/0228
174/84 R

D420,944 S * 2/2000 Hoagland, IV D12/126
(Continued)

OTHER PUBLICATIONS

Diamond Offset (via Stephen Kris), available Nov. 2, 2015, [online], [site visited Nov. 1, 2017]. Available from internet, <URL: https://web.archive.org/web/20151102012014/http://stephenkris.com:80/category/wedding-rings/wedding-bands-men/*

(Continued)

Primary Examiner — Cathron C Brooks

Assistant Examiner — W. A. Teddy Falloway

(74) *Attorney, Agent, or Firm* — Barley Snyder

(57) **CLAIM**

The ornamental design for the jewelry piece having decorative element, as shown and described.

DESCRIPTION

FIG. 1 is a top, front and right side perspective view of jewelry piece having decorative element, showing the new design;

FIG. 2 is a left side view thereof;

FIG. 3 is a right side view thereof;

FIG. 4 is a front plan view thereof;

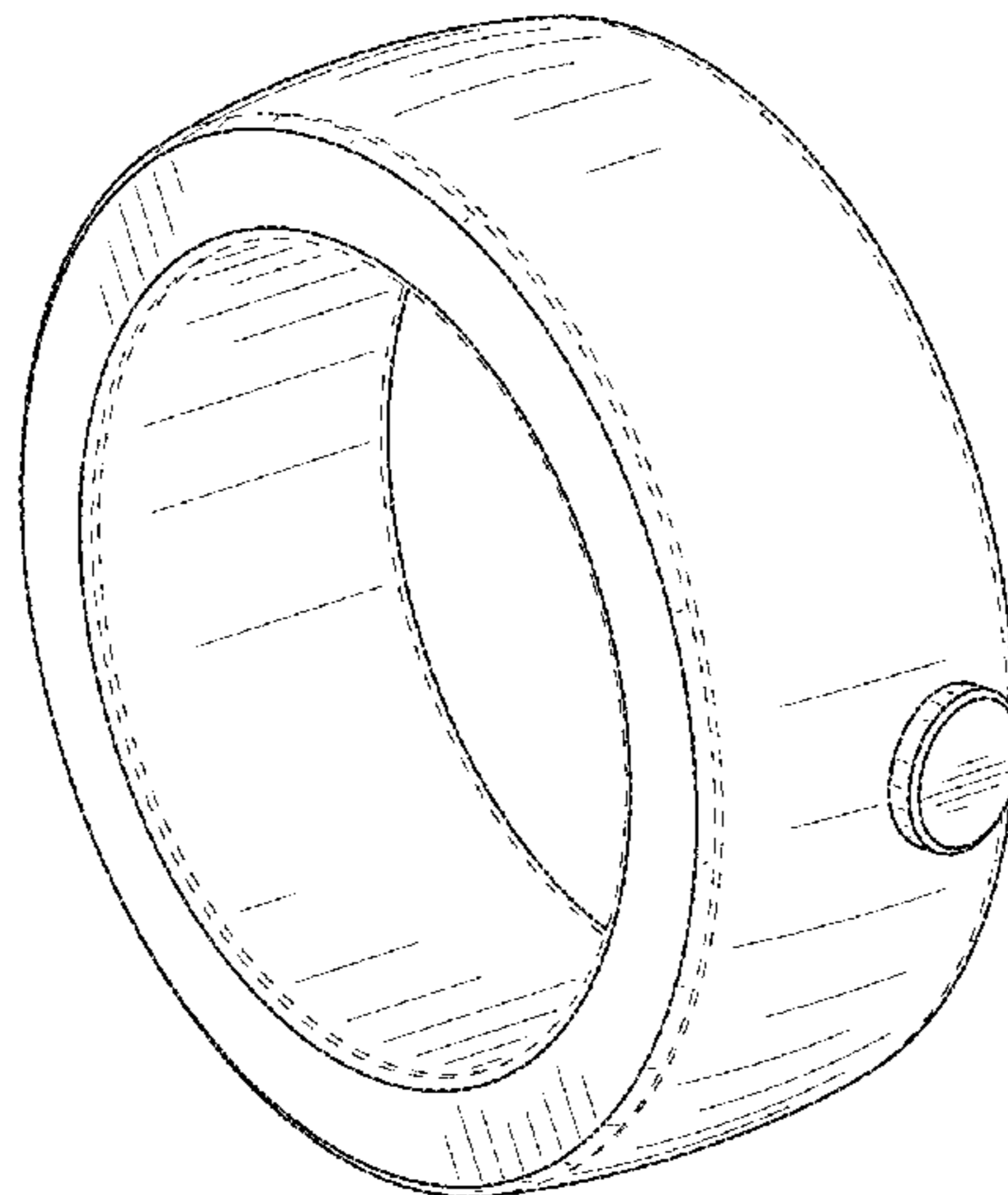
FIG. 5 is a rear plan view thereof;

FIG. 6 is a top view thereof; and,

FIG. 7 is a bottom view.

The broken lines illustrate portions of the jewelry piece having decorative element and form no part of the claimed design.

1 Claim, 4 Drawing Sheets



(56)

References Cited

U.S. PATENT DOCUMENTS

6,101,843 A * 8/2000 Nagano A44C 9/003
 63/15.3
 D464,868 S * 10/2002 Yip D8/367
 D472,497 S * 4/2003 Bonnet D11/40
 D479,133 S * 9/2003 Quintero D9/551
 6,715,911 B2 4/2004 Villarreal
 D496,414 S * 9/2004 Harms D21/681
 D504,923 S * 5/2005 Harms D21/681
 6,932,306 B2 * 8/2005 Zou F16B 45/00
 248/205.5
 D514,311 S * 2/2006 Cetera D3/215
 7,040,778 B2 5/2006 Villarreal
 D531,545 S * 11/2006 Yamazaki D11/221
 D541,692 S * 5/2007 Daas D11/16
 D562,174 S * 2/2008 Miller D11/34
 D562,175 S * 2/2008 Miller D11/35
 D578,299 S * 10/2008 Dennis D2/946
 7,513,019 B2 4/2009 Friedman
 D597,881 S * 8/2009 Hou D11/3
 D633,000 S * 2/2011 Allen D11/164
 D637,511 S * 5/2011 Papadimitriou D11/35
 D651,935 S * 1/2012 Greer D11/87
 D652,755 S * 1/2012 Romero D11/1
 D656,057 S * 3/2012 Burris D11/82
 D665,987 S * 8/2012 El D2/976
 8,250,796 B2 8/2012 Padgett
 D670,189 S * 11/2012 Puglisi D11/26
 D678,109 S * 3/2013 Phillips D11/79
 D698,197 S * 1/2014 Andersson D7/354
 D711,257 S * 8/2014 Sargent D10/103
 D716,896 S * 11/2014 Blackwood D21/811

D721,603 S * 1/2015 Chernyshou D10/65
 D736,589 S * 8/2015 Watson D8/310
 D751,448 S * 3/2016 Baker D11/26
 D751,940 S * 3/2016 Vaughan D11/81
 D764,339 S * 8/2016 Roberts D11/3
 D779,994 S * 2/2017 Roberts D11/3
 D779,995 S * 2/2017 Roberts D11/3
 D781,740 S * 3/2017 Yatsugi-Kang D11/79
 D791,016 S * 7/2017 Gramatikas D11/222
 D791,765 S * 7/2017 von Badinski D14/344
 D794,884 S * 8/2017 Ayers D32/28
 D795,124 S * 8/2017 Schwaninger D11/86
 D797,542 S * 9/2017 Block D8/310
 D799,963 S * 10/2017 Akiyama D9/454
 D808,847 S * 1/2018 Warren D11/26
 2009/0255666 A1 * 10/2009 Olsen E21B 17/1028
 166/208
 2013/0327088 A1 12/2013 Smith
 2014/0027521 A1 1/2014 Pedicano
 2015/0220109 A1 * 8/2015 von Badinski G01P 15/00
 340/539.12
 2016/0262504 A1 * 9/2016 Schooley A44C 5/2057

OTHER PUBLICATIONS

Silver and Gold Offset Diamond Ring (via Stephen Kris), available Apr. 13, 2013, [online], [site visited Nov. 1, 2017]. Available from internet, <URL: <https://www.notonthehighstreet.com/shonajewellery/product/offset-diamond-ring>.
 * Webpage for www.Ringly.com, downloaded on Dec. 6, 2016, Copyright 2016 Ringly, 4 pages.

* cited by examiner

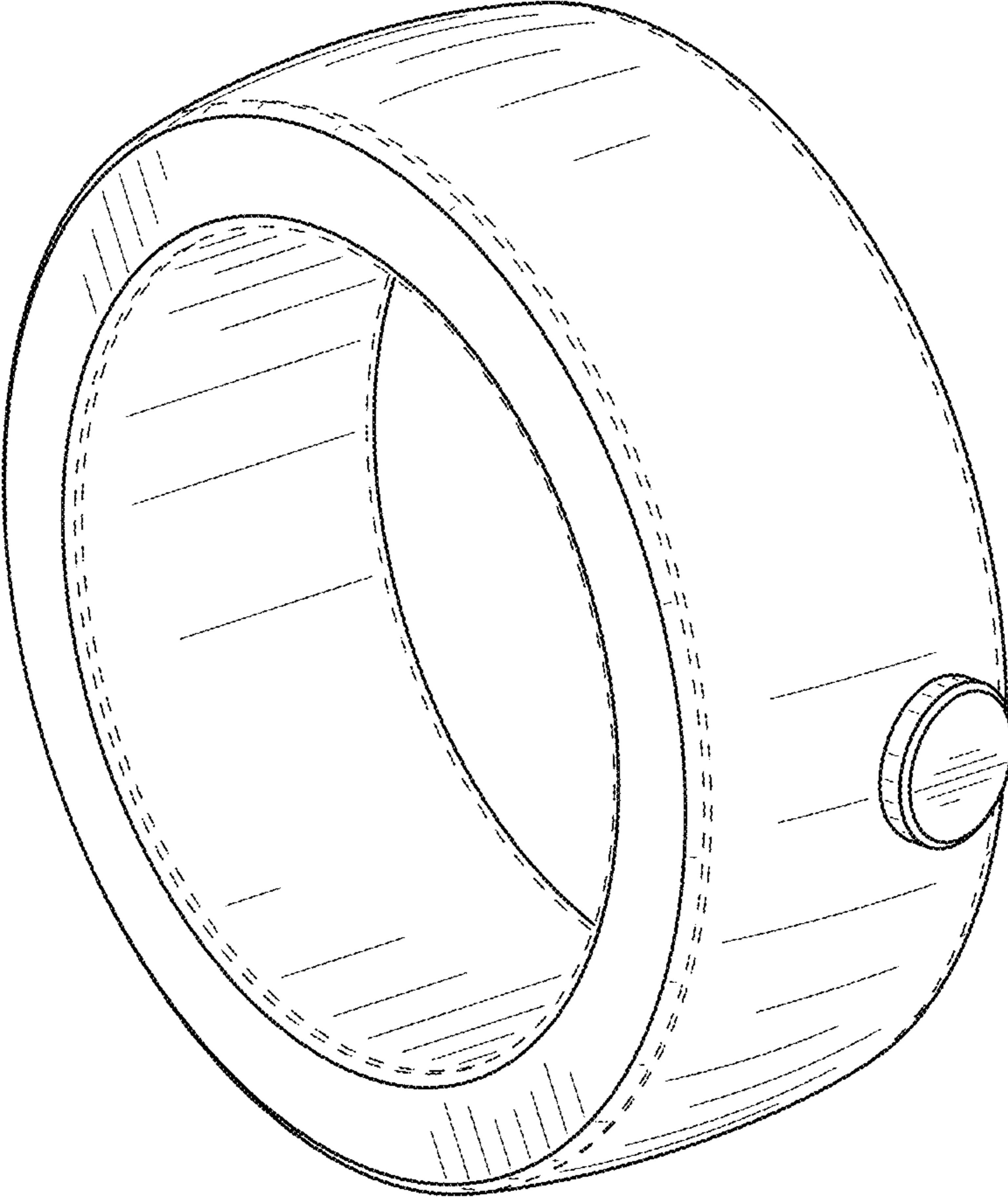


FIG. 1

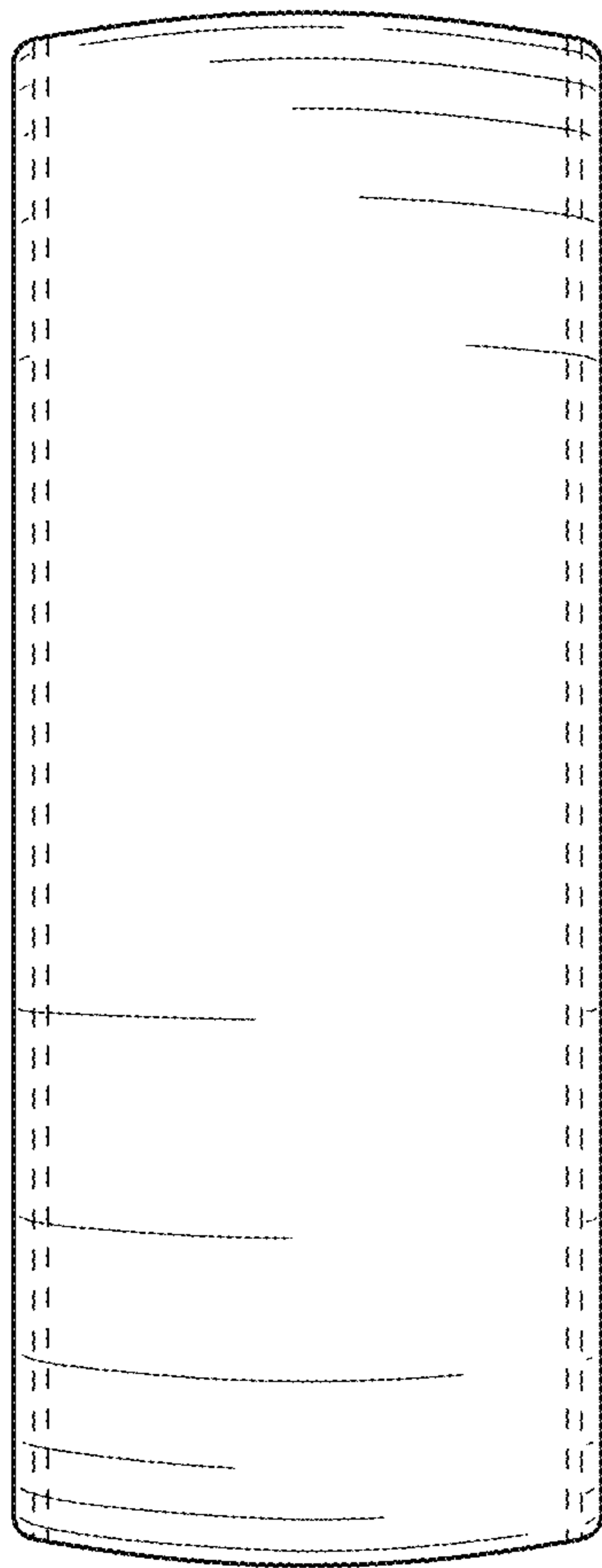


FIG. 2

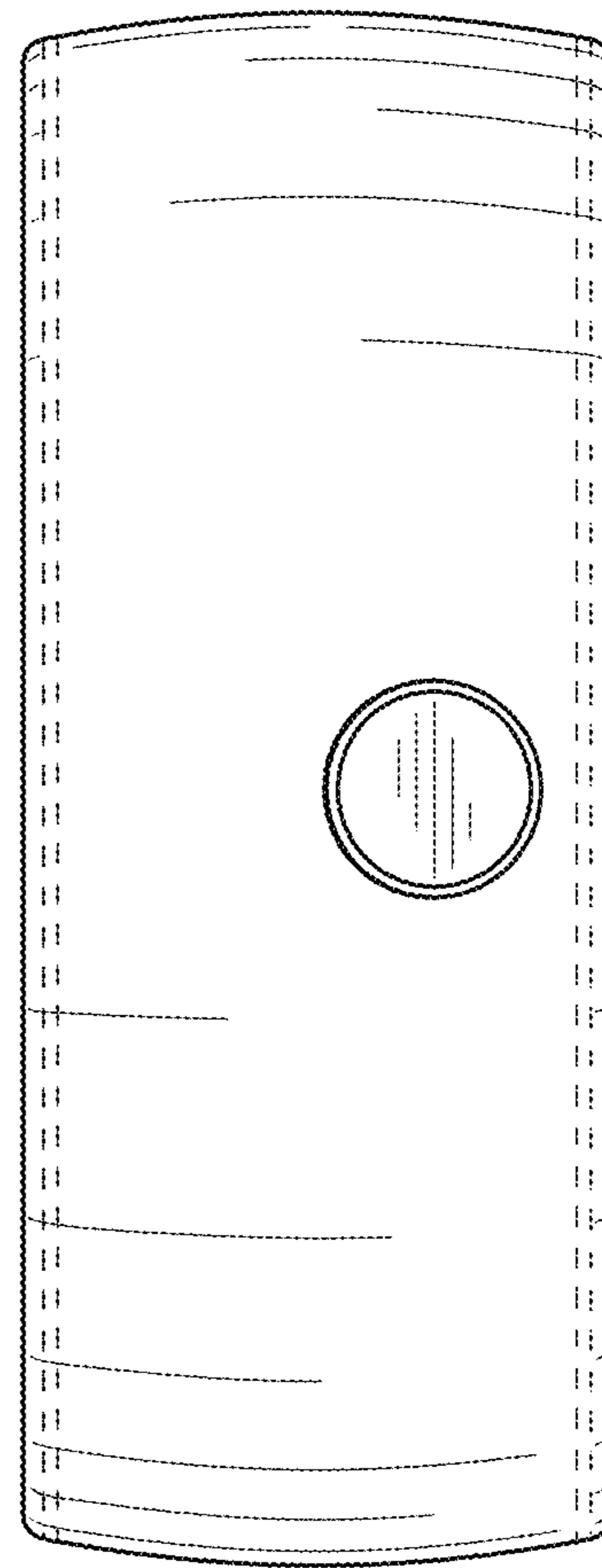


FIG. 3

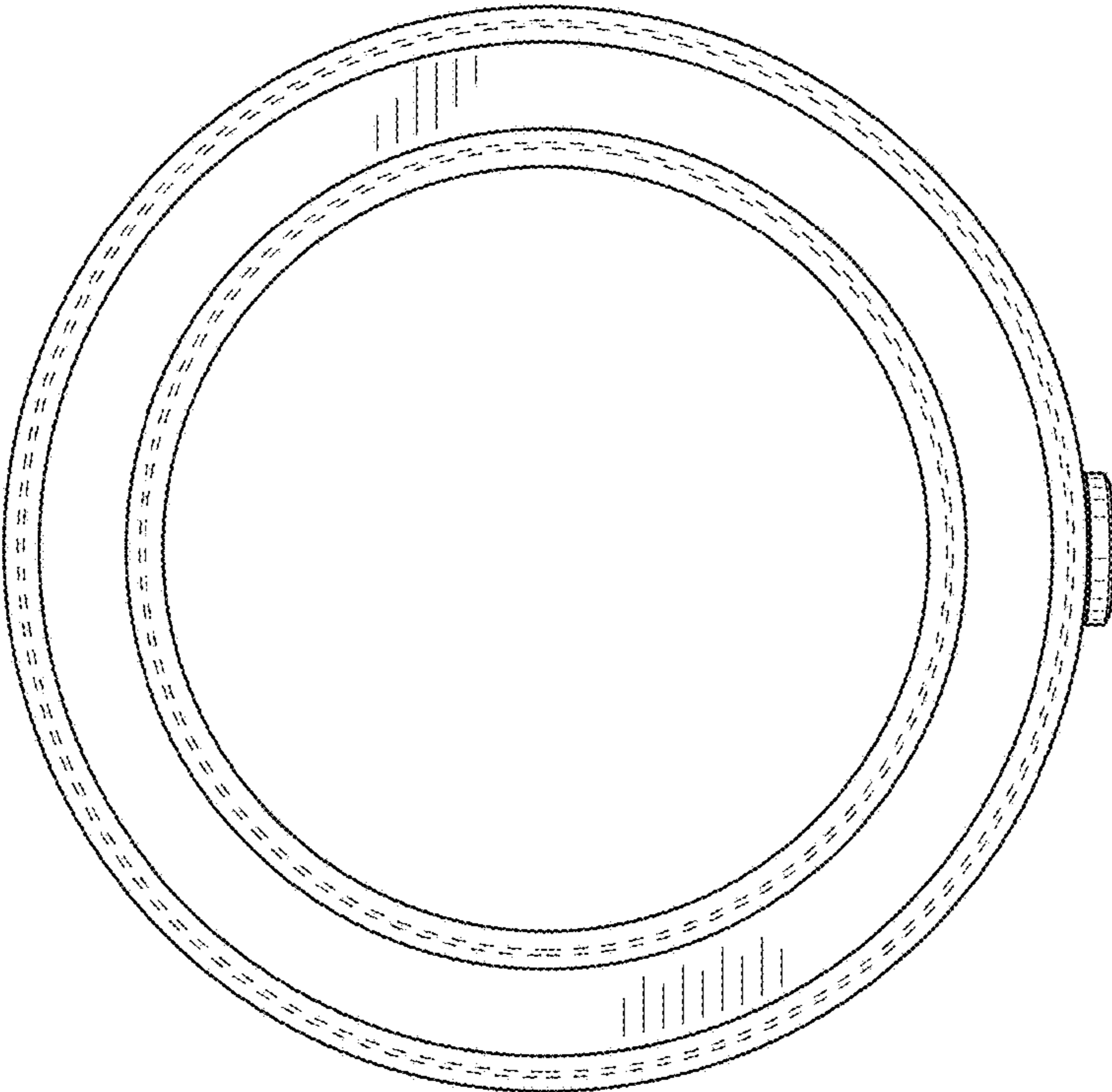


FIG. 4

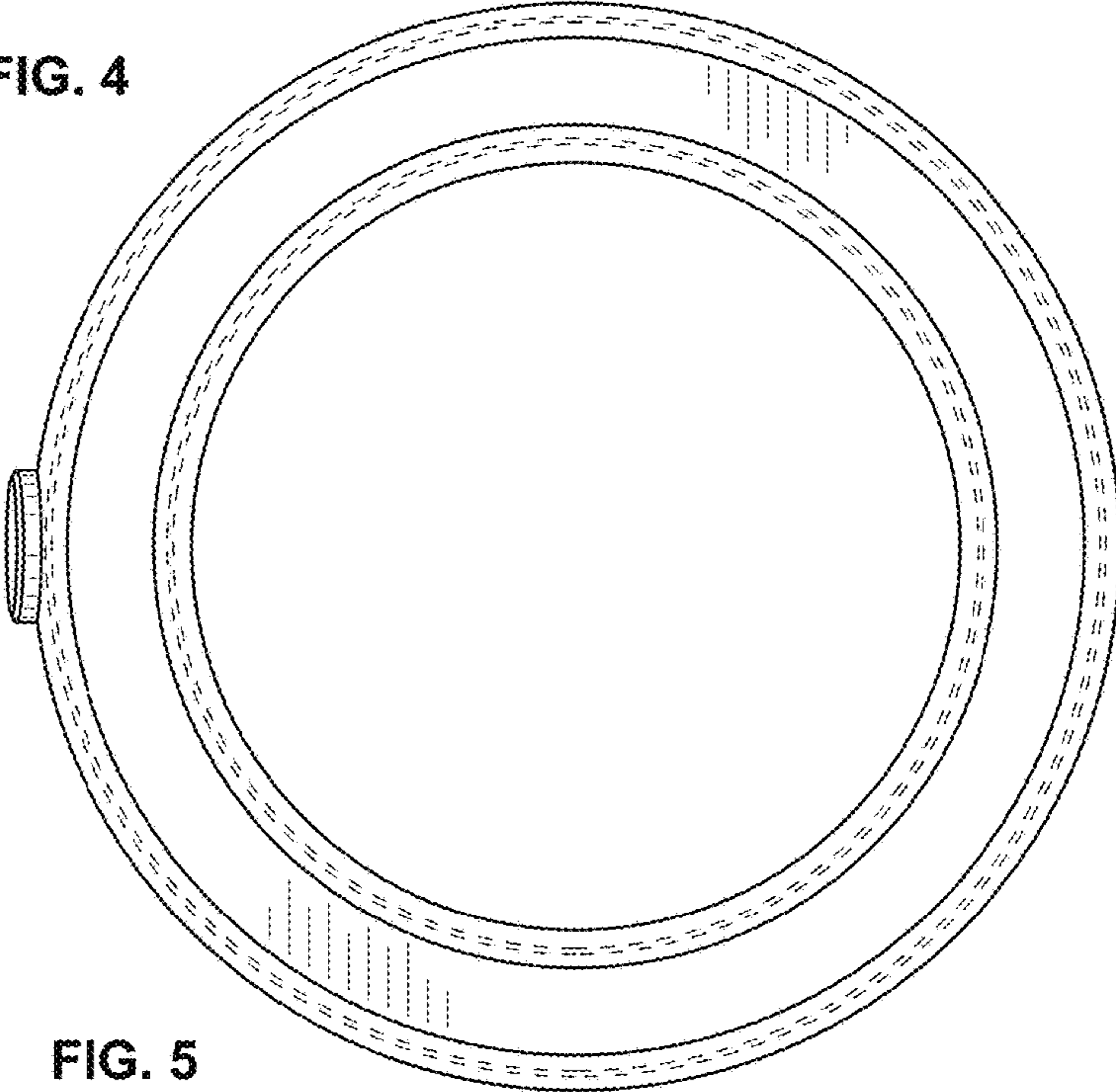


FIG. 5

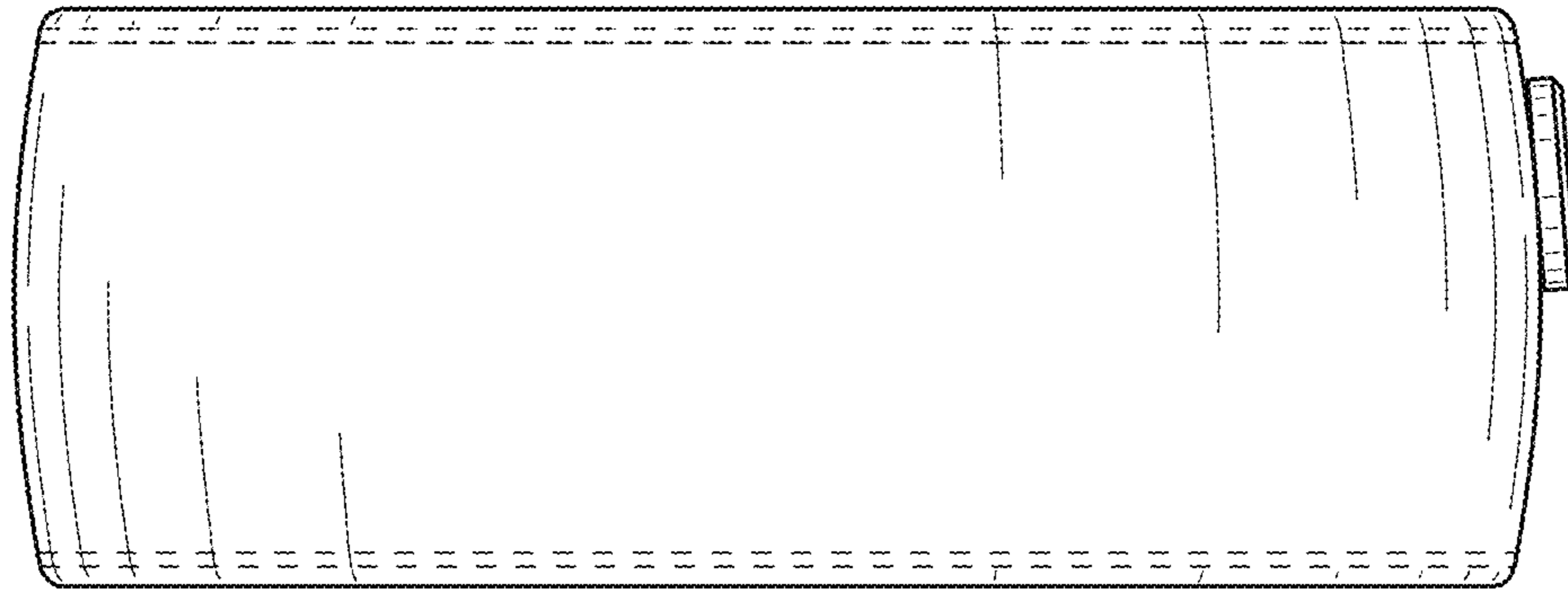


FIG. 6

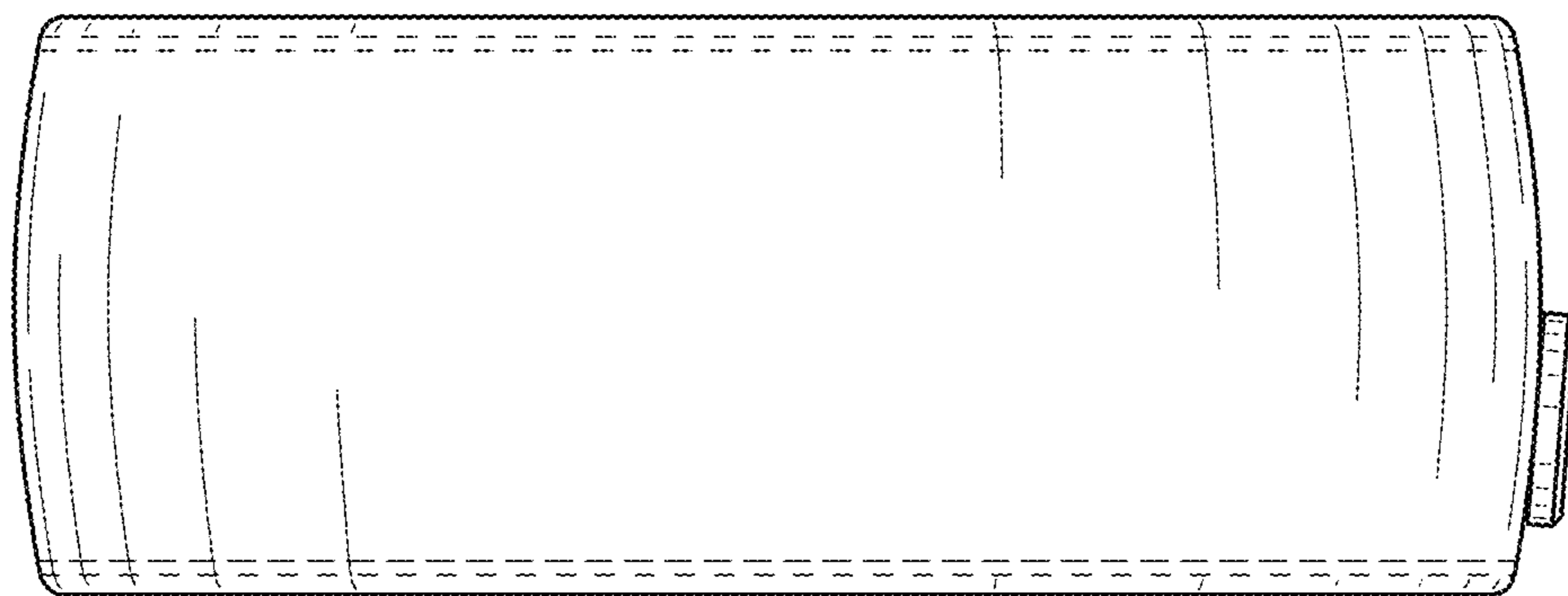


FIG. 7