



US00D832732S

(12) **United States Design Patent**
Hahn et al.

(10) **Patent No.:** **US D832,732 S**
(45) **Date of Patent:** **** Nov. 6, 2018**

- (54) **WATCH BAND ATTACHMENT**
- (71) Applicant: **Nomad Goods, Inc.**, Santa Barbara, CA (US)
- (72) Inventors: **Brian Hahn**, Summerland, CA (US);
Noah Dentzel, Summerland, CA (US);
Pete Ducato, Santa Barbara, CA (US);
Ryan Olson, Santa Barbara, CA (US)
- (73) Assignee: **Nomad Goods, Inc.**, Santa Barbara, CA (US)

D628,511 S * 12/2010 Wolfgang D11/94
 D647,000 S * 10/2011 Kerker D11/234
 8,967,437 B2 * 3/2015 Wilson A45F 5/00
 224/152

(Continued)

(**) Term: **15 Years**

(21) Appl. No.: **29/561,145**

(22) Filed: **Apr. 13, 2016**

(51) **LOC (11) Cl.** **10-07**

(52) **U.S. Cl.**
USPC **D10/128**

(58) **Field of Classification Search**
USPC D10/1-3, 30-39, 122-132; D11/1-3, 87,
D11/93-94; D14/344
See application file for complete search history.

(56) **References Cited**

U.S. PATENT DOCUMENTS

D53,974 S * 10/1919 Wadsworth D10/128
 2,713,445 A * 7/1955 Speck A44C 5/14
 24/265 B
 3,678,544 A * 7/1972 Bert A44C 5/14
 24/265 B
 3,889,323 A * 6/1975 Reith A44C 5/14
 224/177
 RE28,793 E * 5/1976 Bert A44C 5/14
 224/164
 4,432,476 A * 2/1984 Yokosuka A44C 5/14
 224/164
 D305,743 S * 1/1990 Hirsch D11/94

OTHER PUBLICATIONS

Click Wristband Adapters | posted at iphonelife.com Feb. 2016 © 2016 Mango Life Media, Inc. [online][site visited May 4, 2018]. Available from Internet: <<https://www.iphonelife.com/content/7-awesome-apple-watch-accessories>> p. 2 (Year: 2015).*

(Continued)

Primary Examiner — Sandra S Snapp
Assistant Examiner — Katherine Glennon
(74) *Attorney, Agent, or Firm* — SoCal IP Law Group
LLP; Steven C. Sereboff

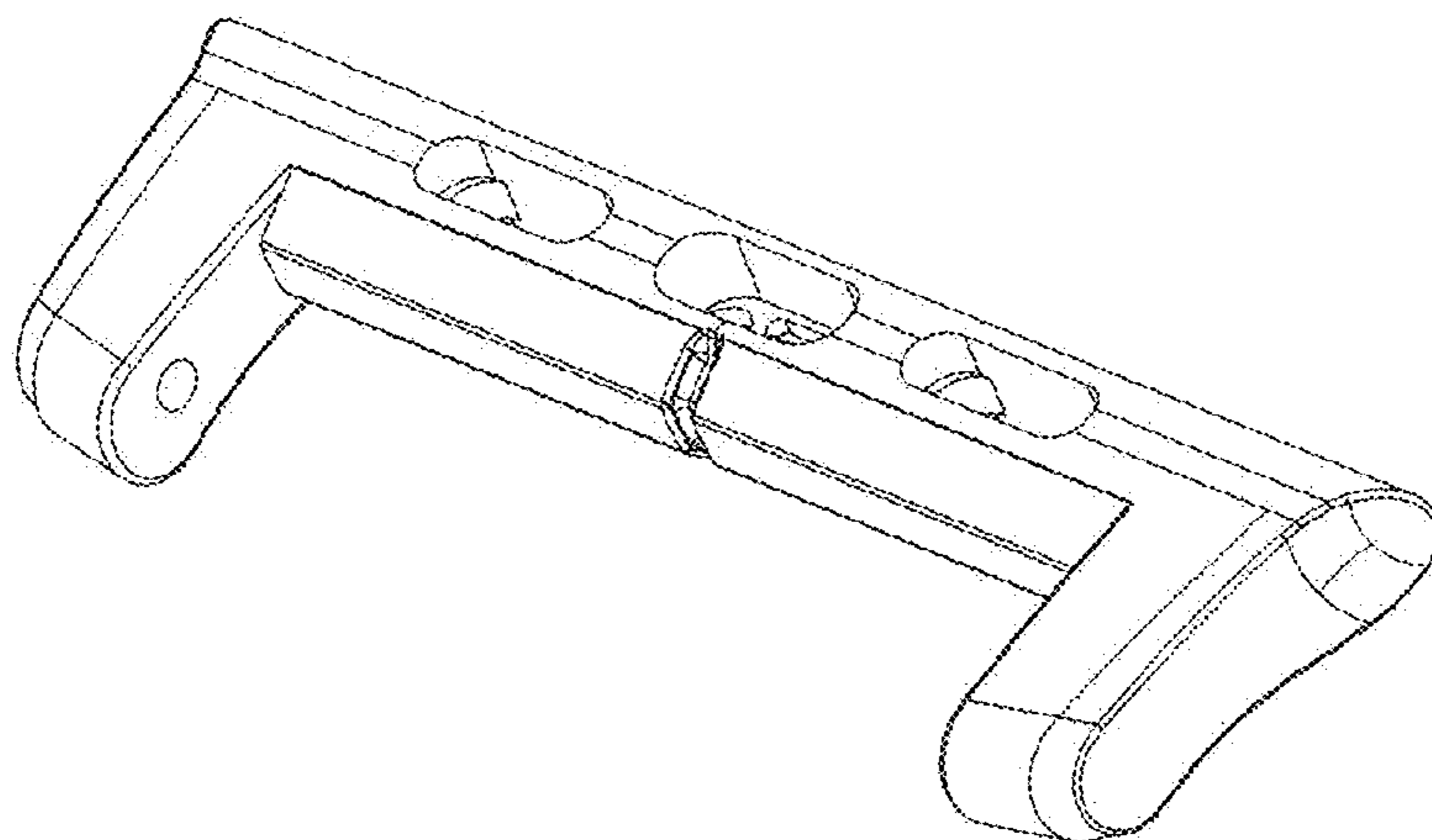
(57) **CLAIM**

We claim the ornamental design for a watch band attachment, as shown and described.

DESCRIPTION

FIG. 1 is a perspective view of a watch band attachment, showing our new design;
 FIG. 2 is a top plan view thereof;
 FIG. 3 is a bottom plan view thereof;
 FIG. 4 is a right elevational view thereof;
 FIG. 5 is a left elevational view thereof;
 FIG. 6 is a front elevational view thereof;
 FIG. 7 is a back elevational view thereof; and,
 FIG. 8 is a perspective view thereof in an environment in which it may be used.
 The broken lines in FIG. 3 show portions of the watch band attachment that form no part of the claimed design. The broken lines showing the watch, watch band, and second watch band attachment are for environmental purposes and form no part of the claimed design.

1 Claim, 8 Drawing Sheets



(56)

References Cited

U.S. PATENT DOCUMENTS

D769,146 S * 10/2016 Firth D10/128
D770,974 S * 11/2016 Dentzel D13/108
D787,981 S * 5/2017 Hahn D11/237
D798,189 S * 9/2017 Nielsen D10/128
D807,777 S * 1/2018 Lowe D11/94
9,877,549 B2 * 1/2018 Perkins A44B 17/0011
9,894,964 B2 * 2/2018 Perkins A44C 5/14
D815,089 S * 4/2018 Grening D14/344
2013/0152542 A1 * 6/2013 Kaltenrieder A44C 5/185
59/82
2014/0083133 A1 * 3/2014 Lee A44C 5/14
63/3.1
2015/0107299 A1 * 4/2015 Knuchel A44C 5/02
63/3.2
2016/0037877 A1 * 2/2016 Perkins A44C 5/14
224/164
2016/0206056 A1 * 7/2016 Pluemer A44C 5/20
2017/0086538 A1 * 3/2017 Siahaan A44C 5/14
2017/0185044 A1 * 6/2017 Nicolas G04B 37/1486
2018/0084873 A1 * 3/2018 Kallman A44C 5/14

OTHER PUBLICATIONS

Jiafeng Watch Band Adapter | posted at amazon.com; review date Jun. 2015 © 1996-2018, Amazon.com, Inc.[online][site visited May 4, 2018]. Available from Internet: <<https://www.amazon.com/JIAFENG-Watch-Adapter-Connection-iwatch/dp/B00XWCG6VA>> (Year: 2015).*

Nomad Traditional Strap | posted at hellonomad.com n.d. Nomad® 2018 Nomad Goods, Inc. [online][site visited May 4, 2018]. Available from Internet: <<https://www.hellonomad.com/leather-strap-traditional-rustic-brown-silver-hardware>> (Year: 2018).*

* cited by examiner

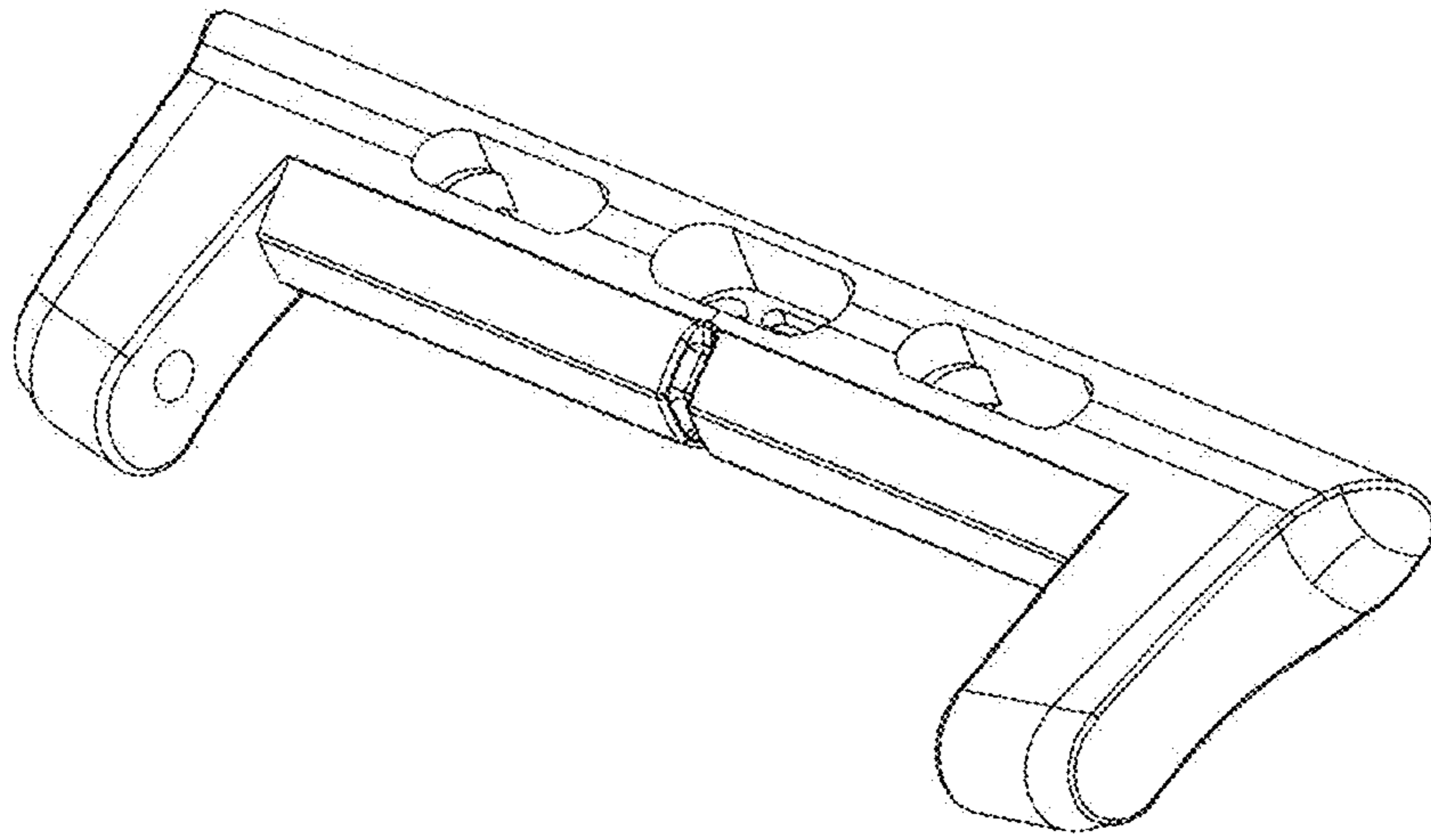


FIG. 1

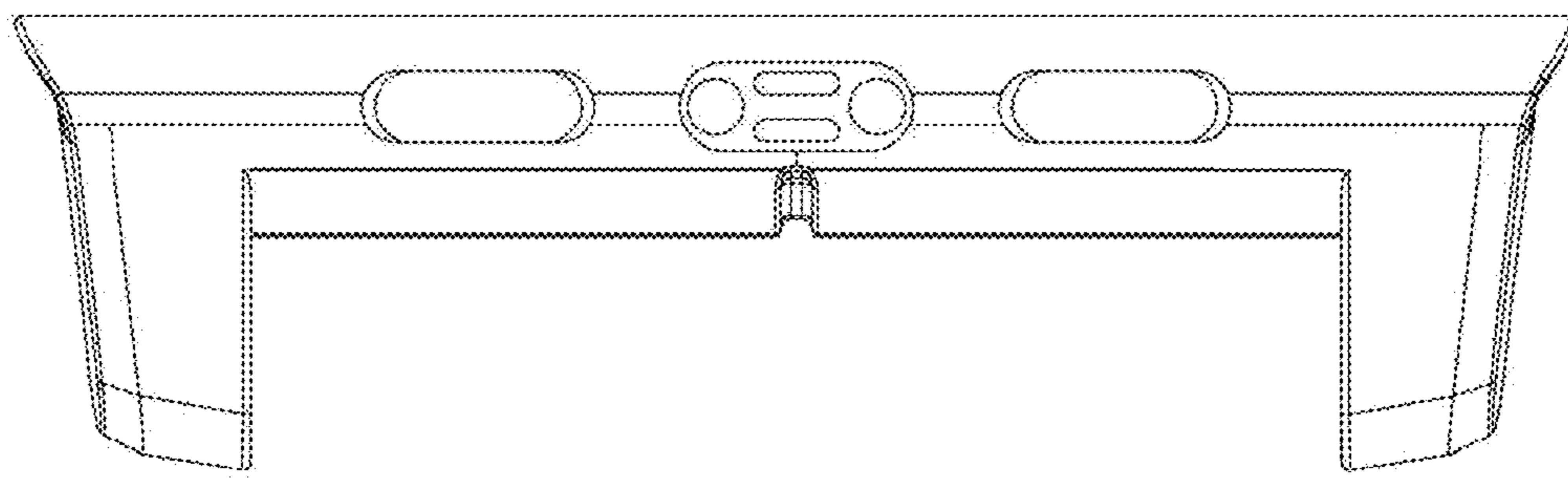


FIG. 2

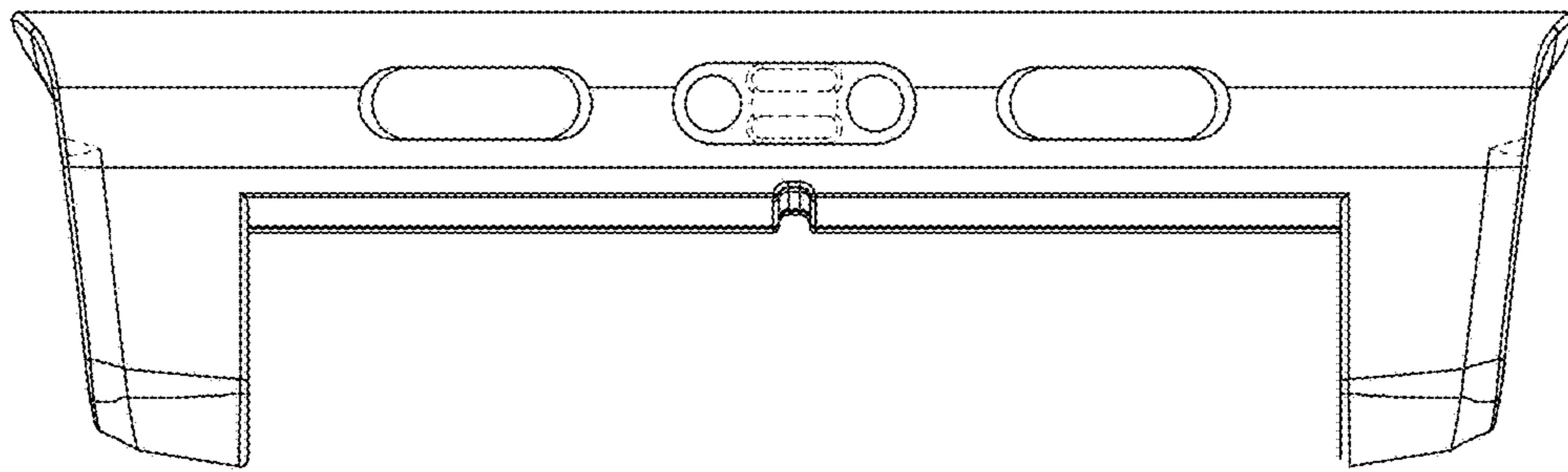


FIG. 3

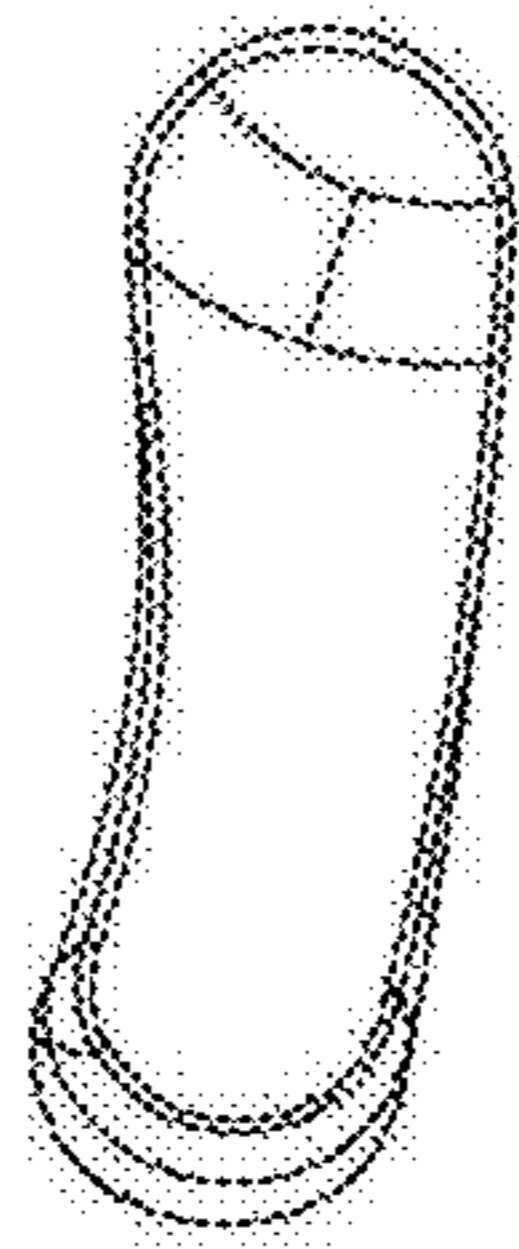


FIG. 4

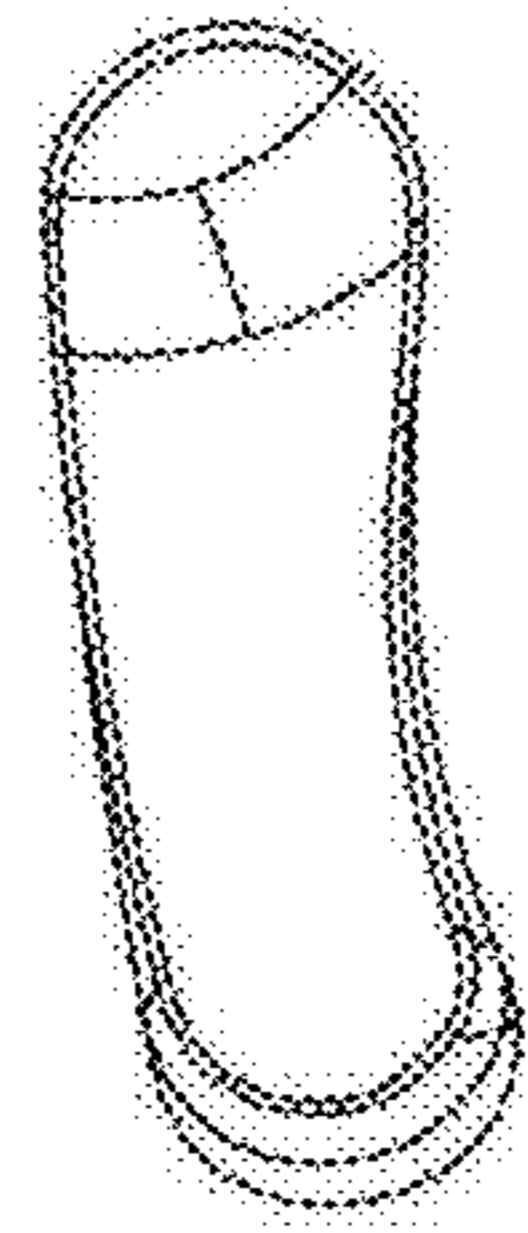


FIG. 5

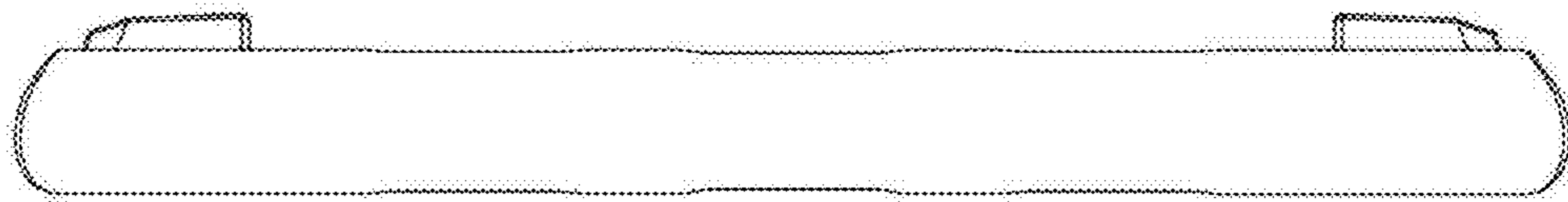


FIG. 6

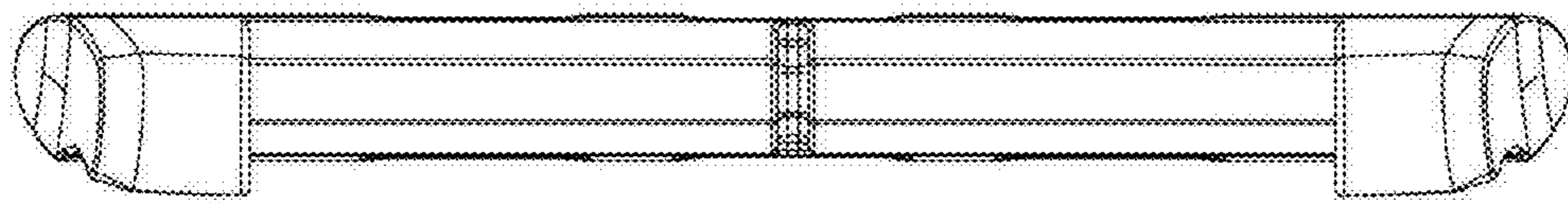


FIG. 7

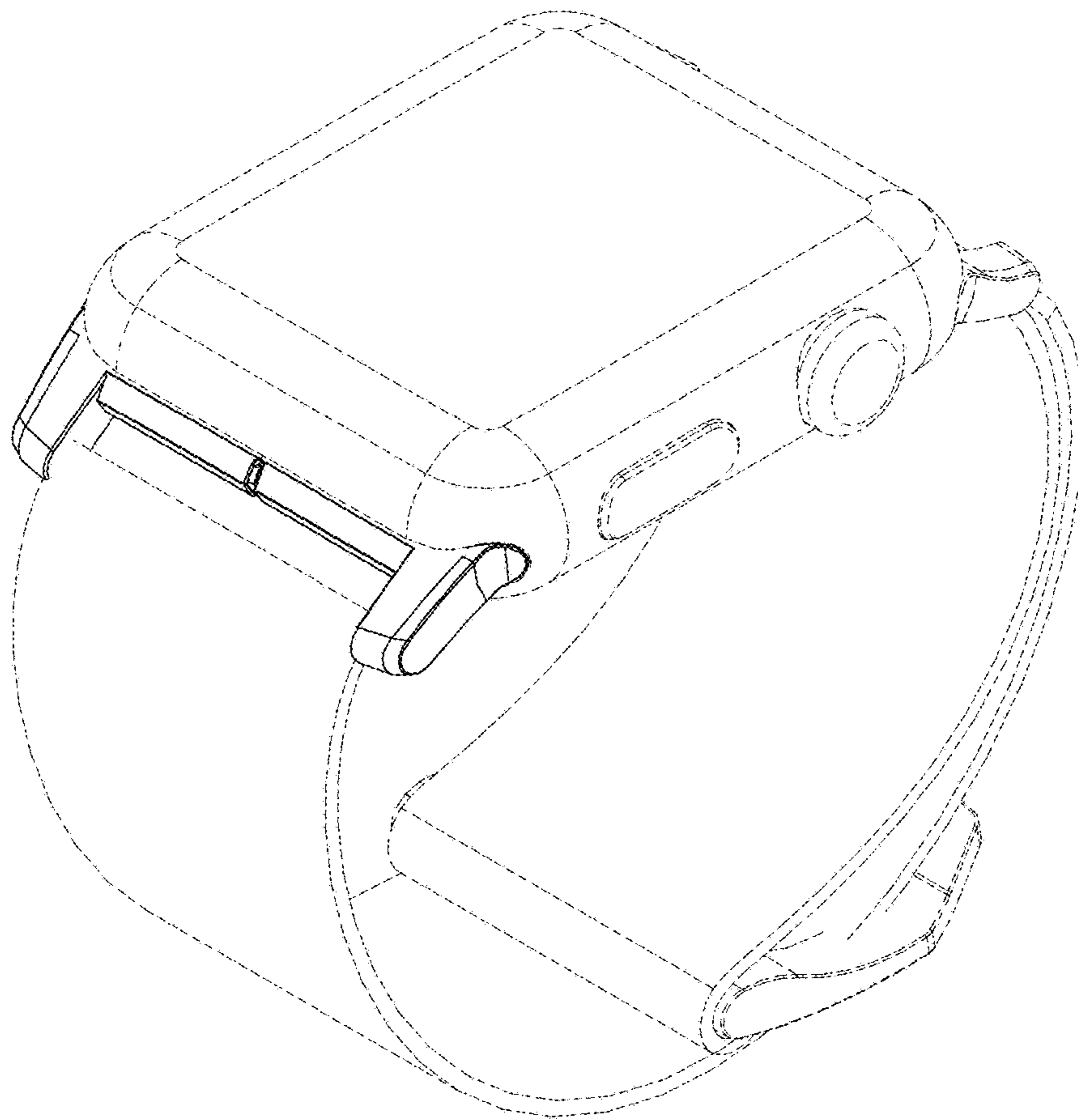


FIG. 8