



US00D832728S

(12) **United States Design Patent** (10) **Patent No.:** **US D832,728 S**
Piccoli (45) **Date of Patent:** **** Nov. 6, 2018**

(54) **PRODUCT SECURITY DEVICE**

(71) Applicant: **CHECKPOINT SYSTEMS, INC.**,
Thorofare, NJ (US)

(72) Inventor: **Anthony F. Piccoli**, West Deptford, NJ
(US)

(73) Assignee: **CHECKPOINT SYSTEMS, INC.**,
Thorofare, NJ (US)

(**) Term: **15 Years**

(21) Appl. No.: **29/599,791**

(22) Filed: **Apr. 6, 2017**

(51) **LOC (11) Cl.** **10-05**

(52) **U.S. Cl.**
USPC **D10/106.91**

(58) **Field of Classification Search**
USPC D10/65, 70, 104.1, 106.1, 106.9, 106.91,
D10/106.92, 106.93, 121; D14/137, 230,
D14/496

(Continued)

(56) **References Cited**

U.S. PATENT DOCUMENTS

D303,223 S * 9/1989 Issa D10/106.1

D312,423 S * 11/1990 Orlinsky D10/106.1

(Continued)

Primary Examiner — George D. Kirschbaum

Assistant Examiner — Joseph J Kukella

(74) *Attorney, Agent, or Firm* — McDonald Hopkins LLC

(57) **CLAIM**

The ornamental design for an product security device, as shown and described.

DESCRIPTION

FIG. 1 is a perspective view of a product security device in a closed position in accordance with an embodiment of the present invention;

FIG. 2 is a front view of the product security device of FIG. 1 in the closed position;

FIG. 3 is a rear view of the product security device of FIG. 1 in the closed position;

FIG. 4 is a right side view of the product security device of FIG. 1 in the closed position;

FIG. 5 is a left side view of the product security device of FIG. 1 in the closed position;

FIG. 6 is a top view of the product security device of FIG. 1 in the closed position;

FIG. 7 is a bottom view of the product security device of FIG. 1 in the closed position;

FIG. 8 is a perspective view of the product security device of FIG. 1 in an open position;

FIG. 9 is a right side view of the product security device of FIG. 1 in the open position;

FIG. 10 is a perspective view of a front component of the product security device of FIG. 1;

FIG. 11 is a front view of the front component of the product security device of FIG. 1;

FIG. 12 is a rear view of the front component of the product security device of FIG. 1;

FIG. 13 is a right side view of the front component of the product security device of FIG. 1;

FIG. 14 is a left side view of the front component of the product security device of FIG. 1;

FIG. 15 is a top view of the front component of the product security device of FIG. 1;

FIG. 16 is a bottom view of the front component of the product security device of FIG. 1;

FIG. 17 is a perspective view of a rear component of the product security device of FIG. 1;

FIG. 18 is a front view of the rear component of the product security device of FIG. 1;

FIG. 19 is a rear view of the rear component of the product security device of FIG. 1;

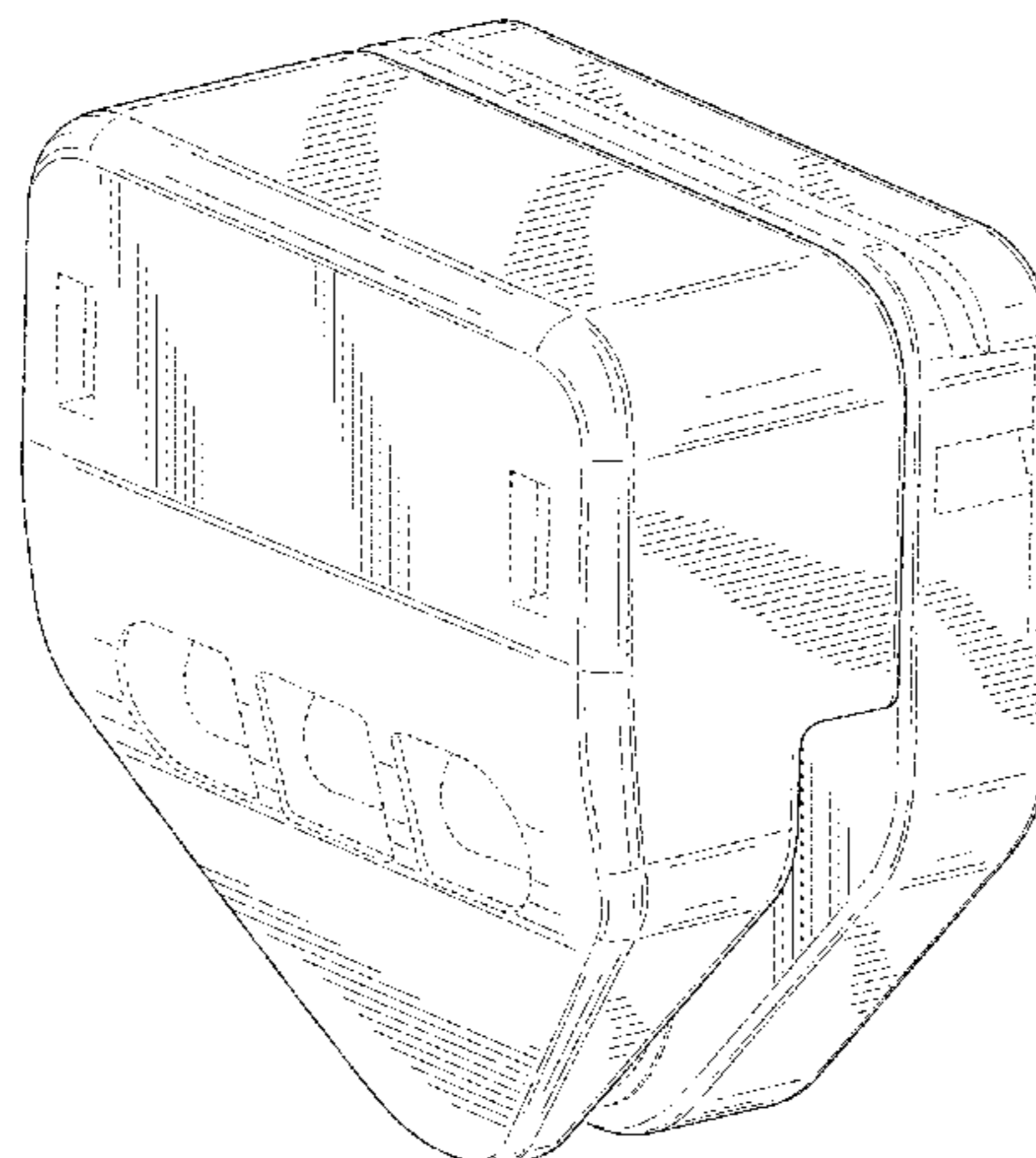
FIG. 20 is a right side view of the rear component of the product security device of FIG. 1;

FIG. 21 is a left side view of the rear component of the product security device of FIG. 1;

FIG. 22 is a top view of the rear component of the product security device of FIG. 1; and,

FIG. 23 is a bottom view of the rear component of the product security device of FIG. 1.

(Continued)



In the drawings, the broken lines depict portions of the product security tag that form no part of the claimed design.

1 Claim, 20 Drawing Sheets

(58) Field of Classification Search

CPC G08B 21/00; G08B 21/0261; G08B
21/0275; G08B 13/14; G08B 13/2434;
G09F 3/08

See application file for complete search history.

(56) References Cited

U.S. PATENT DOCUMENTS

D382,004 S *	8/1997	Bucci	D10/104.1
D419,067 S *	1/2000	Guillin	D9/425
D420,585 S *	2/2000	Guillin	D9/425
D460,012 S *	7/2002	Proulx	D10/106.9
D466,037 S *	11/2002	Huehner	D10/106.9
D474,417 S *	5/2003	Belden, Jr.	G08B 13/2434 D10/106.9
D601,884 S *	10/2009	Andre	D9/430
D616,738 S *	6/2010	Andre	D9/430
D626,022 S *	10/2010	Sayegh	D10/106.91
D773,324 S *	12/2016	Klein	D10/70
2017/0193777 A1 *	7/2017	Sayegh	G08B 13/2434

* cited by examiner

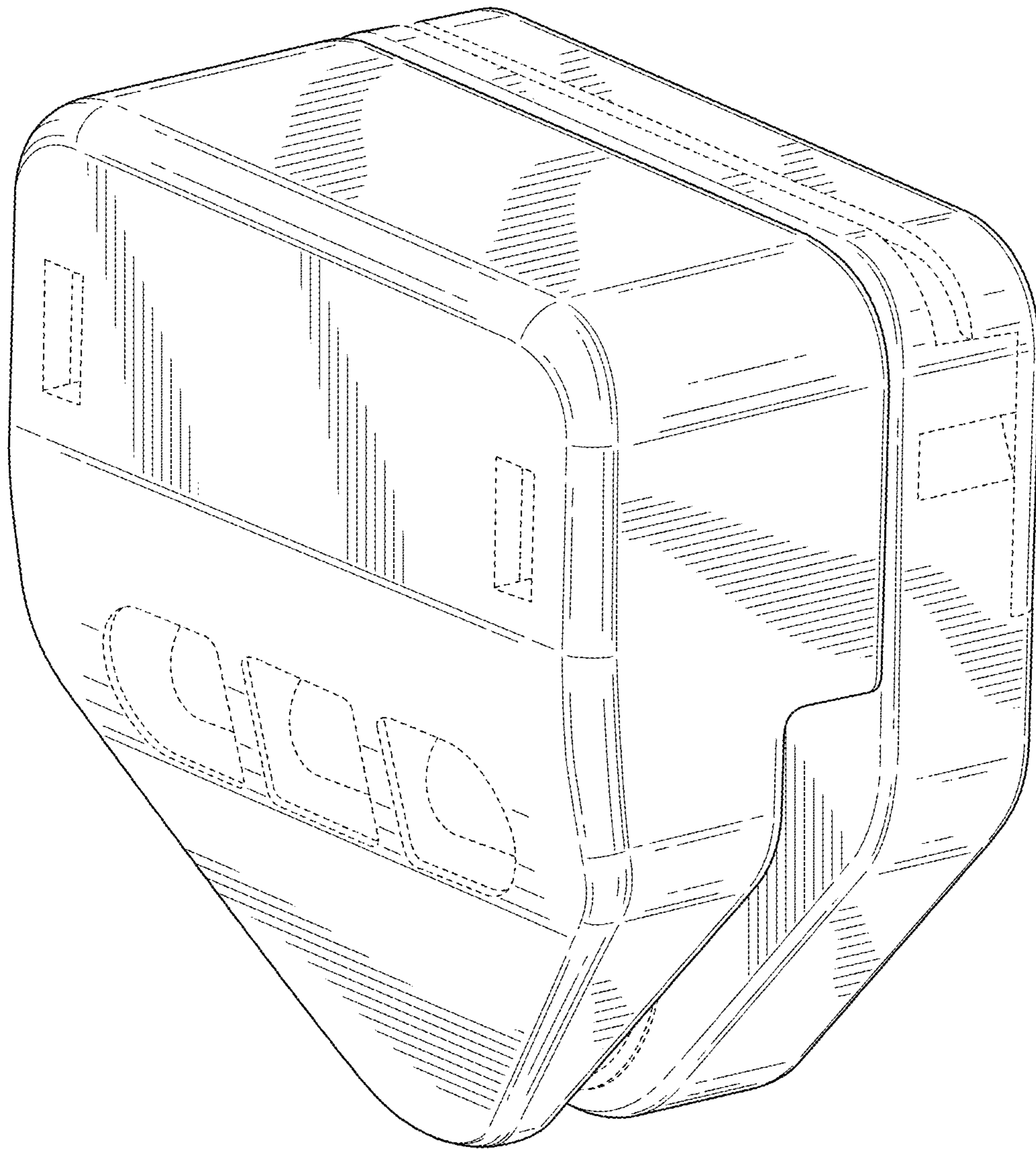


FIG. 1

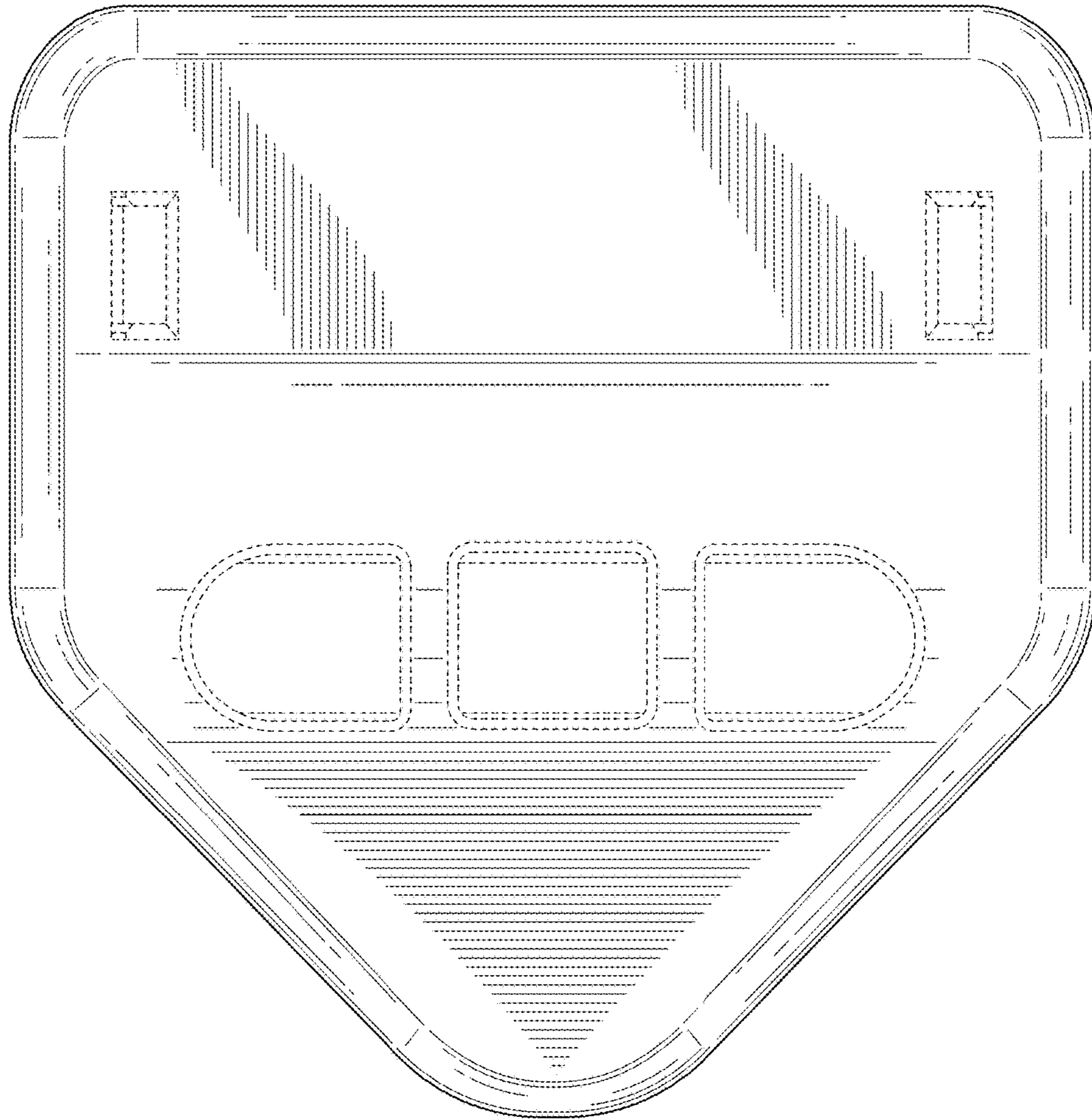


FIG. 2

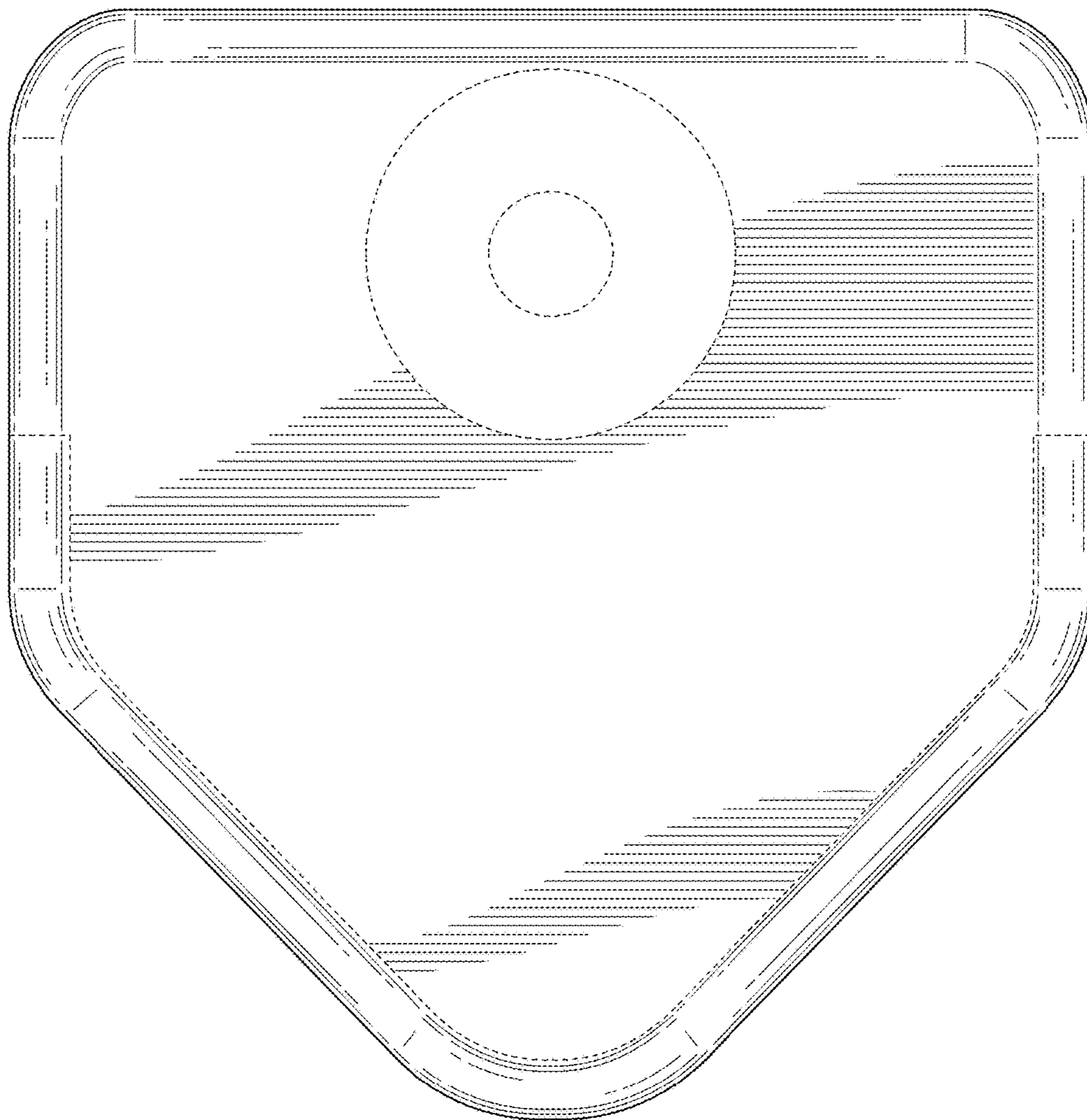


FIG. 3

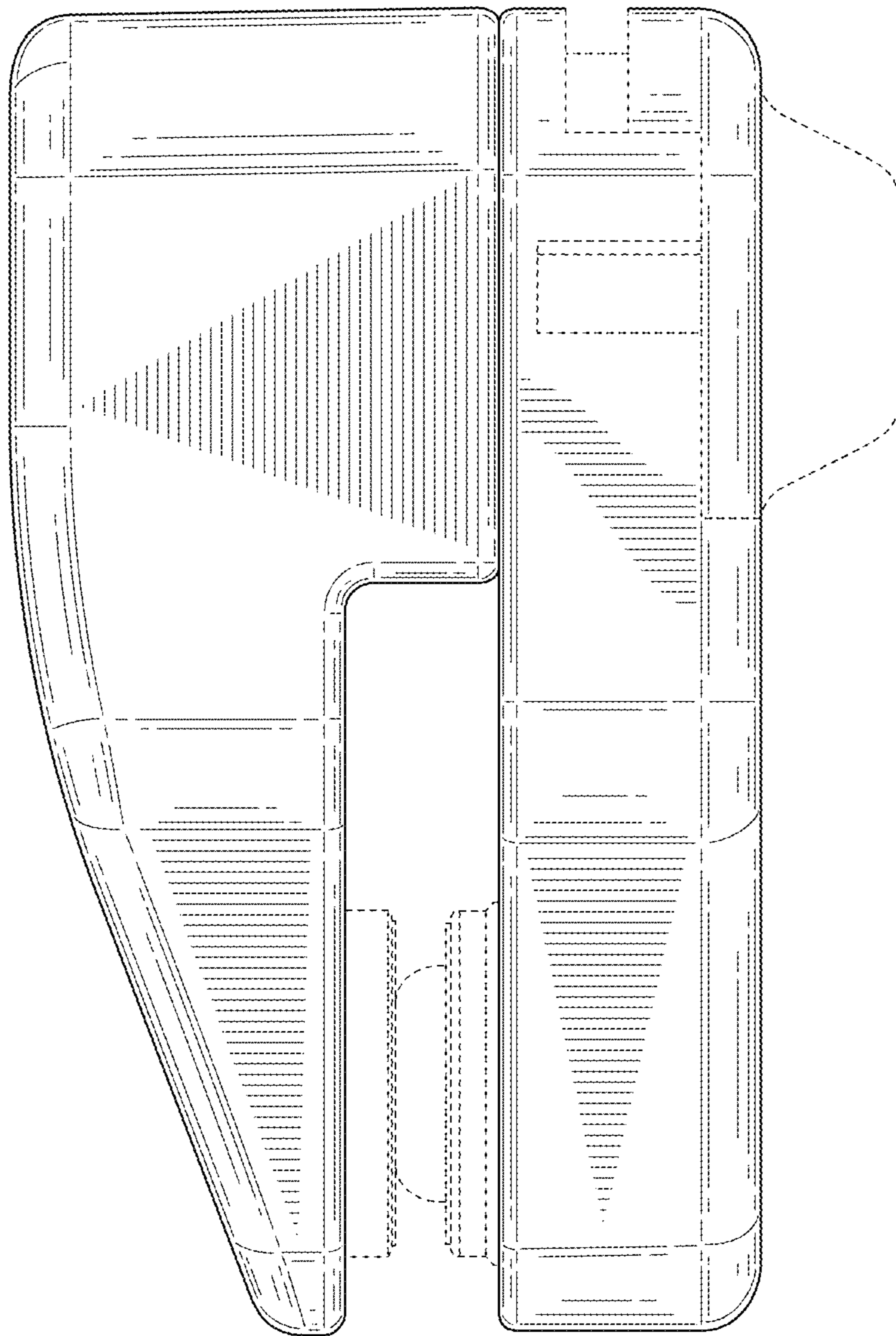


FIG. 4

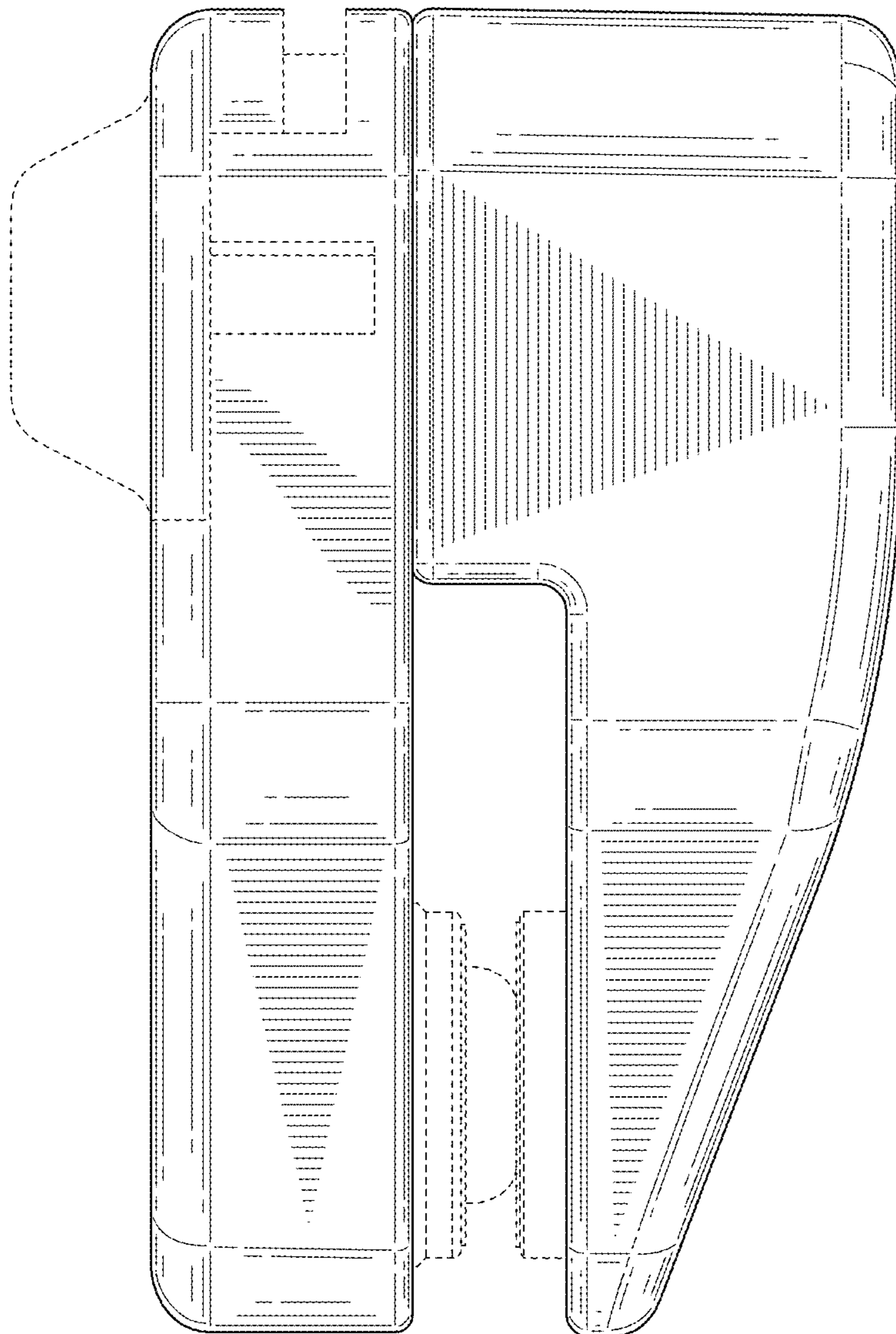


FIG. 5

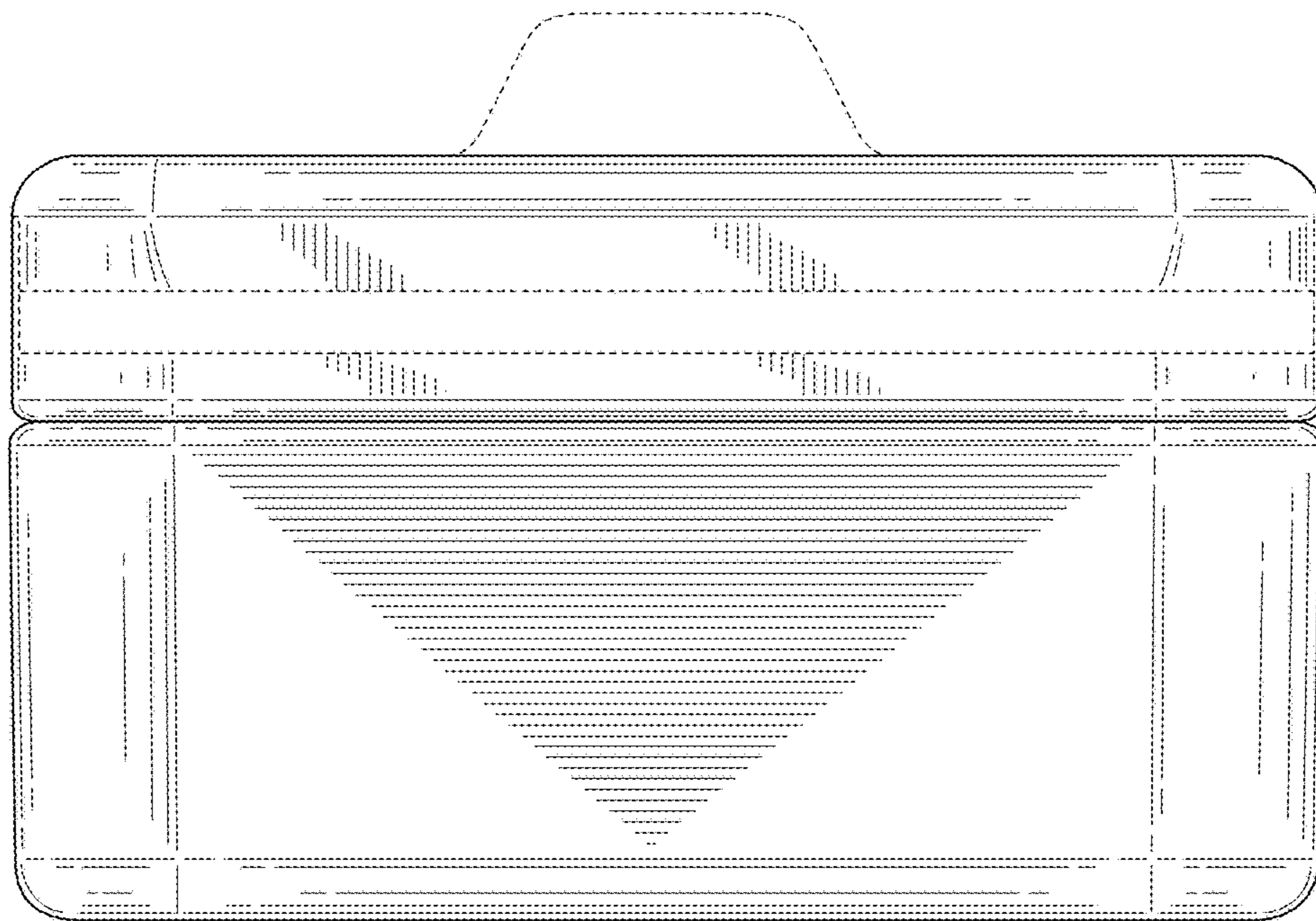


FIG. 6

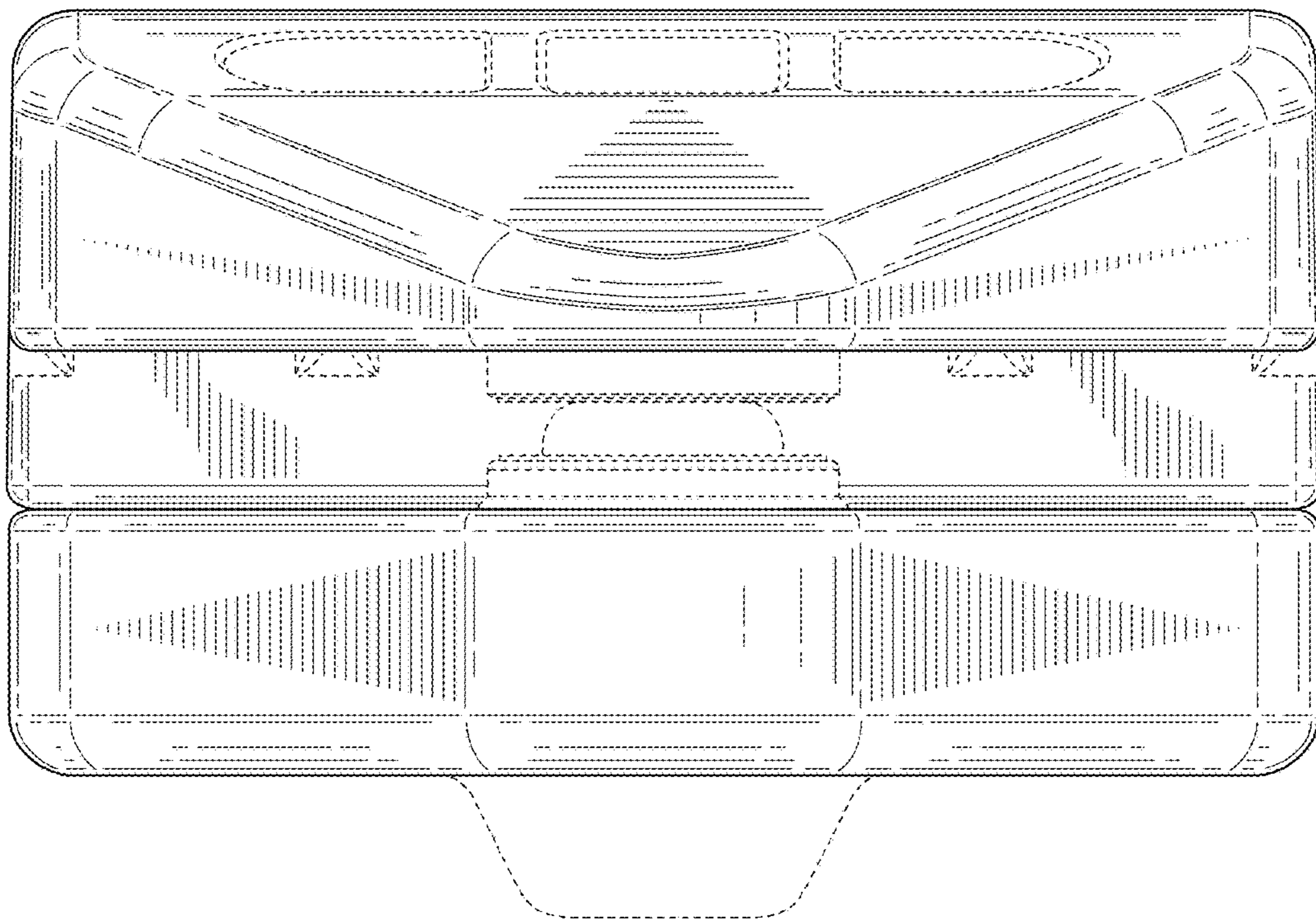


FIG. 7

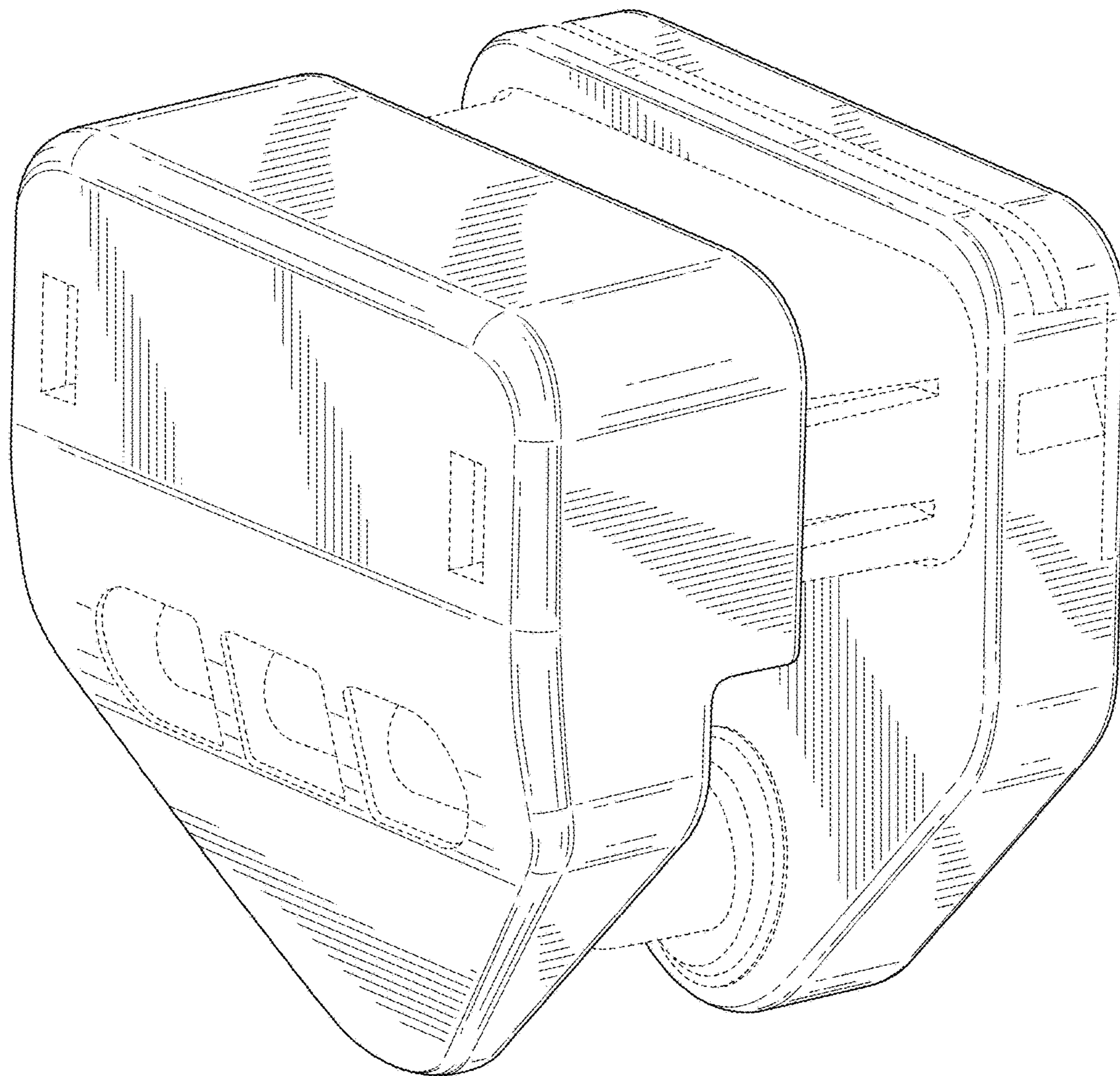


FIG. 8

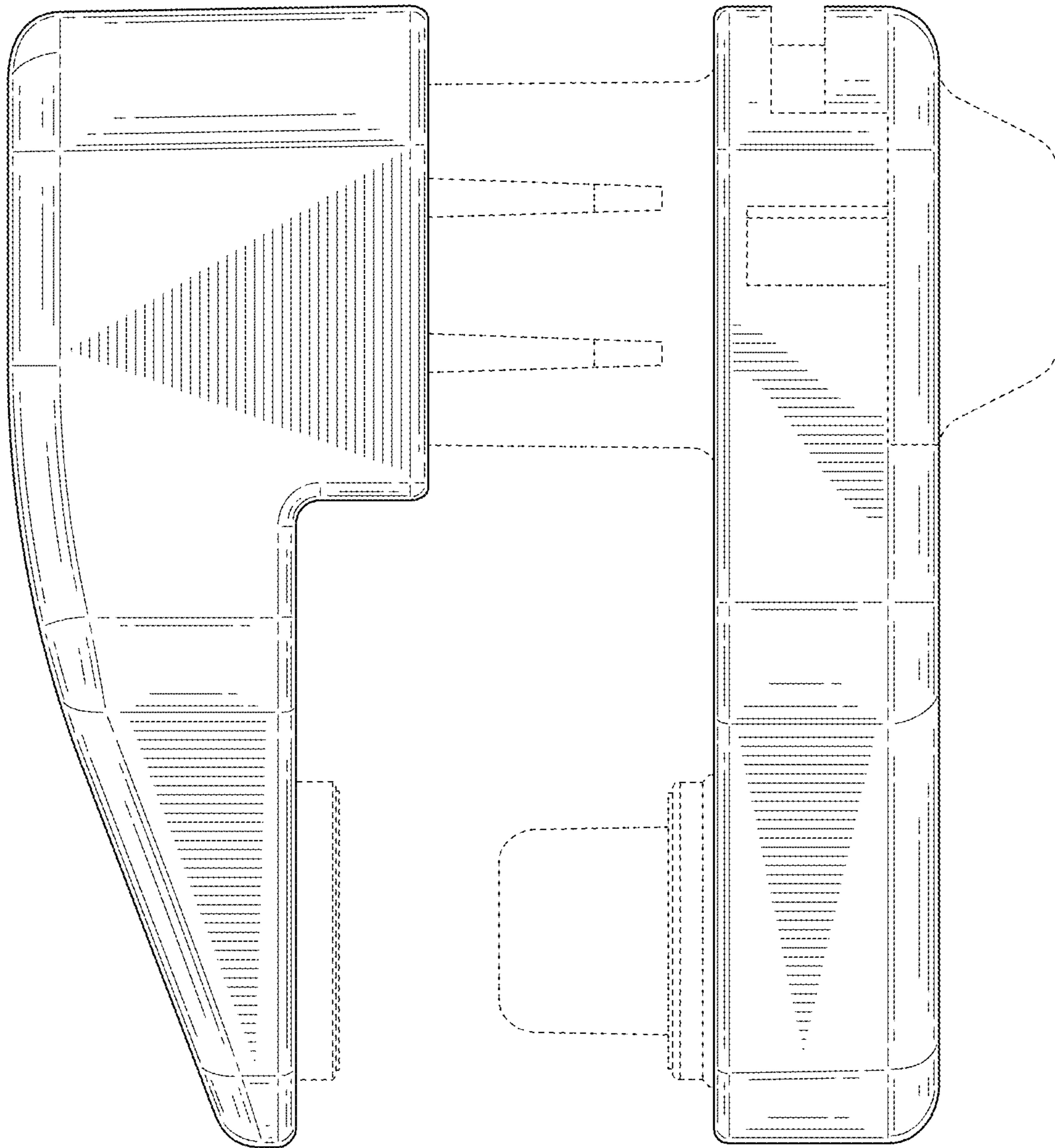


FIG. 9

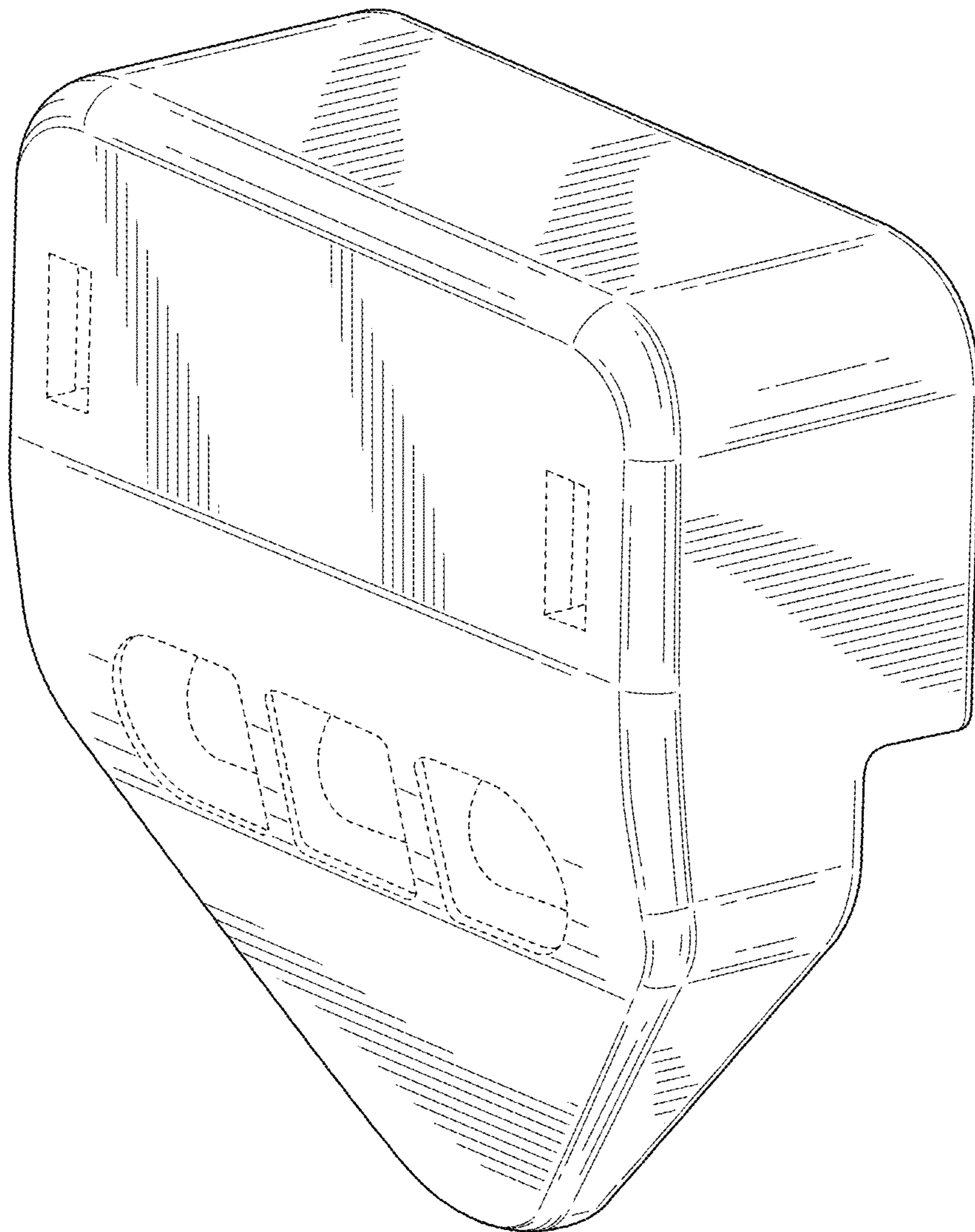


FIG. 10

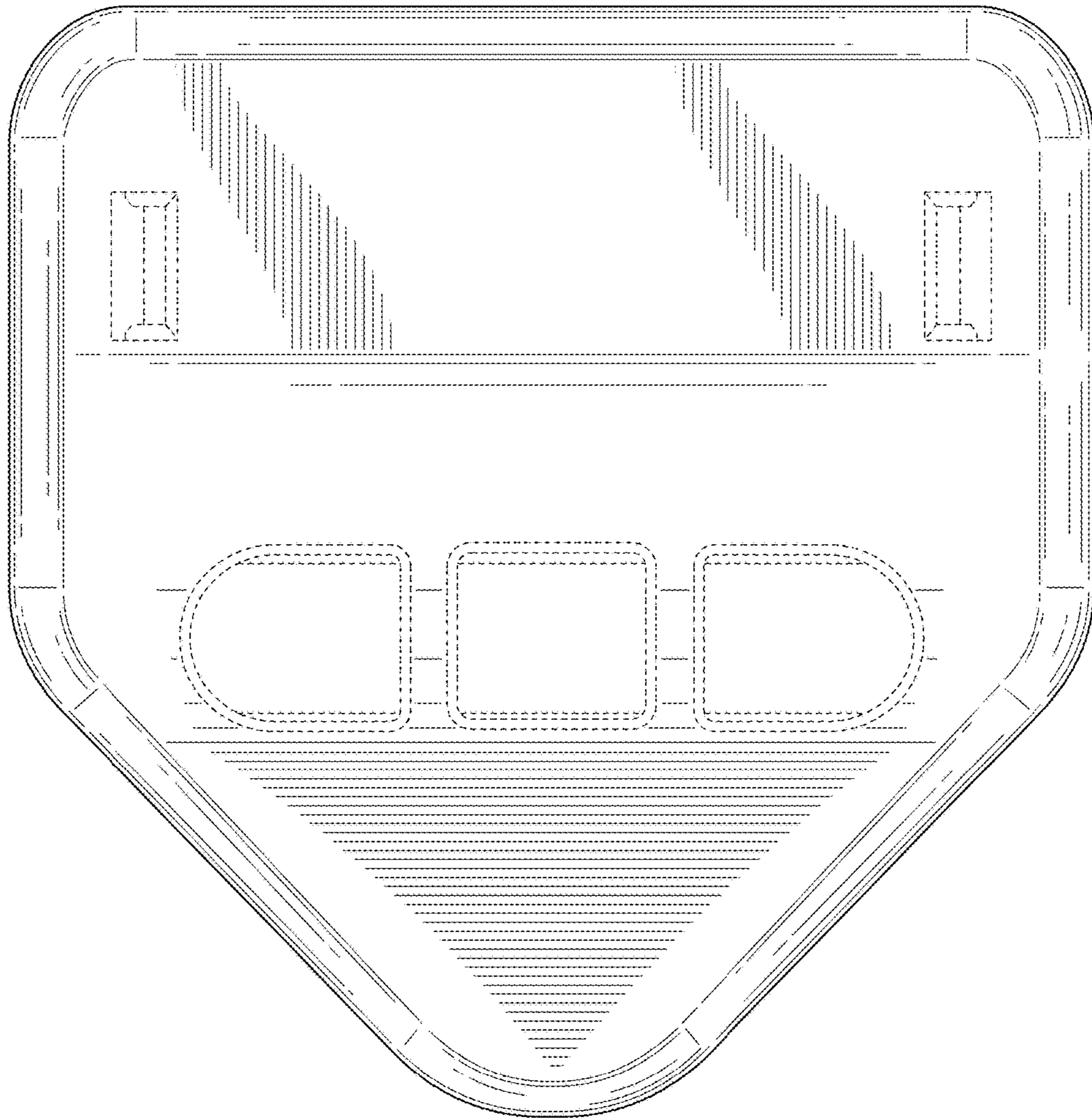


FIG. 11

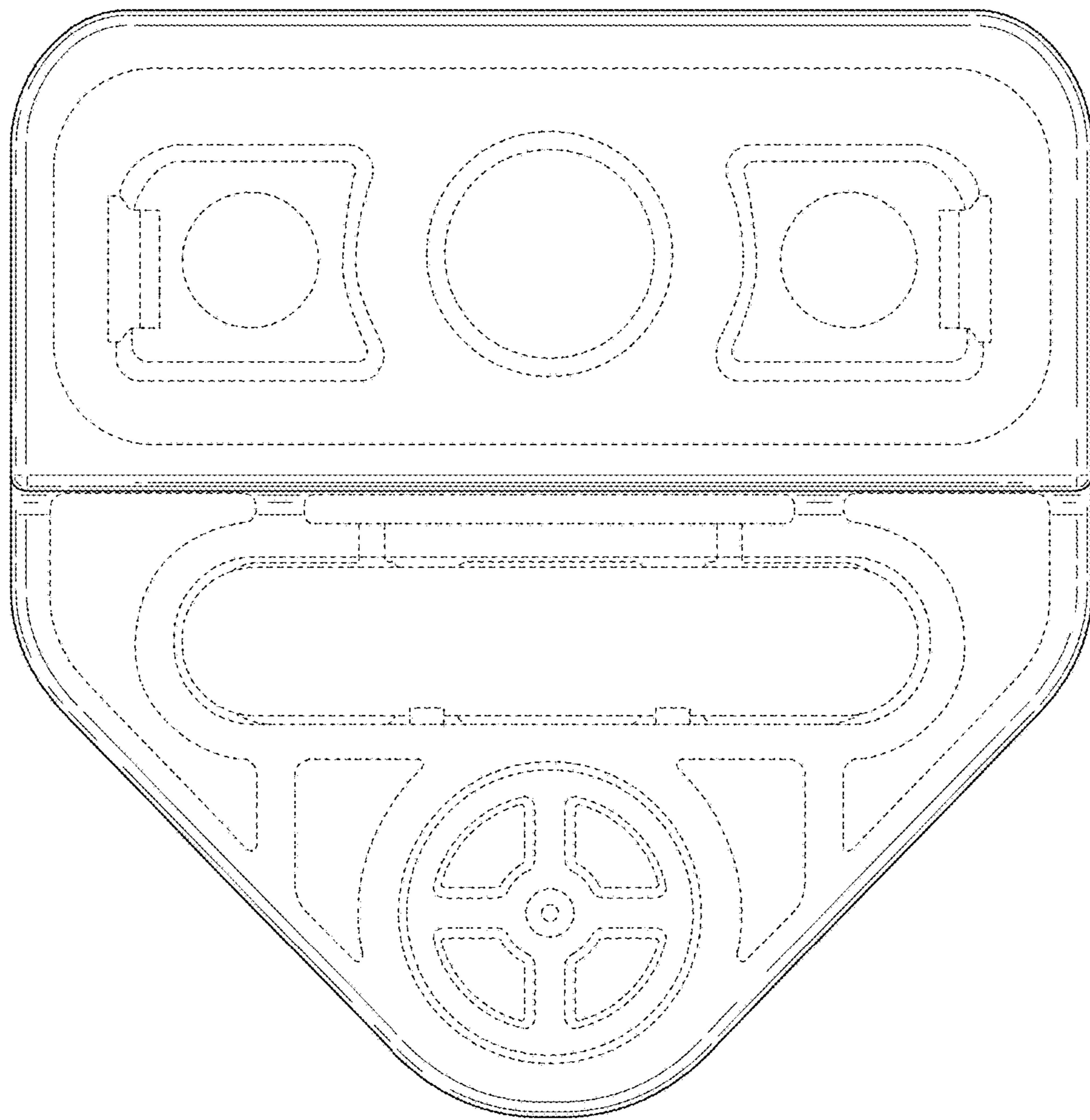


FIG. 12

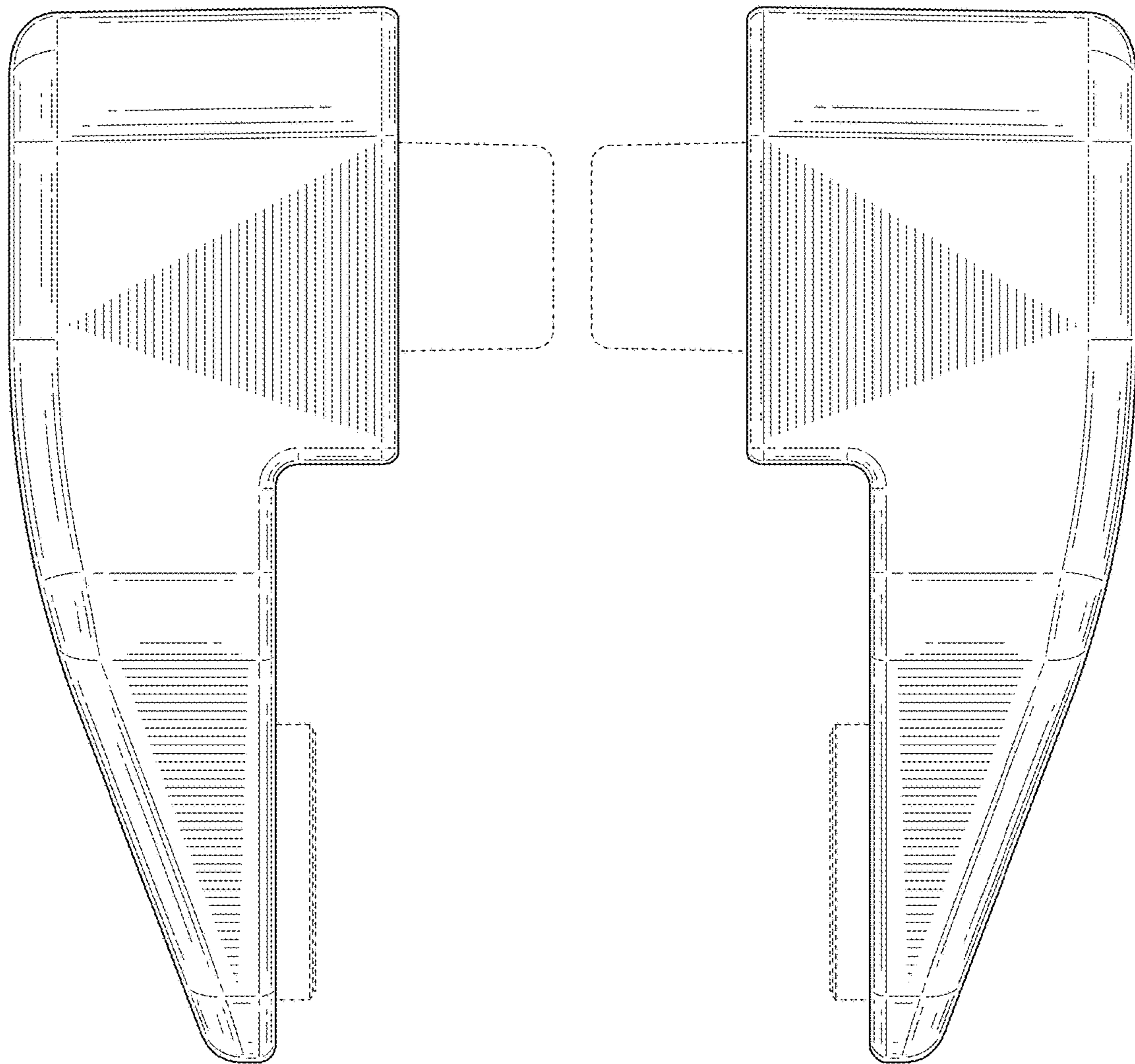


FIG. 13

FIG. 14

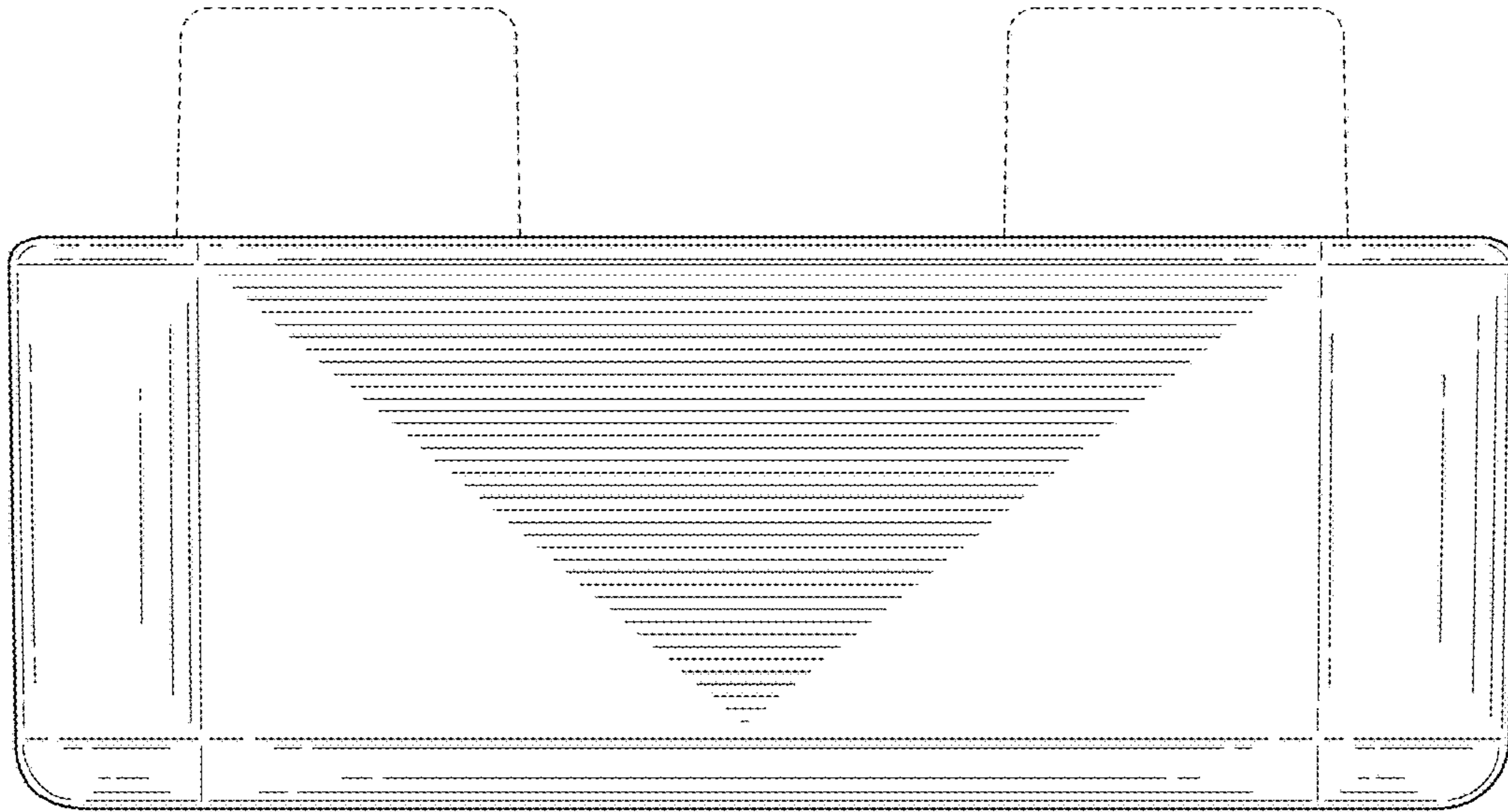


FIG. 15

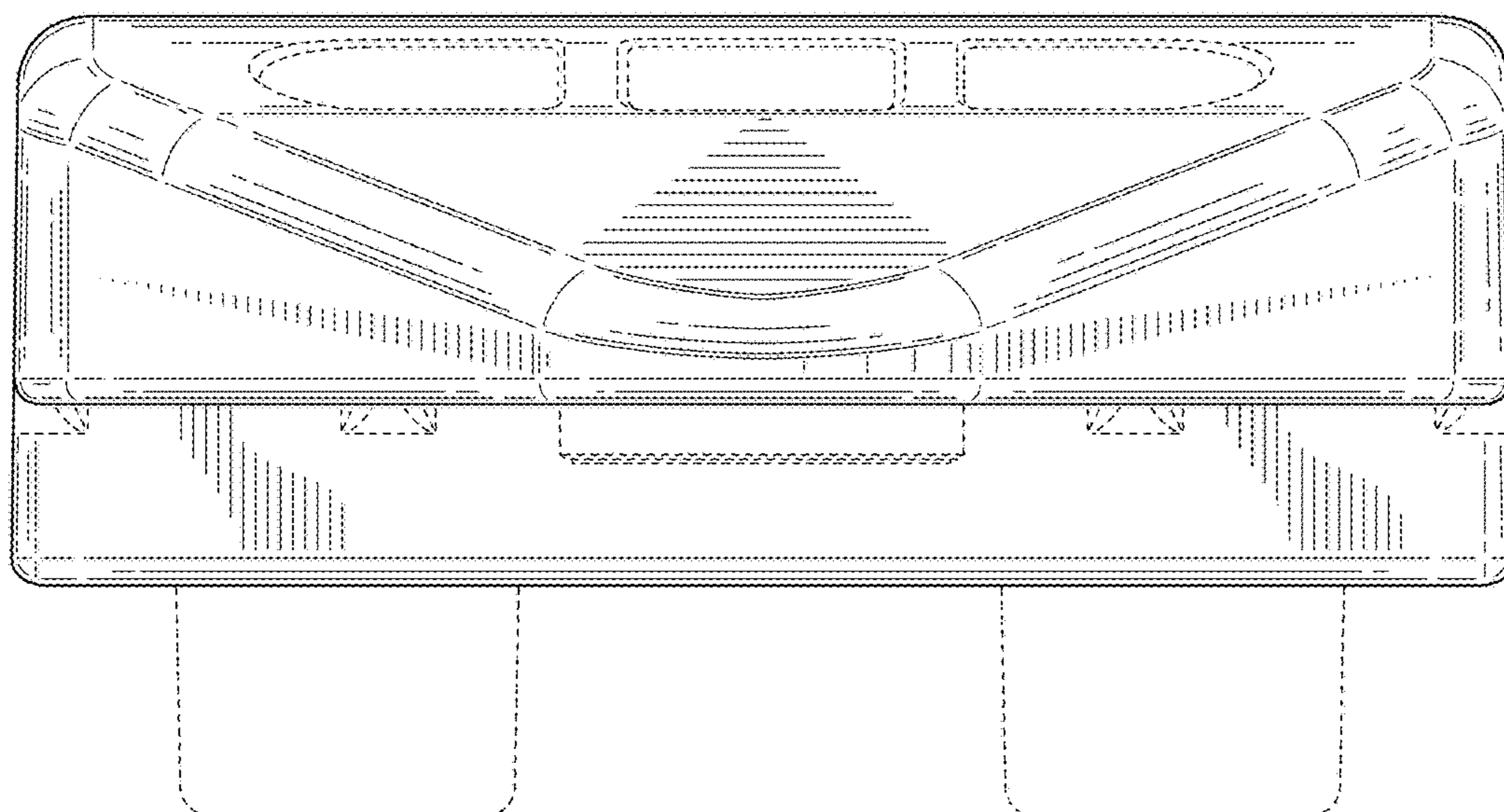


FIG. 16

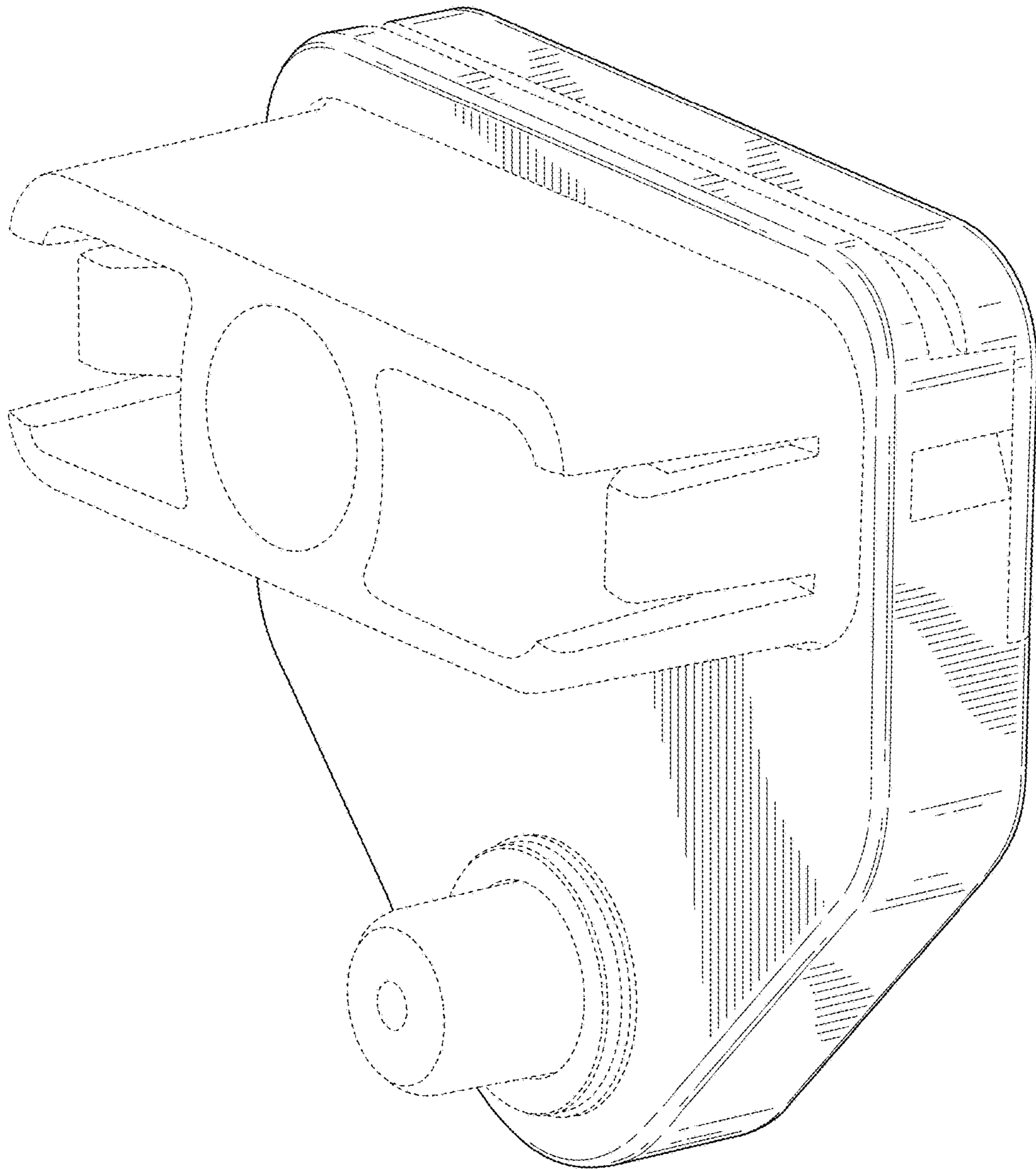


FIG. 17

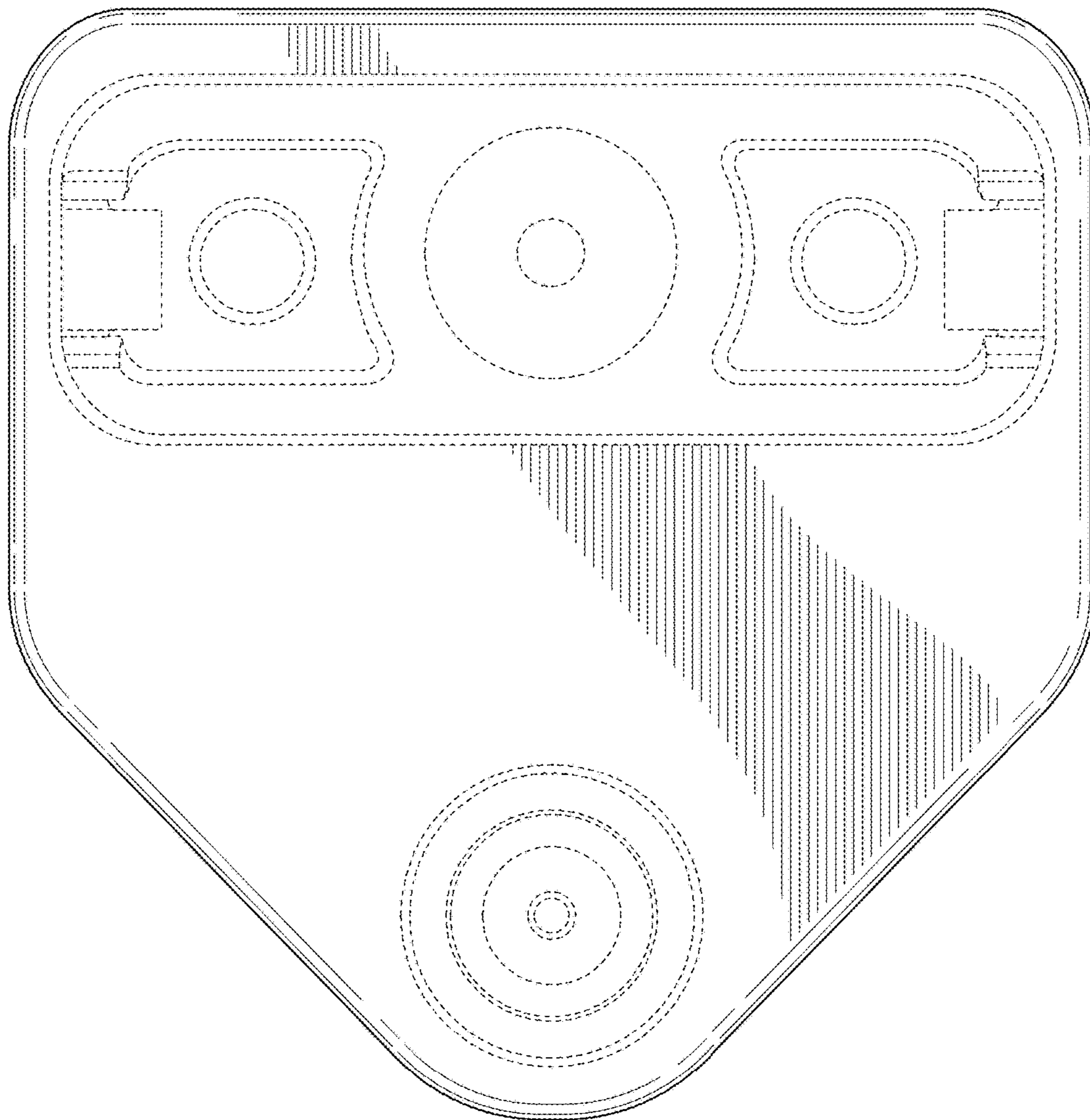


FIG. 18

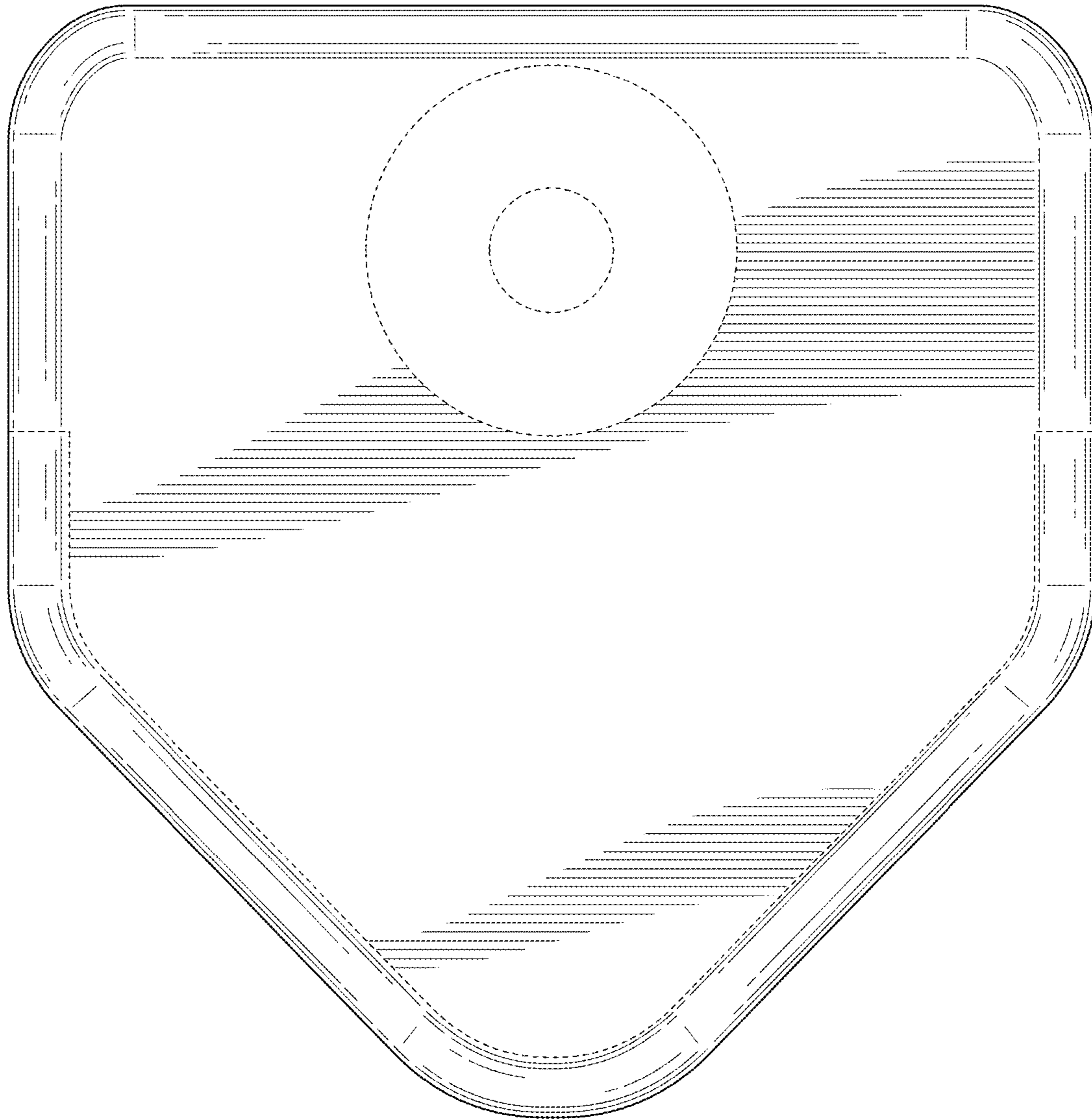


FIG. 19

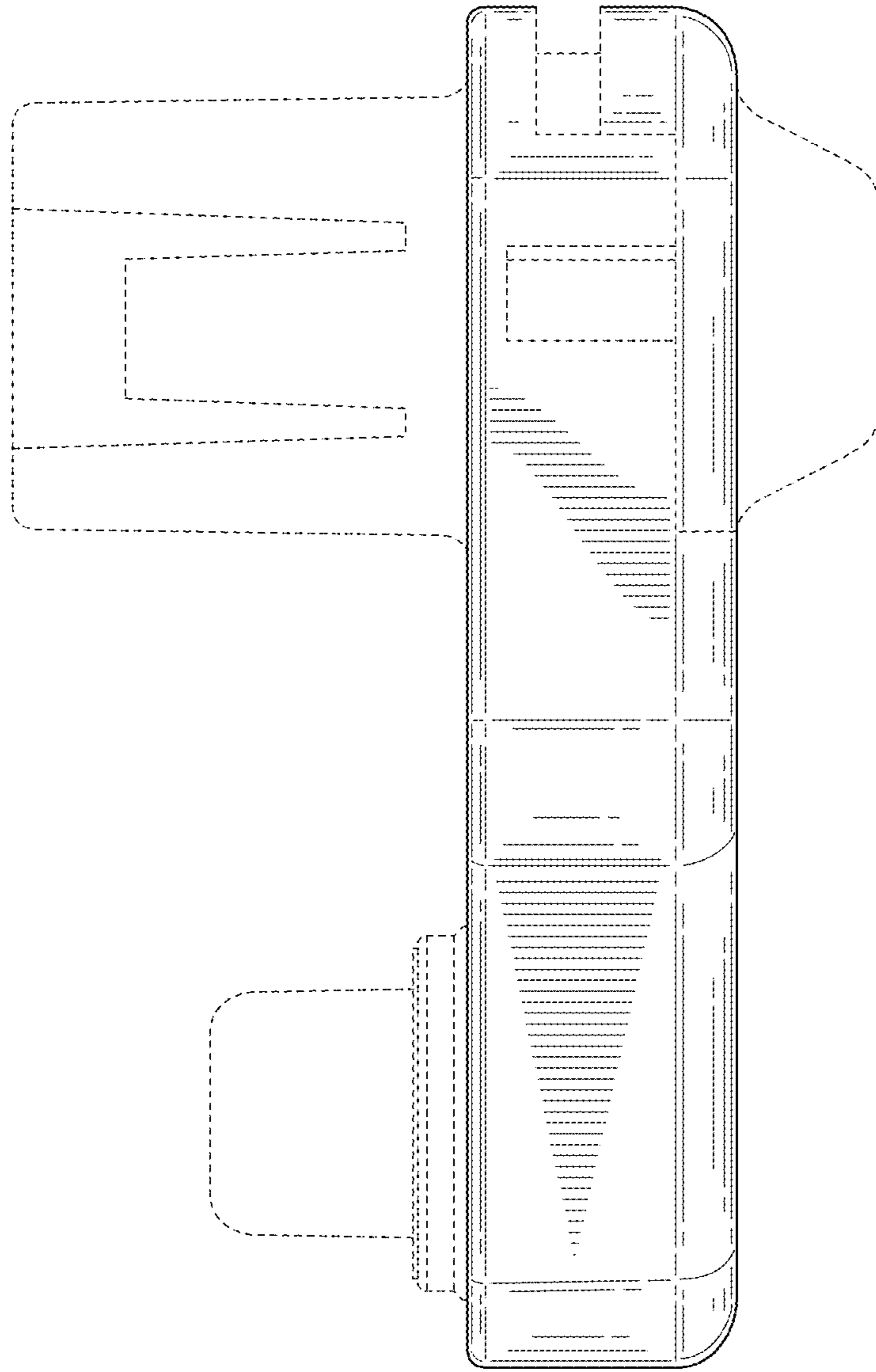


FIG. 20

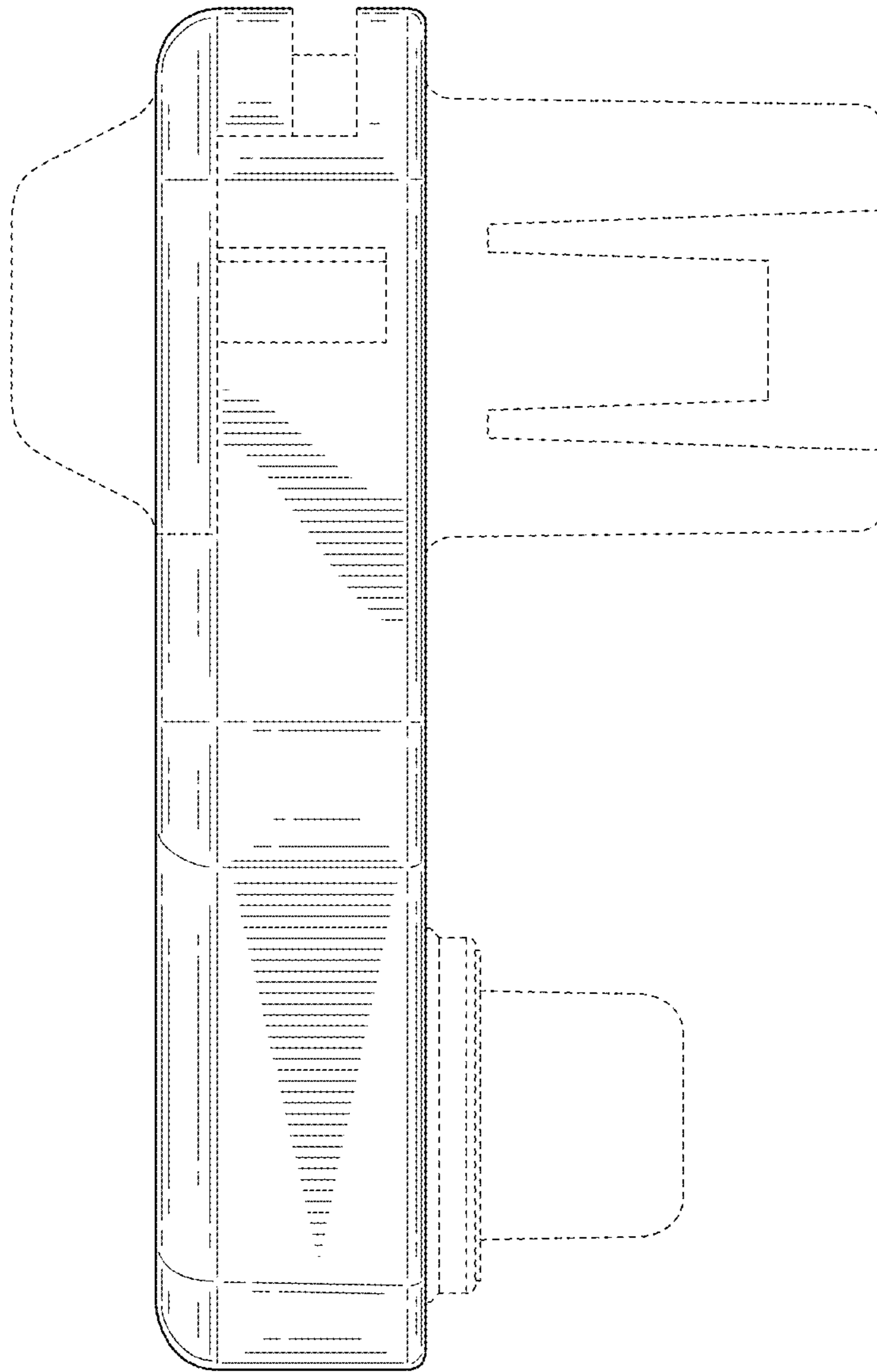


FIG. 21

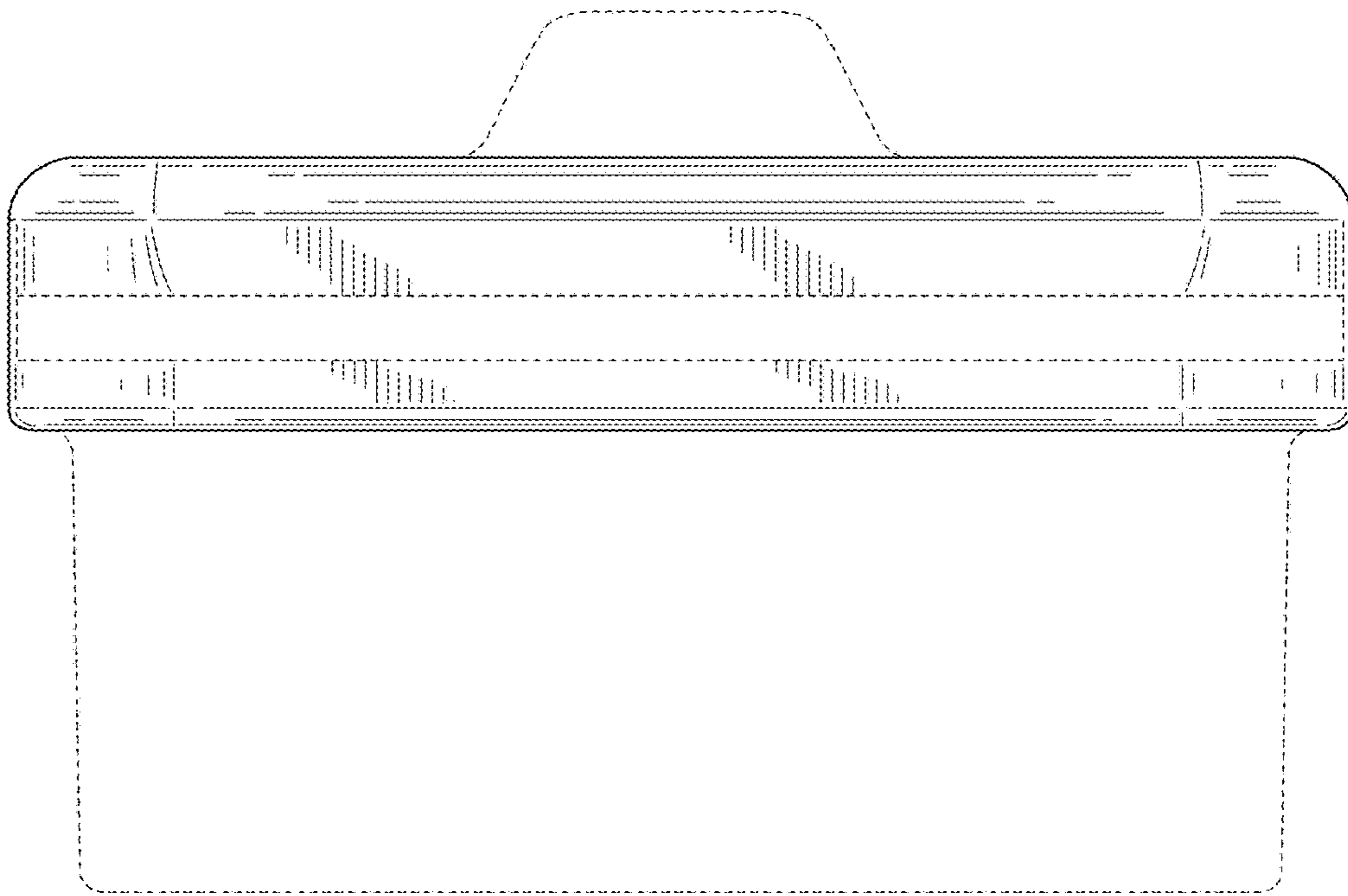


FIG. 22

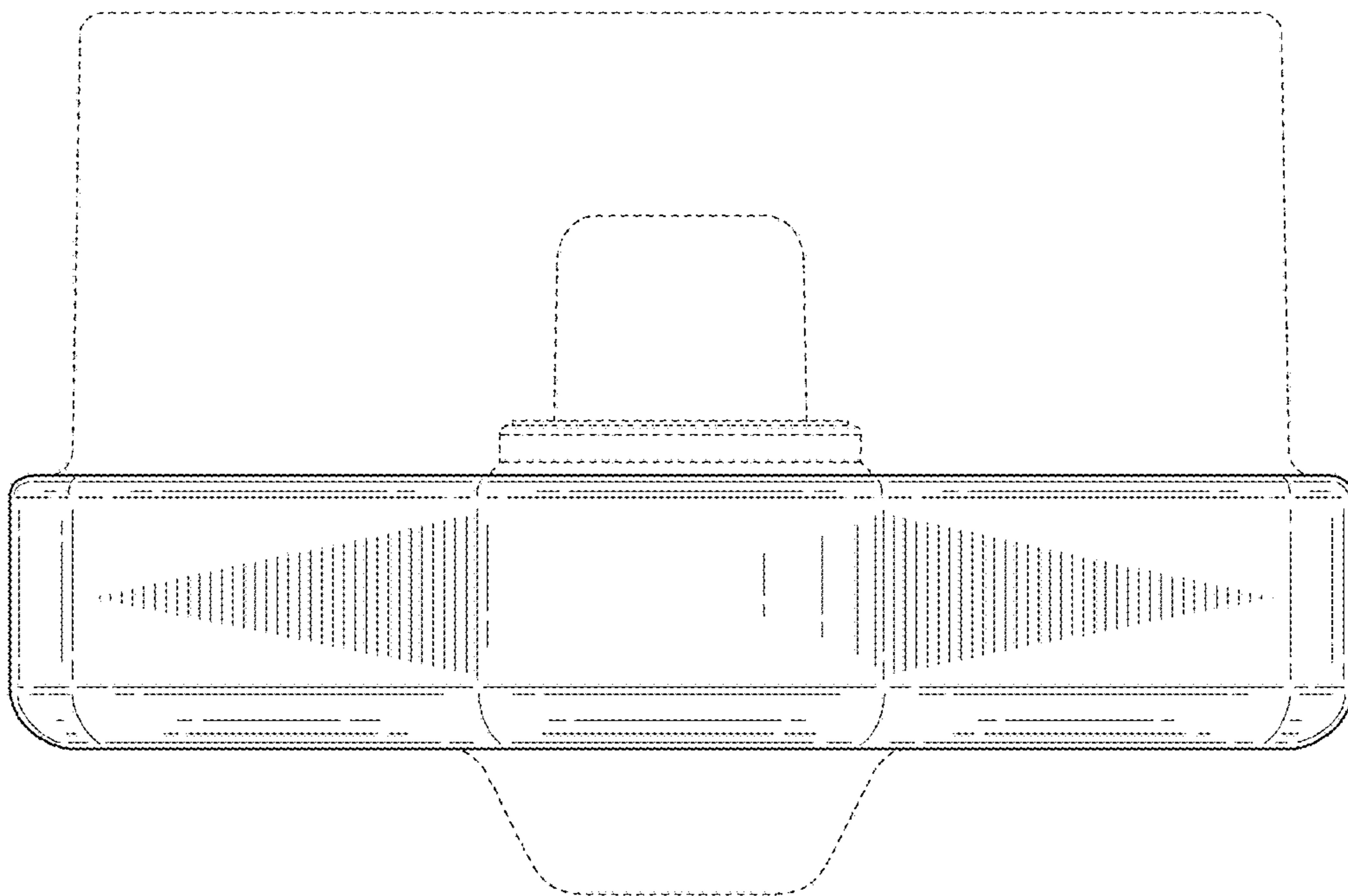


FIG. 23