



US00D832727S

(12) **United States Design Patent** (10) **Patent No.:** **US D832,727 S**
Rozgonyi et al. (45) **Date of Patent:** **** Nov. 6, 2018**

(54) **SENSOR PROTECTIVE HOOD**

(71) Applicants: **Joseph Rozgonyi**, Cleveland, OH (US);
Robert Hausch, Cleveland, OH (US);
William Letterle, Cleveland, OH (US)

(72) Inventors: **Joseph Rozgonyi**, Cleveland, OH (US);
Robert Hausch, Cleveland, OH (US);
William Letterle, Cleveland, OH (US)

(73) Assignee: **EMX INDUSTRIES INC.**, Cleveland,
OH (US)

(**) Term: **15 Years**

(21) Appl. No.: **29/607,487**

(22) Filed: **Jun. 14, 2017**

(51) **LOC (11) Cl.** **10-04**

(52) **U.S. Cl.**
USPC **D10/103; D13/156; D13/177**

(58) **Field of Classification Search**
USPC **D10/103; D13/156, 177**
CPC ... **G01F 15/14; Y10T 137/6995; E02D 29/14;**
E02D 29/1472; G01R 11/14; H02B 1/03;
H02B 1/06; H02B 1/063; H02B 1/066
See application file for complete search history.

(56) **References Cited**

U.S. PATENT DOCUMENTS

D381,631 S	7/1997	Hallett et al.	
D399,443 S	* 10/1998	Stoica	D10/74
D411,826 S	7/1999	Lamar et al.	
D420,300 S	* 2/2000	George	D10/103
D426,478 S	* 6/2000	Stoica	D10/103
D460,421 S	7/2002	Marozsan, Jr.	
D605,139 S	12/2009	Moore	
D653,975 S	* 2/2012	Anderson	D10/103
D761,144 S	* 7/2016	Allen	D10/103
D776,622 S	1/2017	Dejanovic et al.	

OTHER PUBLICATIONS

US Trademark Registration No. 3931141; Mark—EMX Filing date:
Aug. 4, 2017 Publication date: Dec. 28, 2010.
“Universal Retroreflective Photoeye IRB-RET”, by EMX Industries
, Found Online [Oct. 27, 2017] <https://image-store.slidesharecdn.com/0e257ca0-1099-4f28-9436-fa67e9e83db3-large.jpeg>.
“IRB-MON Universal Safety Photo beam”, by EMX industries ,
Found Online [Nov. 27, 2017] https://cdn.shopify.com/s/files/1/1320/8633/products/IRB-MON_cfbbe720-c8ee-4dbc-a2b1-1bfe31c6303c_large.jpg?v=1474999483.
“LMRRU Monitored Photo Eye”, by Liftmaster, Found Online
[Oct. 27, 2017] <https://images.gatehousesupplies.com/photos/LMRRU-2T.jpg>.
“Gate Opener Safety Reversing Reflective Sensors Photo Beam
Infrared Sensor Reflector Photo Eye”, by ALEKO, Found Online
[Oct. 27, 2017] <https://images-na.ssl-images-amazon.com/images/I/41REzD9eBoL.jpg>.

* cited by examiner

Primary Examiner — Antoine D Davis
(74) *Attorney, Agent, or Firm* — Legalforce RAPC
Worldwide

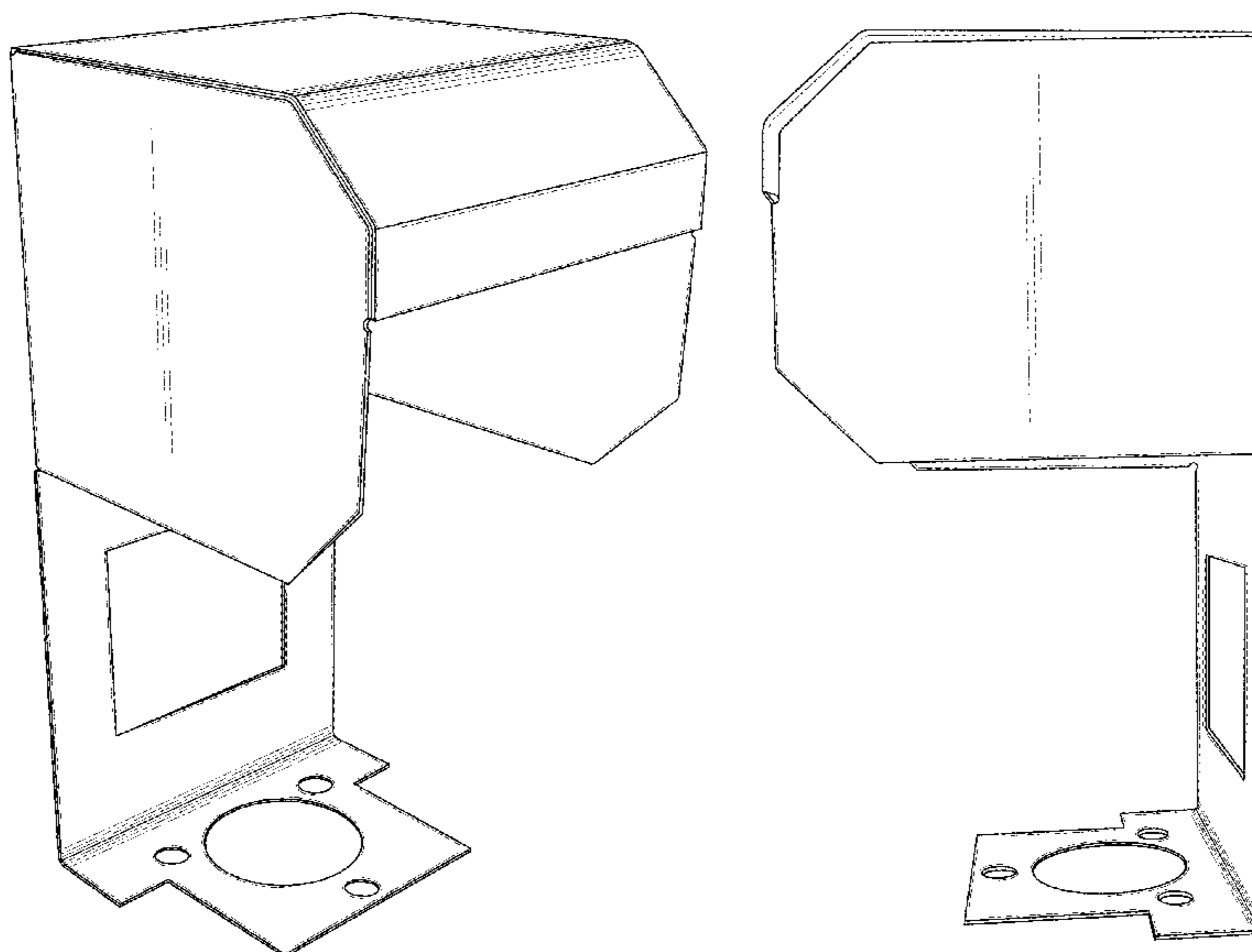
(57) **CLAIM**

The ornamental design for a sensor protective hood, as
shown and described.

DESCRIPTION

FIG. 1 is a front, top-left perspective view for a sensor
protective hood, showing our new design;
FIG. 2 is a front perspective view of FIG. 1 thereof;
FIG. 3 is a rear elevational view of FIG. 1 thereof;
FIG. 4 is a left side perspective view of FIG. 1 thereof;
FIG. 5 is a right side perspective view of FIG. 1 thereof;
FIG. 6 is a top plan view of FIG. 1 thereof; and,
FIG. 7 a bottom plan view of FIG. 1 thereof.

1 Claim, 7 Drawing Sheets



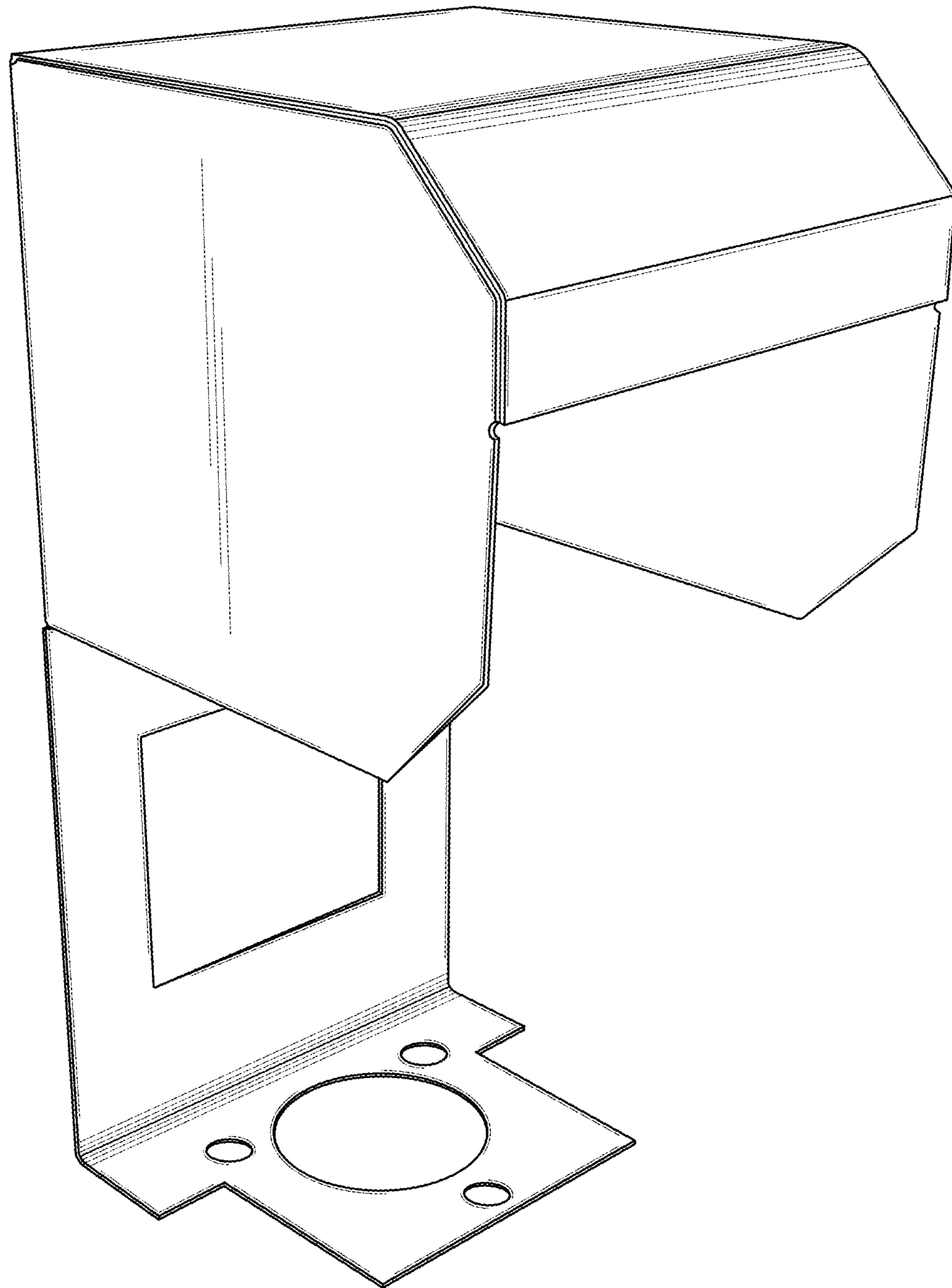


FIG. 1

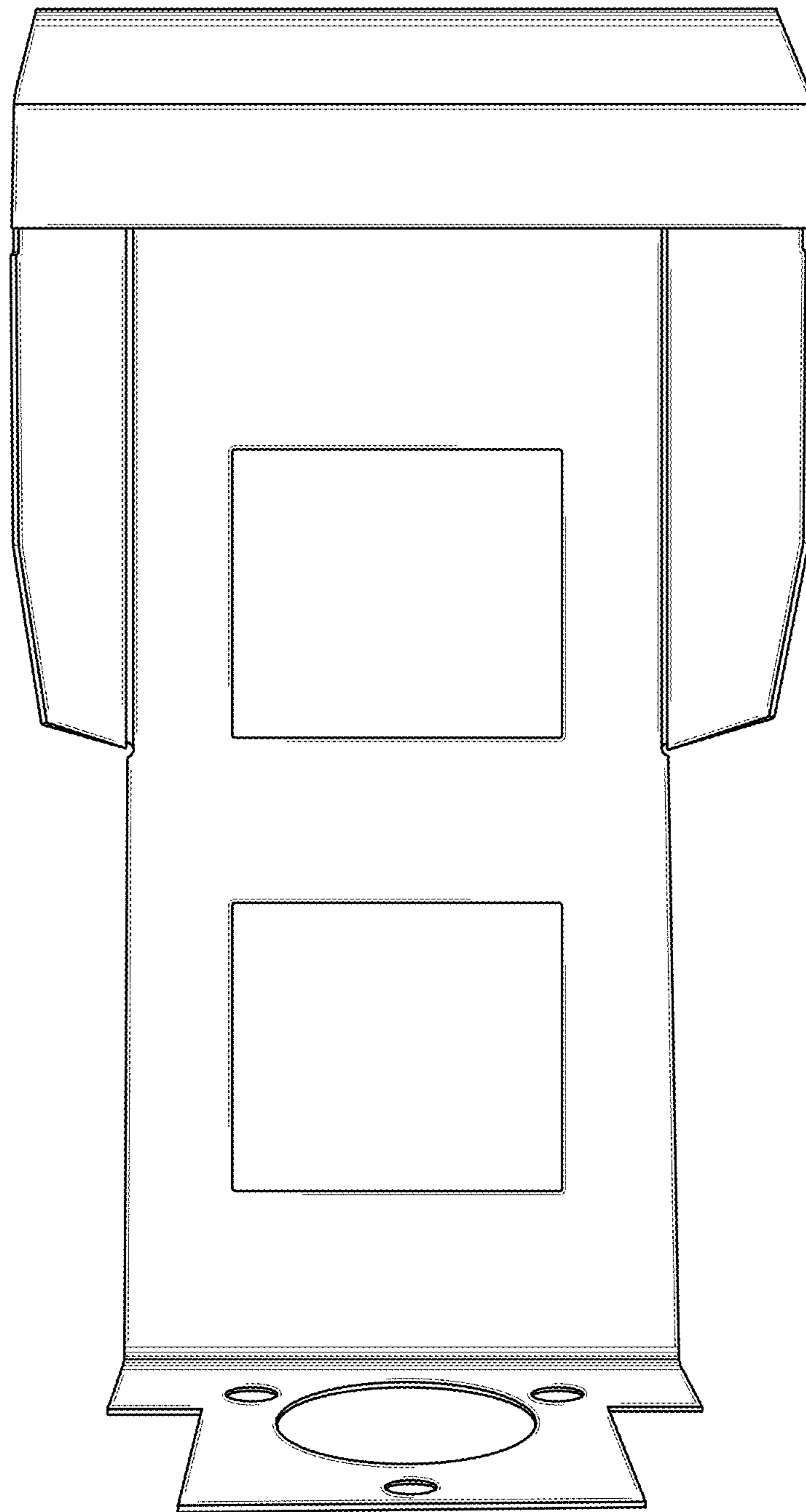


FIG. 2

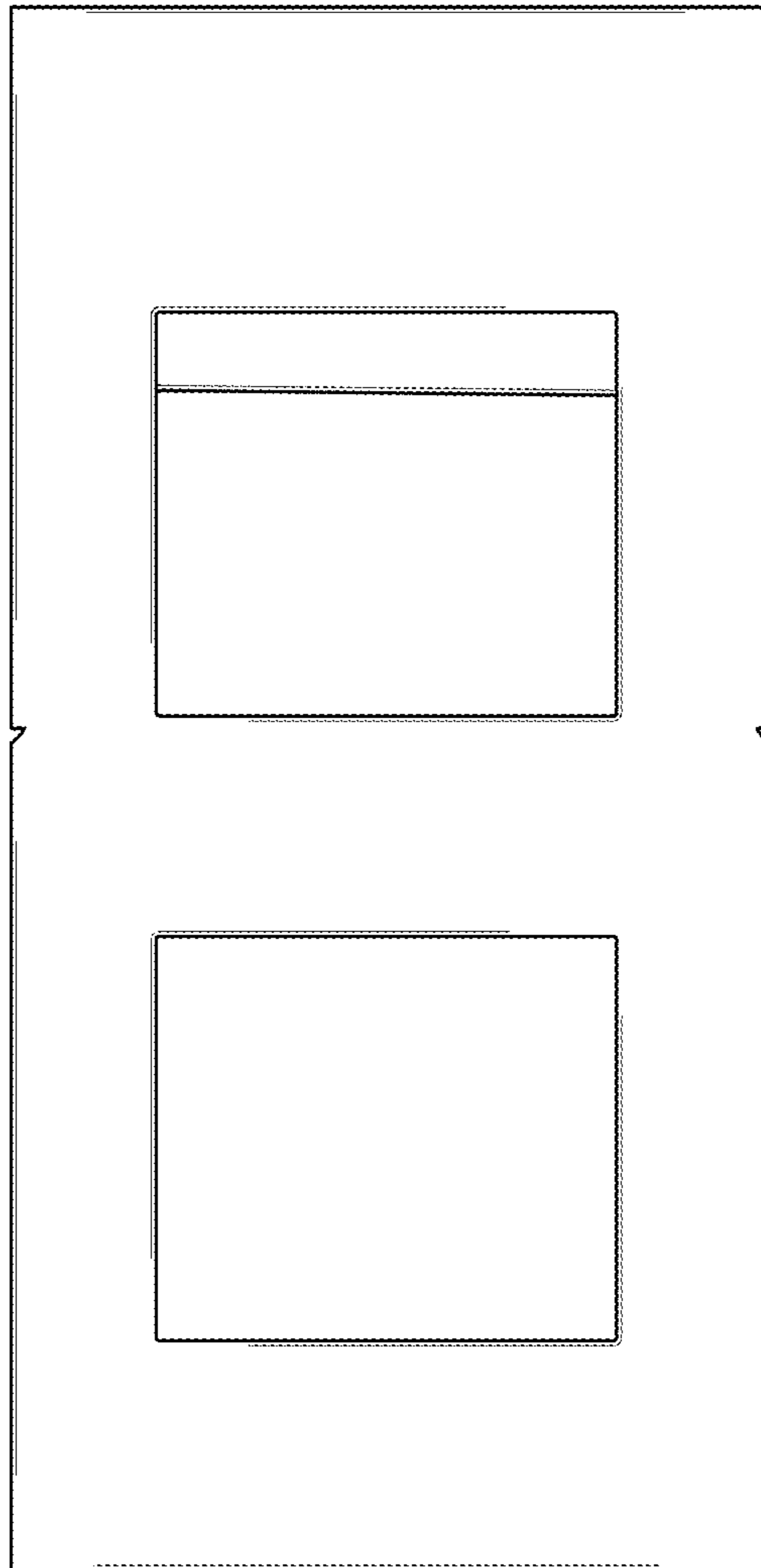


FIG. 3

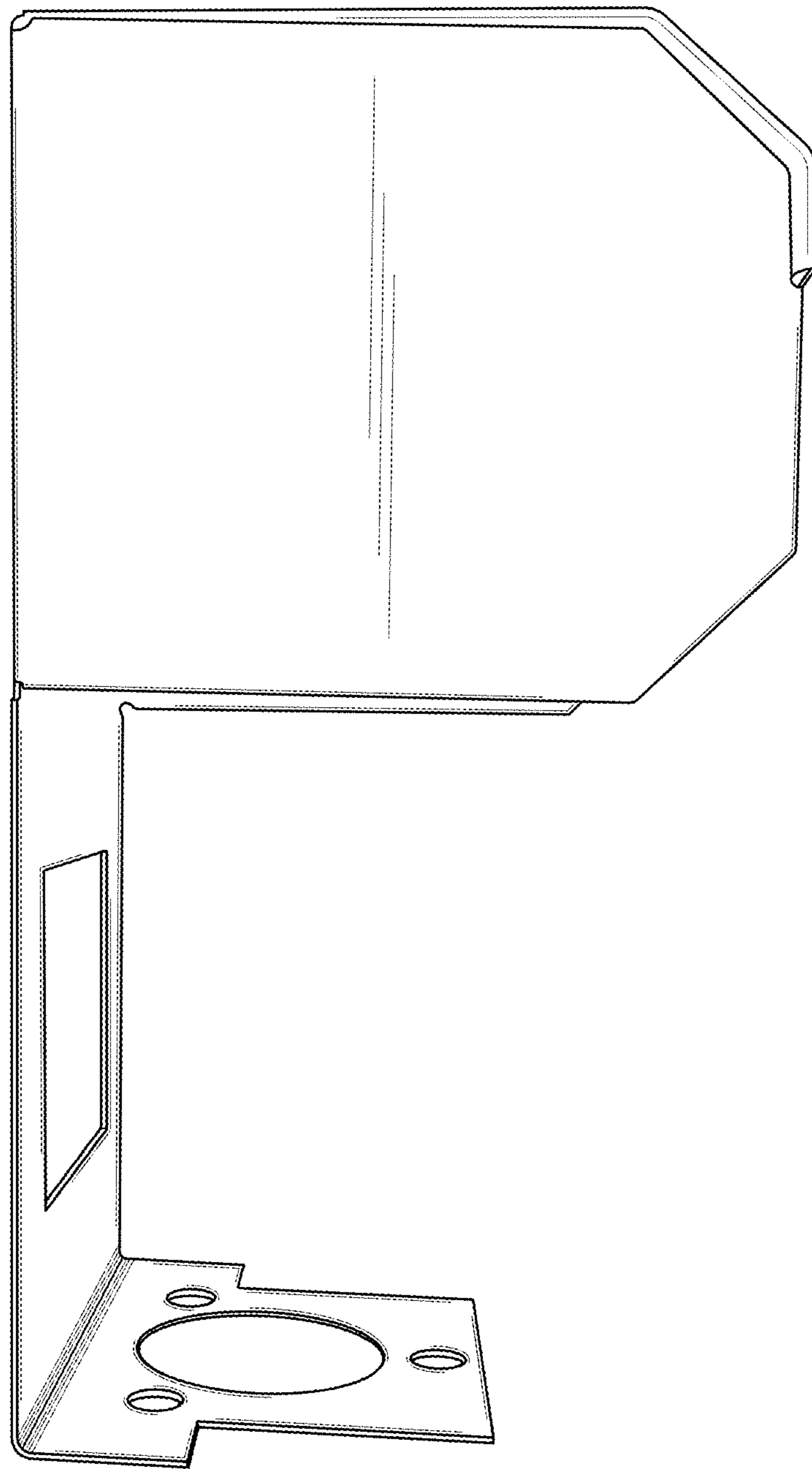


FIG. 4

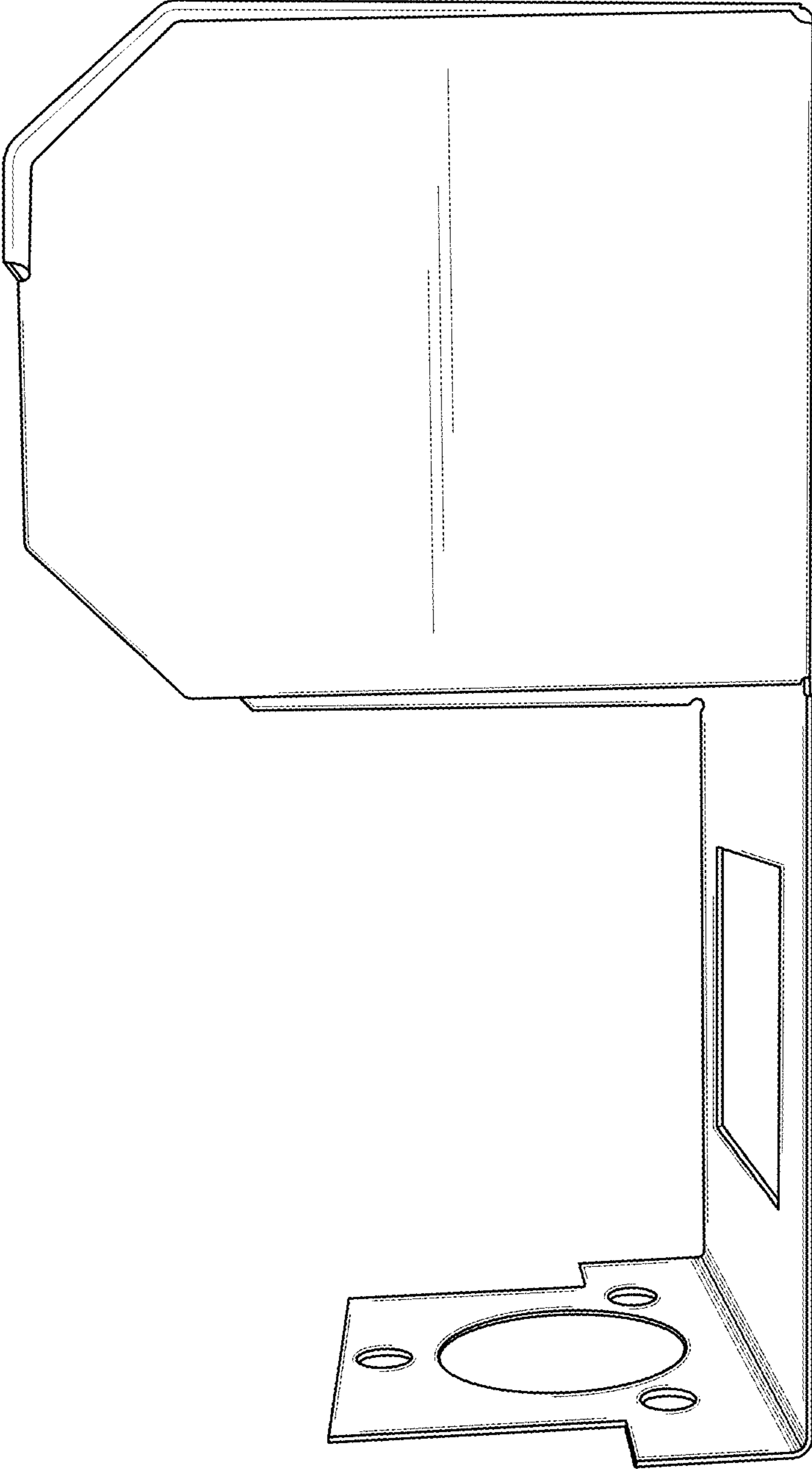


FIG. 5

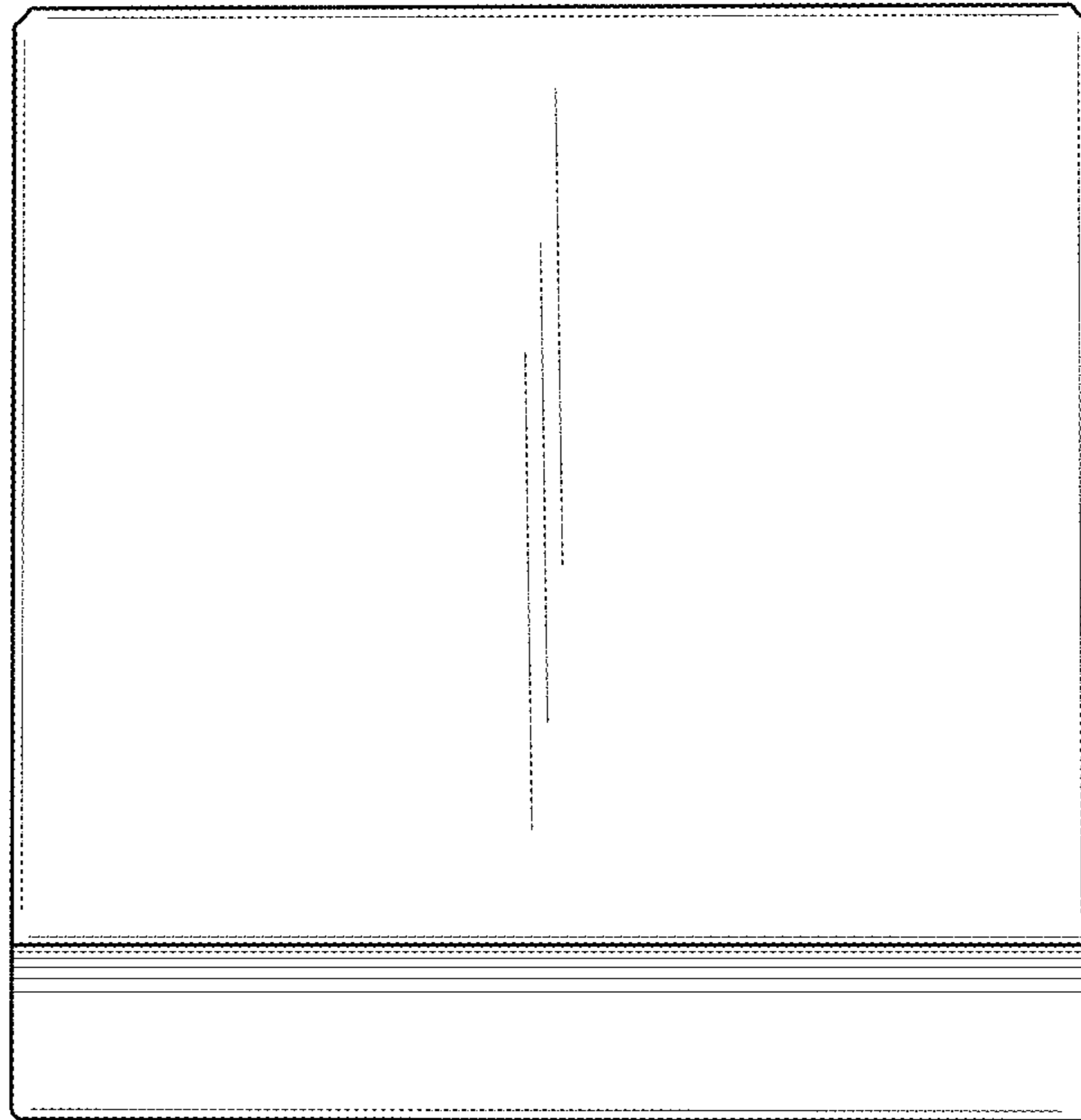


FIG. 6

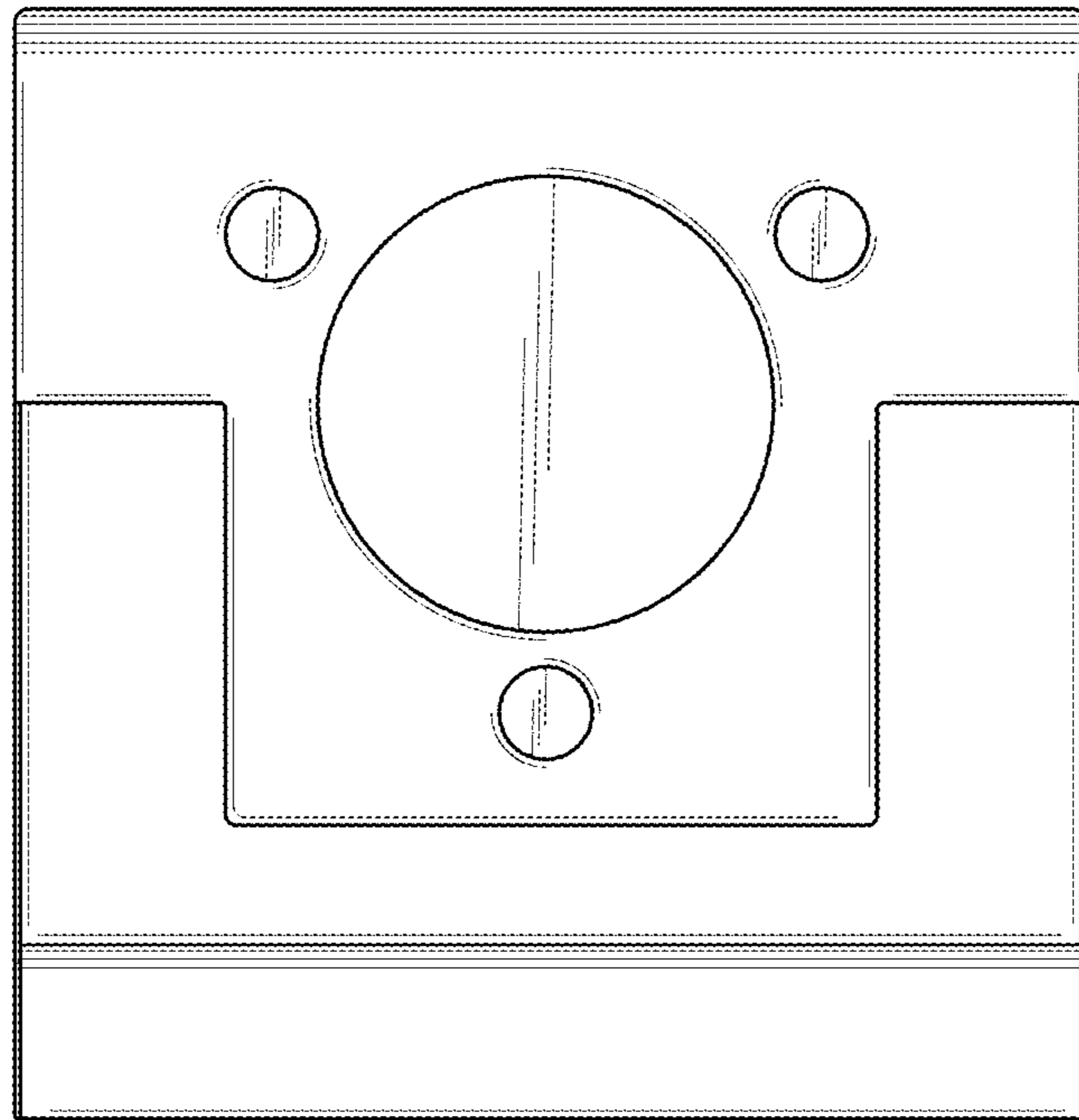


FIG. 7