



US00D832726S

(12) **United States Design Patent**  
**Kim et al.**

(10) **Patent No.:** **US D832,726 S**

(45) **Date of Patent:** **\*\* Nov. 6, 2018**

(54) **GIMBAL**

(71) Applicant: **SZ DJI OSMO TECHNOLOGY CO., LTD.**, Shenzhen (CN)

(72) Inventors: **Min Kim**, Shenzhen (CN); **Jaewan Jeong**, Shenzhen (CN); **Wei-Dong Li**, Shenzhen (CN); **Yan-Chong Zhao**, Shenzhen (CN); **Shi-Meng Bei**, Shenzhen (CN); **Guo-Yao Liu**, Shenzhen (CN)

(73) Assignee: **SZ DJI OSMO TECHNOLOGY CO., LTD.**, Shenzhen (CN)

(\*\*) Term: **15 Years**

(21) Appl. No.: **29/601,487**

(22) Filed: **Apr. 22, 2017**

(51) **LOC (11) Cl.** ..... **10-04**

(52) **U.S. Cl.**  
USPC ..... **D10/103; D10/74; D14/217; D14/447; D14/511; D16/242**

(58) **Field of Classification Search**  
USPC ..... **D10/74, 103; D14/217, 447, 511; D16/130, 242**  
CPC ..... **F16M 11/00; F16M 11/14; F16M 11/18; F16M 13/00; F16M 13/005; F16M 13/02; F16M 2201/00**  
See application file for complete search history.

(56) **References Cited**

**U.S. PATENT DOCUMENTS**

D723,090 S \* 2/2015 Firchau ..... D16/242  
D744,580 S \* 12/2015 Firchau ..... D16/242

D751,625 S \* 3/2016 Vesper ..... D16/242  
D759,335 S \* 6/2016 Kim ..... D34/28  
D785,893 S \* 5/2017 Kim ..... D34/28  
D794,109 S \* 8/2017 Zheng ..... D16/242  
D808,458 S \* 1/2018 Kim ..... D16/242

\* cited by examiner

*Primary Examiner* — Antoine Duval Davis

(74) *Attorney, Agent, or Firm* — ScienBiziP, P.C.

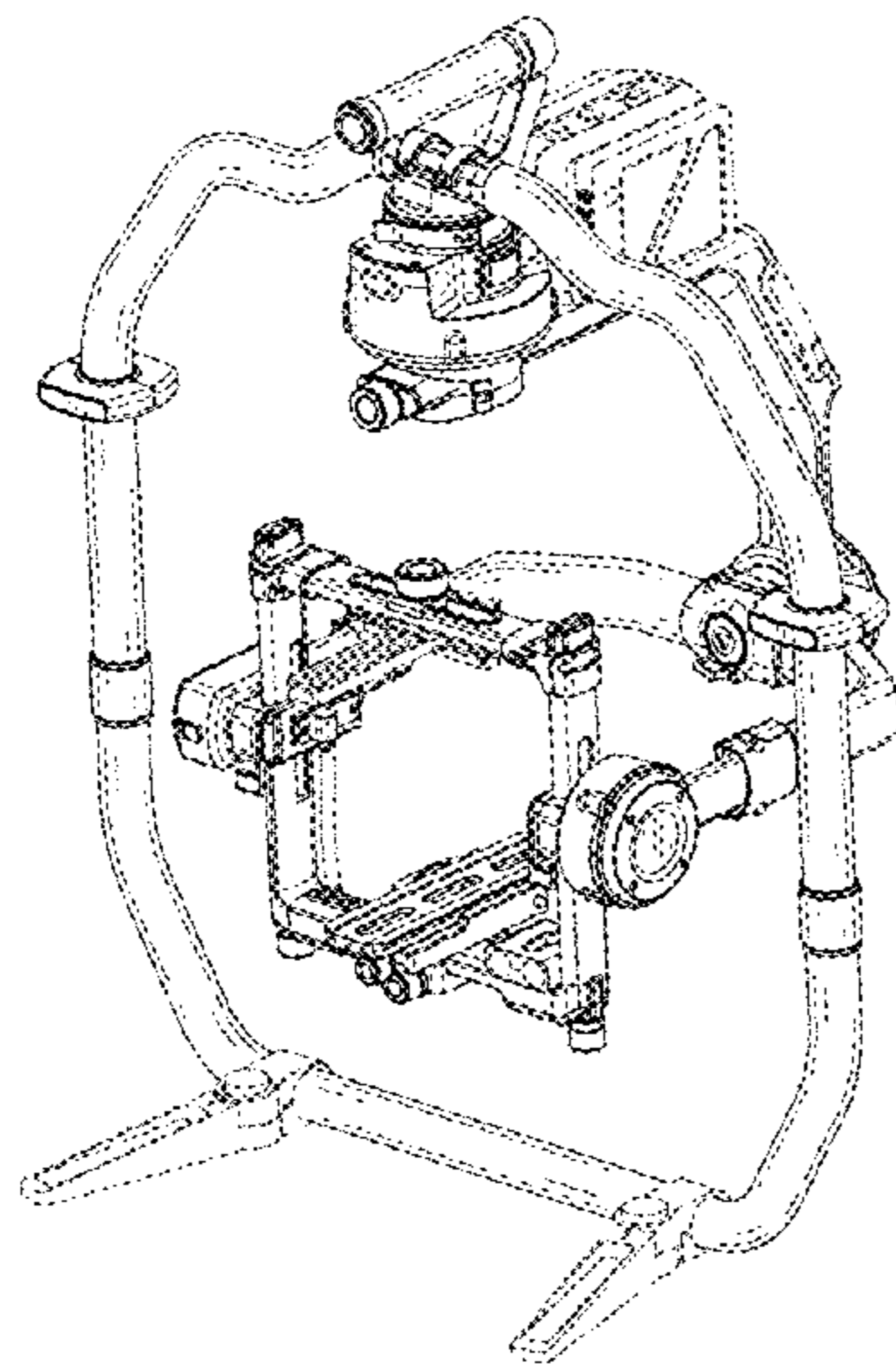
(57) **CLAIM**

The ornamental design for a gimbal, as shown and described.

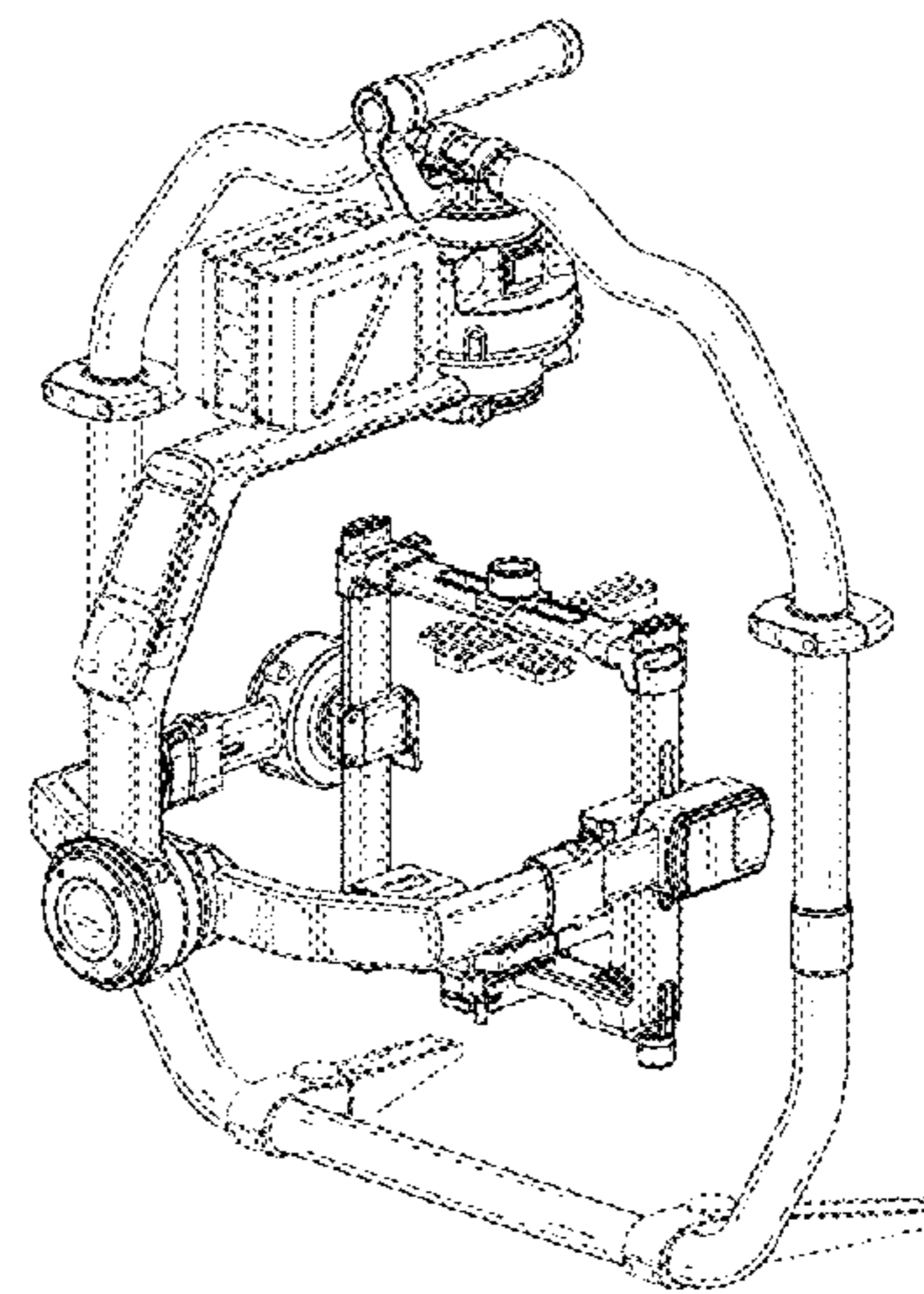
**DESCRIPTION**

FIG. 1 is a top front perspective view of a gimbal showing my new design;  
FIG. 2 is a bottom rear perspective view of a gimbal showing my new design;  
FIG. 3 is a front elevational view of the gimbal of FIG. 1;  
FIG. 4 is a rear elevational view of the gimbal of FIG. 1;  
FIG. 5 is a left side elevational view of the gimbal of FIG. 1;  
FIG. 6 is a right side elevational view of the gimbal of FIG. 1;  
FIG. 7 is a top plan view of the gimbal of FIG. 1; and  
FIG. 8 is a bottom plan view of the gimbal of FIG. 1.  
The broken lines in the drawings are employed to show unclaimed portions of the gimbal, and form no part of the claimed design.

**1 Claim, 8 Drawing Sheets**



(Original)



(Original)

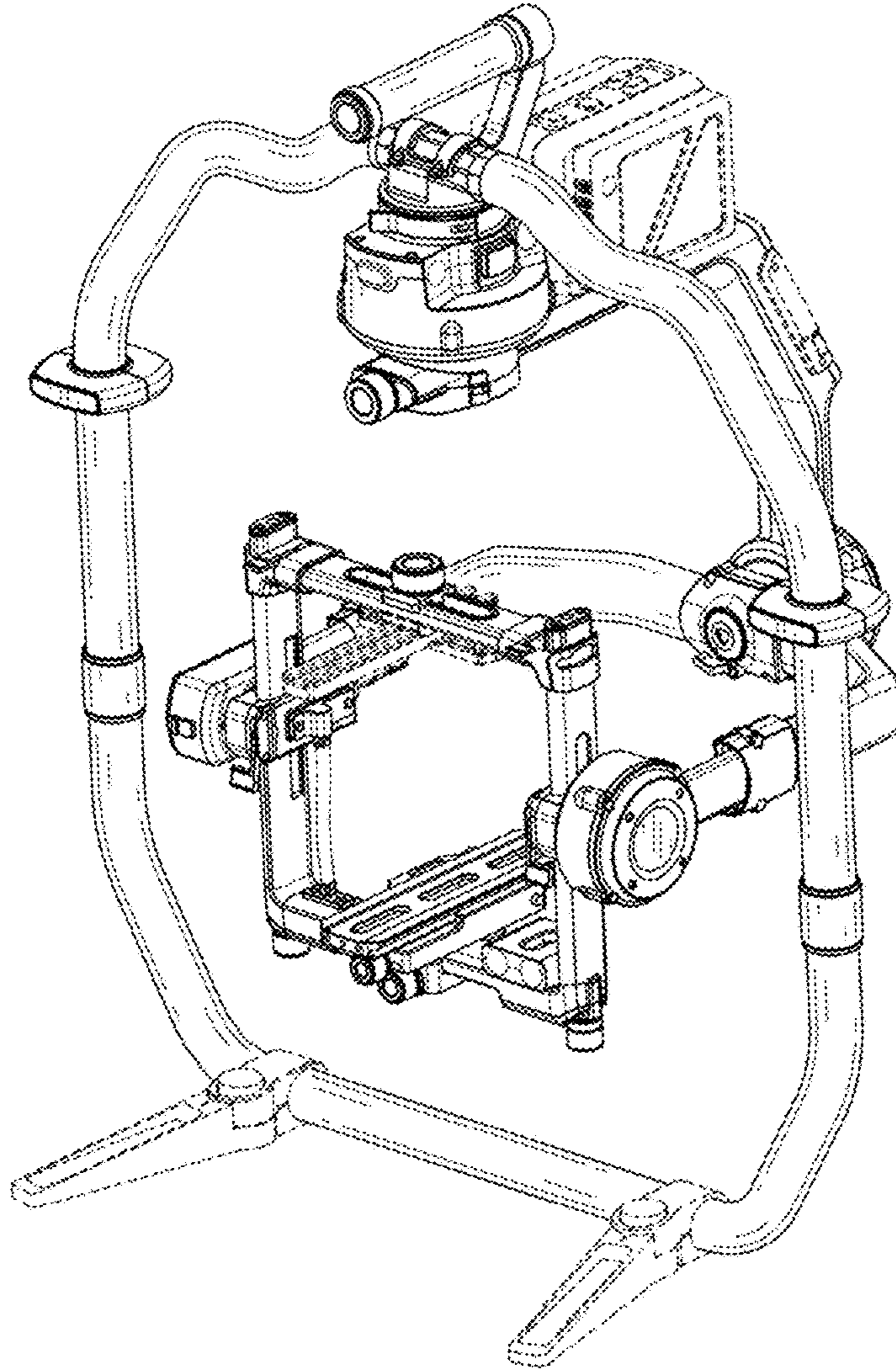


FIG. 1 (Original)

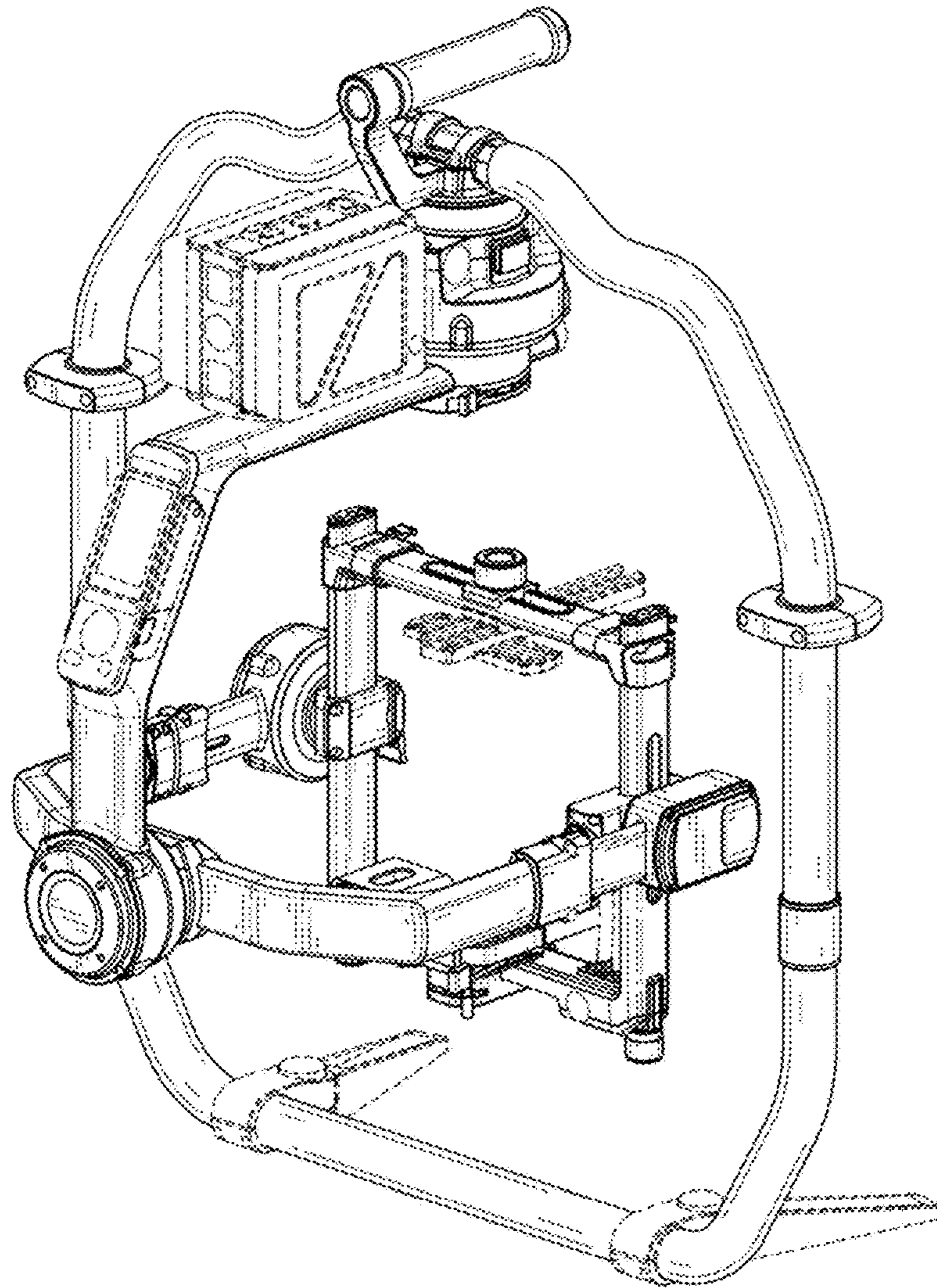


FIG. 2 (Original)

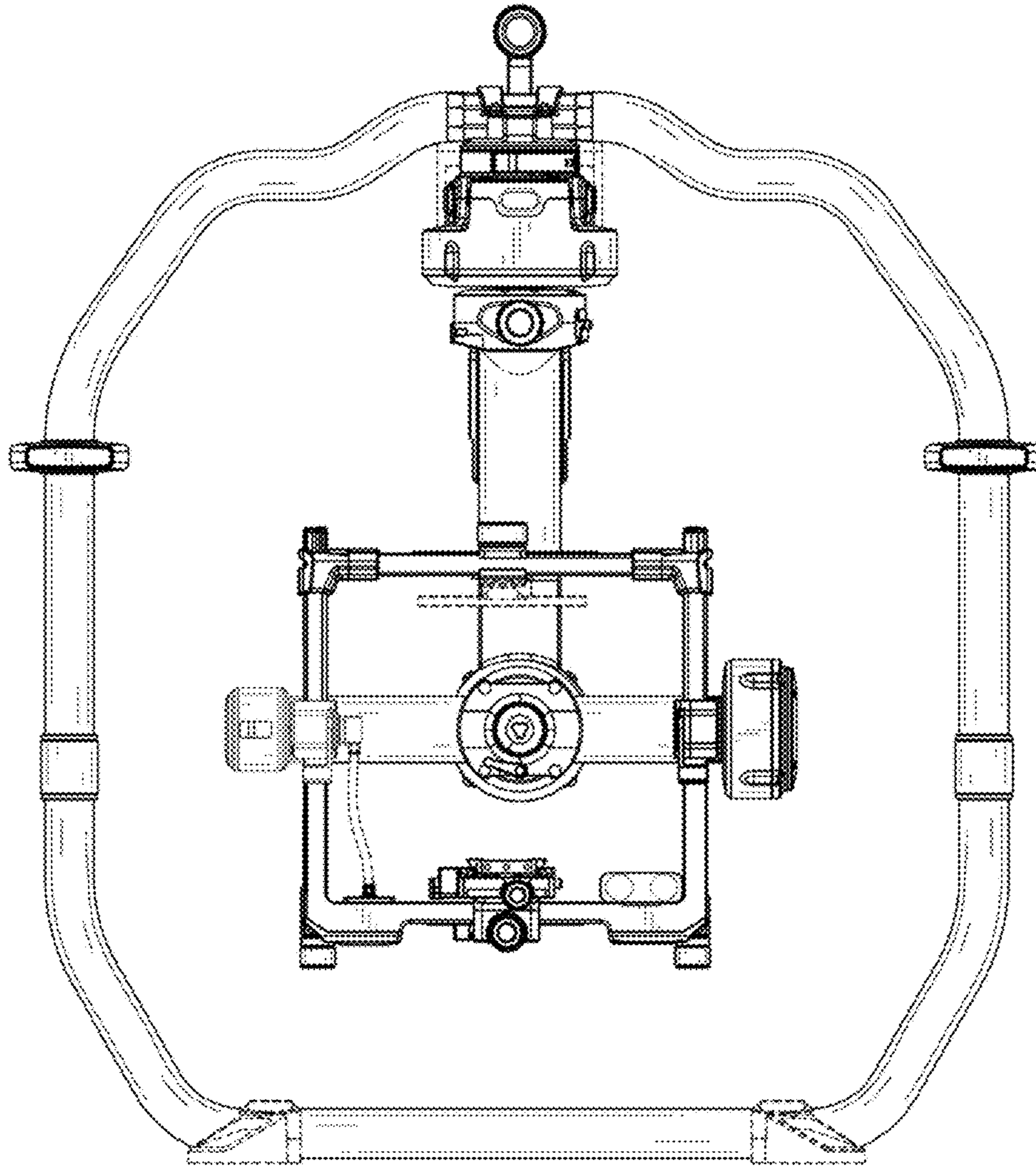


FIG. 3 (Original)

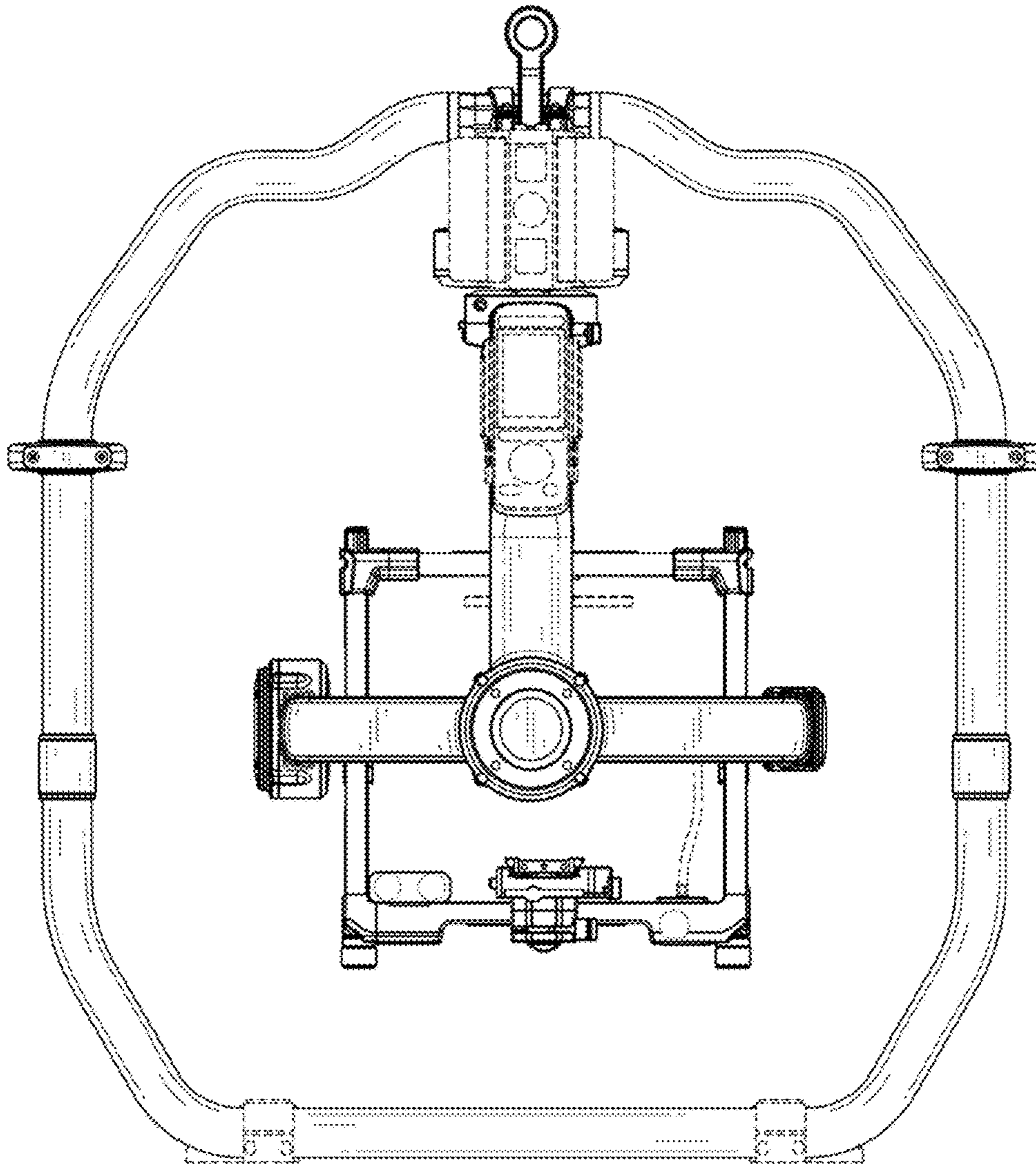


FIG. 4 (Original)

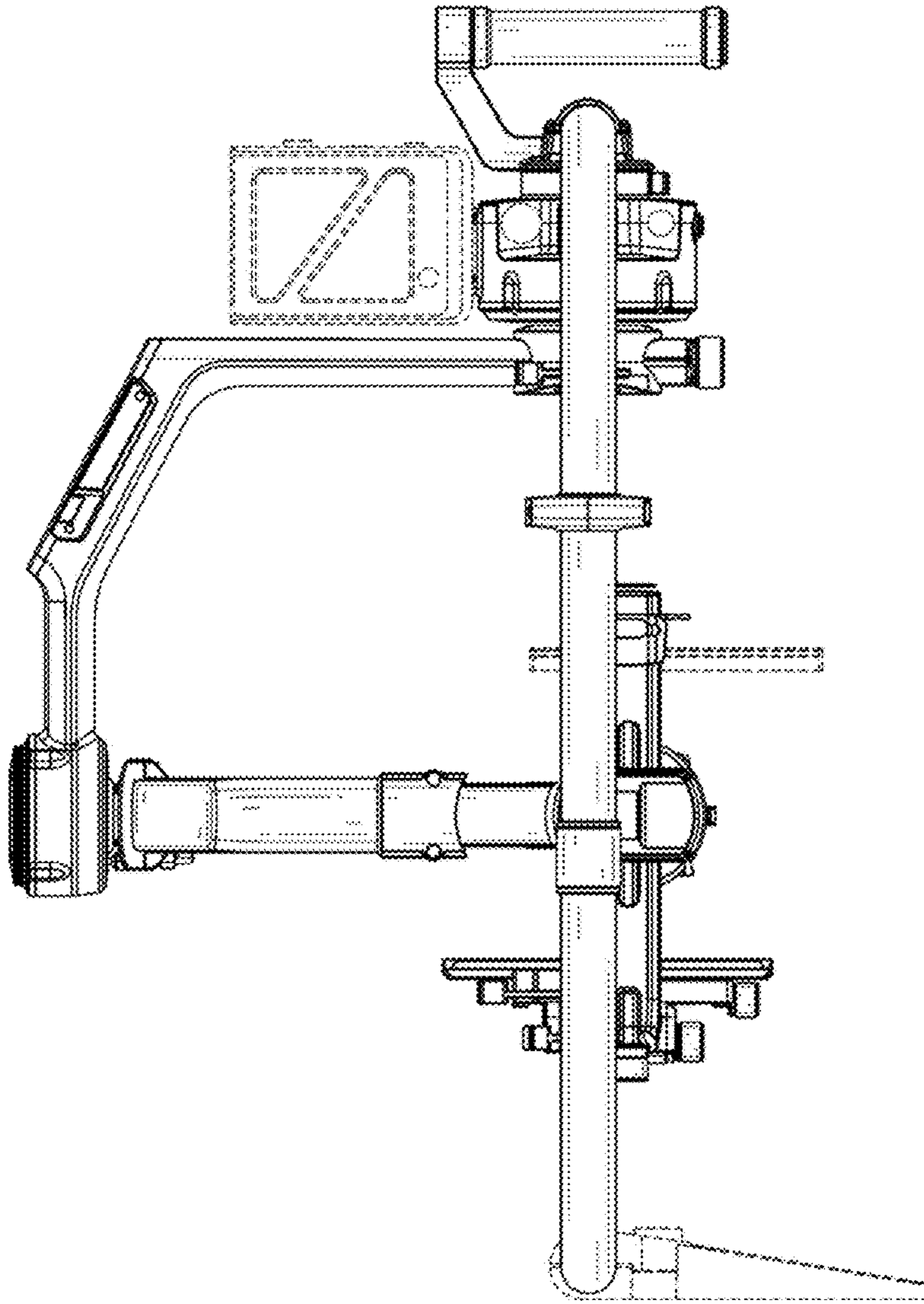


FIG. 5 (Original)

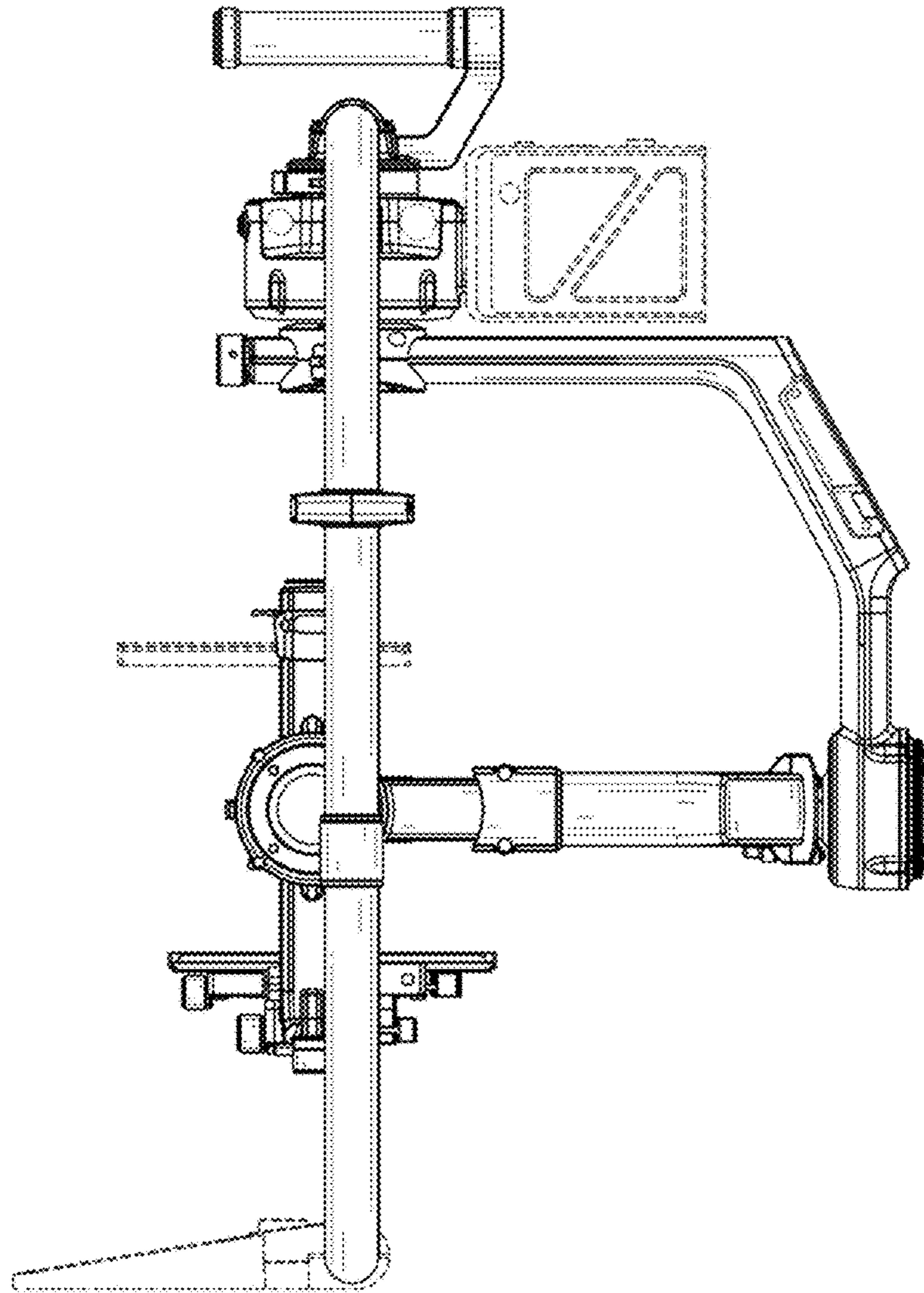


FIG. 6 (Original)

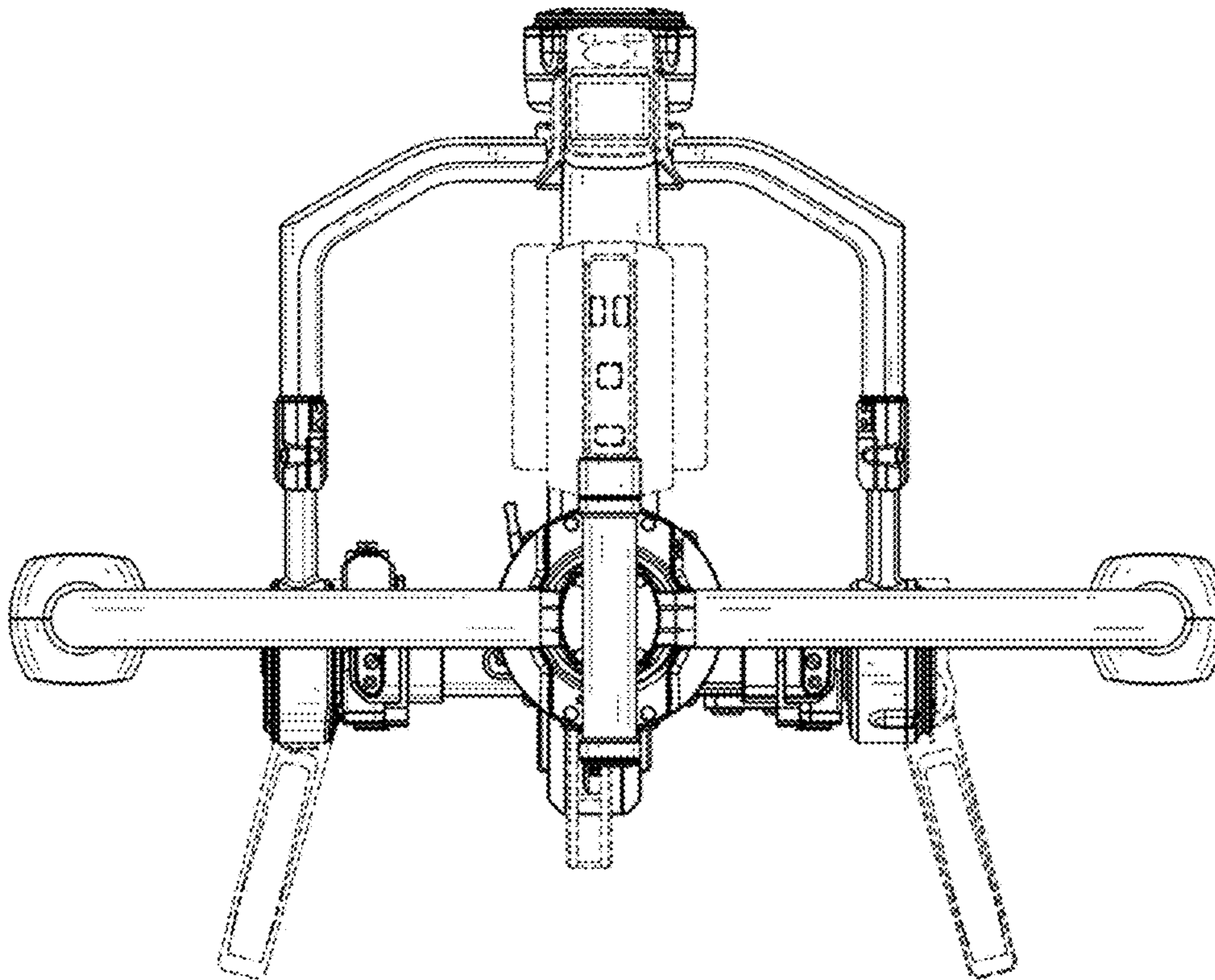


FIG. 7 (Original)



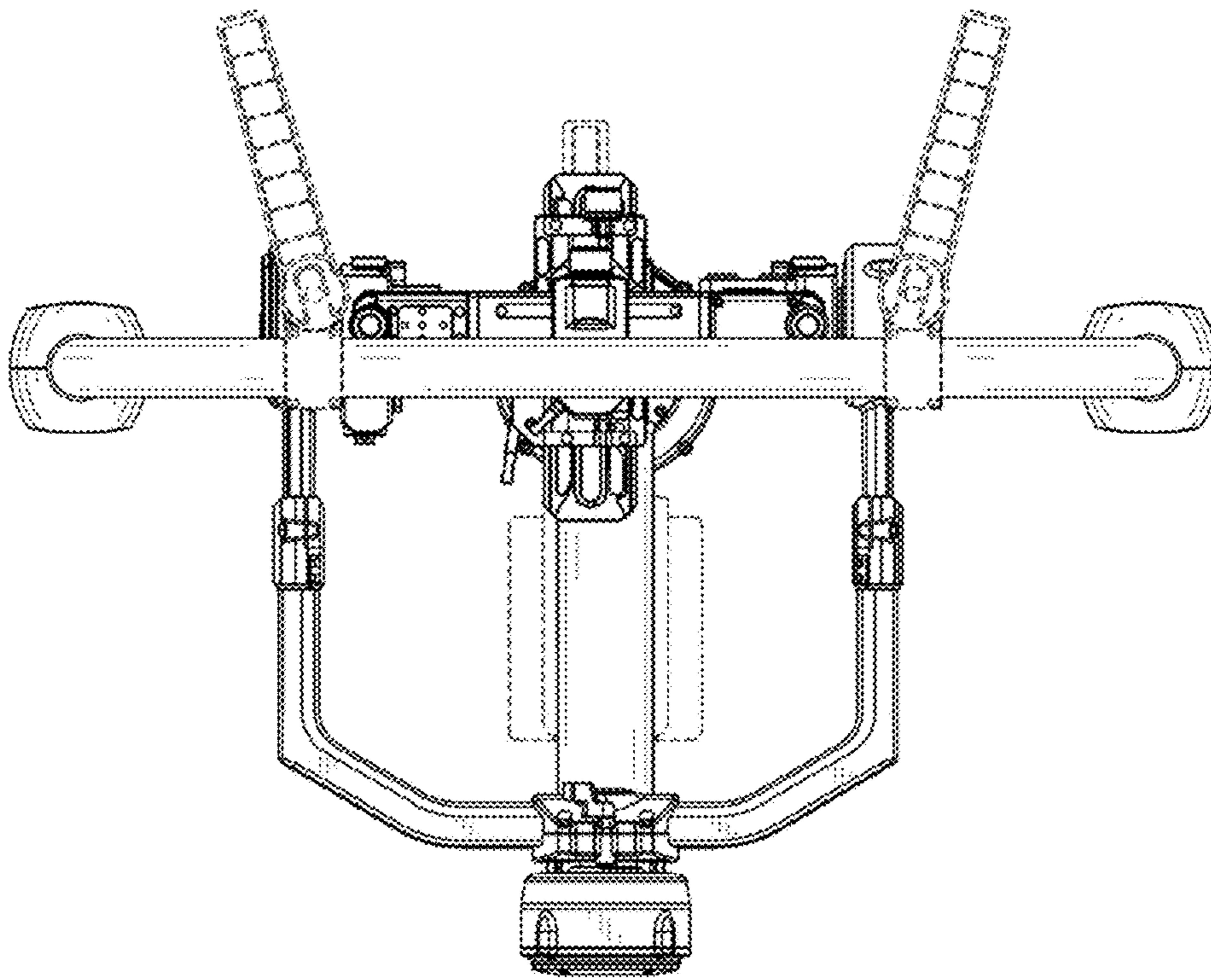


FIG. 8 (Original)