



US00D832724S

(12) **United States Design Patent**
Grisak

(10) **Patent No.:** **US D832,724 S**
(45) **Date of Patent:** **** Nov. 6, 2018**

(54) **POSITION MONITORING APPLIANCE**

(71) Applicant: **Garadget Inc.**, Grand Junction, CO
(US)

(72) Inventor: **Denis Grisak**, Grand Junction, CO
(US)

(73) Assignee: **Garadget Inc.**, Grand Junction, CO
(US)

(**) Term: **15 Years**

(21) Appl. No.: **29/603,752**

(22) Filed: **May 11, 2017**

(51) **LOC (11) Cl.** **10-04**

(52) **U.S. Cl.**
USPC **D10/70**

(58) **Field of Classification Search**

USPC D10/70, 106.6, 106.8; D26/51
CPC .. G01P 13/00; G01P 13/0006; G01P 13/0013;
G01P 13/002; G01P 13/0026; G01P
13/0033; G01P 13/004; G01P 13/0046;
G01P 13/0053; G01P 13/006; G01P
13/0066; G01P 13/0073; G01P 13/008;
G01P 13/0086; G01P 13/0093; G08B
21/00; G08B 21/02; G08B 21/0202;
G08B 21/0205; G08B 21/0208; G08B
21/0211; G08B 21/0213; G08B 21/0216;
G08B 21/0219; G08B 21/0222; G08B
21/0225; G08B 21/0227; G08B 21/023;
G08B 21/0233; G08B 21/0236; G08B
21/0238; G08B 21/0241; G08B 21/0244;
G08B 21/0247; G08B 21/025; G08B
21/0252; G08B 21/0258; G08B 21/0261;
G08B 21/0263; G08B 21/0266; G08B
21/0269; G08B 21/0272; G08B 21/0275;
G08B 21/0277; G08B 21/028; G08B
21/0283; G08B 21/0286; G08B 21/0288;
G08B 21/0291; G08B 21/0194; G08B
21/0297; G08B 21/04; G08B 21/0407;
G08B 21/0415; G08B 21/0423; G08B
21/043; G08B 21/0438; G08B 21/0446;

G08B 21/0453; G08B 21/0461; G08B
21/0469; G08B 21/0476; G08B 21/0484;
G08B 21/0492; G08B 21/06; G08B
21/08; G08B 21/082; G08B 21/084;
G08B 21/086; G08B 21/088; G08B
21/10; G08B 21/12; G08B 21/14; G08B
21/16; G08B 21/18; G08B 21/182; G08B
21/185; G08B 21/187; G08B 21/20;
G08B 21/22; G08B 21/24; G08B 21/245;
G08B 23/00; G08B 13/00;

(Continued)

(56) **References Cited**

U.S. PATENT DOCUMENTS

6,462,658 B1 * 10/2002 Bender G08B 13/1427
340/12.51
D810,594 S * 2/2018 Santos D10/70
2007/0063853 A1 * 3/2007 Derrick G01S 5/0054
340/573.4

* cited by examiner

Primary Examiner — Antoine Duval Davis
(74) *Attorney, Agent, or Firm* — Intellent Patents LLC;
Ahmed Alhafidh

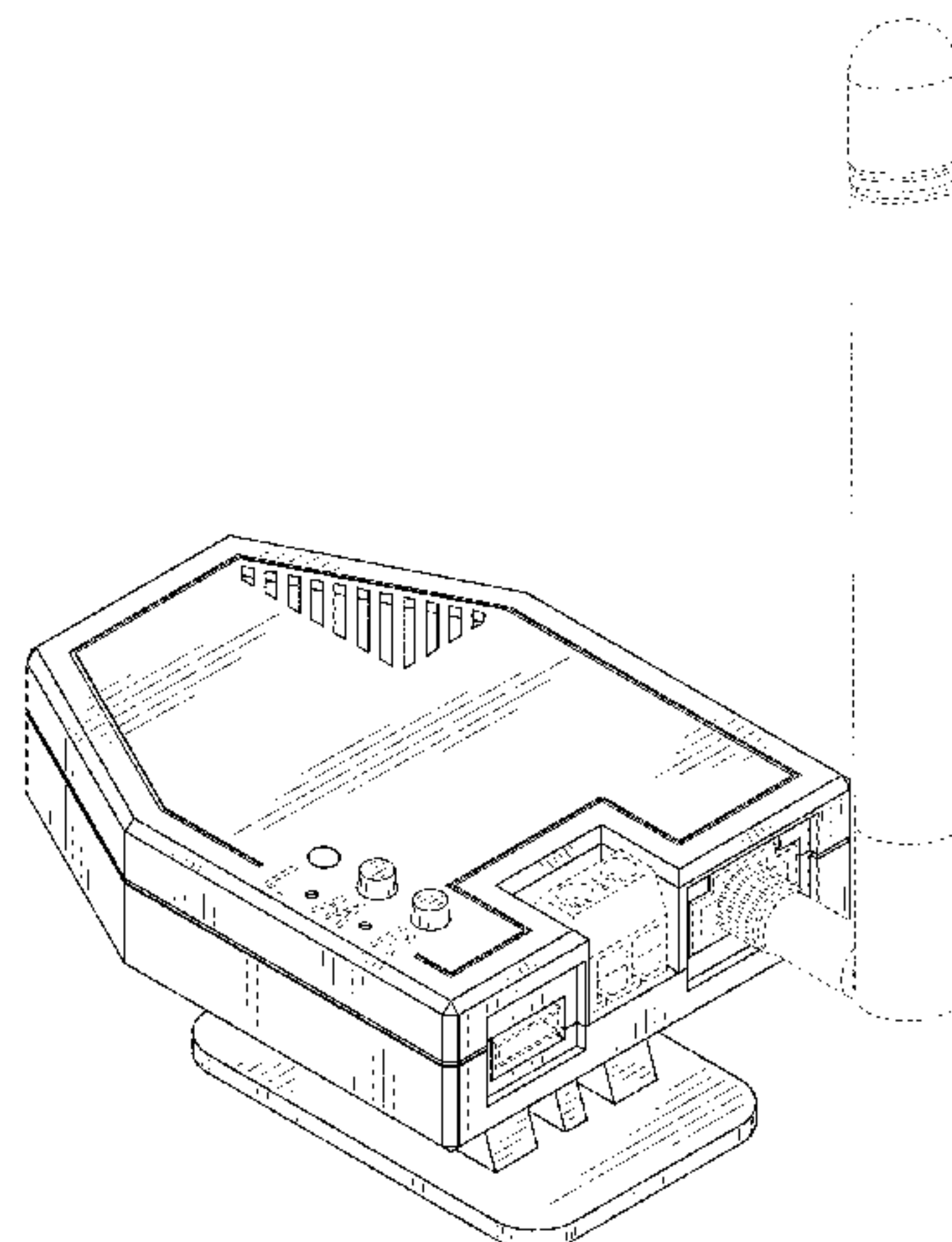
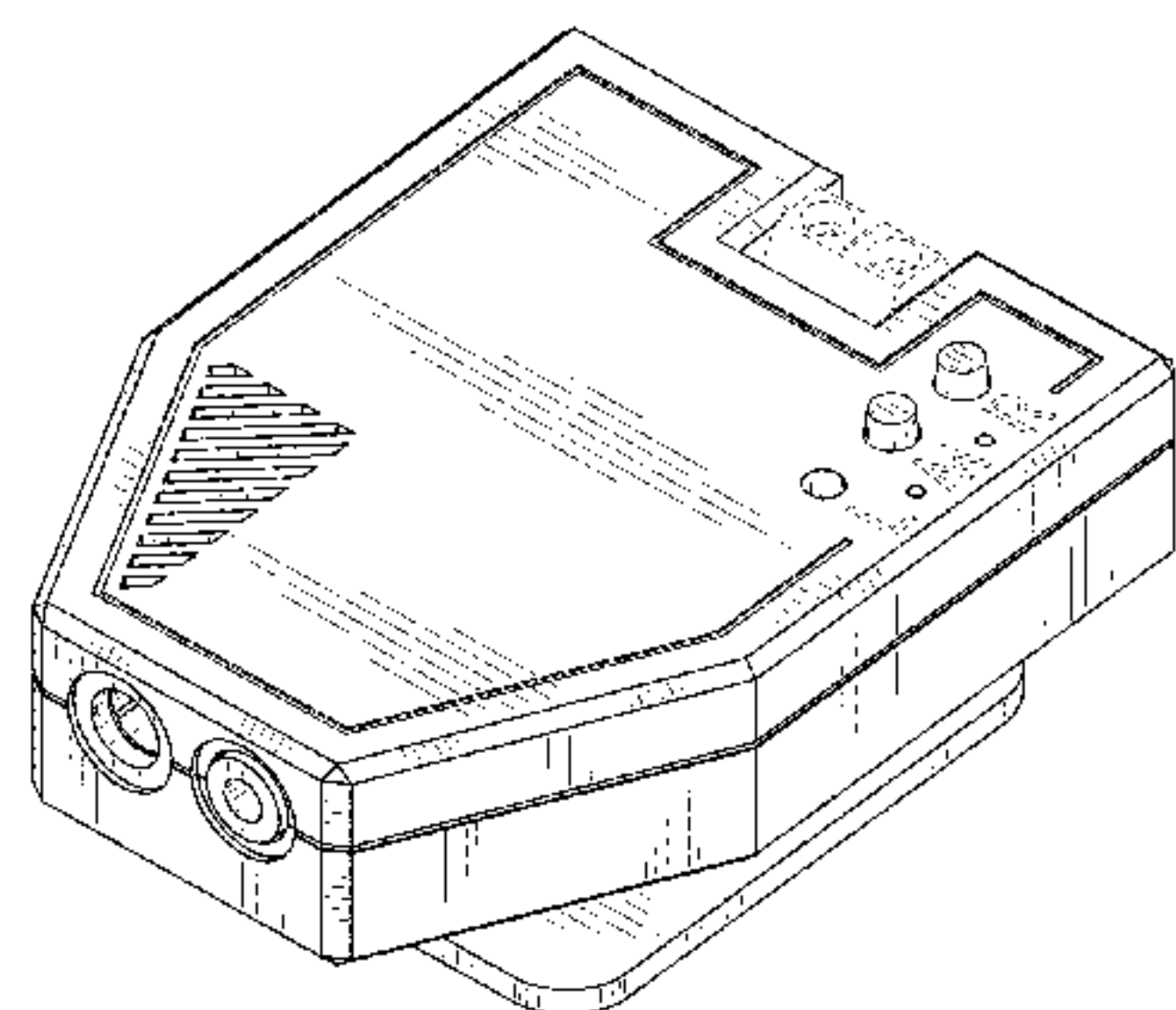
(57) **CLAIM**

The ornamental design for a position monitoring appliance,
as shown and described.

DESCRIPTION

FIG. 1 is a front perspective view of a position monitoring
appliance, showing my new design.
FIG. 2 is a front elevation view thereof.
FIG. 3 is a rear elevation view thereof.
FIG. 4 is a right elevation view thereof.
FIG. 5 is a left elevation view thereof.
FIG. 6 is a top elevation view thereof.
FIG. 7 is a bottom elevation view thereof; and,
FIG. 8 is a rear perspective view of the position monitoring
appliance showing an attached antenna.

(Continued)



The broken lines in the drawings illustrate portions of position monitoring appliance which form no part of the claimed design.

1 Claim, 5 Drawing Sheets

(58) Field of Classification Search

CPC G08B 13/02; G08B 13/04; G08B 13/06;
G08B 13/08; G08B 13/10; G08B 13/12;
G08B 13/122; G08B 13/124; G08B
13/126; G08B 13/028; G08B 13/14;
G08B 13/1409; G08B 13/1418; G08B
13/1427; G08B 13/1436; G08B 13/1445;
G08B 13/1454; G08B 13/1463; G08B
13/1472; G08B 13/1481; G08B 13/149;
G08B 13/16; G08B 13/1609; G08B
13/1618; G08B 13/1627; G08B 13/1636;
G08B 13/1645; G08B 13/1654; G08B
13/1663; G08B 13/1672; G08B 13/1681;
G08B 13/169; G08B 13/18; G08B
13/181; G08B 13/183; G08B 13/184;
G08B 13/186; G08B 13/187; G08B
13/189; G08B 13/1895; G08B 13/19;
G08B 13/191; G08B 13/193; G08B
13/194; G08B 13/196; G08B 13/19602;
G08B 13/19604; G08B 13/19606; G08B
13/19608; G08B 13/1961; G08B
13/19613; G08B 13/19615; G08B
13/19617; G08B 13/19619; G08B
13/19621; G08B 13/19623; G08B
13/19626; G08B 13/19628; G08B
13/1963; G08B 13/19632; G08B
13/19634; G08B 13/19636; G08B

13/19639; G08B 13/19641; G08B
13/19643; G08B 13/1945; G08B
13/19647; G08B 13/1965; G08B
13/19652; G08B 13/19654; G08B
13/19656; G08B 13/19658; G08B
13/1966; G08B 13/19663; G08B
13/19665; G08B 13/19667; G08B
13/19669; G08B 13/19671; G08B
13/19673; G08B 13/19676; G08B
13/19678; G08B 13/1968; G08B
13/19682; G08B 13/19684; G08B
13/19686; G08B 13/19689; G08B
13/19691; G08B 13/19693; G08B
13/19695; G08B 13/19697; G08B 13/20;
G08B 13/22; G08B 13/24; G08B
13/2402; G08B 13/2405; G08B 13/2408;
G08B 13/2411; G08B 13/2414; G08B
13/2417; G08B 13/242; G08B 13/2422;
G08B 13/2425; G08B 13/2428; G08B
13/2431; G08B 13/2434; G08B 13/2437;
G08B 13/244; G08B 13/2442; G08B
13/2448; G08B 13/2451; G08B 13/2454;
G08B 13/2457; G08B 13/246; G08B
13/2462; G08B 13/2465; G08B 13/2468;
G08B 13/2471; G08B 13/2474; G08B
13/2477; G08B 13/248; G08B 13/2482;
G08B 13/2485; G08B 13/2488; G08B
13/2491; G08B 13/2494; G08B 13/2497;
G08B 13/26; G01V 8/00; G01V 8/005;
G01V 8/02; G01V 8/10; G01V 8/12;
G01V 8/14; G01V 8/16; G01V 8/18;
G01V 8/20; G01V 8/22; G01V 8/24;
G01V 8/26

See application file for complete search history.

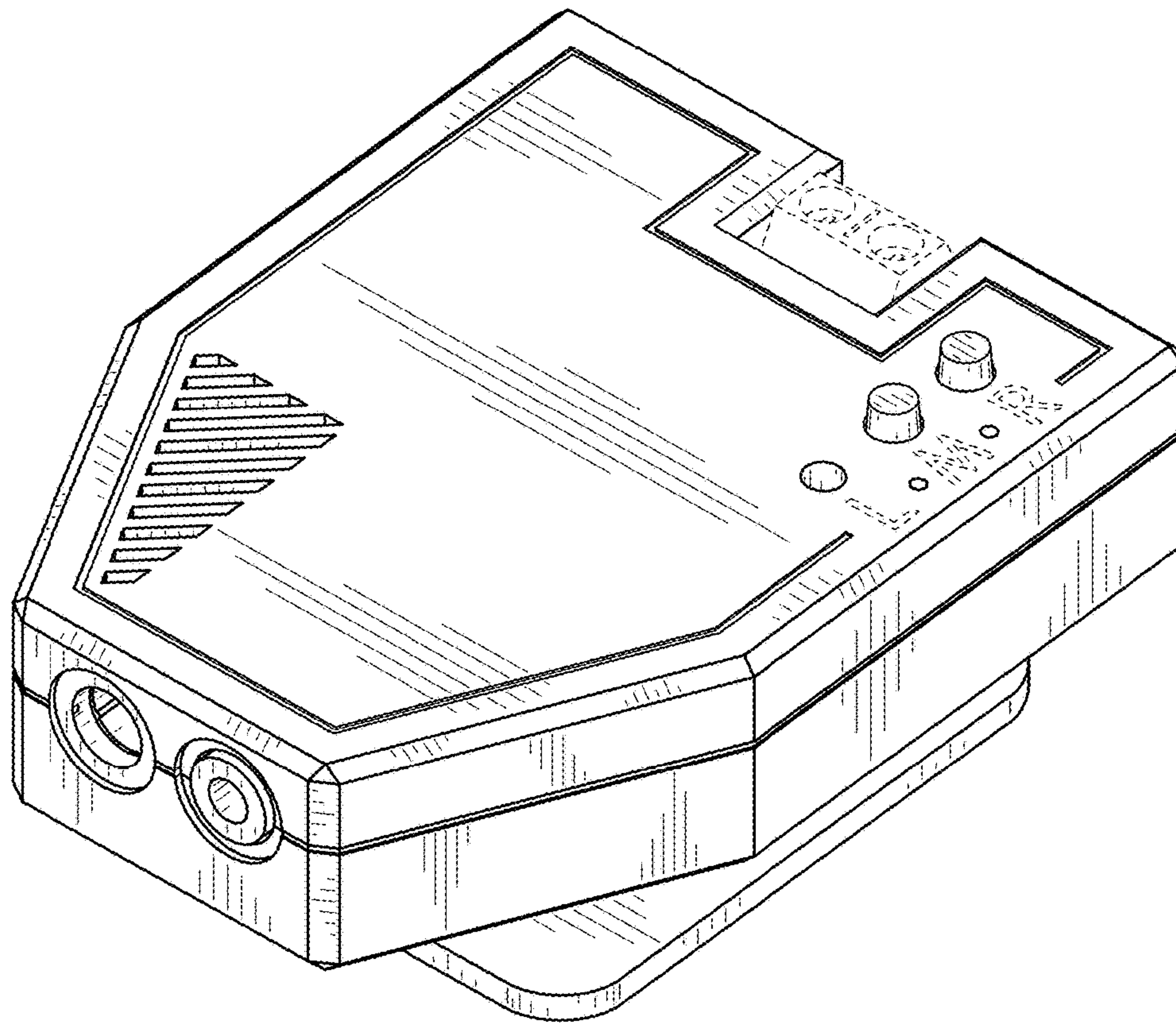


FIG. 1

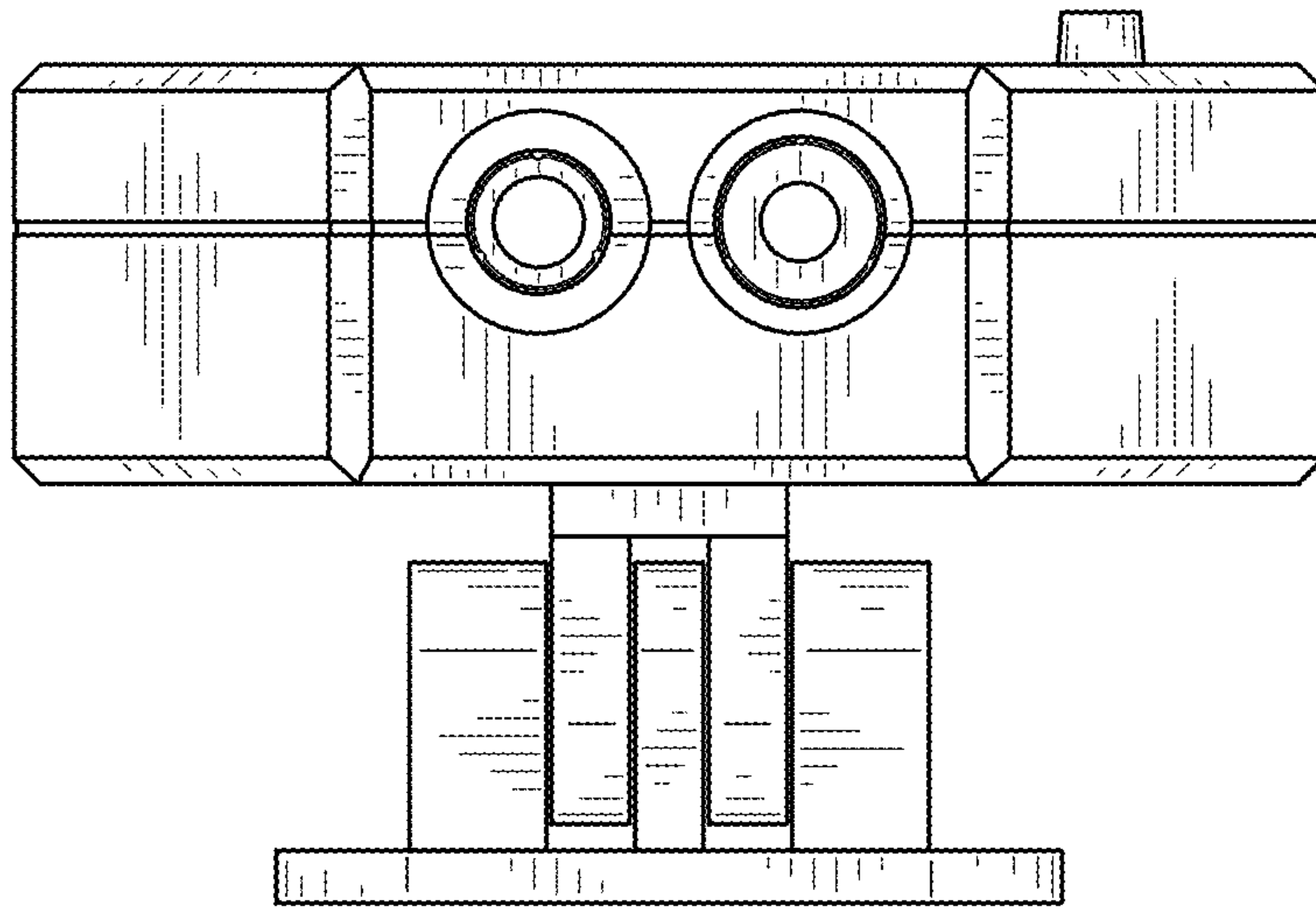


FIG. 2

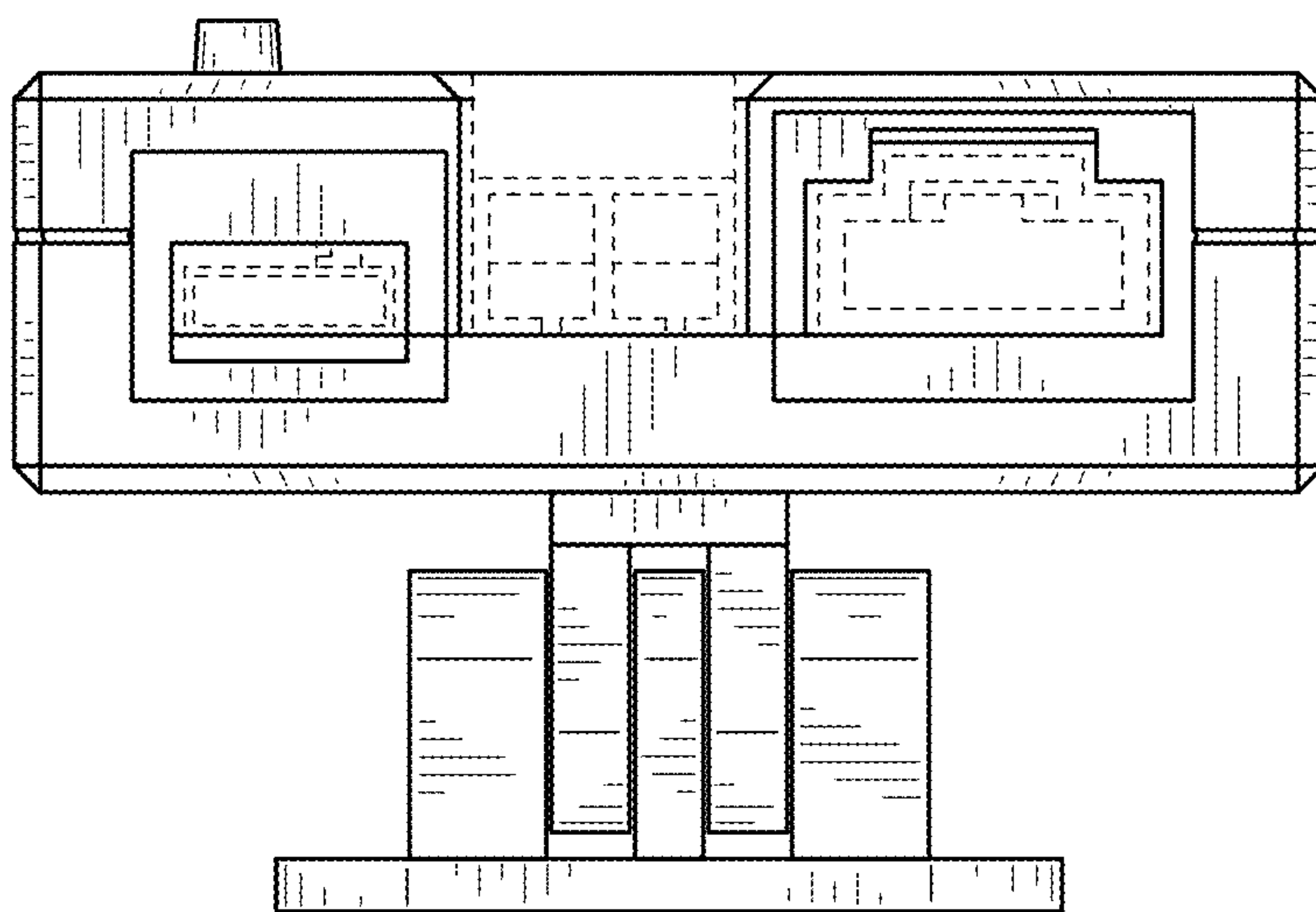


FIG. 3

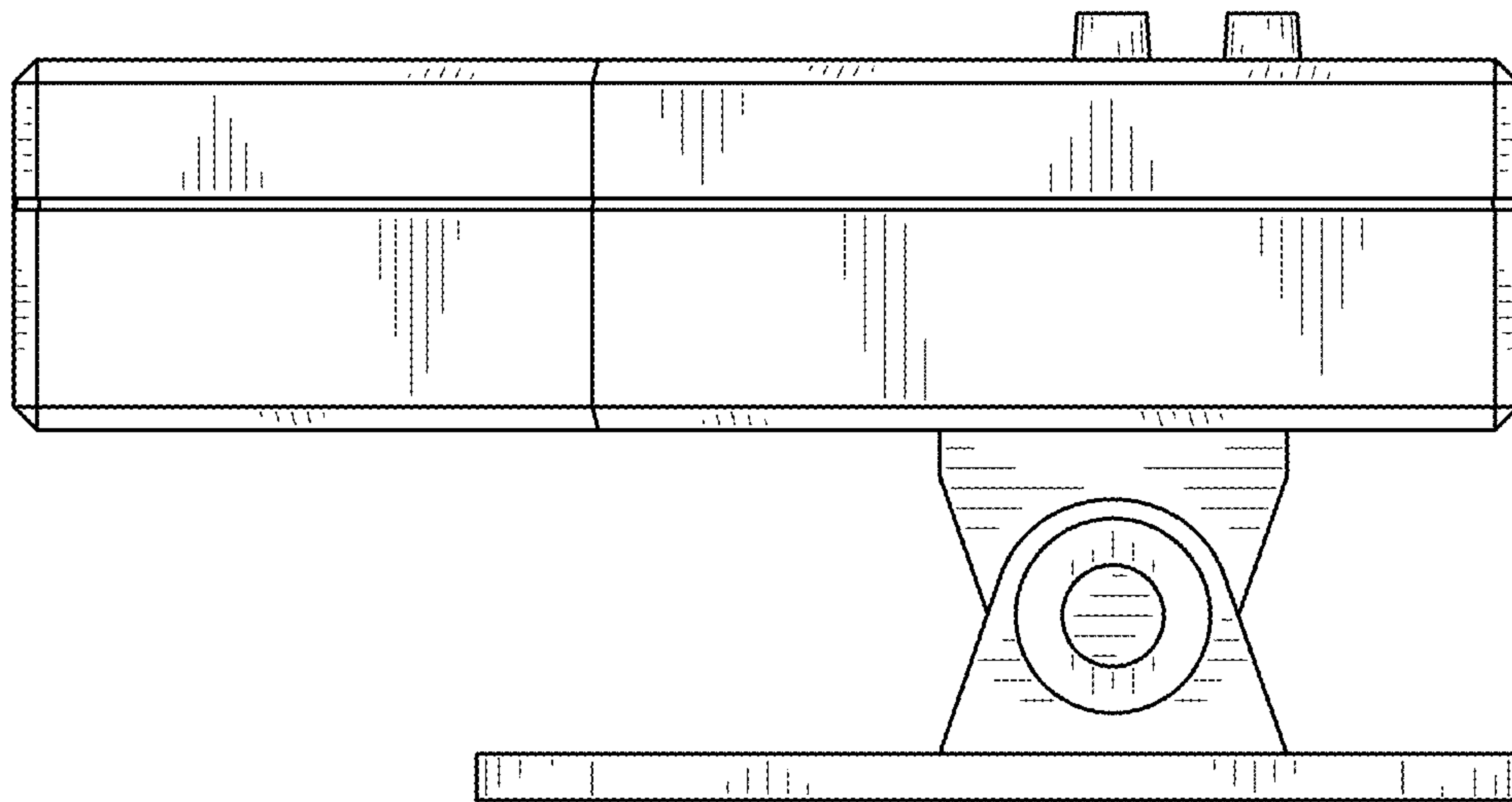


FIG. 4

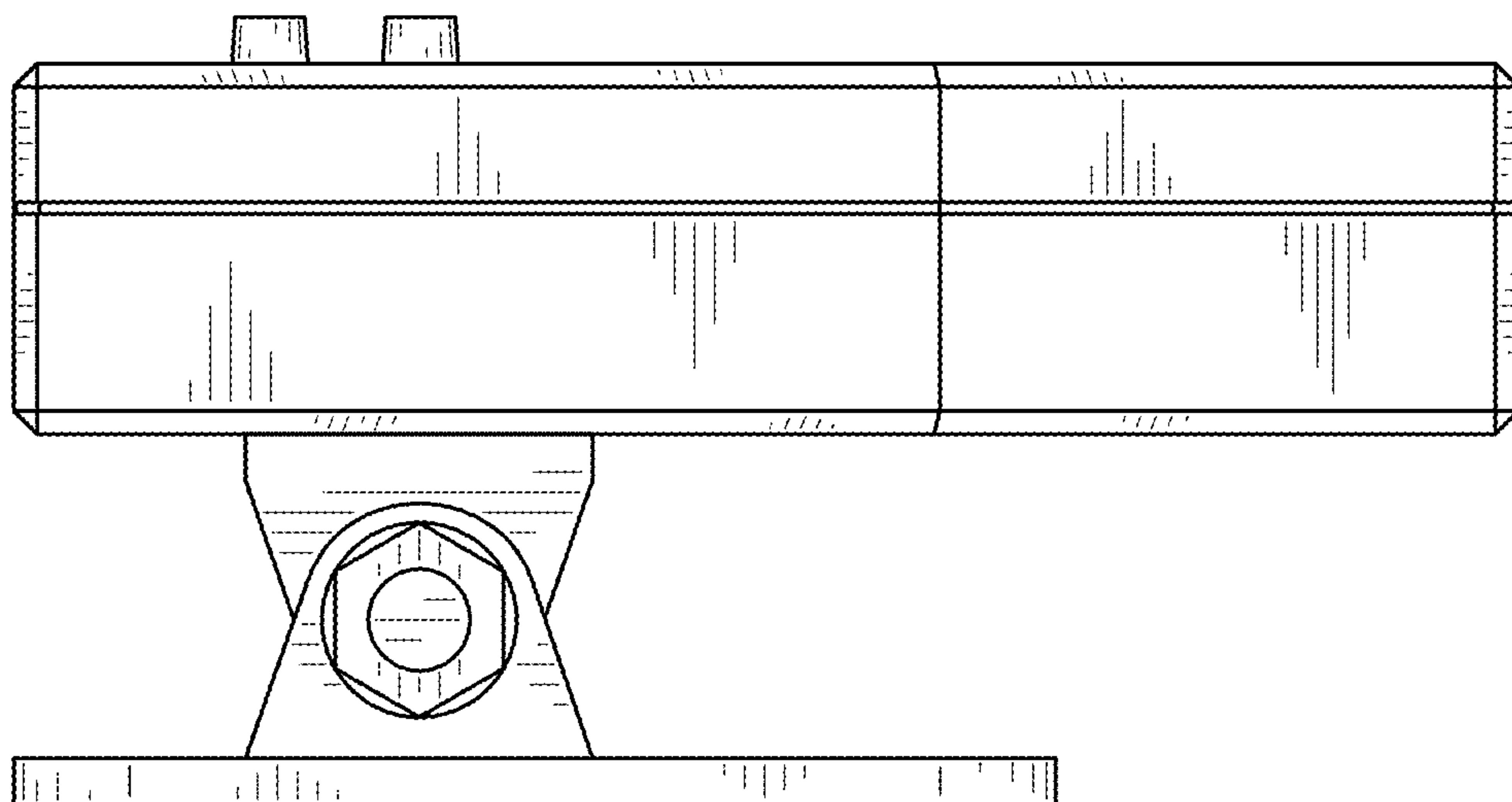


FIG. 5

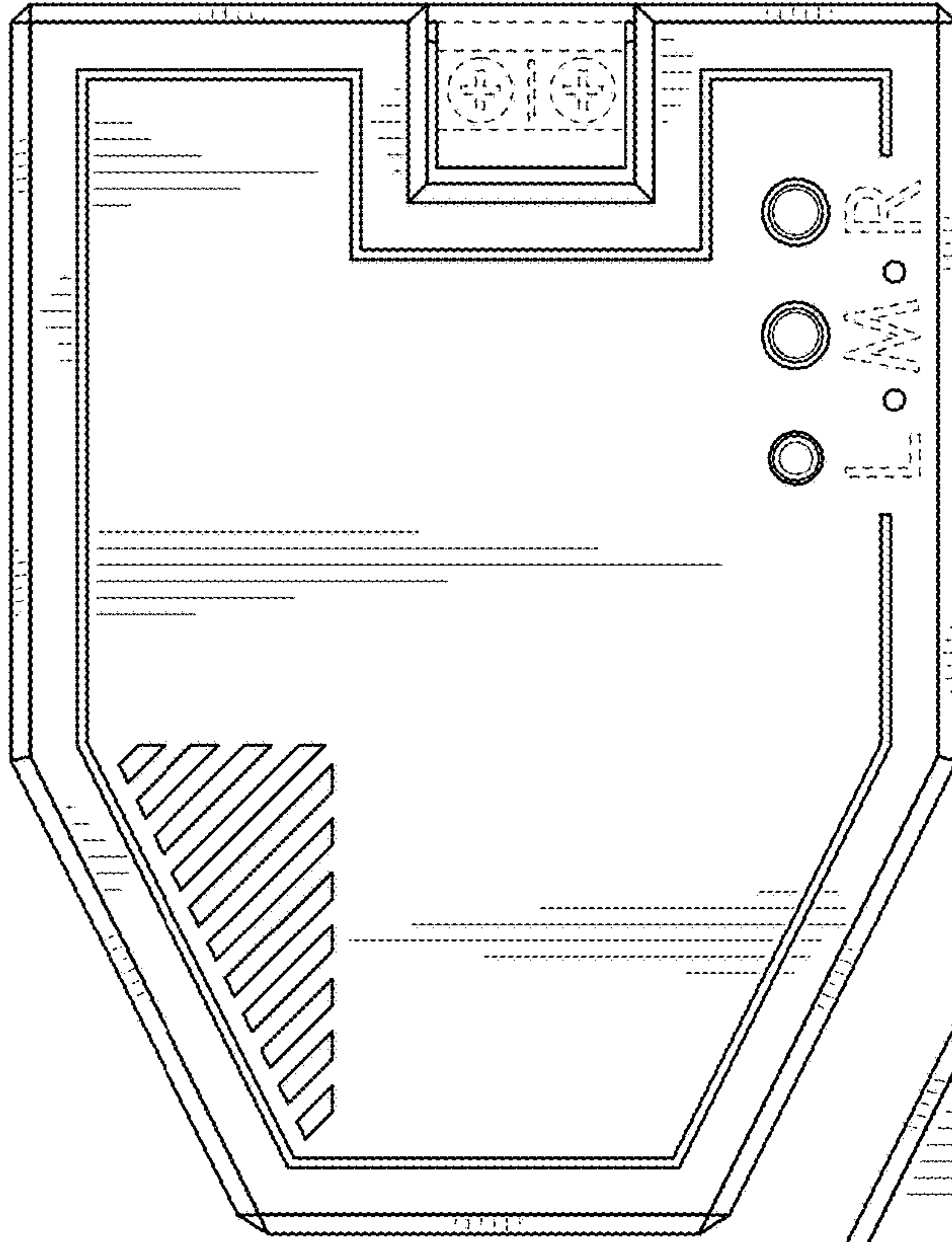


FIG. 6

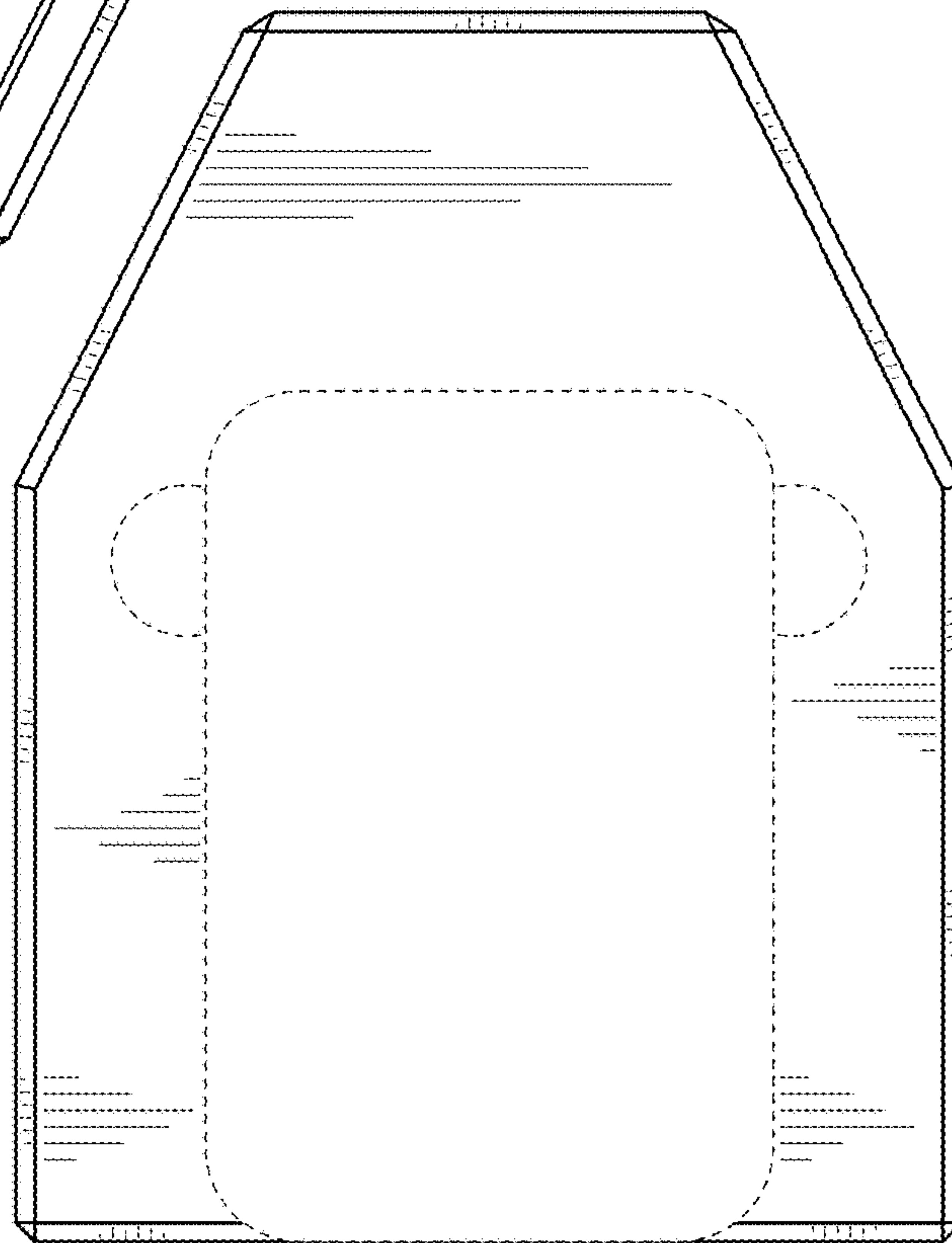


FIG. 7

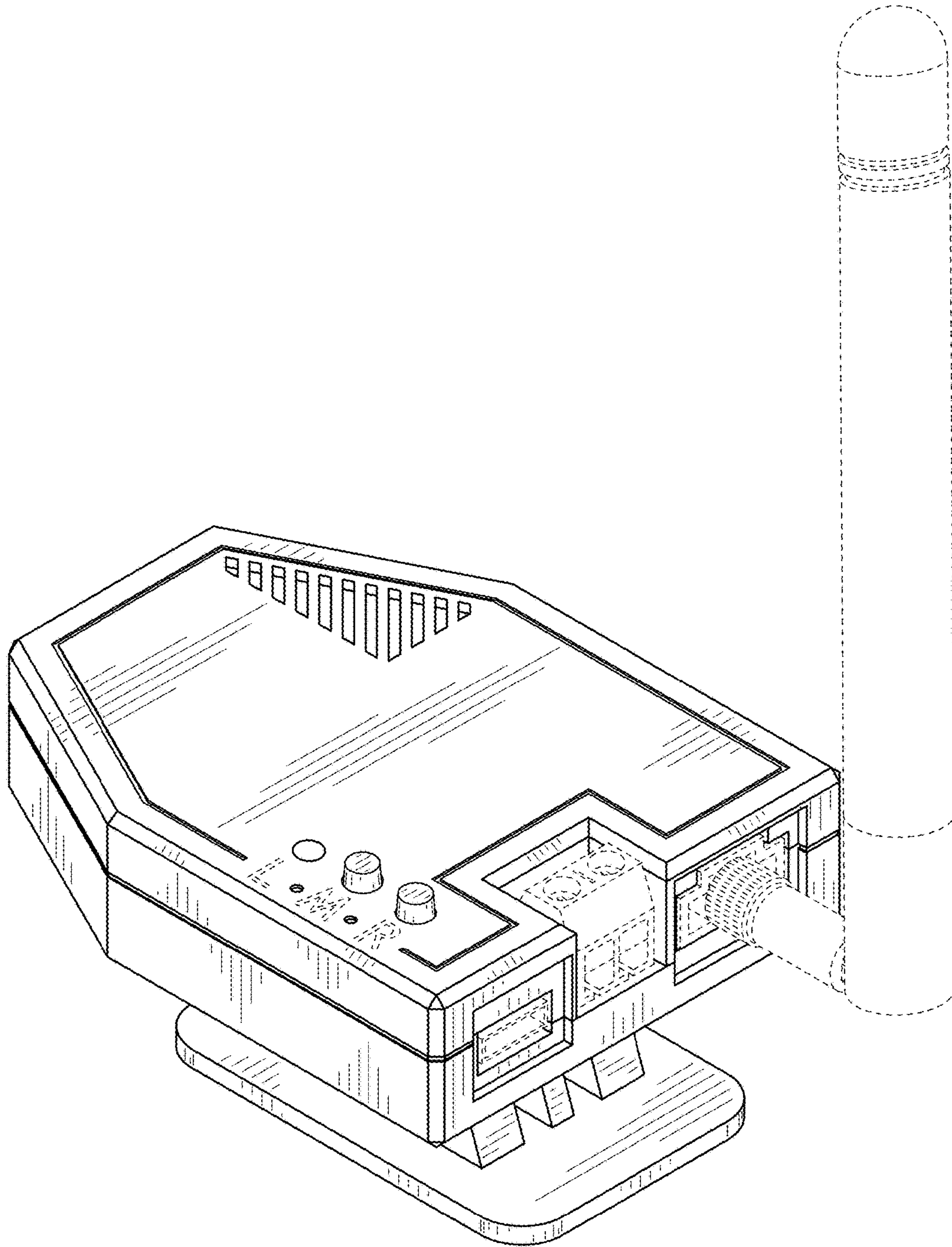


FIG. 8