



US00D832723S

(12) **United States Design Patent**
Dahill et al.

(10) **Patent No.:** **US D832,723 S**
(45) **Date of Patent:** **** Nov. 6, 2018**

(54) **TILE SPACER**

(71) Applicant: **TTI (MACAO COMMERCIAL OFFSHORE) LIMITED**, Macau (MO)

(72) Inventors: **Drew A. Dahill**, Pendleton, SC (US); **Clinton C. Thackery**, Clemson, SC (US); **Richard M. Davidian**, Pickens, SC (US); **Nicholas A. Costanzo**, Greenville, SC (US)

(73) Assignee: **TTI (MACAO COMMERCIAL OFFSHORE) LIMITED**, Macau (MO)

(**) Term: **15 Years**

(21) Appl. No.: **29/594,194**

(22) Filed: **Feb. 16, 2017**

(51) **LOC (11) Cl.** **08-05**

(52) **U.S. Cl.**
USPC **D10/64; D8/354**

(58) **Field of Classification Search**
USPC **D8/354; D10/64, 65**
CPC **E04F 21/0092; E04F 13/0832**
See application file for complete search history.

(56) **References Cited**

U.S. PATENT DOCUMENTS

D240,708 S	7/1976	Ilukowicz
D324,643 S	3/1992	Turek et al.
D334,133 S	3/1993	Hartzheim
D354,673 S	1/1995	Gavin
5,623,799 A	4/1997	Kowalski et al.

(Continued)

FOREIGN PATENT DOCUMENTS

CN	204311713 U	5/2015
DE	202011103629 U1	3/2012

(Continued)

Primary Examiner — Susan Bennett Hattan

Assistant Examiner — Leanne Was-Englehart

(74) *Attorney, Agent, or Firm* — Michael Best & Friedrich LLP

(57) **CLAIM**

We claim the ornamental design for a tile spacer, as shown and described.

DESCRIPTION

FIG. 1 is a top-front perspective view of a tile spacer according to an embodiment of the invention.

FIG. 2 is a top-rear perspective view of the tile spacer of FIG. 1.

FIG. 3 is a bottom-front perspective view of the tile spacer of FIG. 1.

FIG. 4 is a front view of the tile spacer of FIG. 1.

FIG. 5 is a rear view of the tile spacer of FIG. 1.

FIG. 6 is a left view of the tile spacer of FIG. 1.

FIG. 7 is a right view of the tile spacer of FIG. 1.

FIG. 8 is a top view of the tile spacer of FIG. 1.

FIG. 9 is a bottom view of the tile spacer of FIG. 1.

FIG. 10 is a top-front perspective view of a tile spacer according to an embodiment of the invention.

FIG. 11 is a top-rear perspective view of the tile spacer of FIG. 10.

FIG. 12 is a bottom-front perspective view of the tile spacer of FIG. 10.

FIG. 13 is a front view of the tile spacer of FIG. 10.

FIG. 14 is a rear view of the tile spacer of FIG. 10.

FIG. 15 is a left view of the tile spacer of FIG. 10.

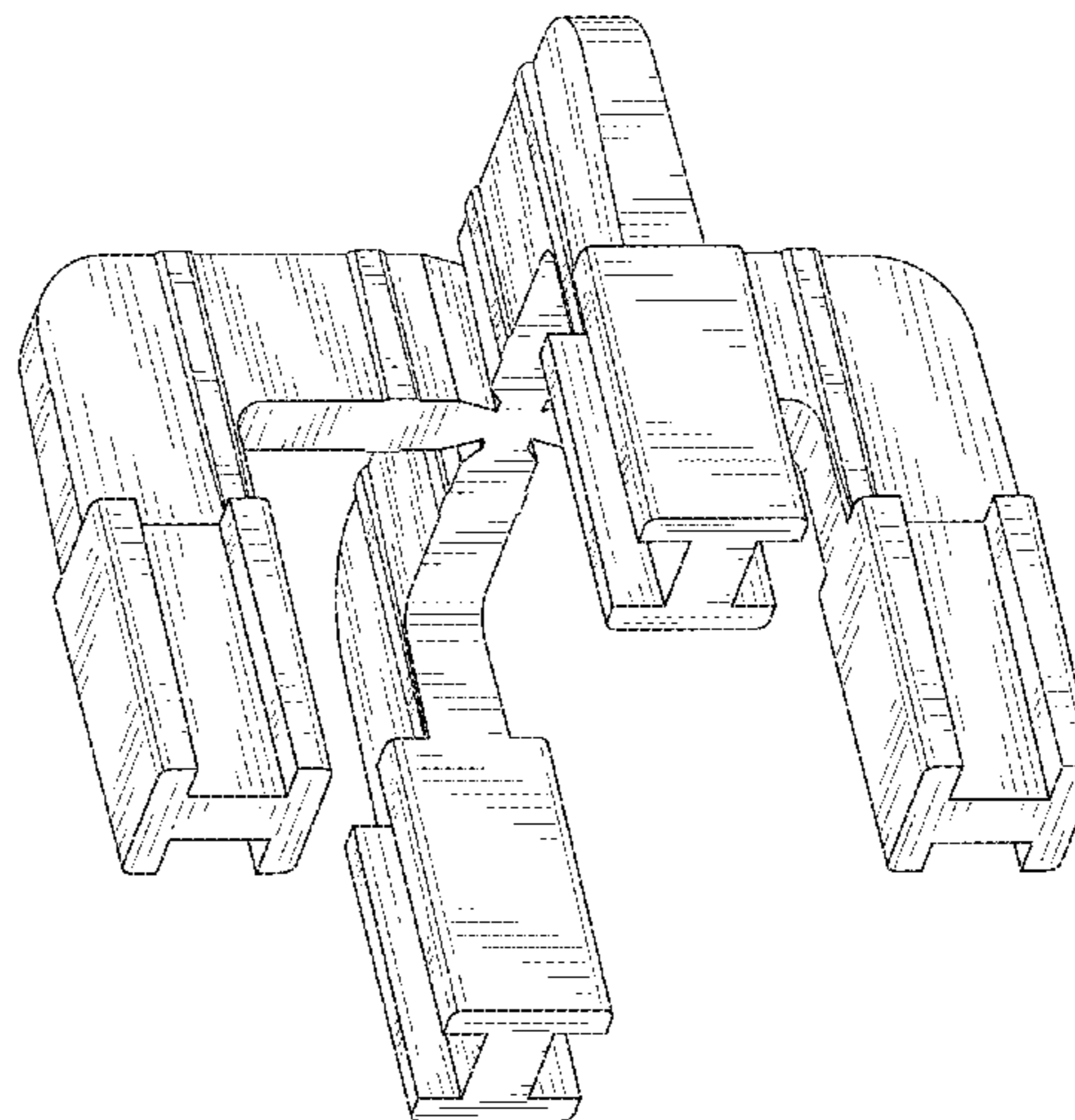
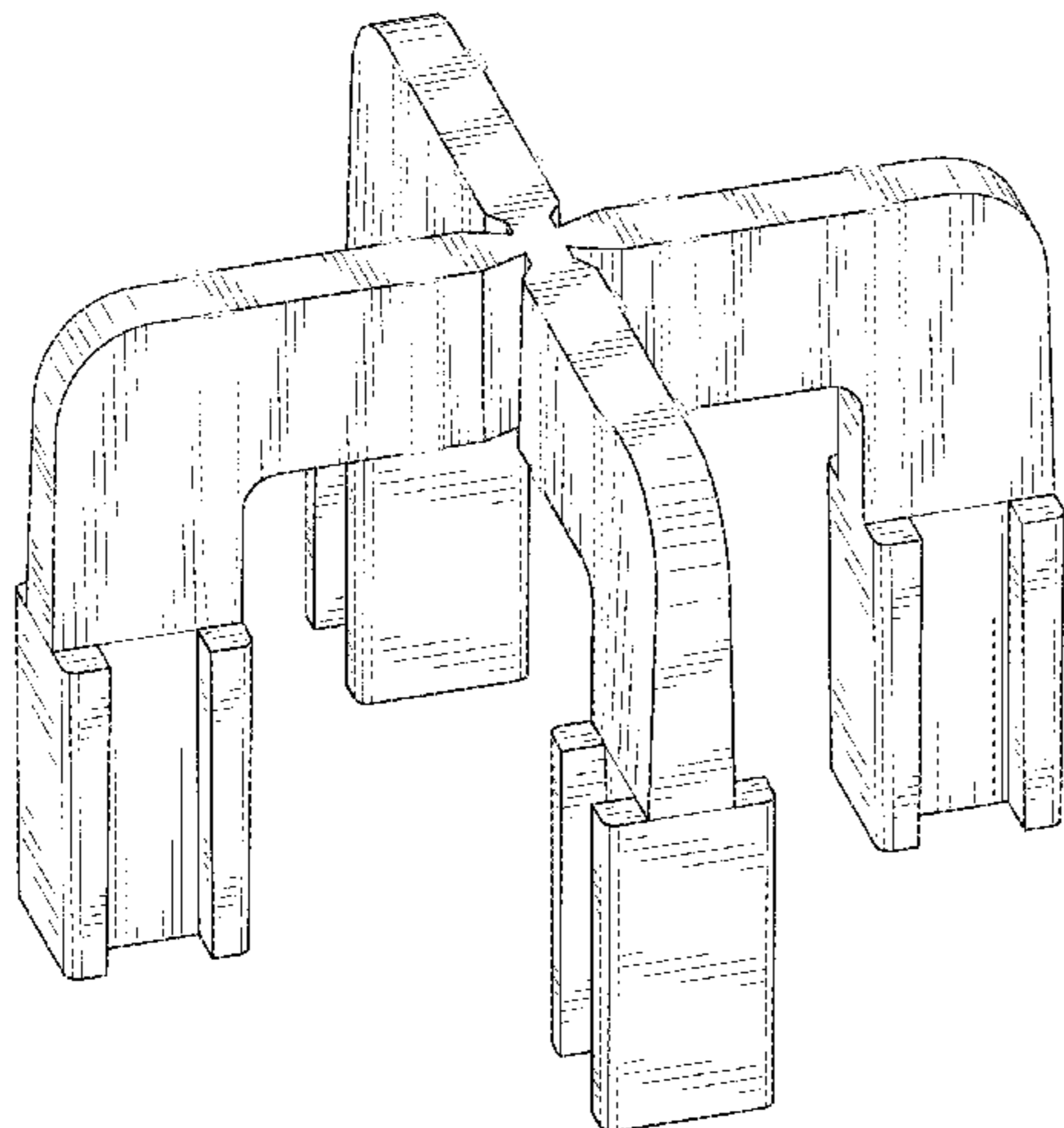
FIG. 16 is a right view of the tile spacer of FIG. 10.

FIG. 17 is a top view of the tile spacer of FIG. 10; and,

FIG. 18 is a bottom view of the tile spacer of FIG. 10.

The portions of the tile spacer shown in broken lines are included for the purpose of illustrating environment and form no part of the claimed design. The portions of the tile spacer shown in broken lines having unequal length segments illustrate the boundary of the claimed design and form no part of the claimed design.

1 Claim, 14 Drawing Sheets



(56)

References Cited

U.S. PATENT DOCUMENTS

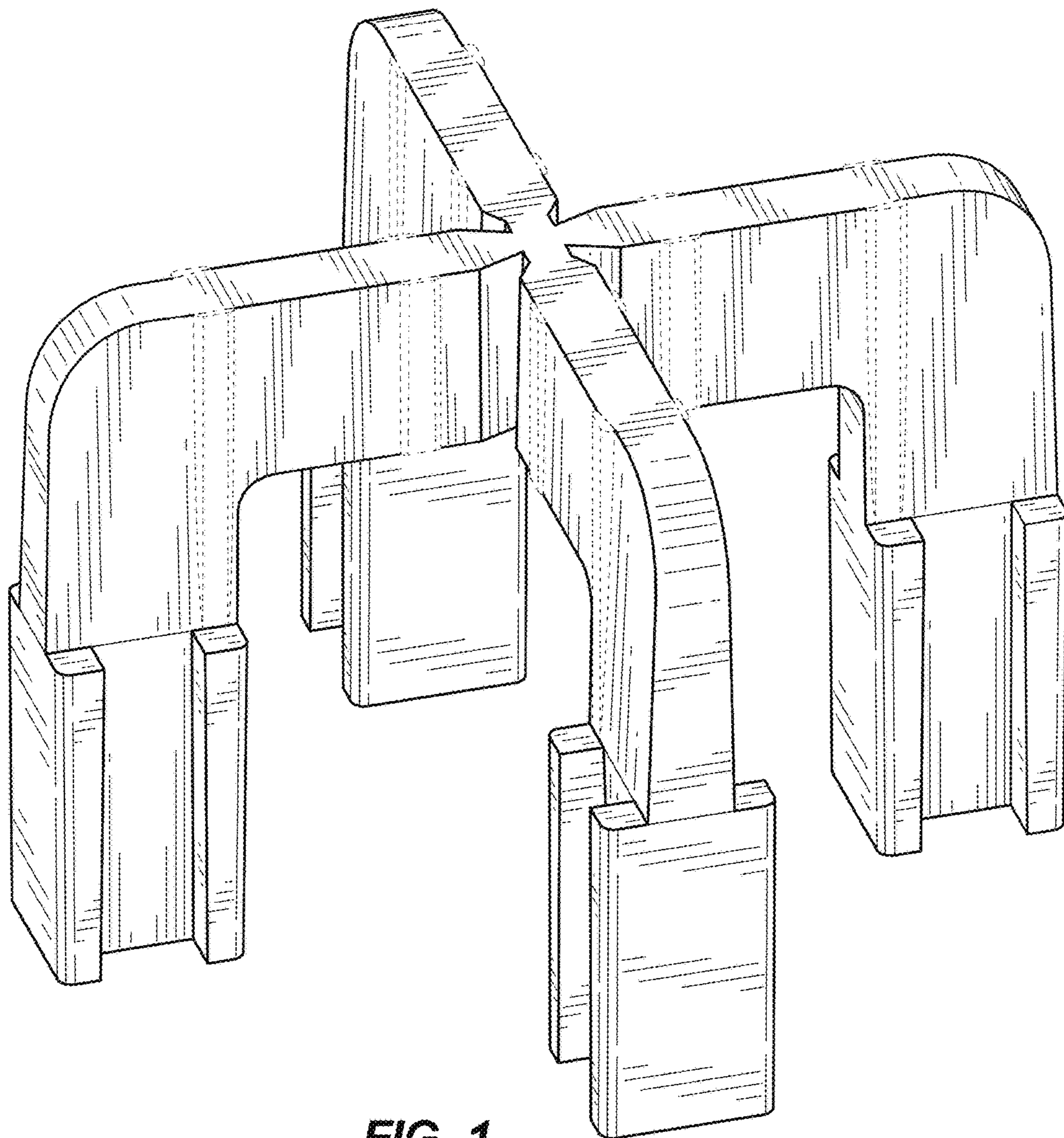
D388,312 S 12/1997 Sorkin
 D466,380 S * 12/2002 Dickson D8/14
 6,702,515 B1 3/2004 Frederiksen
 D492,210 S * 6/2004 Shilo D10/64
 6,769,191 B1 * 8/2004 Zusman E04F 21/0092
 33/526
 D495,504 S 9/2004 Sorkin
 D497,055 S 10/2004 Sorkin
 D500,668 S 1/2005 Kelly et al.
 6,874,242 B2 * 4/2005 Shilo E04F 21/0092
 33/526
 D504,805 S 5/2005 Sorkin
 D542,161 S 5/2007 Skillings
 7,257,926 B1 8/2007 Kirby
 D576,504 S 9/2008 Rider
 7,475,488 B2 1/2009 Symington
 7,516,558 B2 4/2009 Frank et al.
 7,536,802 B1 5/2009 Tavy et al.
 7,698,831 B2 * 4/2010 Higgs E04F 21/0092
 15/105.5
 7,818,923 B2 * 10/2010 Alvarez E04F 21/0092
 33/526
 D627,623 S 11/2010 Densmore
 D632,948 S 2/2011 Travis
 D637,505 S * 5/2011 Adkins D10/65
 7,946,093 B1 * 5/2011 Sturino E04F 21/0092
 33/527
 7,992,354 B2 8/2011 Doda, Jr.
 8,205,348 B2 * 6/2012 Baros E04F 21/0092
 33/526
 D665,657 S 8/2012 Pelc
 D678,039 S * 3/2013 Psaila D8/354
 D679,173 S 4/2013 Parady et al.
 8,607,468 B2 12/2013 Hillebrandt

8,635,815 B2 1/2014 Bordin
 8,720,143 B2 * 5/2014 Noutsis E04F 13/0832
 33/533
 9,121,187 B1 * 9/2015 Bunch E04F 21/0092
 D743,241 S 11/2015 Nieves, Sr.
 9,260,872 B2 2/2016 Bunch et al.
 9,279,259 B1 3/2016 Russo
 9,322,185 B1 4/2016 Russo
 9,328,522 B2 5/2016 Bordin
 D758,218 S * 6/2016 Bunch D10/64
 D758,899 S * 6/2016 Bunch D10/64
 9,765,532 B2 * 9/2017 Bunch E04F 21/0092
 2002/0121027 A1 * 9/2002 Kruskamp E04F 21/0092
 33/526
 2004/0060184 A1 * 4/2004 Shilo E04F 21/0092
 33/526
 2004/0250435 A1 * 12/2004 Fiore E04F 21/0092
 33/527
 2005/0214502 A1 * 9/2005 Westthorp E04F 13/08
 428/98
 2009/0126213 A1 * 5/2009 Tavy E04F 21/0092
 33/527
 2015/0197946 A1 7/2015 Tooma
 2015/0211243 A1 7/2015 Irvine et al.
 2015/0354231 A1 * 12/2015 Bordin E04F 21/20
 52/126.6
 2016/0032598 A1 2/2016 Anderson
 2016/0369518 A1 * 12/2016 Sarajian E04F 21/22

FOREIGN PATENT DOCUMENTS

EP 1059398 A1 12/2000
 EP 1059399 A1 12/2000
 EP 1111157 A1 6/2001
 GB 2426027 A 11/2006

* cited by examiner



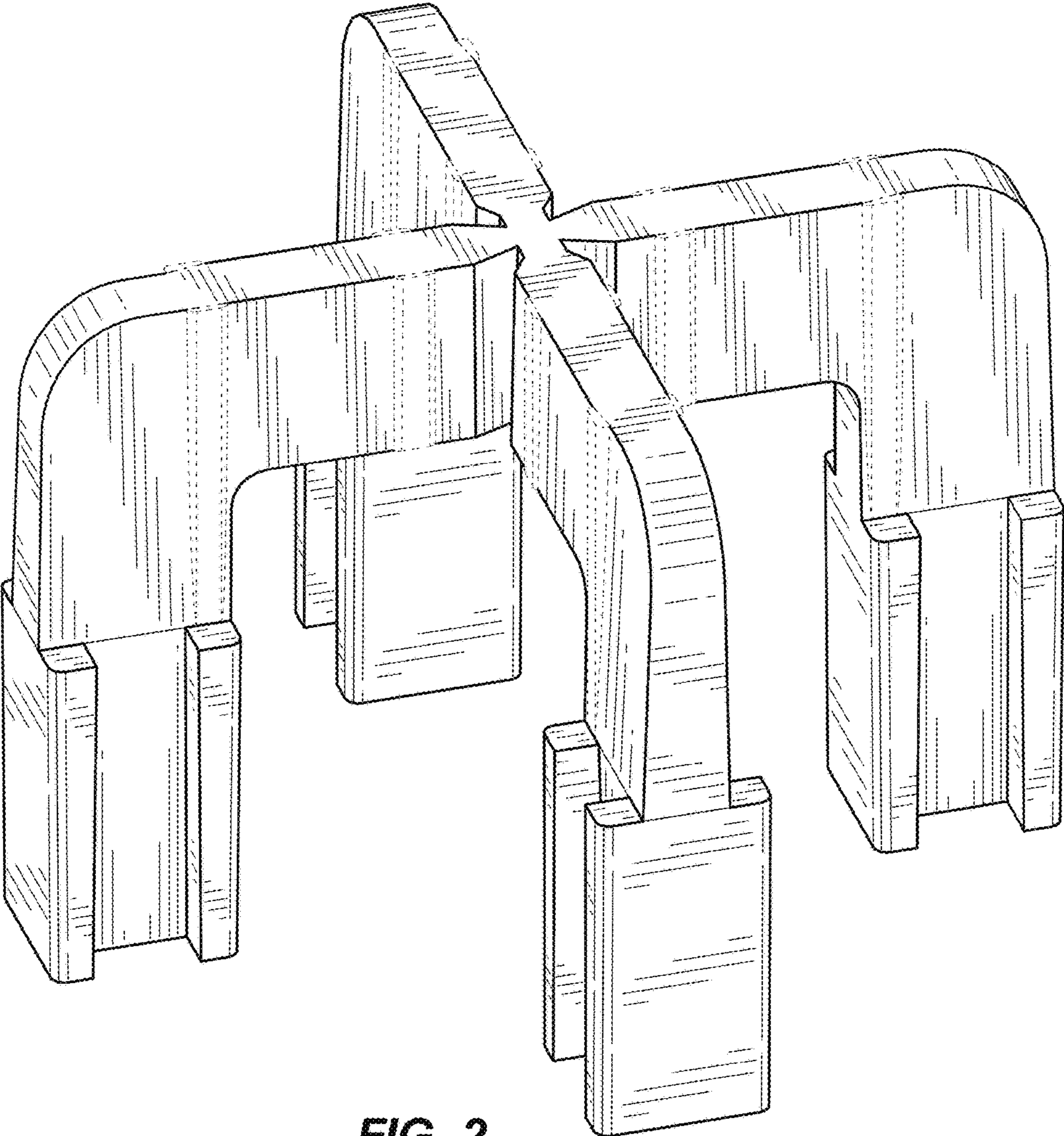
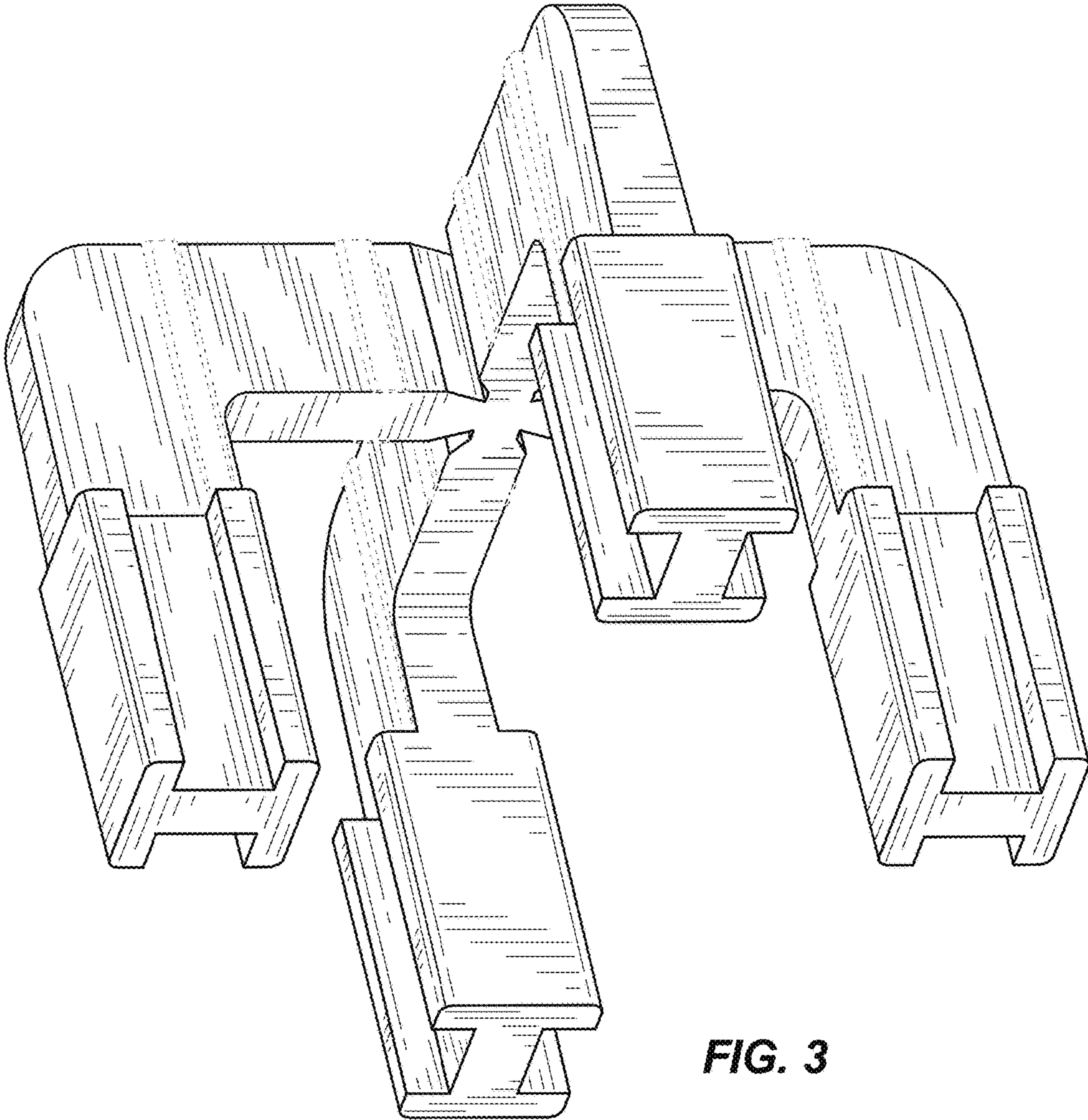


FIG. 2



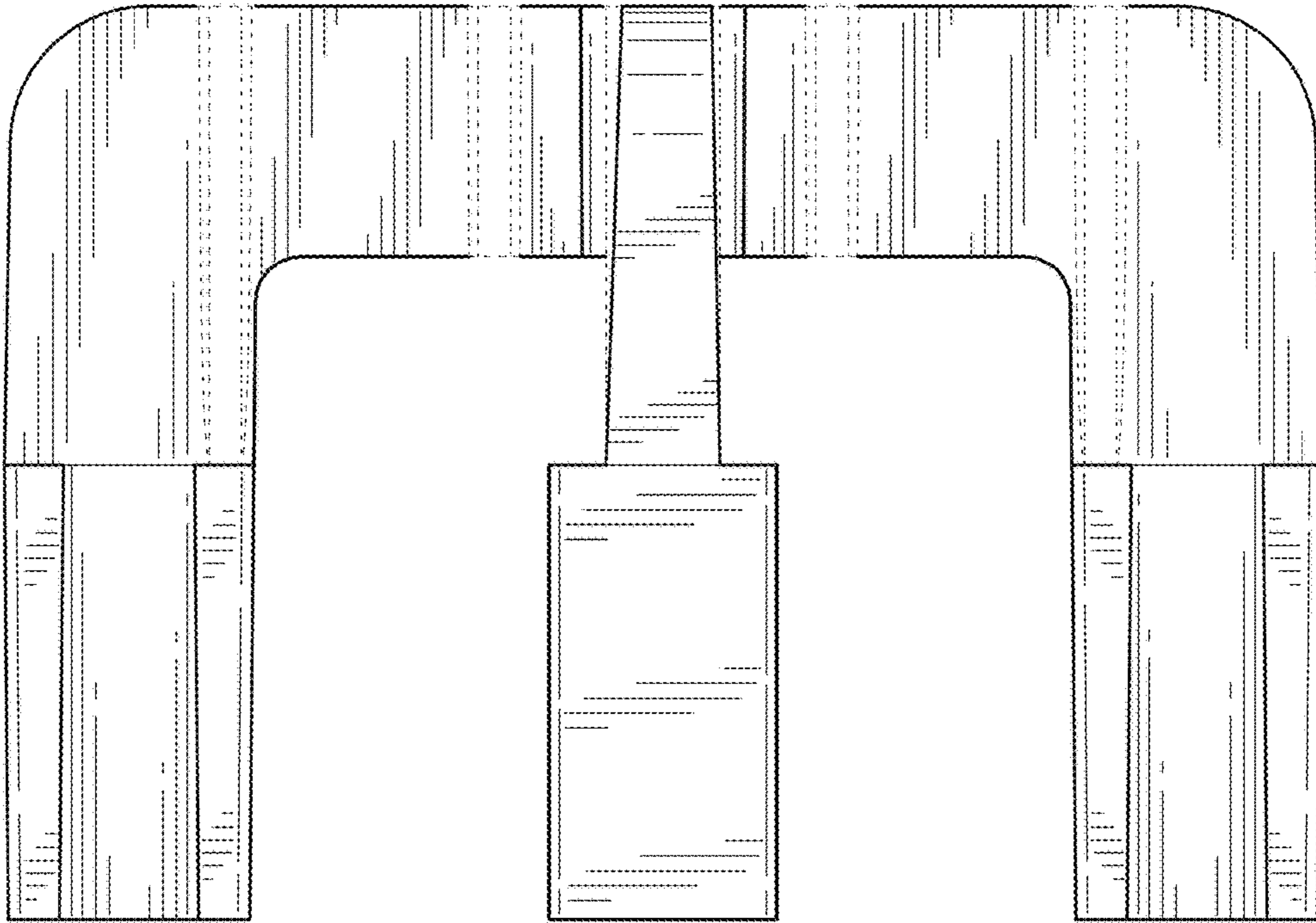


FIG. 4

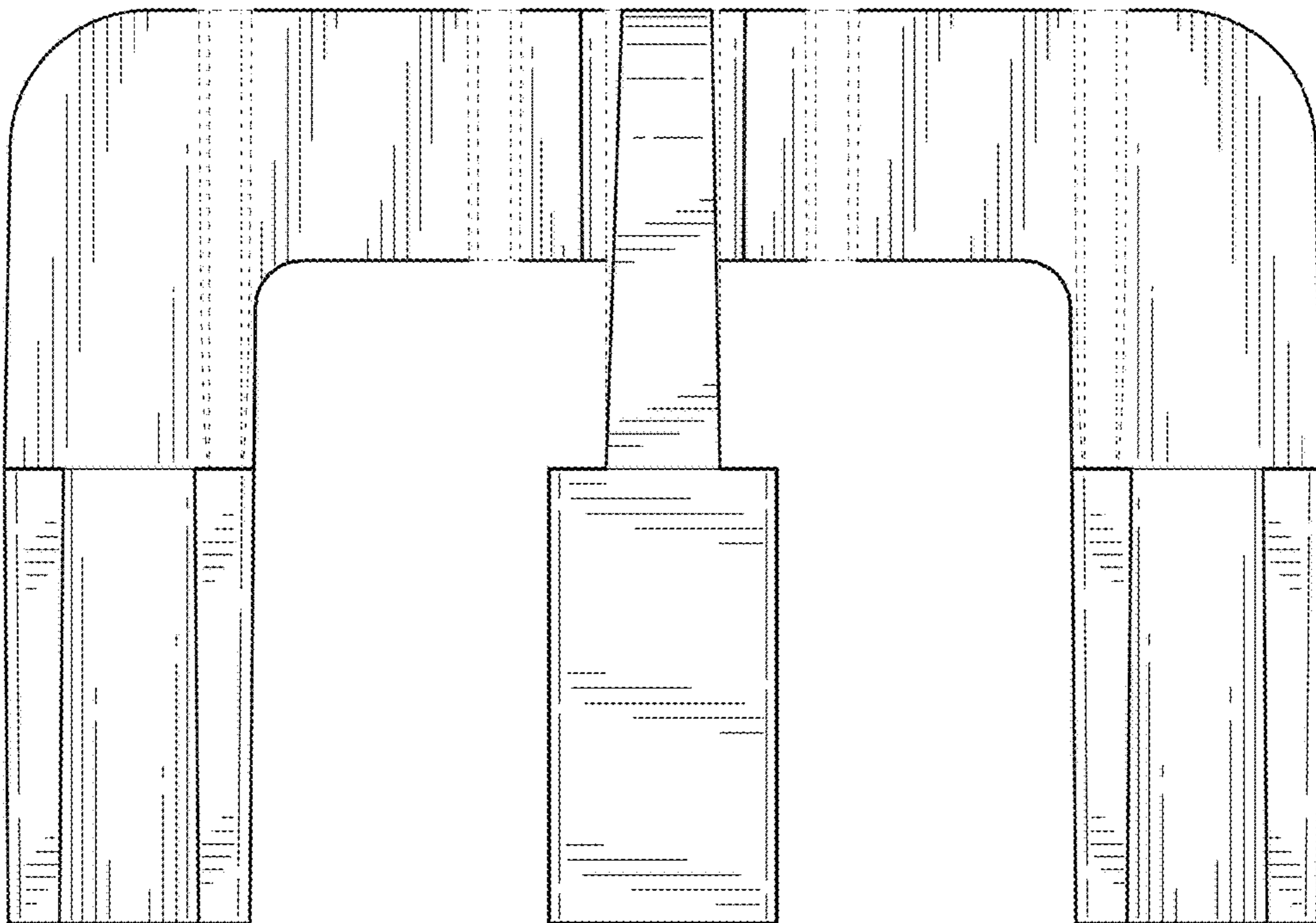


FIG. 5

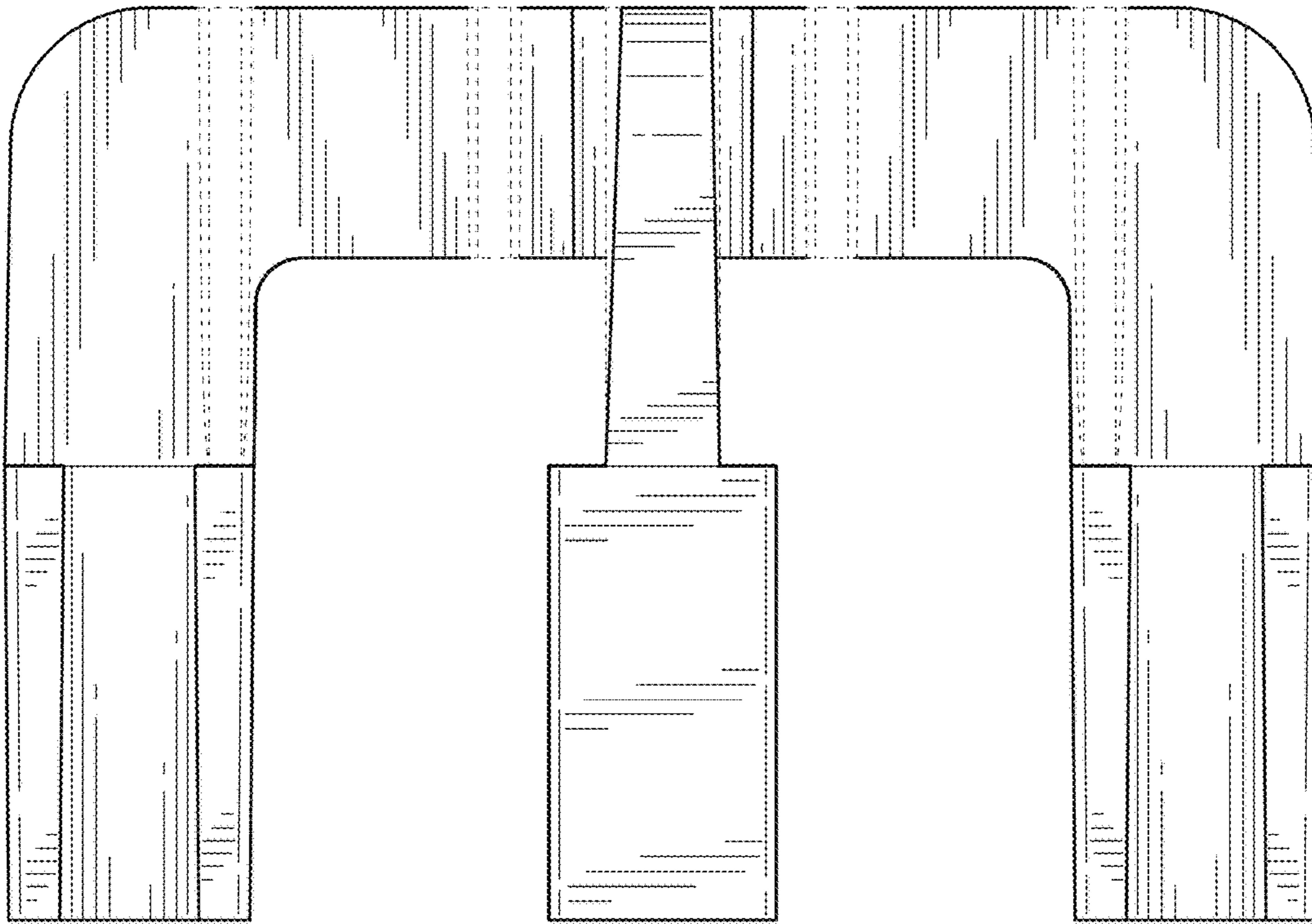


FIG. 6

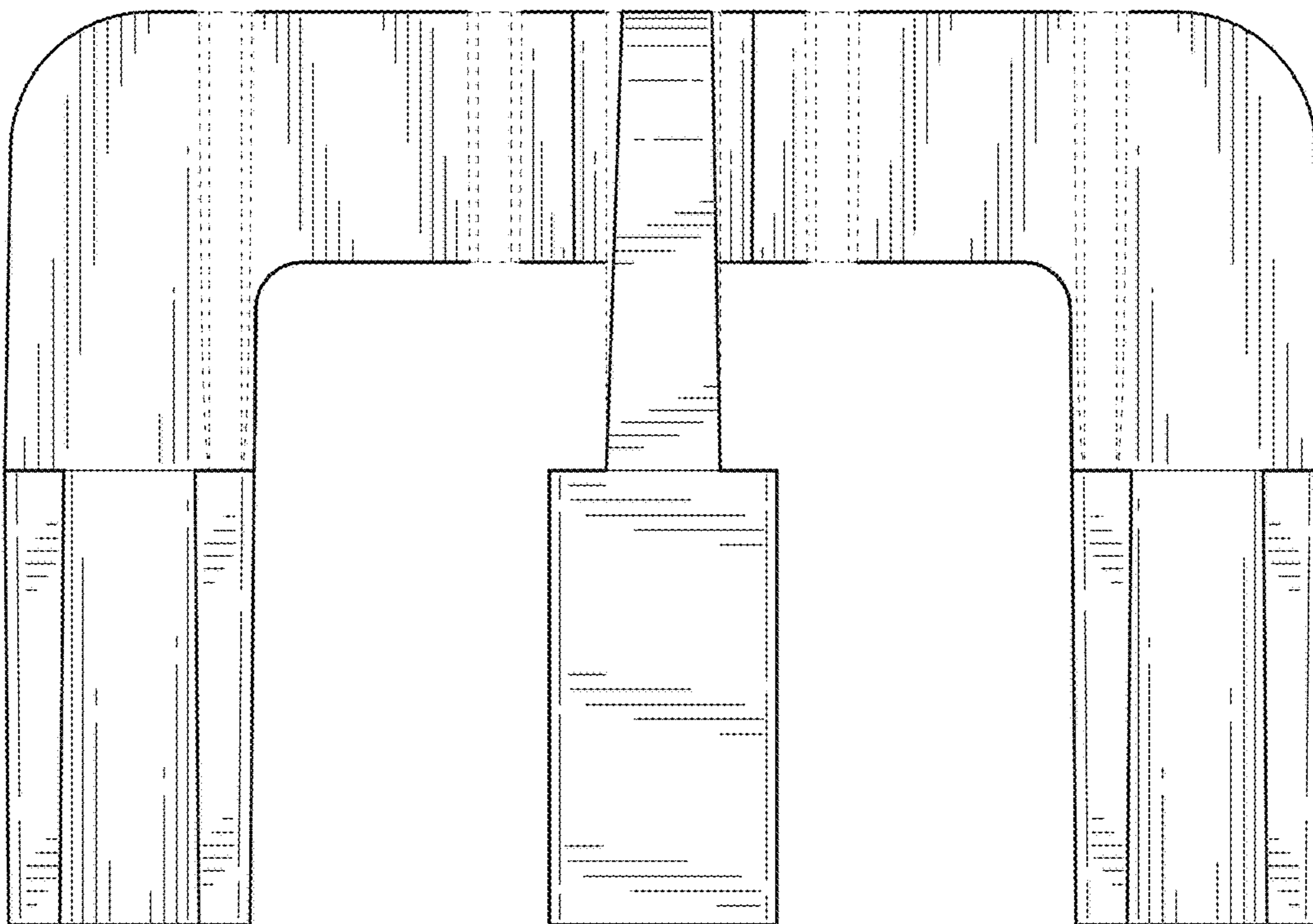


FIG. 7

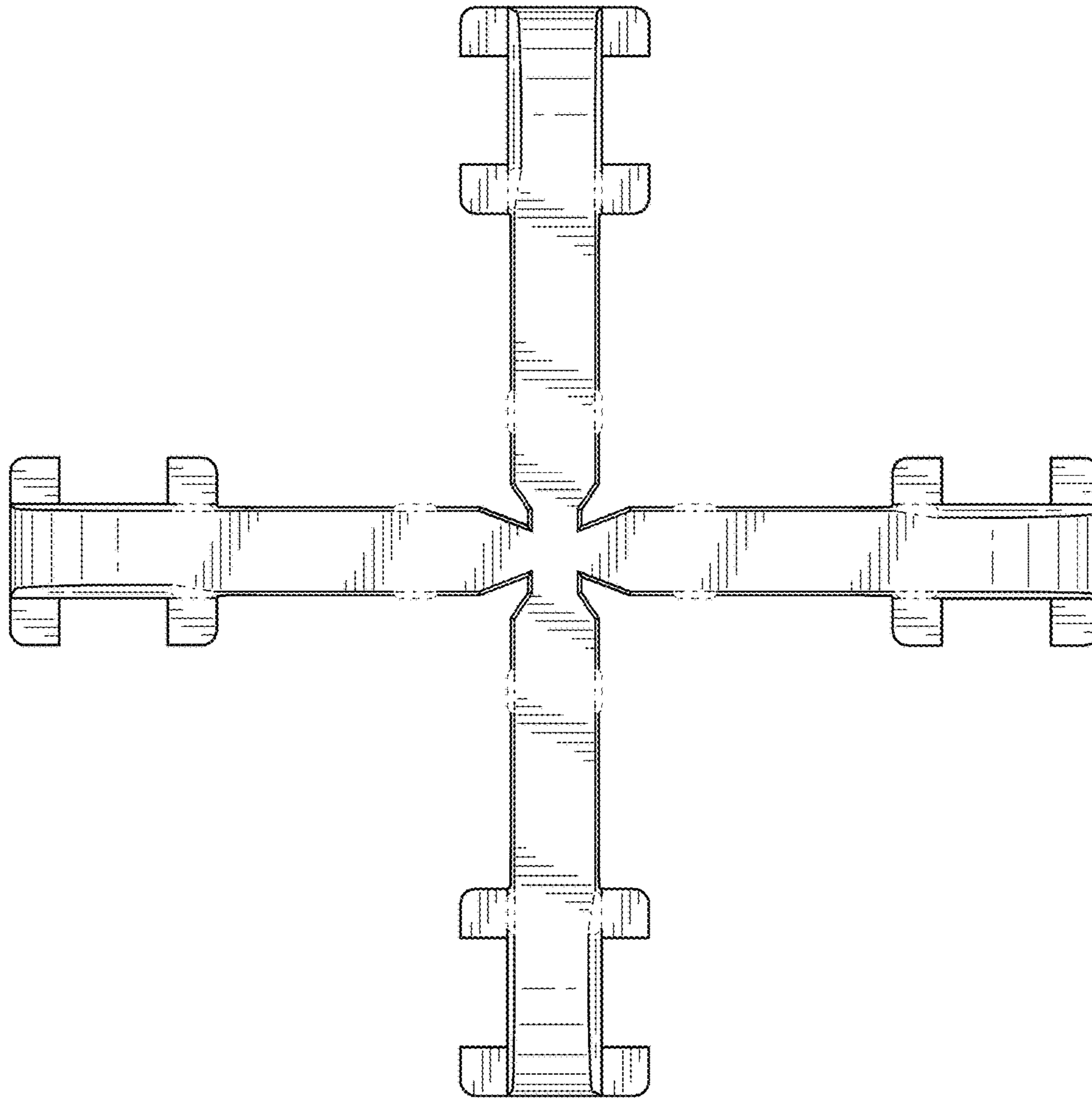


FIG. 8

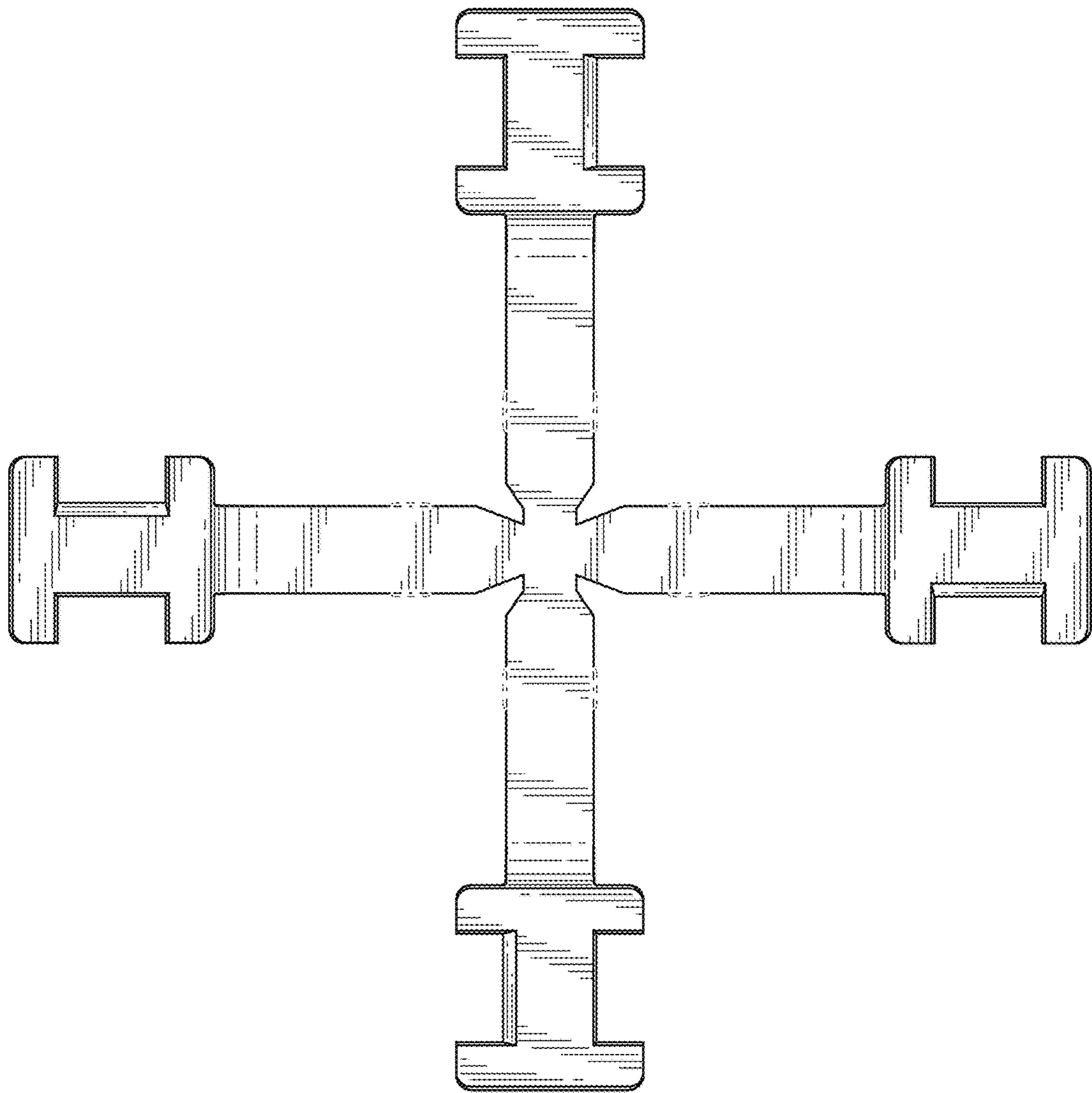


FIG. 9

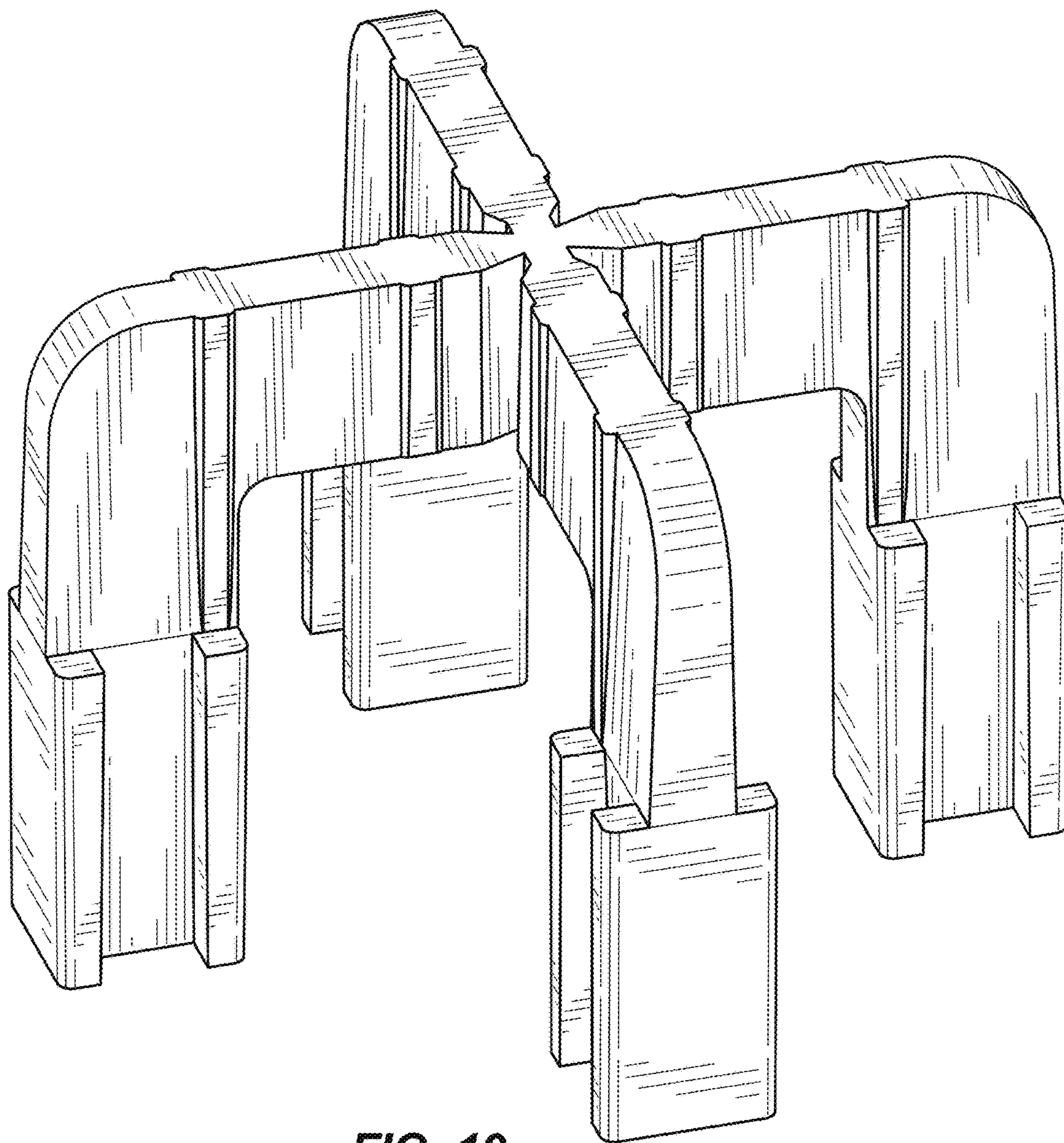


FIG. 10

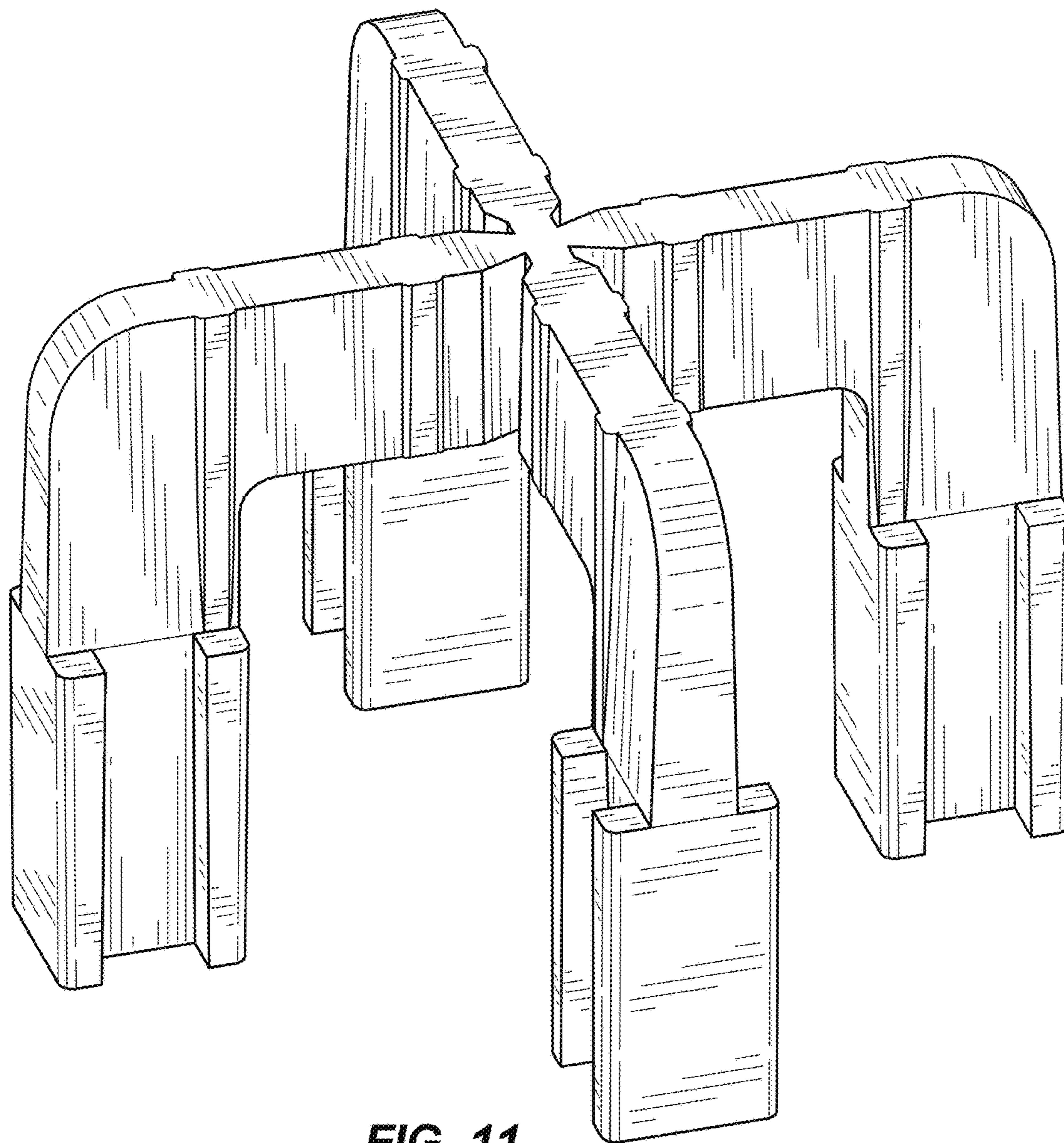


FIG. 11

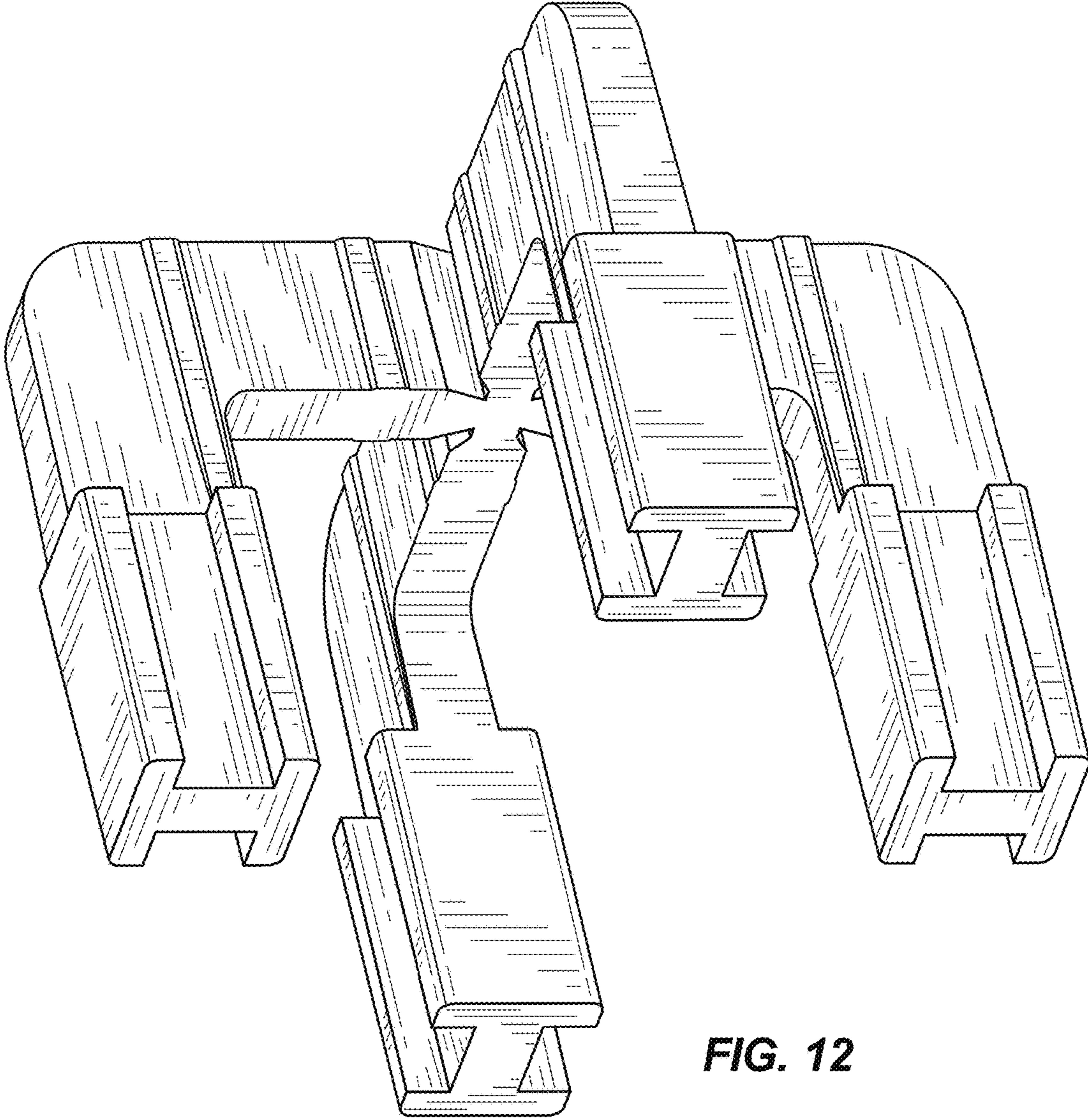


FIG. 12

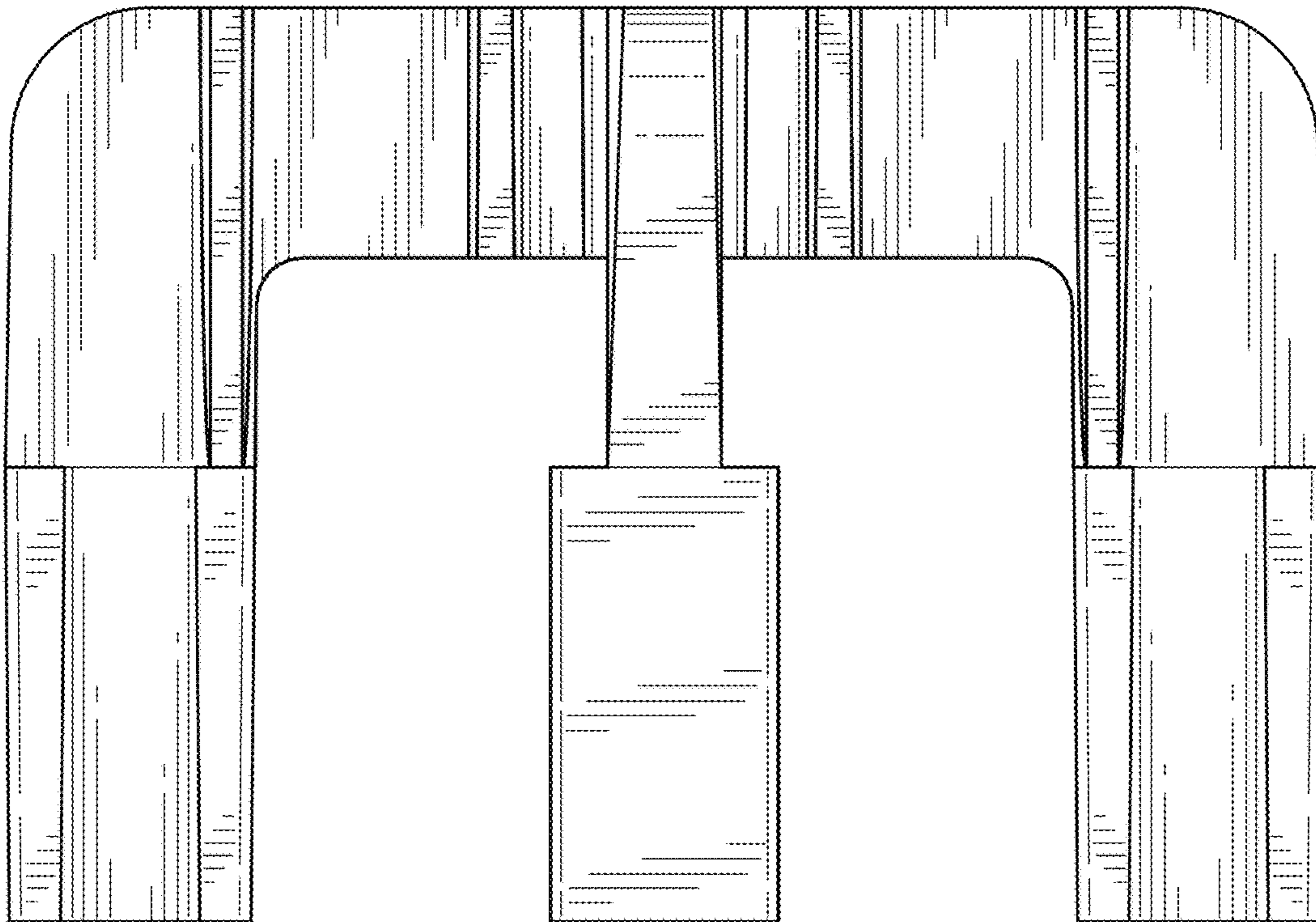


FIG. 13

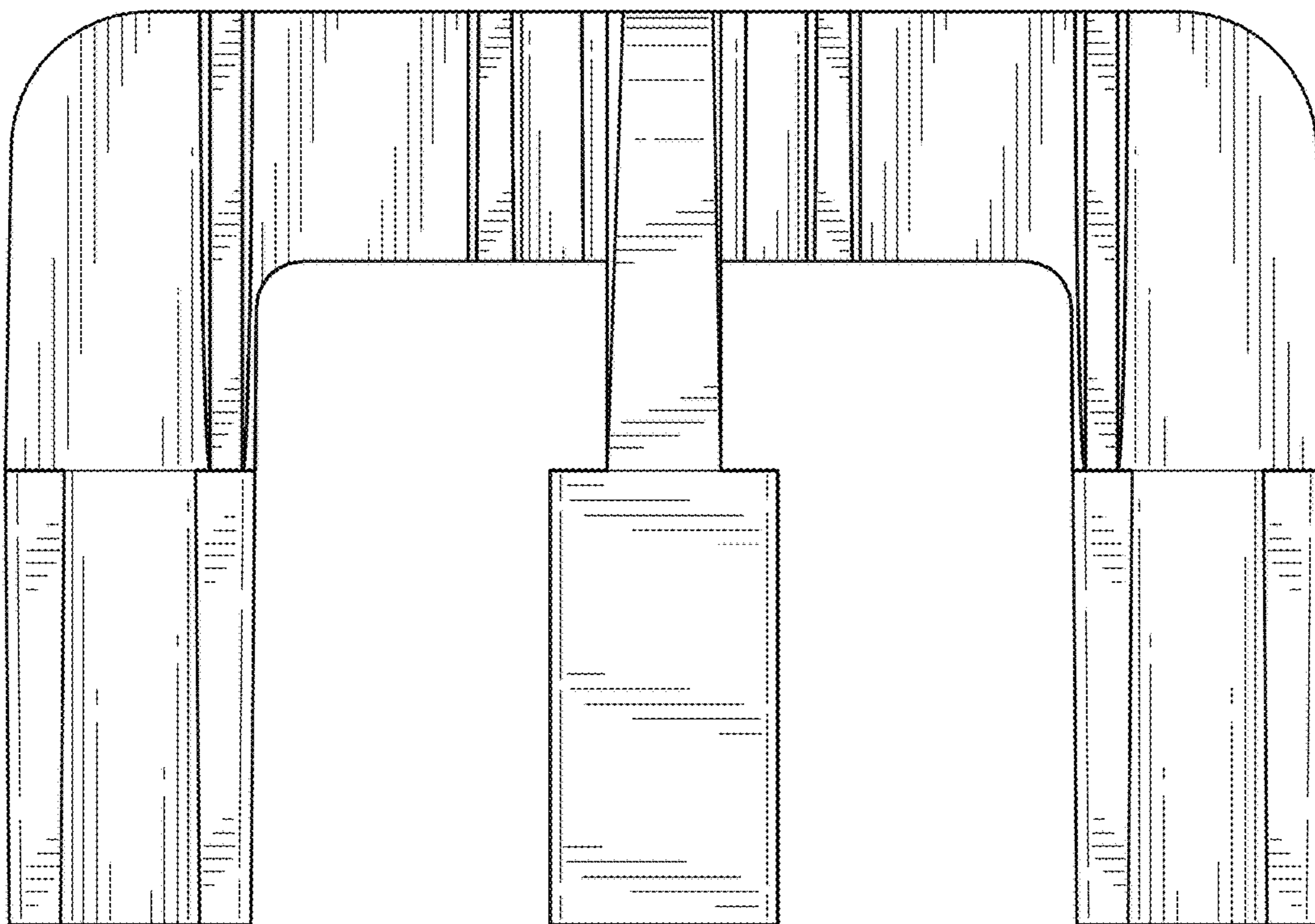


FIG. 14

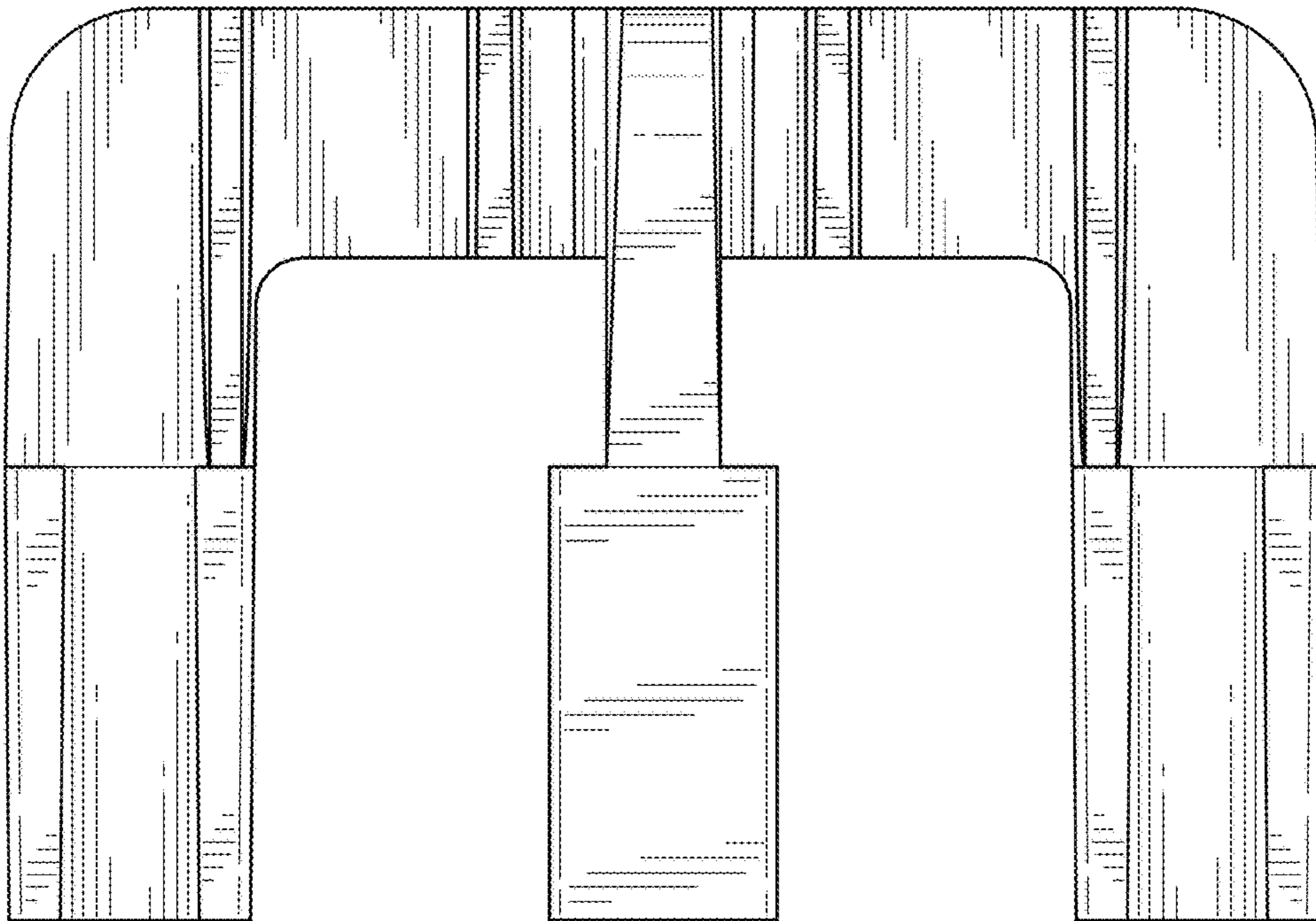


FIG. 15

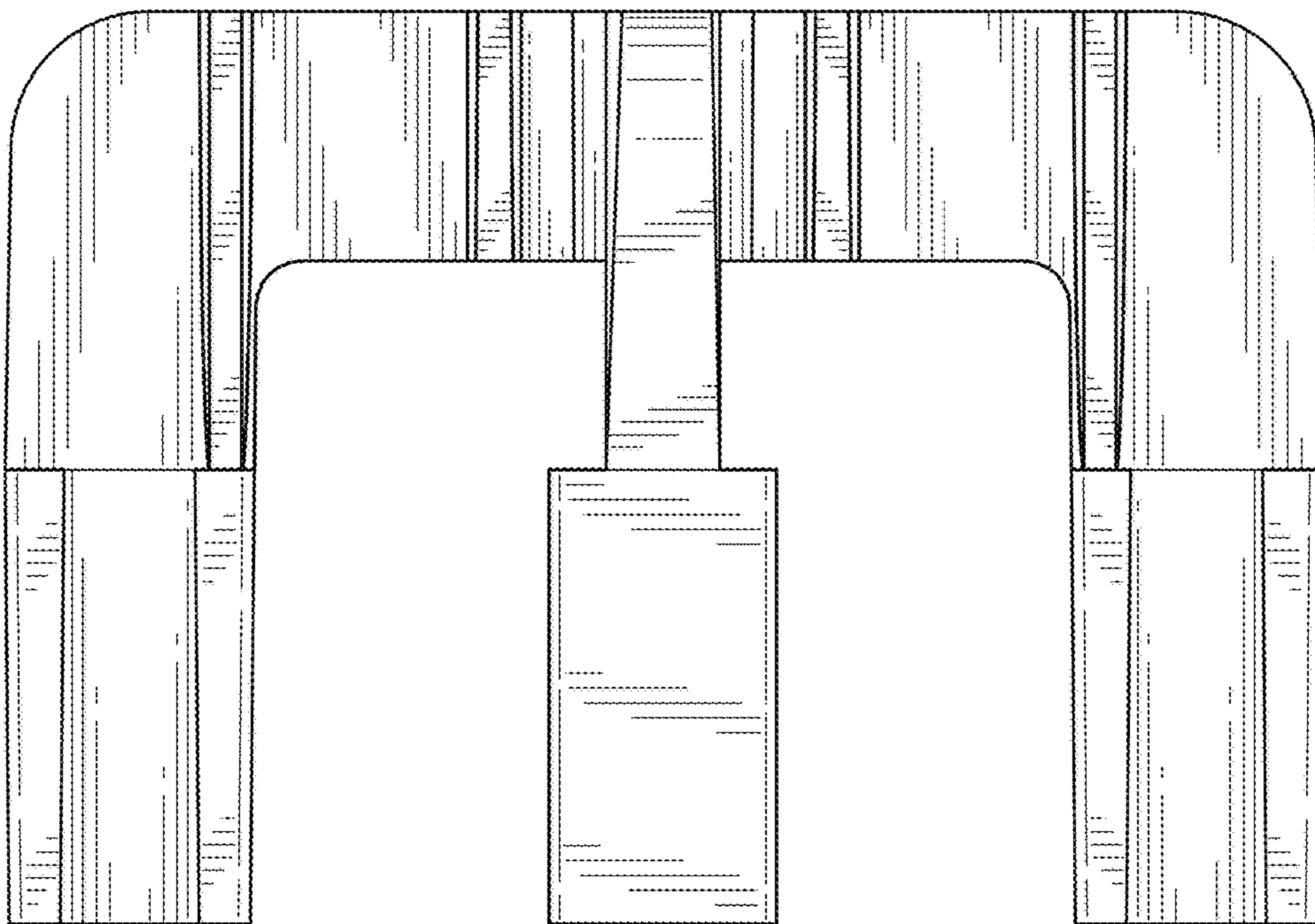


FIG. 16

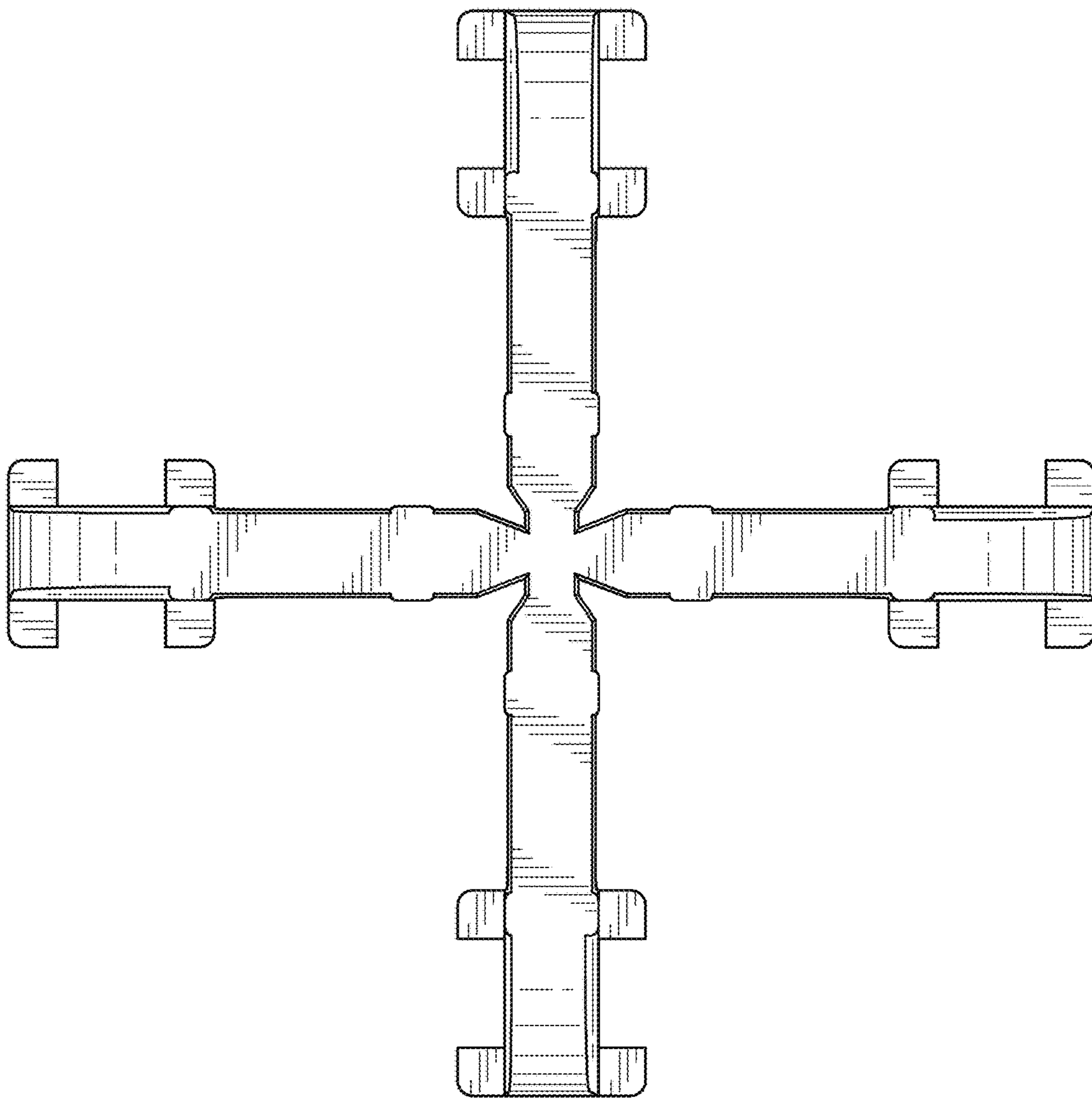


FIG. 17

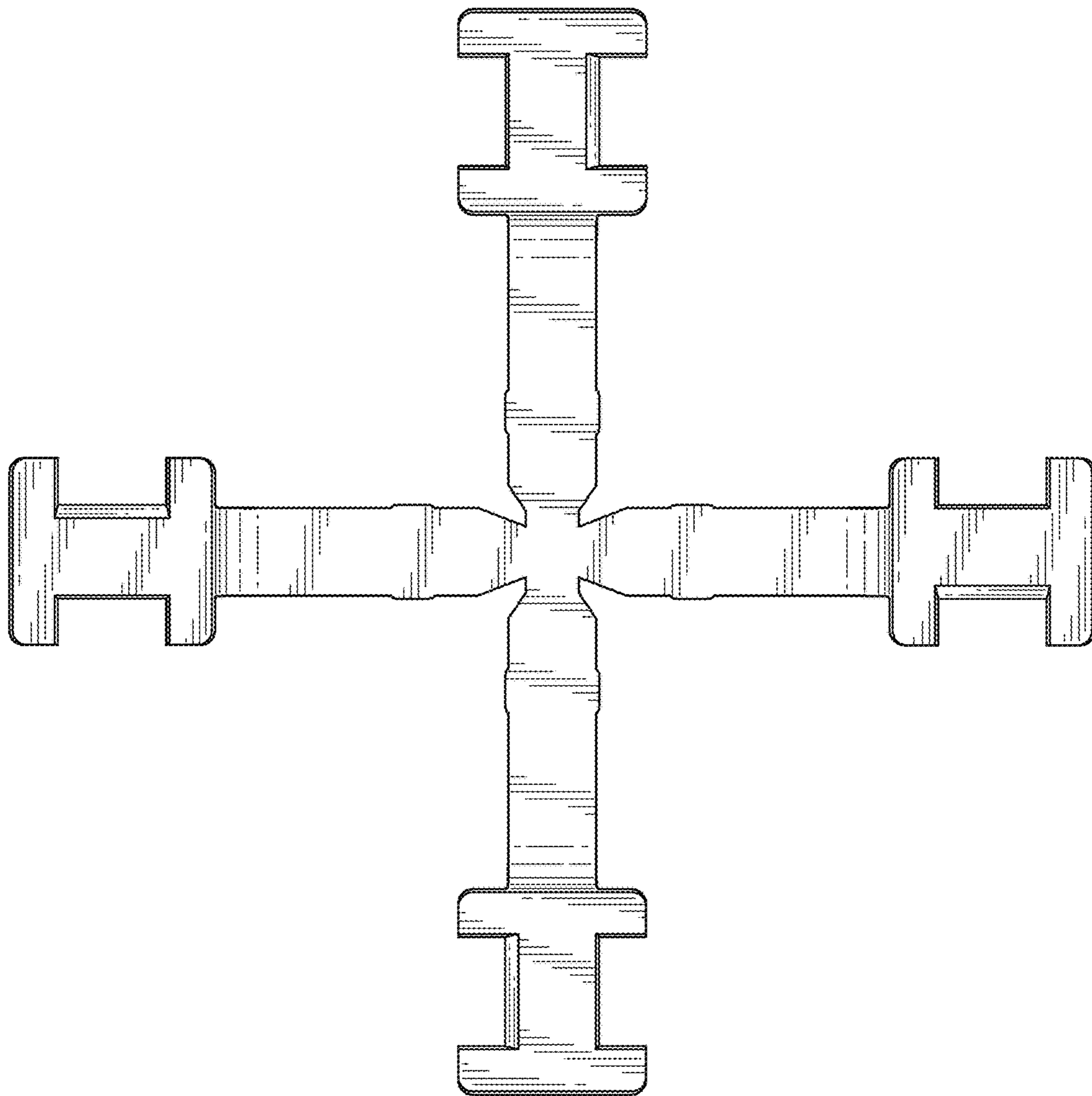


FIG. 18