



US00D832721S

(12) **United States Design Patent** (10) **Patent No.:** **US D832,721 S**
Nussbaumer (45) **Date of Patent:** **** Nov. 6, 2018**

(54) **WATCH**
(71) Applicant: **HYT SA**, Neuchatel (CH)
(72) Inventor: **Nicolas Bartholome Nussbaumer**,
Neuchatel (CH)
(73) Assignee: **HYT SA**, Neuchatel (CH)
(**) Term: **15 Years**

D585,769 S * 2/2009 Belamich D10/39
D591,178 S * 4/2009 Magada D10/38
D593,425 S * 6/2009 Weiss D10/33
D637,920 S * 5/2011 Parmigiani D10/38
D642,084 S * 7/2011 Garcia D10/124
D707,138 S * 6/2014 Kamata D10/39
D707,139 S * 6/2014 Mille D10/39
D717,670 S * 11/2014 Davoli D10/39
D728,386 S * 5/2015 Galli D10/39
D733,584 S * 7/2015 Kamilindi D10/39
D742,271 S * 11/2015 Boulangeot D10/129
D749,432 S * 2/2016 Daniel D10/126

(Continued)

(21) Appl. No.: **29/617,117**

(22) Filed: **Sep. 12, 2017**

(30) **Foreign Application Priority Data**

Mar. 14, 2017 (WO) 2728701

(51) **LOC (11) Cl.** **10-02**

(52) **U.S. Cl.**
USPC **D10/39**

(58) **Field of Classification Search**
USPC D10/1-3, 6, 14-16, 23, 30-39, 41, 65,
D10/70, 122-132; D11/95, 101, 107,
D11/109, 110, 224; D14/344
See application file for complete search history.

(56) **References Cited**

U.S. PATENT DOCUMENTS

D157,607 S * 3/1950 Lachman D10/38
5,005,161 A * 4/1991 Boilen G04B 47/046
368/295
D326,232 S * 5/1992 Kurebayashi D10/39
D333,626 S * 3/1993 Chang D10/32
D367,829 S * 3/1996 Takigawa D10/132
D389,749 S * 1/1998 Toribio D10/30
D391,865 S * 3/1998 Brzezinski D10/30
D417,236 S * 11/1999 Burrus D10/31
D508,860 S * 8/2005 Plan D10/39
D546,713 S * 7/2007 Benatar D10/38

OTHER PUBLICATIONS

HYT H1 and H2 Baselworld 2014 | posted at monochrome-watches.com 2014 © 2006-2018 Monochrome [online][site visited May 21, 2018]. Available from Internet: <<https://monochrome-watches.com/lots-of-new-hyt-h1-and-h2-models-for-baselworld-2014/>> (Year: 2014).*

Primary Examiner — Sandra S Snapp
Assistant Examiner — Katherine Glennon
(74) *Attorney, Agent, or Firm* — Taft Stettinius & Hollister LLP

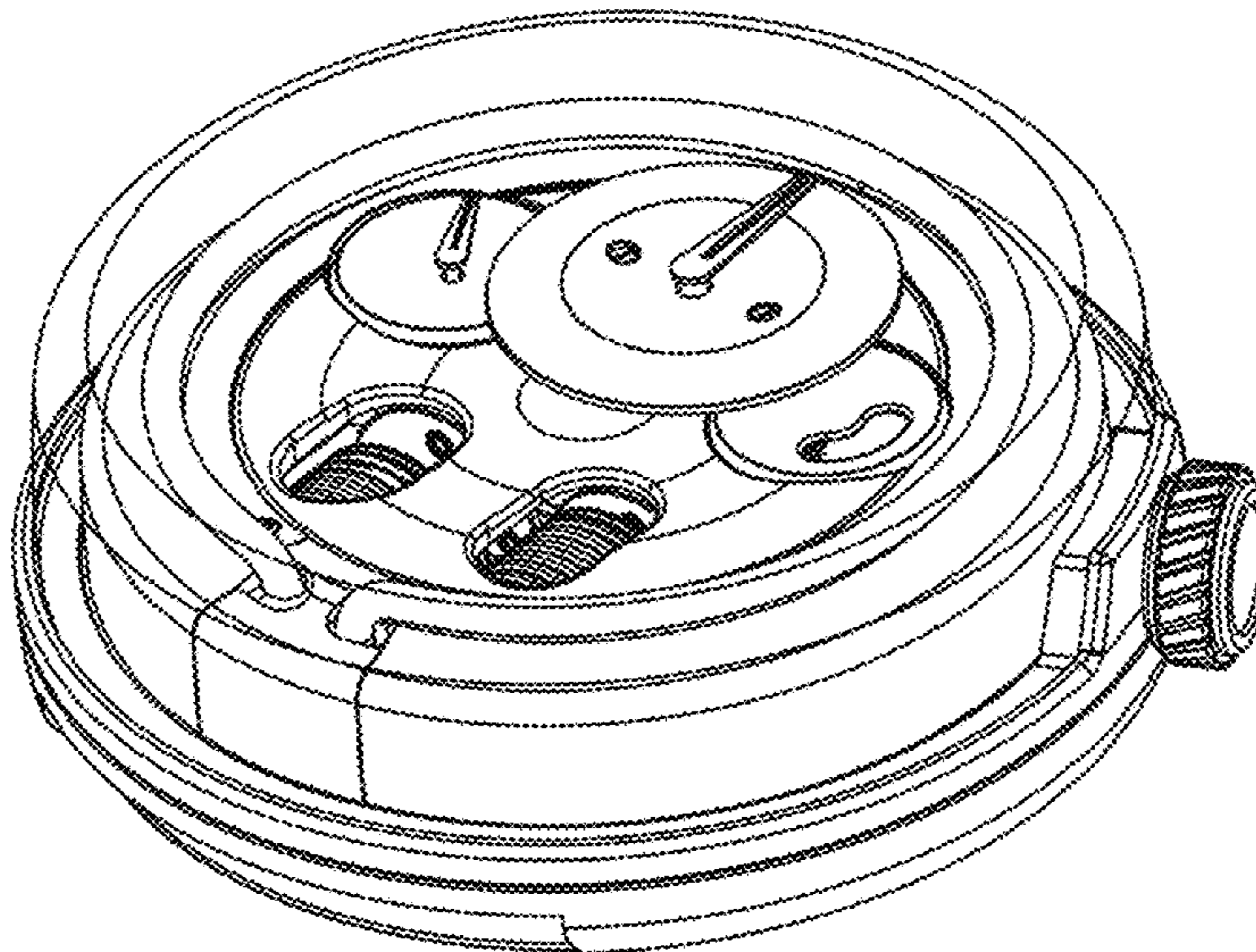
(57) **CLAIM**

The ornamental design for a watch, as shown and described.

DESCRIPTION

FIG. 1 is a front elevational view of a watch showing my new design;
FIG. 2 is a back elevational view thereof;
FIG. 3 is a left side elevational view thereof;
FIG. 4 is a right side elevational view thereof;
FIG. 5 is a bottom plan view thereof;
FIG. 6 is a top plan view thereof;
FIG. 7 is a front, right side perspective view thereof; and,
FIG. 8 is a back, left side perspective view thereof.

1 Claim, 8 Drawing Sheets



(56)

References Cited

U.S. PATENT DOCUMENTS

D751,421 S *	3/2016	Perret	D10/126
D757,568 S *	5/2016	Emmenegger	D10/126
D759,513 S *	6/2016	Belamich	D10/126
D772,082 S *	11/2016	Perret	D10/30
D779,987 S *	2/2017	Perret	D10/128
D789,802 S *	6/2017	Vouillamoz	D10/30
2013/0258817 A1 *	10/2013	Corvino	G04B 37/14 368/29

* cited by examiner

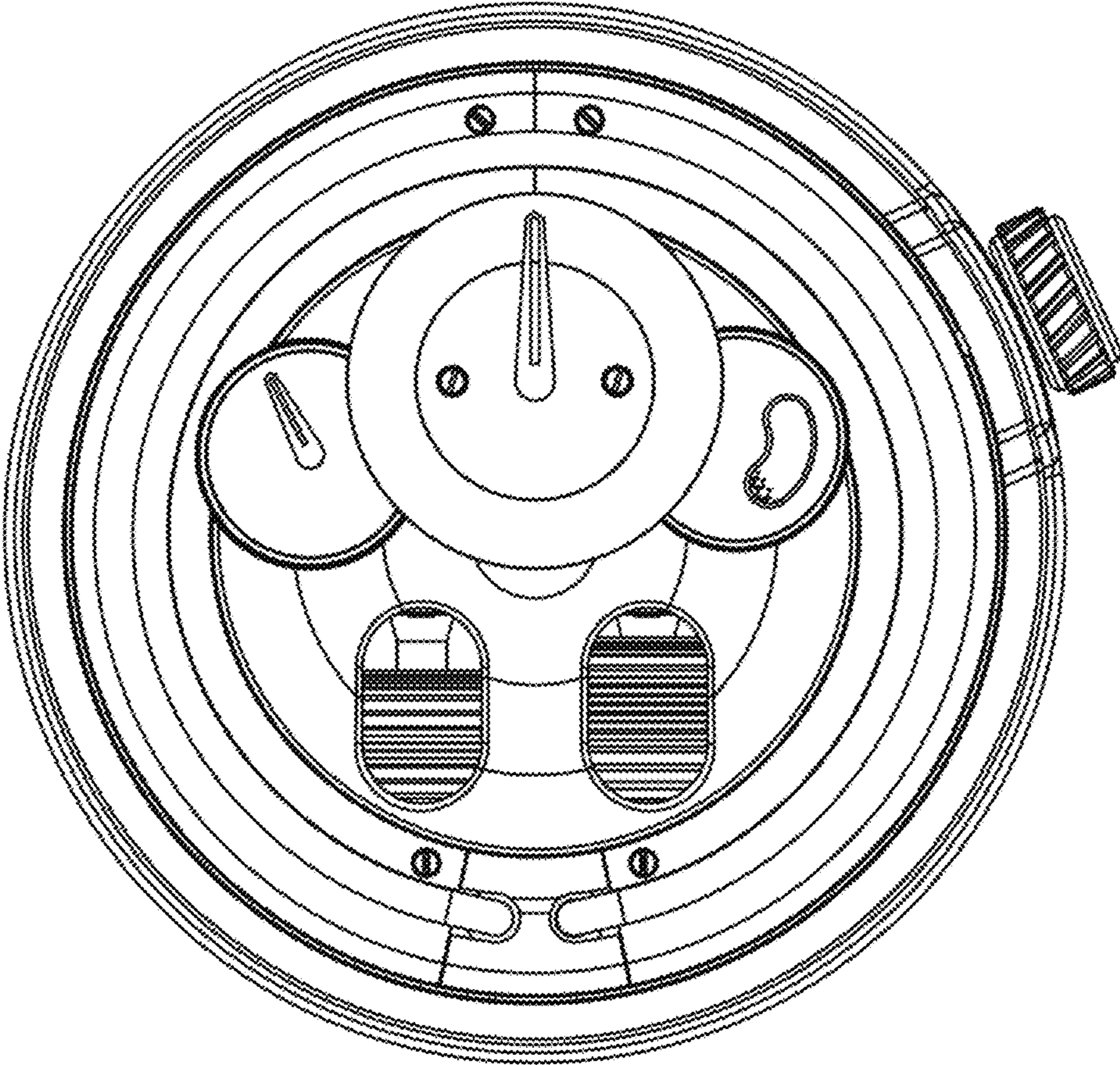


Fig. 1

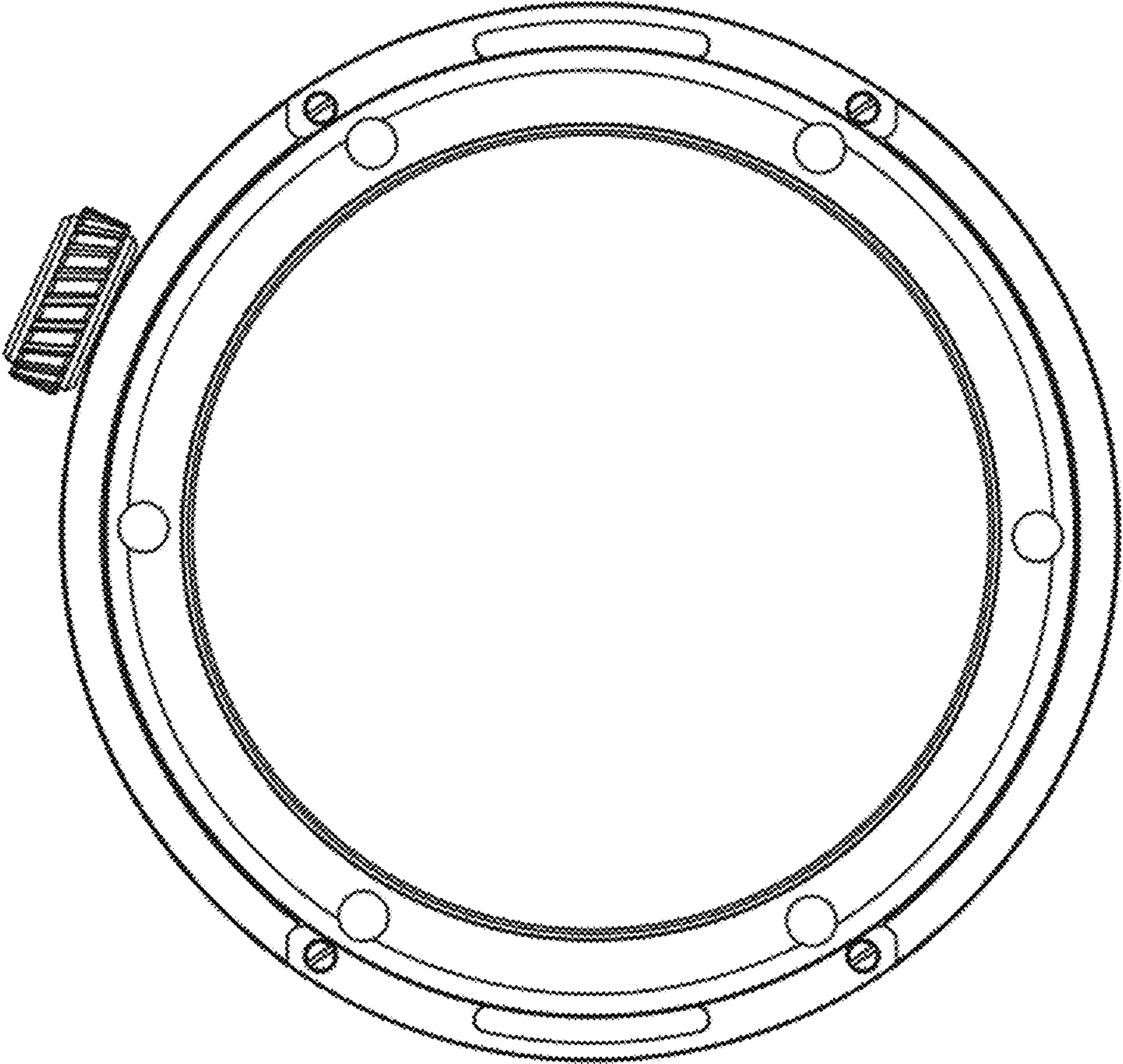


Fig. 2



Fig. 3

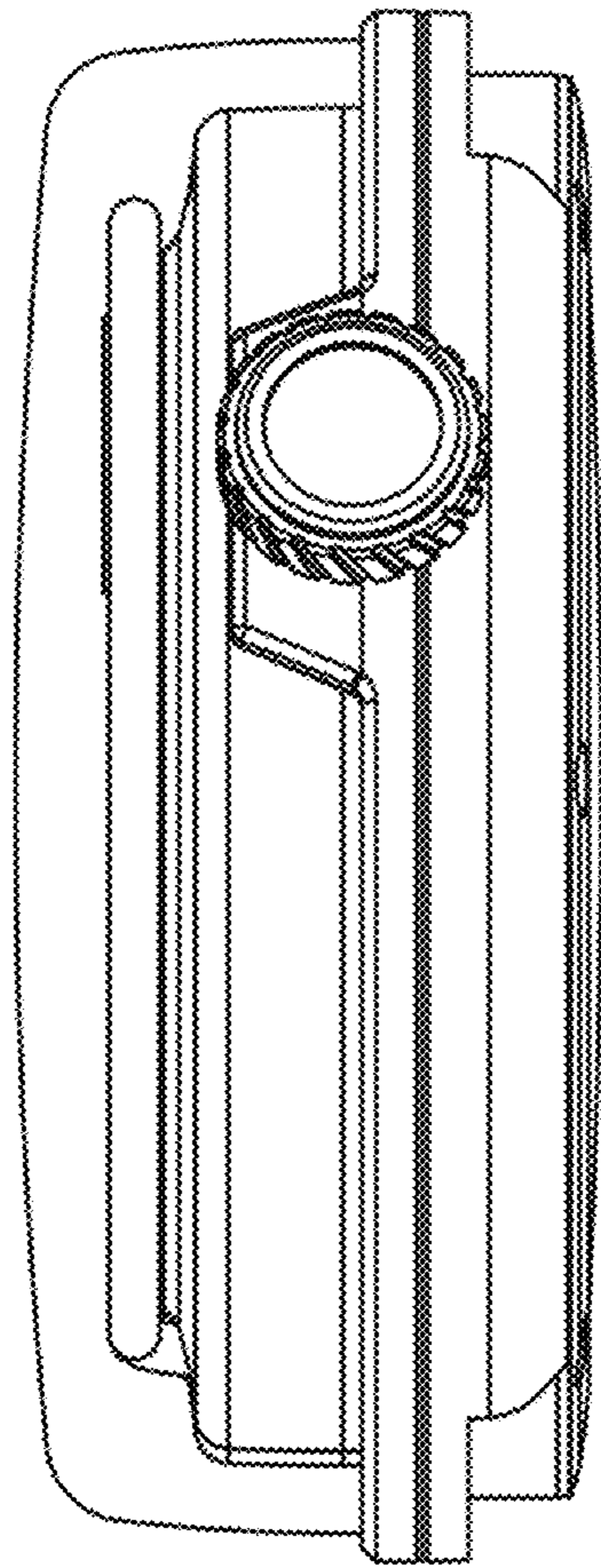


Fig. 4

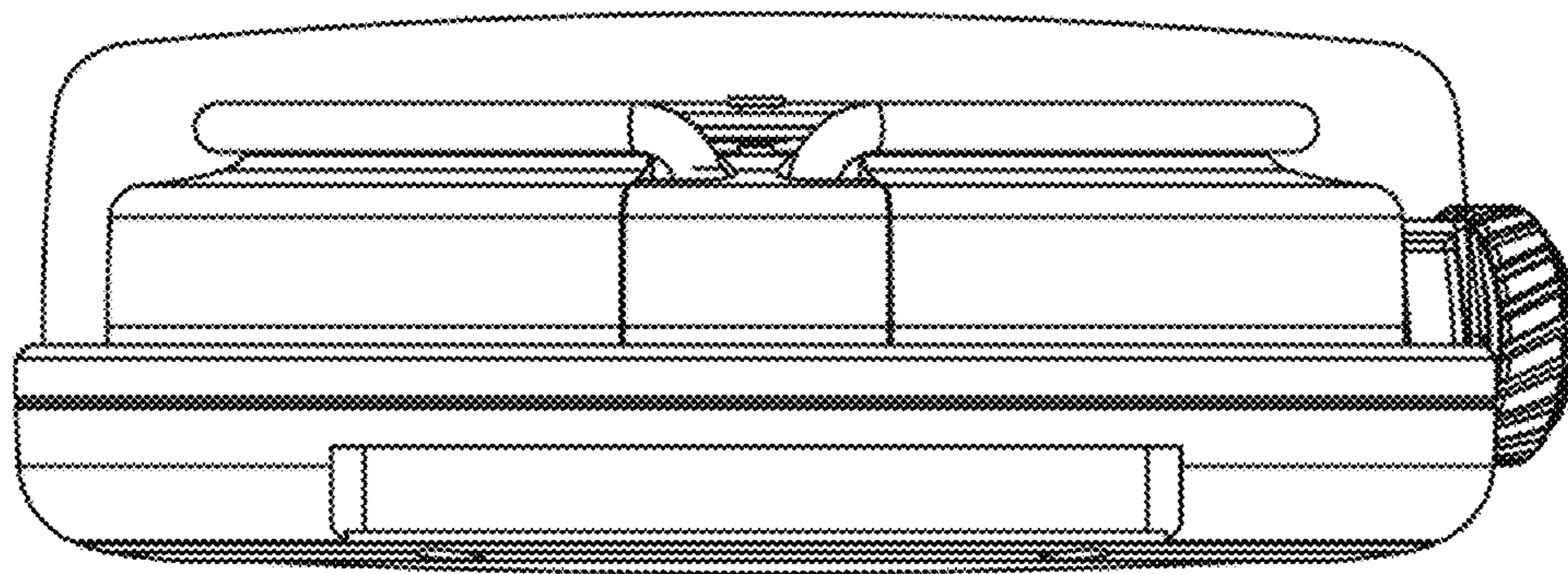


Fig. 5

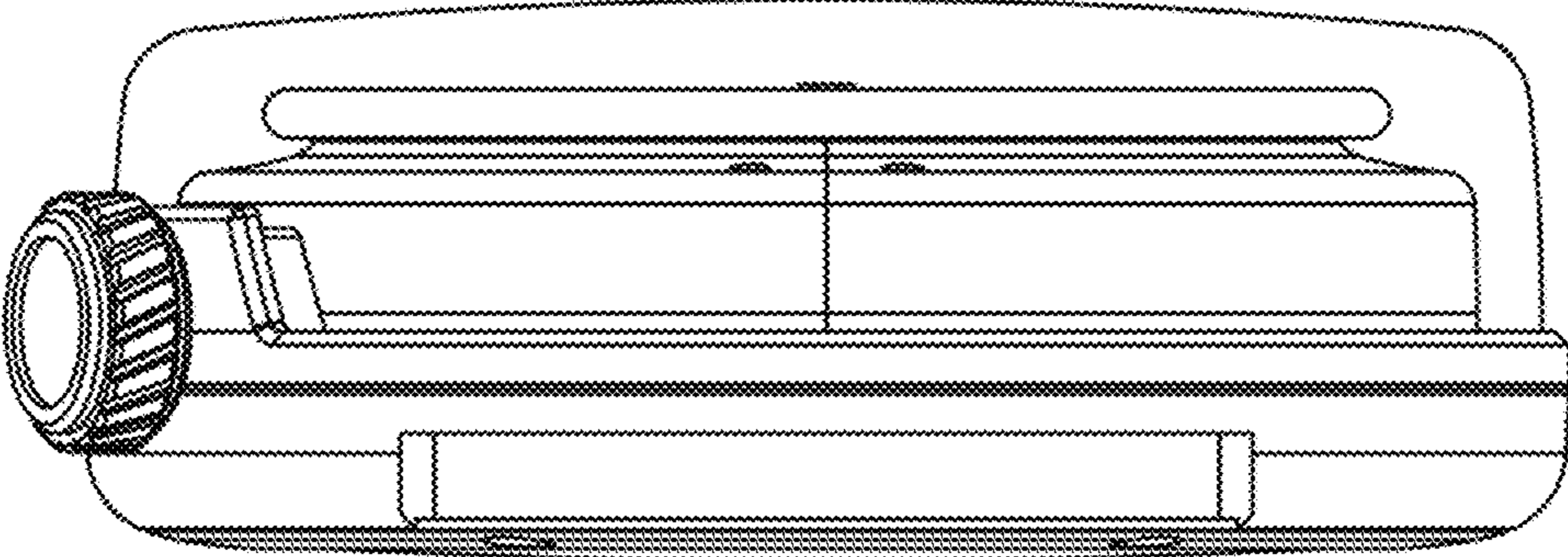


Fig. 6

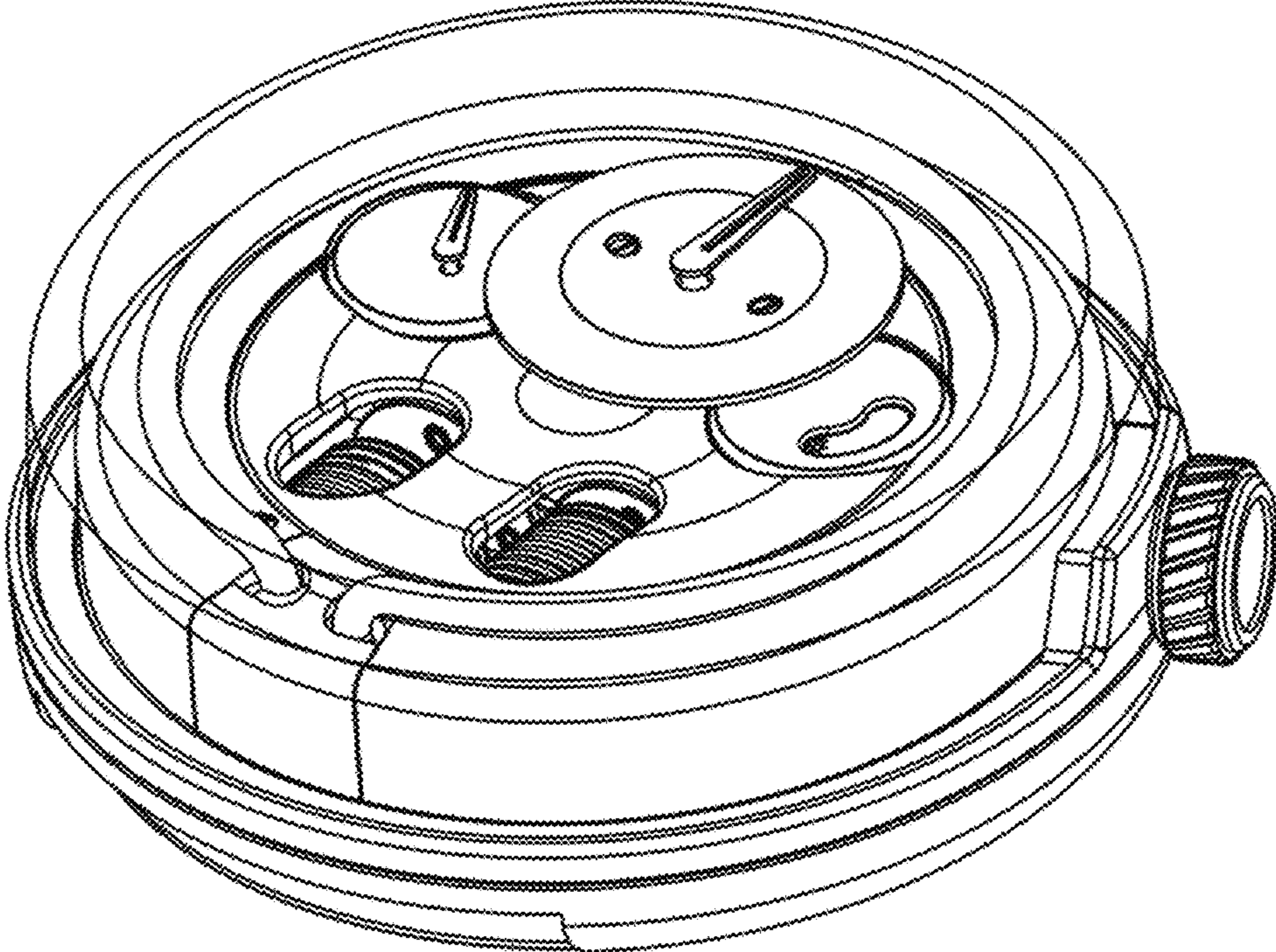


Fig. 7

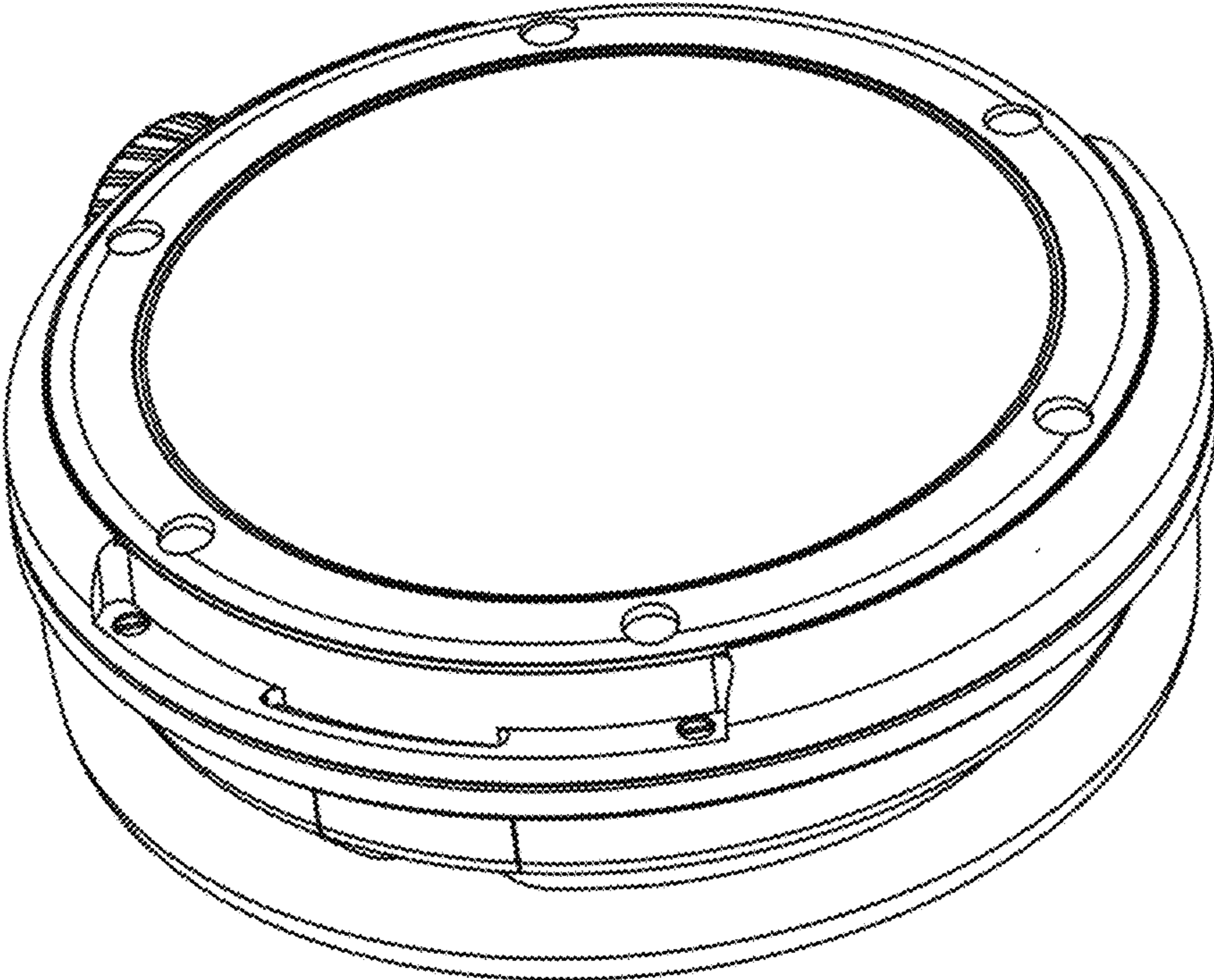


Fig. 8