



US00D832718S

(12) **United States Design Patent** (10) **Patent No.:** **US D832,718 S**
Aboabdo (45) **Date of Patent:** **** Nov. 6, 2018**

- (54) **BOTTLE**
- (71) Applicant: **Chubby Gorilla, Inc.**, Fullerton, CA (US)
- (72) Inventor: **Ibrahiem H. Aboabdo**, Yorba Linda, CA (US)
- (73) Assignee: **CHUBBY GORILLA, INC.**, Santa Fe Springs, CA (US)
- (**) Term: **15 Years**
- (21) Appl. No.: **29/605,261**
- (22) Filed: **May 24, 2017**
- (51) **LOC (11) Cl.** **09-01**
- (52) **U.S. Cl.**
USPC **D9/680**
- (58) **Field of Classification Search**
USPC D3/203.2, 270, 271.1-271.4; D7/510, D7/514-520, 599, 601-602, 604, D7/612-615, 619.2, 623, 628-629; D9/600, 680, 500-516, 529; 206/457, 206/527, 531, 538; 215/381-384, 400; D22/116
CPC B65D 5/4258; B65D 81/60; B65D 81/365; B65D 81/366; B65D 81/368; B65D 2203/00; B65D 2203/02
See application file for complete search history.

- D664,042 S * 7/2012 Kurpis D22/116
- D669,363 S * 10/2012 Traskal D9/680
- D686,921 S * 7/2013 Odobescu D9/680
- D706,139 S * 6/2014 Sovine D9/680

(Continued)

Primary Examiner — Sandra L Morris
(74) *Attorney, Agent, or Firm* — Knobbe, Martens, Olson & Bear, LLP

(57) **CLAIM**

The ornamental design for bottle, as shown and described herein.

DESCRIPTION

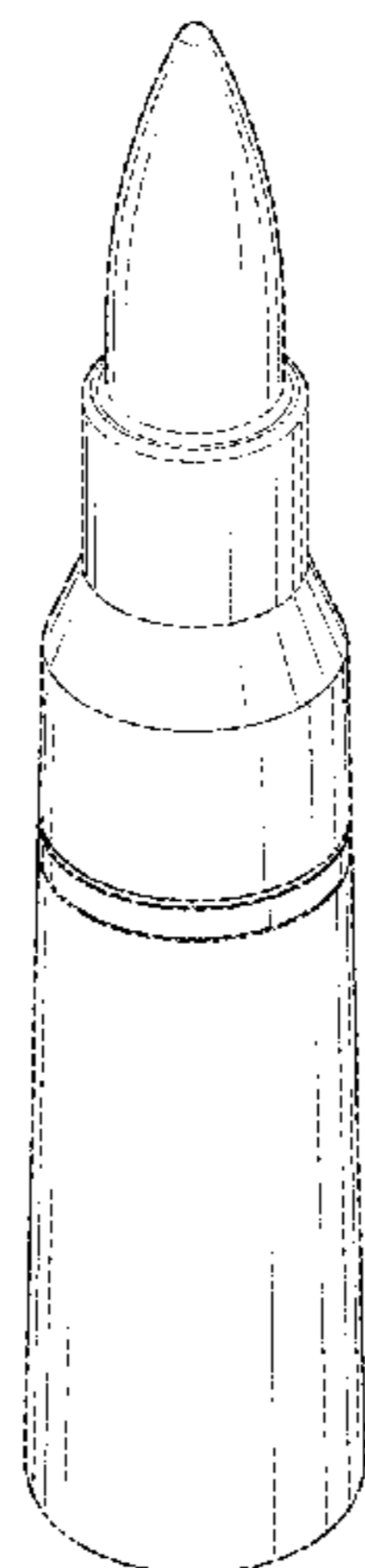
FIG. 1 is a top perspective view of a first embodiment of a bottle embodying the new design.
 FIG. 2 is a front view thereof.
 FIG. 3 is a rear view thereof.
 FIG. 4 is a first side view thereof.
 FIG. 5 is a second side view thereof.
 FIG. 6 is a top view thereof.
 FIG. 7 is an exploded perspective view thereof.
 FIG. 8 is an exploded front view thereof.
 FIG. 9 is a top perspective view of a second embodiment of a bottle embodying the new design.
 FIG. 10 is a front view thereof.
 FIG. 11 is a rear view thereof.
 FIG. 12 is a first side view thereof.
 FIG. 13 is a second side view thereof.
 FIG. 14 is a top view thereof.
 FIG. 15 is an exploded perspective view thereof; and,
 FIG. 16 is an exploded front view thereof.
 The second embodiment is shown with a symbolic break in its length, represented by break lines. The appearance of any portion of the article between the break lines forms no part of the claimed subject matter.
 All features in broken lines are for the purpose of illustrating environmental structure and form no part of the claimed subject matter.

1 Claim, 10 Drawing Sheets

(56) **References Cited**

U.S. PATENT DOCUMENTS

- D268,987 S * 5/1983 Smith 9/680
- D299,488 S * 1/1989 Okada 9/680
- D368,425 S * 4/1996 Newell D9/600
- D381,897 S * 8/1997 Matthiesen D22/116
- D407,212 S * 3/1999 Molaro D3/211
- D518,727 S * 4/2006 Haley D22/116
- D533,044 S * 12/2006 Buening D8/103
- D546,657 S * 7/2007 Buening D8/103
- D646,179 S * 10/2011 Jansen D22/116



(56)

References Cited

U.S. PATENT DOCUMENTS

D739,195	S	*	9/2015	Scharch	D8/38
D753,339	S	*	4/2016	Greeley	D27/162
D759,189	S	*	6/2016	Pederson	D22/116
D768,802	S	*	10/2016	Bowers	D22/116
D780,508	S	*	3/2017	Crane	D7/395

* cited by examiner

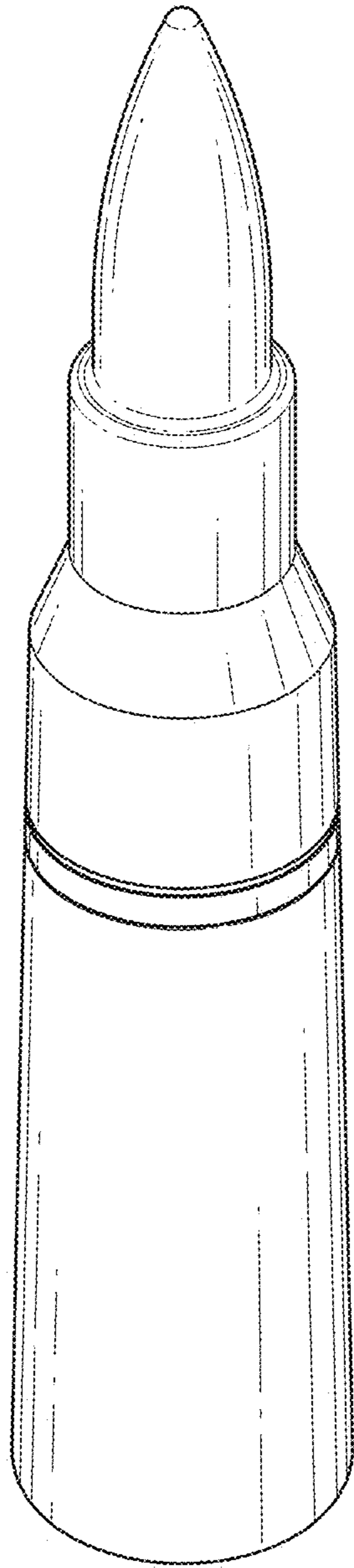


FIG. 1

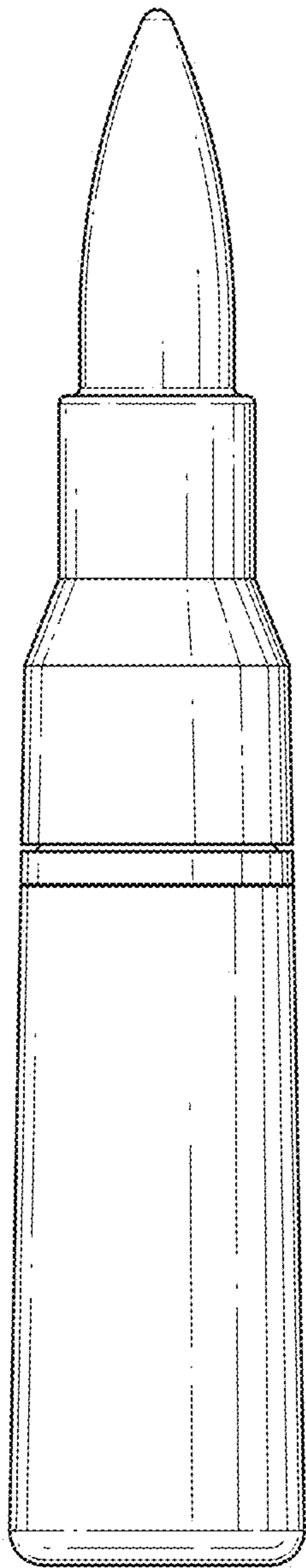


FIG. 2

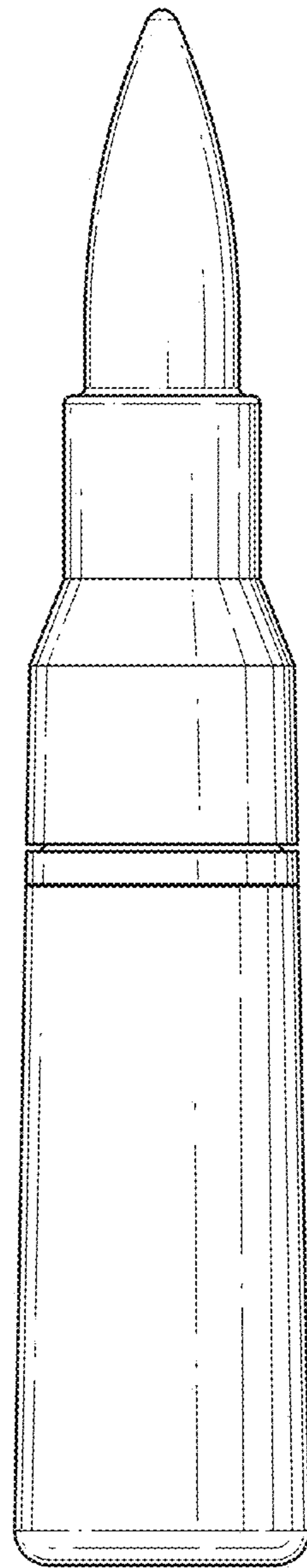


FIG. 3

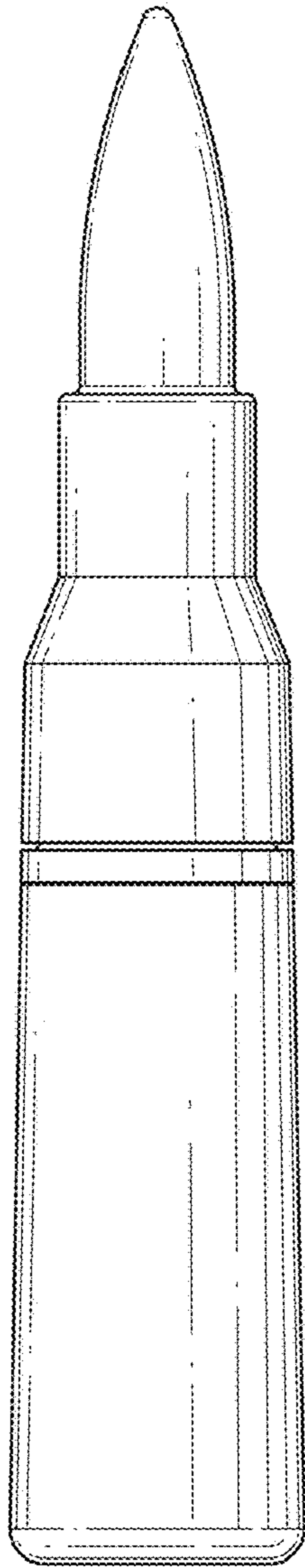


FIG. 4

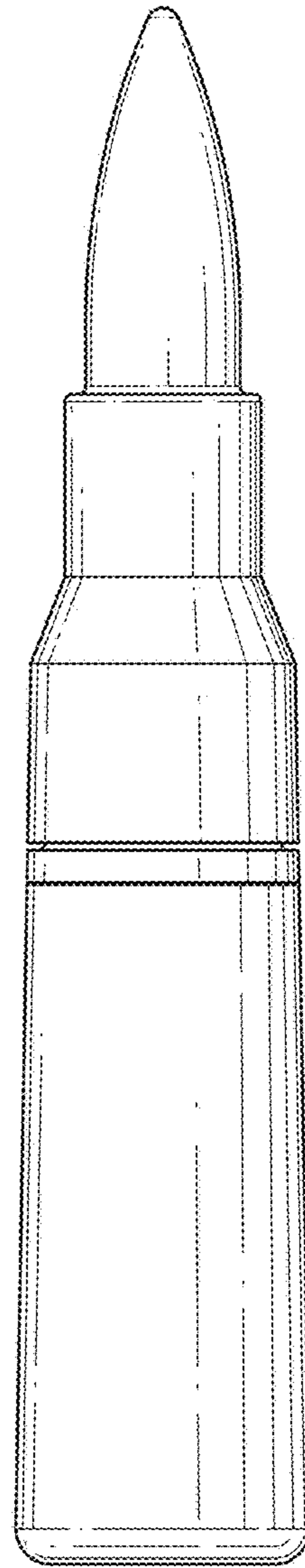


FIG. 5

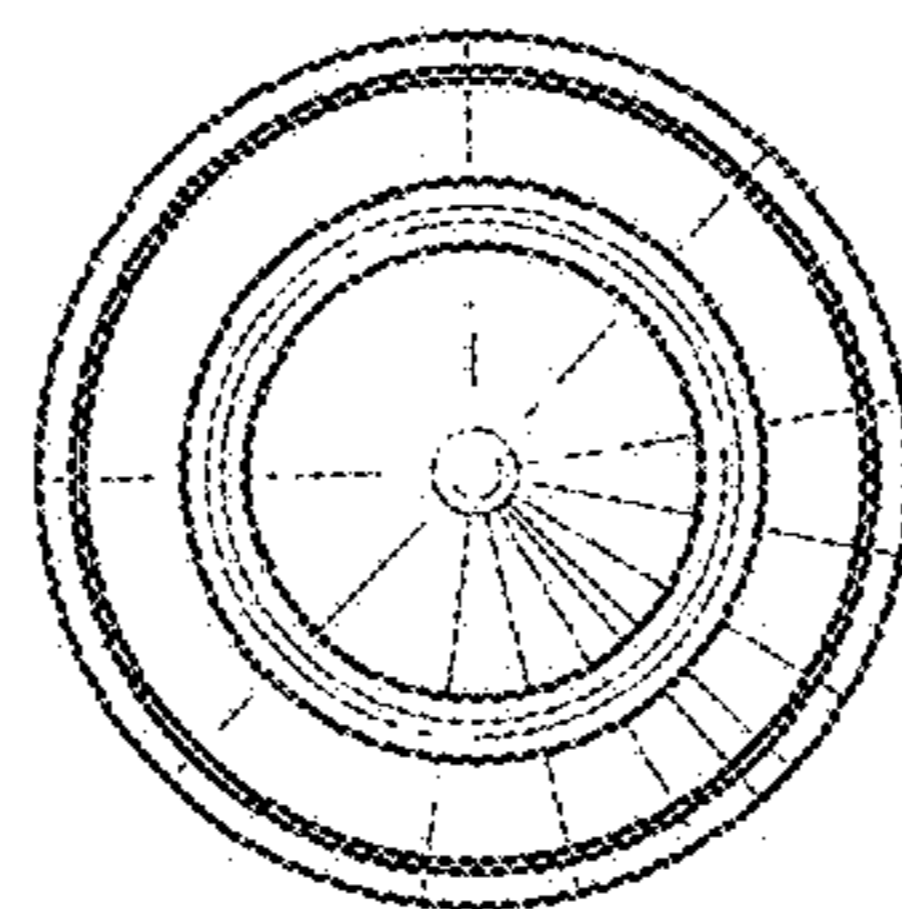


FIG. 6

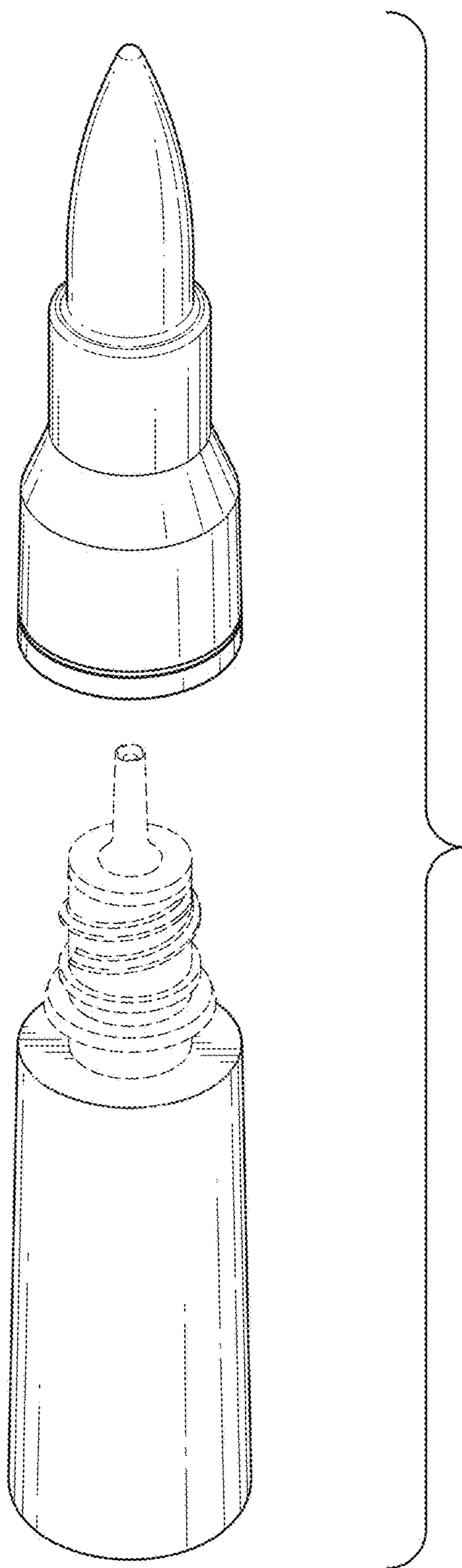


FIG. 7

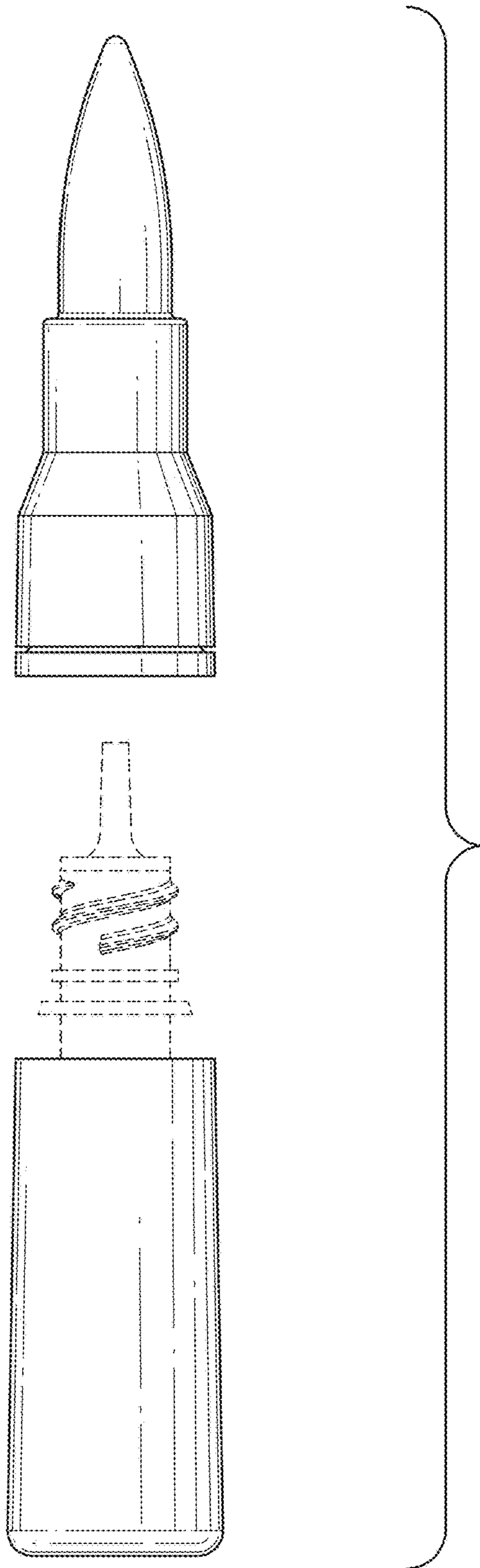


FIG. 8

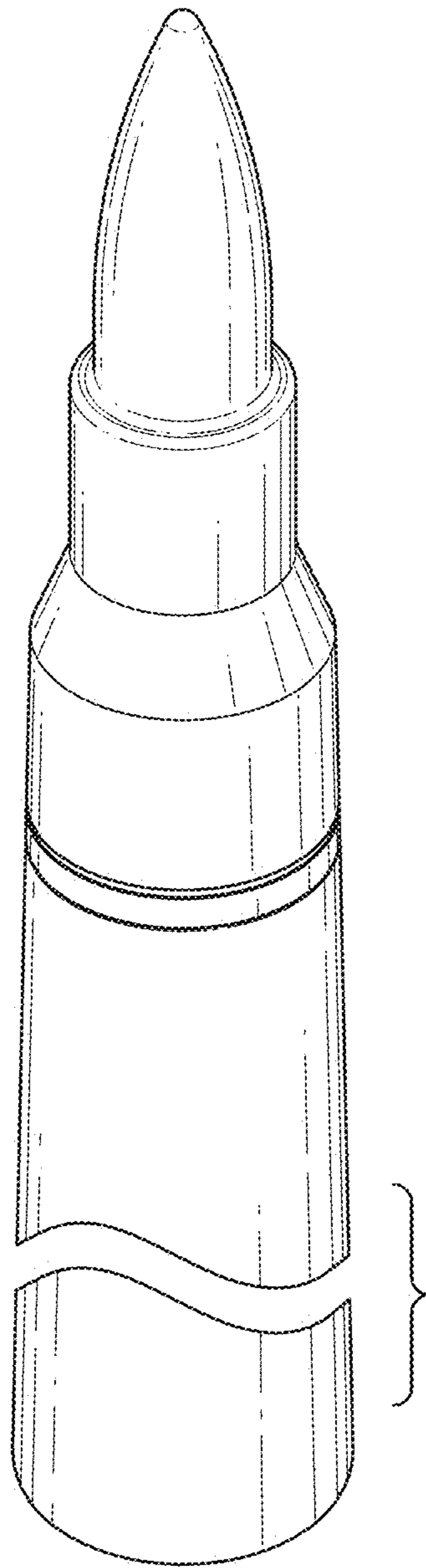


FIG. 9

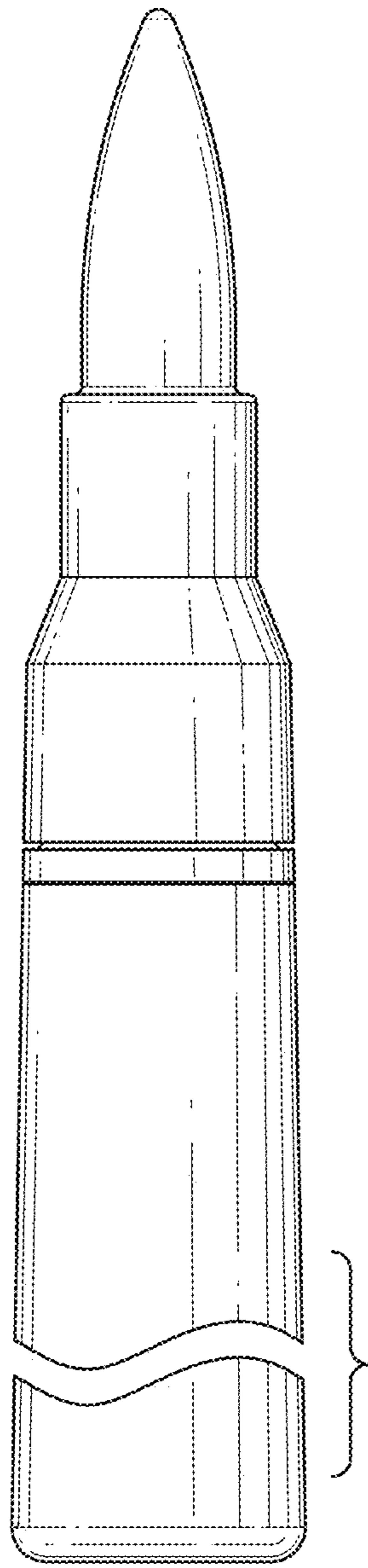


FIG. 10

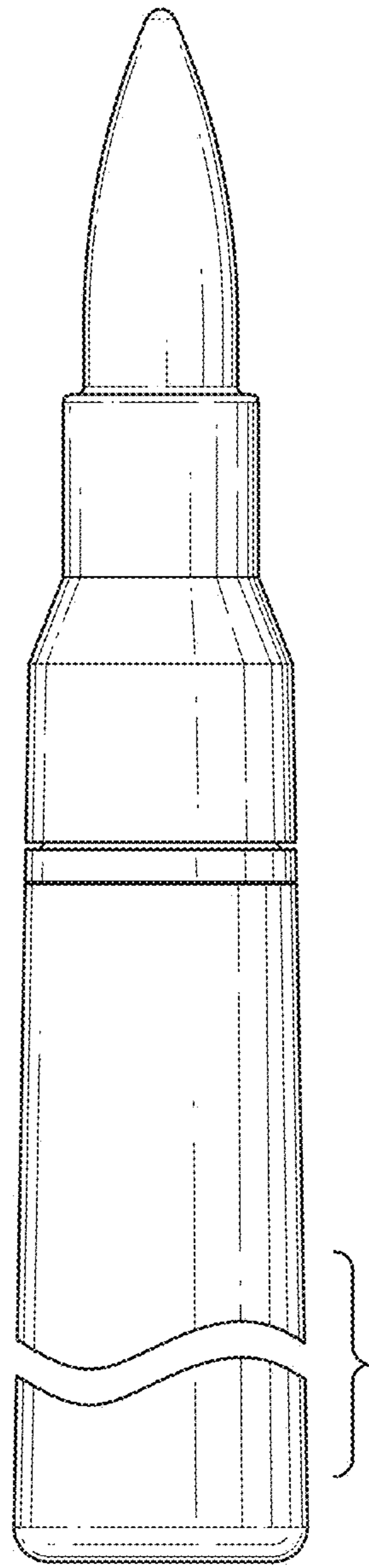


FIG. 11

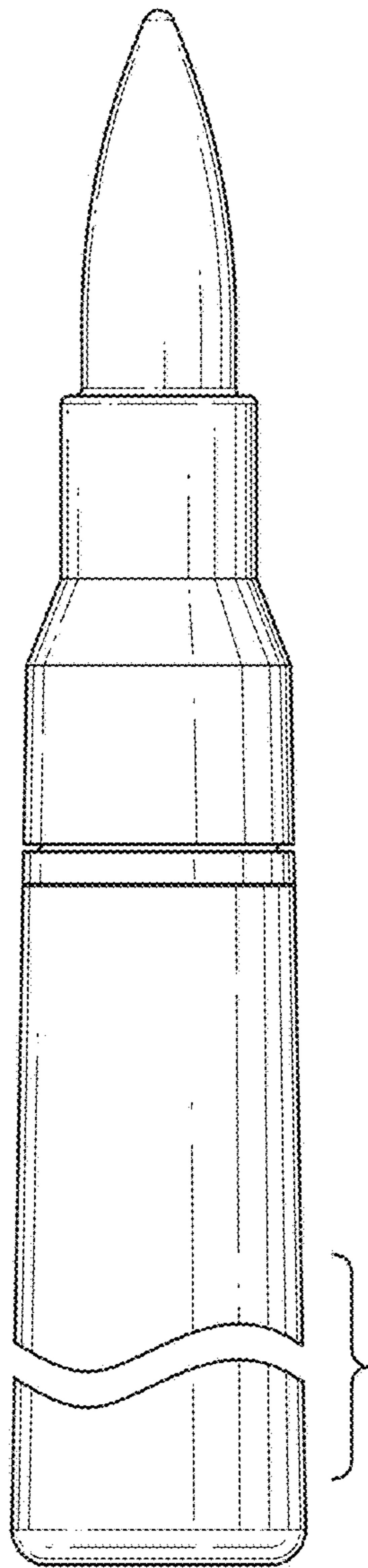


FIG. 12

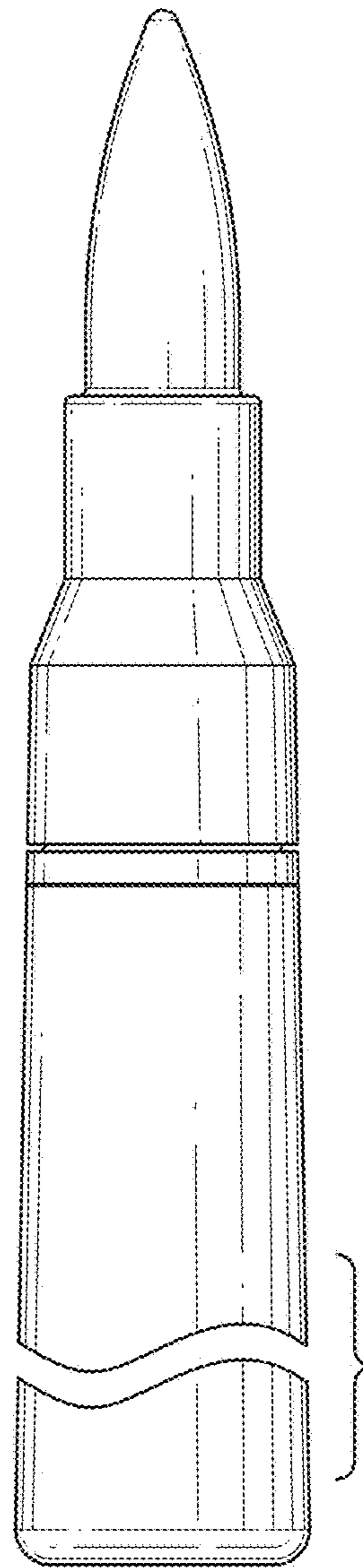


FIG. 13

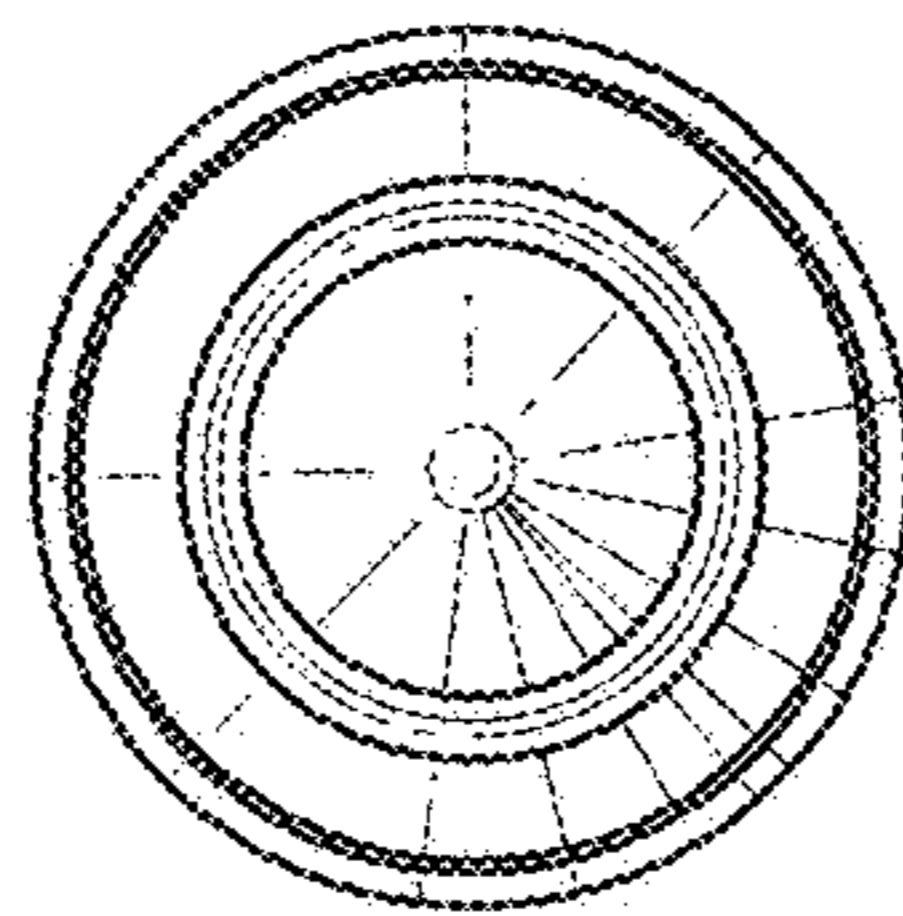


FIG. 14

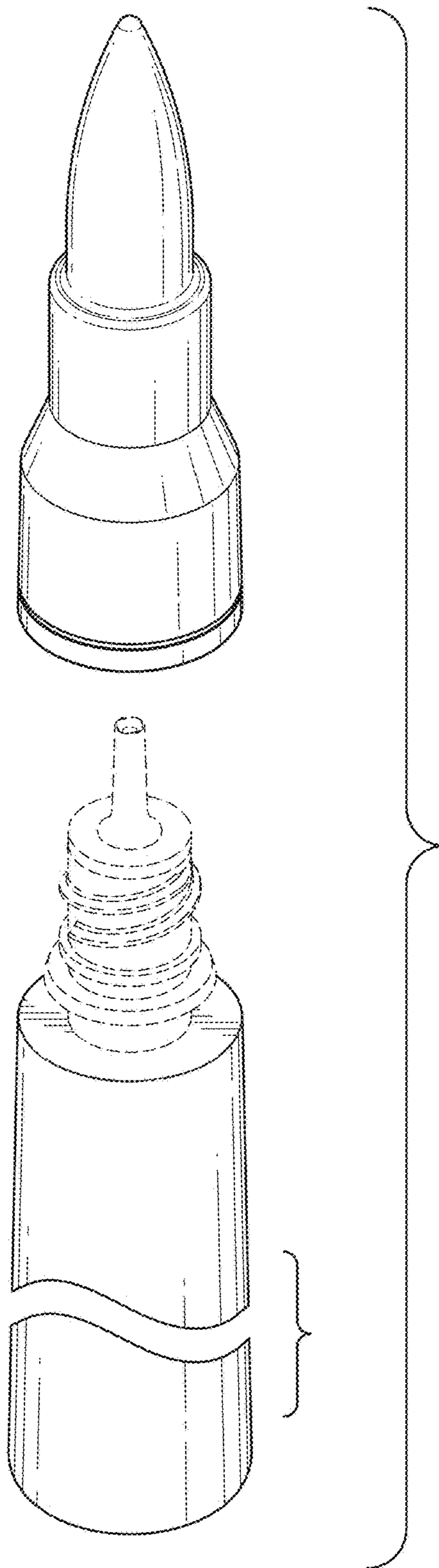


FIG. 15

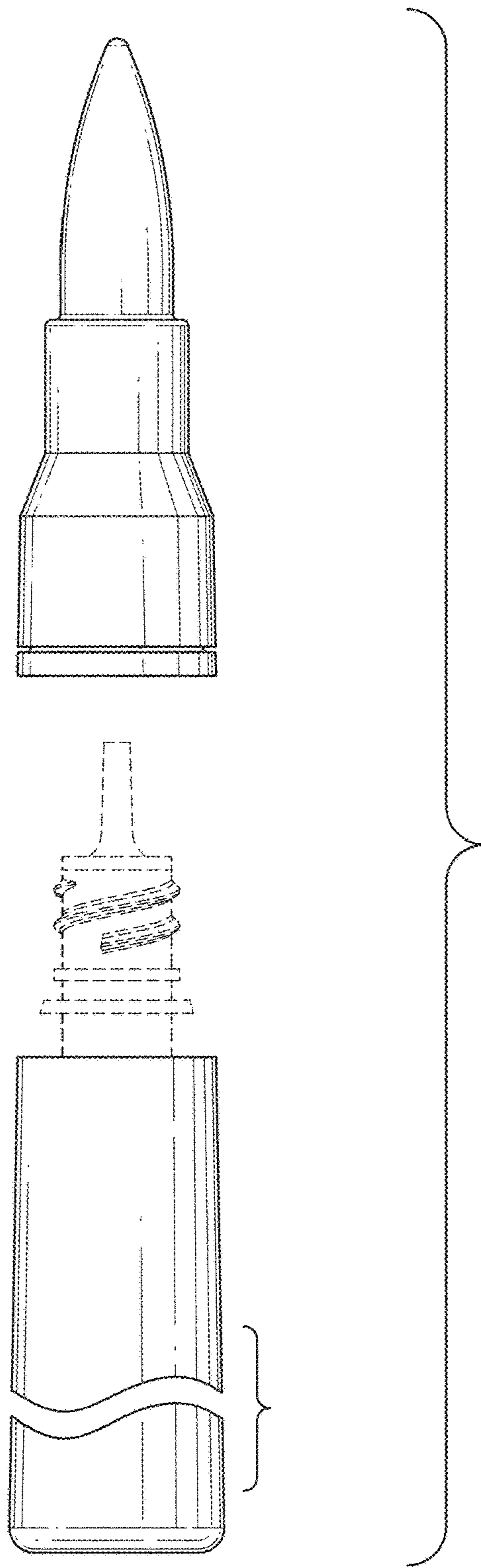


FIG. 16