



US00D832711S

(12) **United States Design Patent** (10) **Patent No.:** **US D832,711 S**
McGreevy et al. (45) **Date of Patent:** **** Nov. 6, 2018**

- (54) **BOTTLE**
- (71) Applicant: **Method Products, PBC**, San Francisco, CA (US)
- (72) Inventors: **Sean McGreevy**, Emmerlyville, CA (US); **Stephanie Intelisano**, Oakland, CA (US)
- (73) Assignee: **Method Products, PBC**, San Francisco, CA (US)
- (**) Term: **15 Years**
- (21) Appl. No.: **29/603,735**
- (22) Filed: **May 11, 2017**

- D205,552 S 8/1966 Mayers
- D205,554 S 8/1966 St Clair
- D207,925 S 6/1967 Koenigsberg
- D208,116 S 7/1967 Landor
- D236,802 S 9/1975 McDonald
- D239,368 S 3/1976 McDonald
- D242,126 S 11/1976 Morea
- D270,711 S 9/1983 Weckman
- D300,107 S 3/1989 Trombly
- D342,022 S 12/1993 Pritchard
- D368,859 S 4/1996 LoPreto
- D382,811 S 8/1997 Kotyuk, Jr. et al.
- D386,090 S 11/1997 de Giovellina
- D409,051 S 5/1999 Huang
- D421,819 S * 3/2000 Heeter D28/85
- D424,449 S * 5/2000 Heydenburg D9/544
- D426,773 S 6/2000 Warner et al.
- D428,344 S 7/2000 Preston
- D430,804 S 9/2000 Bulsink
- D437,229 S 2/2001 Andrew

(Continued)

Related U.S. Application Data

- (63) Continuation of application No. 29/545,593, filed on Nov. 13, 2015, now Pat. No. Des. 786,684.
- (51) **LOC (11) Cl.** **09-01**
- (52) **U.S. Cl.**
USPC **D9/542**; D9/558; D9/574
- (58) **Field of Classification Search**
USPC D9/516, 520, 529-530, 542, 549, 558, D9/574
CPC B65D 1/00; B65D 1/02; B65D 1/0223; B65D 23/00; B65D 81/00; B65D 2501/00; B65D 2501/0009; B65D 2501/0081
See application file for complete search history.

Primary Examiner — Dana Meyrow

(74) *Attorney, Agent, or Firm* — Sterne, Kessler, Goldstein & Fox P.L.L.C.

(57) **CLAIM**

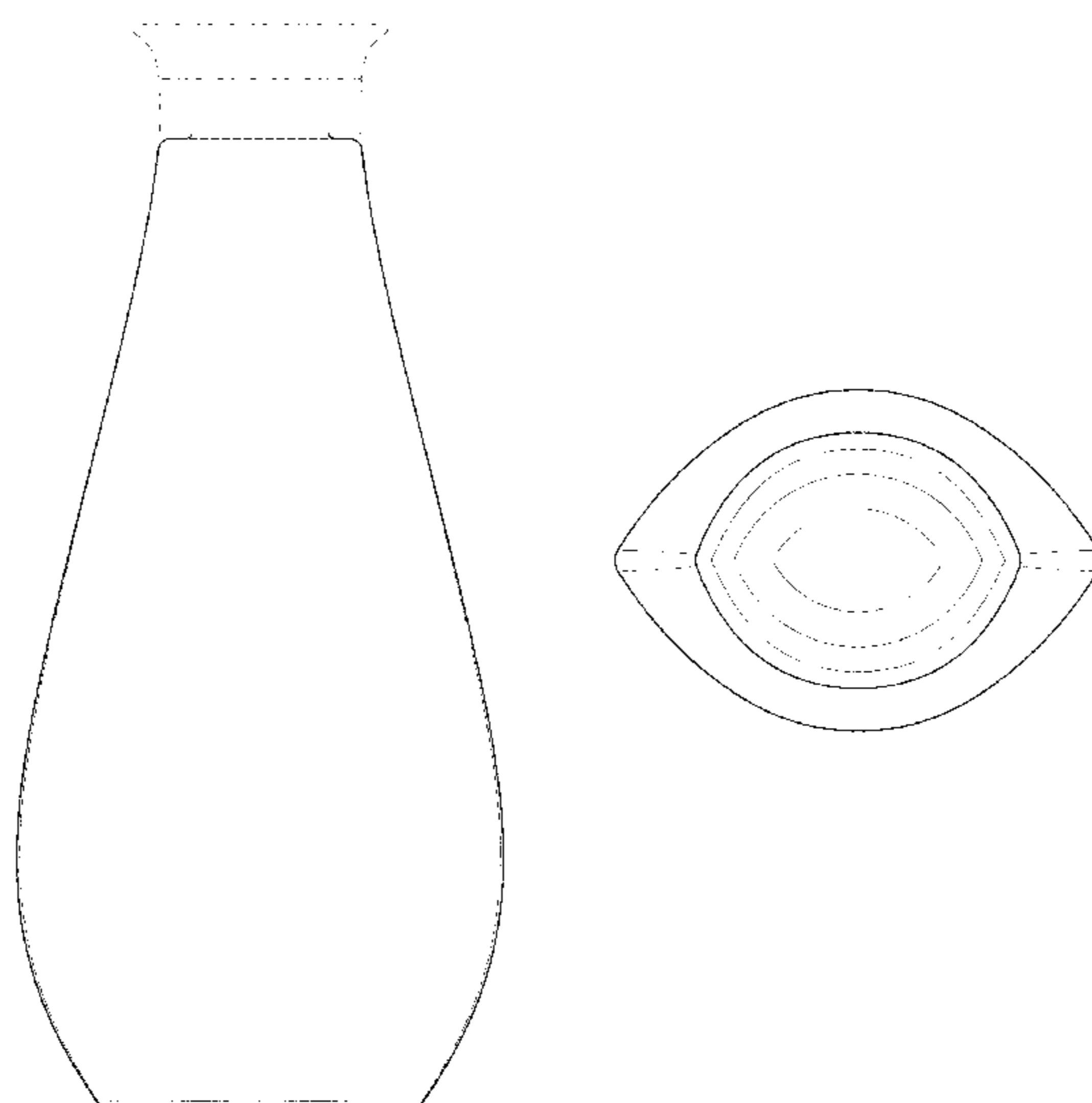
The ornamental design for a bottle, as shown and described.

DESCRIPTION

FIG. 1 is a top front perspective view of a bottle showing the claimed design;
 FIG. 2 is a bottom front perspective view thereof;
 FIG. 3 is a front view thereof, the rear view being a mirror image thereof;
 FIG. 4 is a left side view thereof, the right side view being a mirror image thereof;
 FIG. 5 is a top view thereof; and,
 FIG. 6 is a bottom view thereof.
 The broken lines in the figures show portions of the bottle that form no part of the claimed design.

1 Claim, 6 Drawing Sheets

- (56) **References Cited**
U.S. PATENT DOCUMENTS
D87,397 S 7/1932 Marshburn et al.
D168,110 S 11/1952 Montenier
D168,390 S 12/1952 Baird
D189,938 S 3/1961 Heintze
D195,368 S 6/1963 Koenigsberg



(56)

References Cited

U.S. PATENT DOCUMENTS

D444,389 S 7/2001 Bakic
 D447,693 S 9/2001 Warner et al.
 D457,069 S 5/2002 Palaia
 D481,639 S 11/2003 Crawford
 D482,571 S 11/2003 Leinenweber
 D492,202 S 6/2004 Crawford
 D495,604 S 9/2004 Lund et al.
 D497,108 S 10/2004 Lund et al.
 D498,419 S 11/2004 Martin
 D501,133 S 1/2005 Schuller et al.
 D502,110 S 2/2005 Theunynck
 D504,614 S 5/2005 Schuller et al.
 D510,033 S 9/2005 McLeish
 D513,185 S 12/2005 Ruiz
 D522,372 S 6/2006 Wang et al.
 D528,426 S 9/2006 Barone et al.
 D533,064 S 12/2006 Glynn et al.
 D533,073 S 12/2006 Brunner et al.
 D538,474 S 3/2007 Sheppard et al.
 D541,661 S 5/2007 Wang et al.
 D546,187 S 7/2007 Ratzlaff

D550,092 S 9/2007 Wang et al.
 D557,606 S 12/2007 Rashid
 D565,422 S 4/2008 Cowan-Hughes et al.
 D574,245 S 8/2008 Crawford et al.
 D581,276 S 11/2008 Kuzma et al.
 D590,264 S 4/2009 Schwartz et al.
 D592,523 S 5/2009 Padain et al.
 D592,524 S 5/2009 Padain et al.
 D593,365 S 6/2009 Miller et al.
 D593,862 S 6/2009 Ribadeneira Mejia et al.
 D594,333 S 6/2009 Casey et al.
 D594,334 S 6/2009 Casey et al.
 D594,341 S 6/2009 Casey et al.
 D598,781 S 8/2009 Schwartz et al.
 D603,708 S 11/2009 Handy
 D610,910 S 3/2010 Simmons et al.
 D611,348 S 3/2010 Handy
 D643,737 S 8/2011 Handy
 D646,172 S 10/2011 Simmons et al.
 D689,368 S 9/2013 Kim
 D717,664 S 11/2014 Van Handel et al.
 D786,684 S * 5/2017 McGreevy D9/449
 D796,333 S * 9/2017 Penn D9/544
 D820,099 S * 6/2018 Shoji D9/558

* cited by examiner

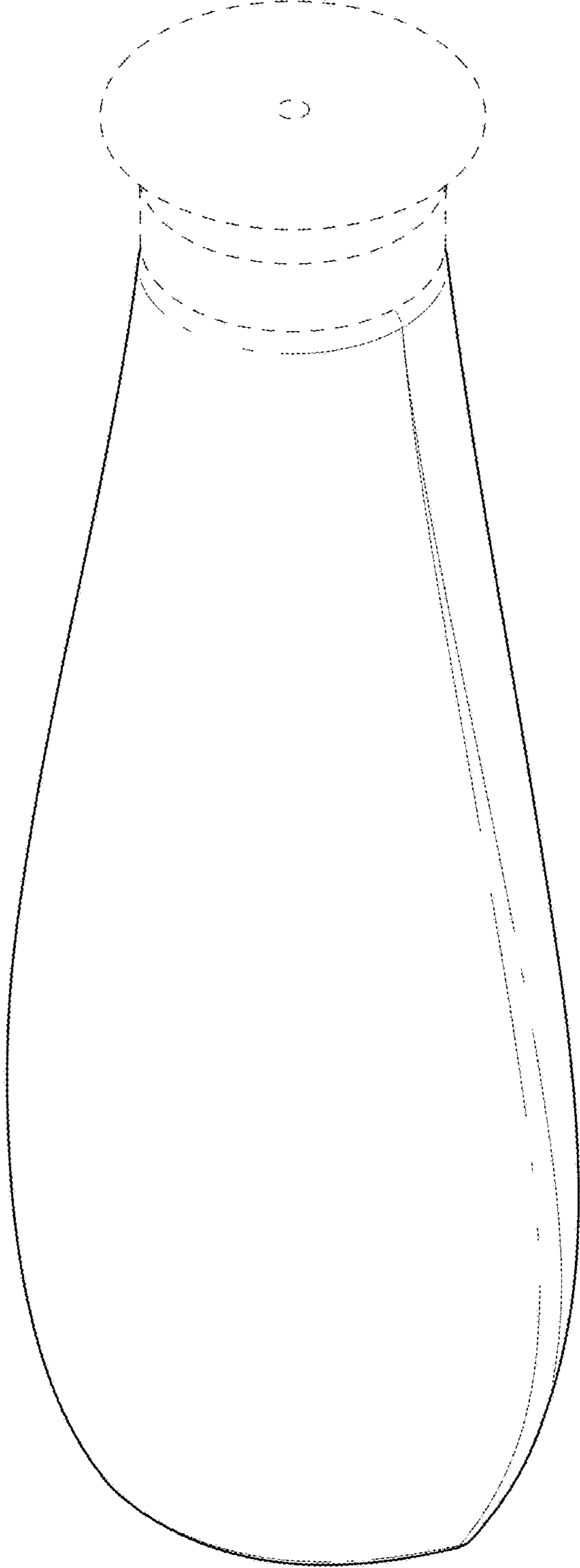


FIG. 1

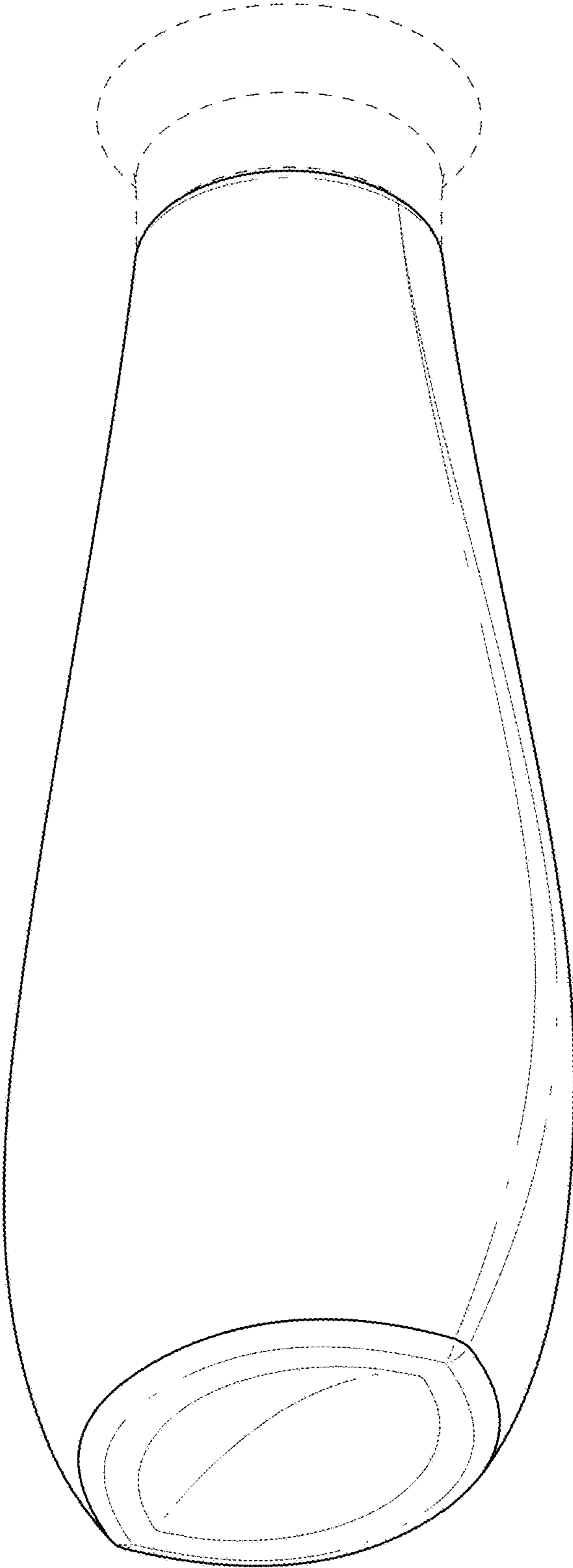


FIG. 2

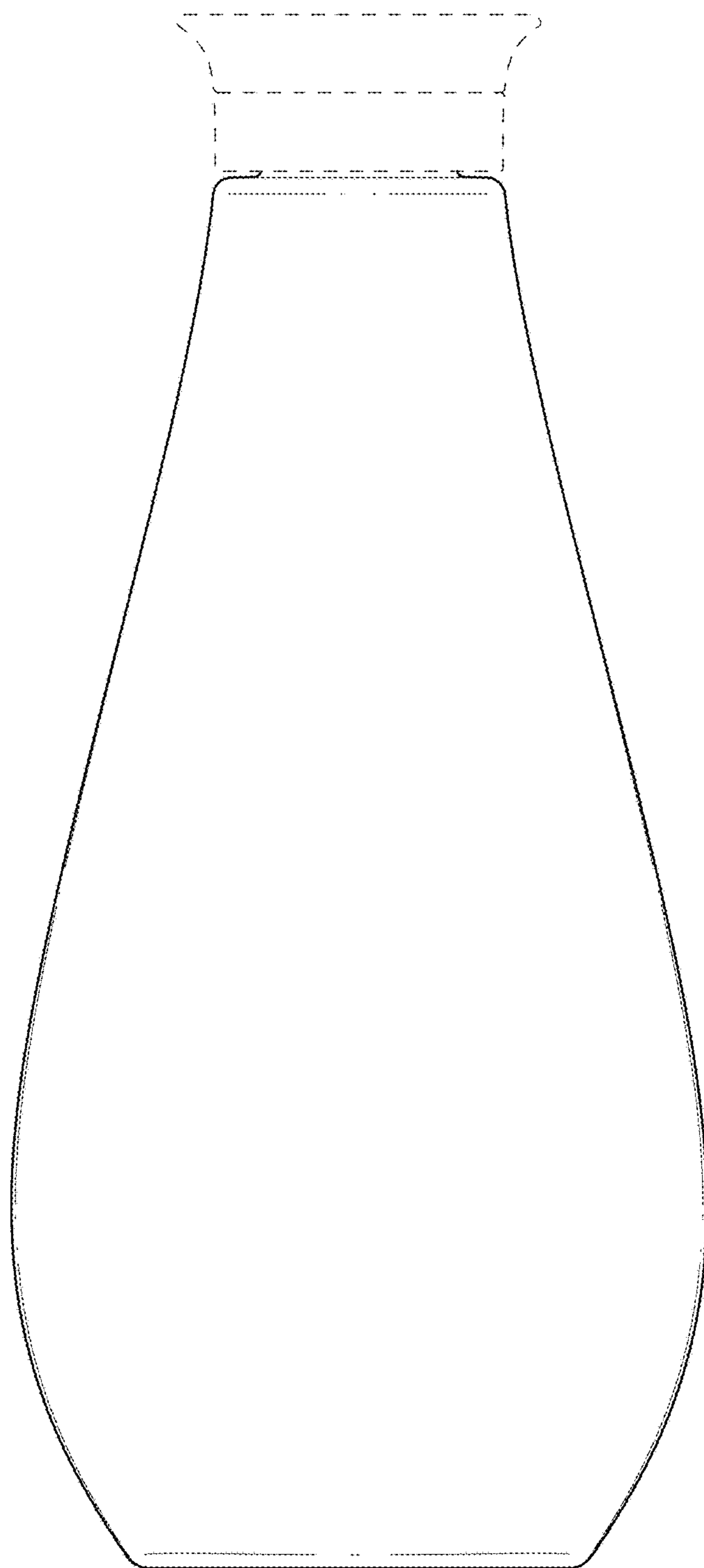


FIG. 3

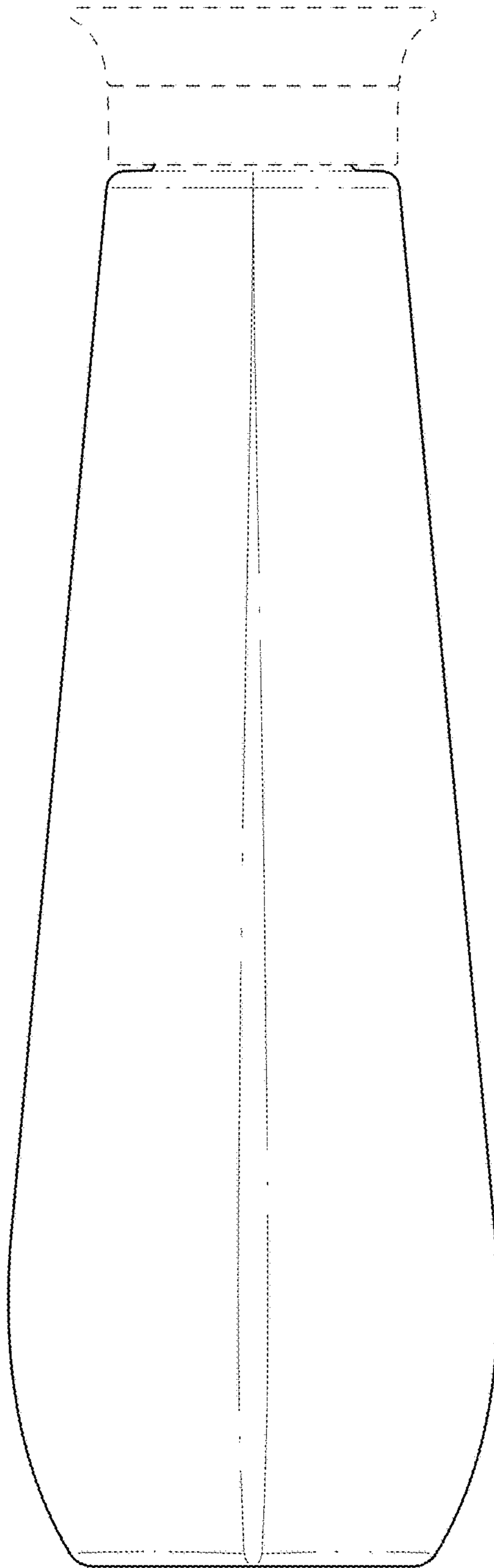


FIG. 4

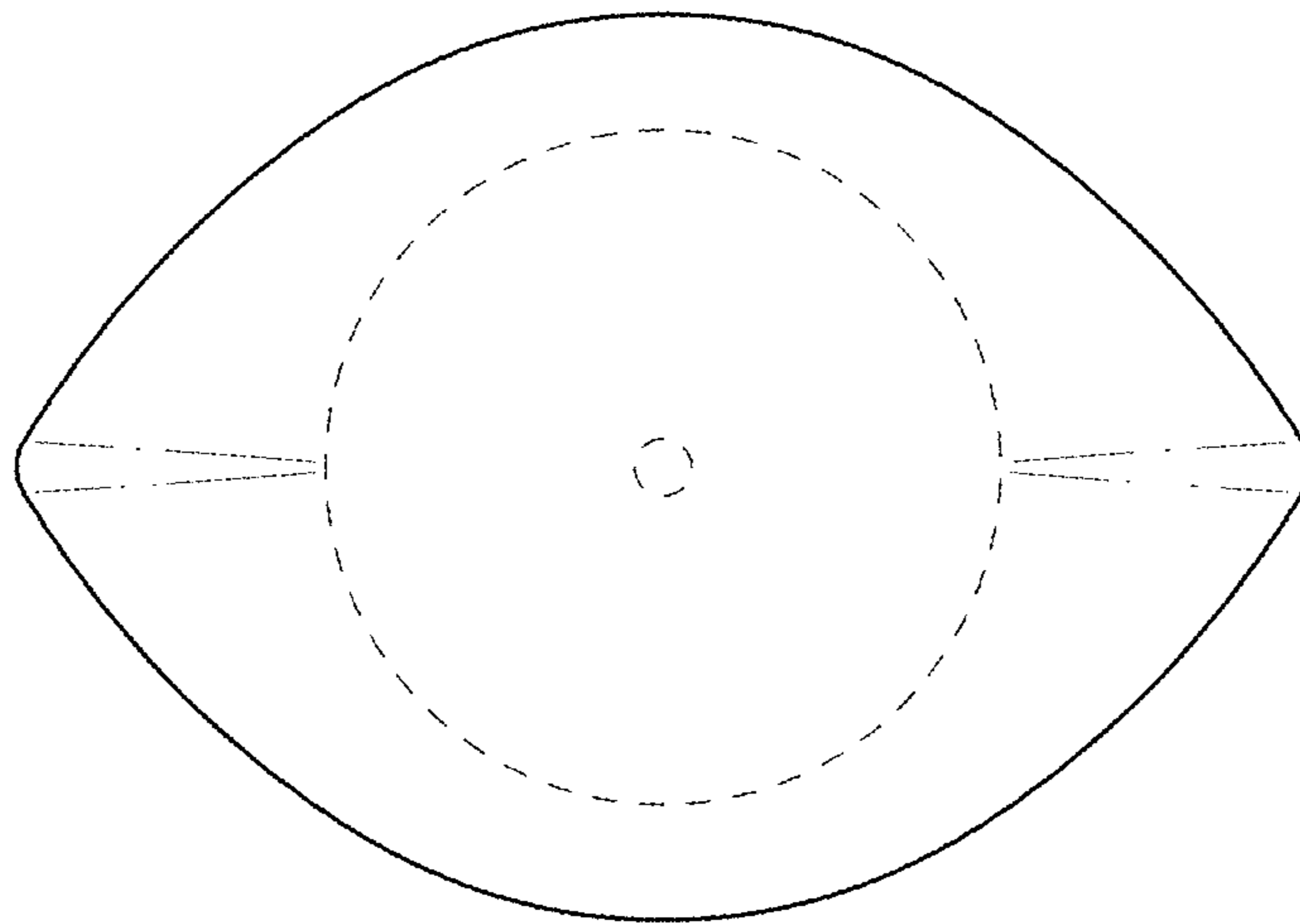


FIG. 5

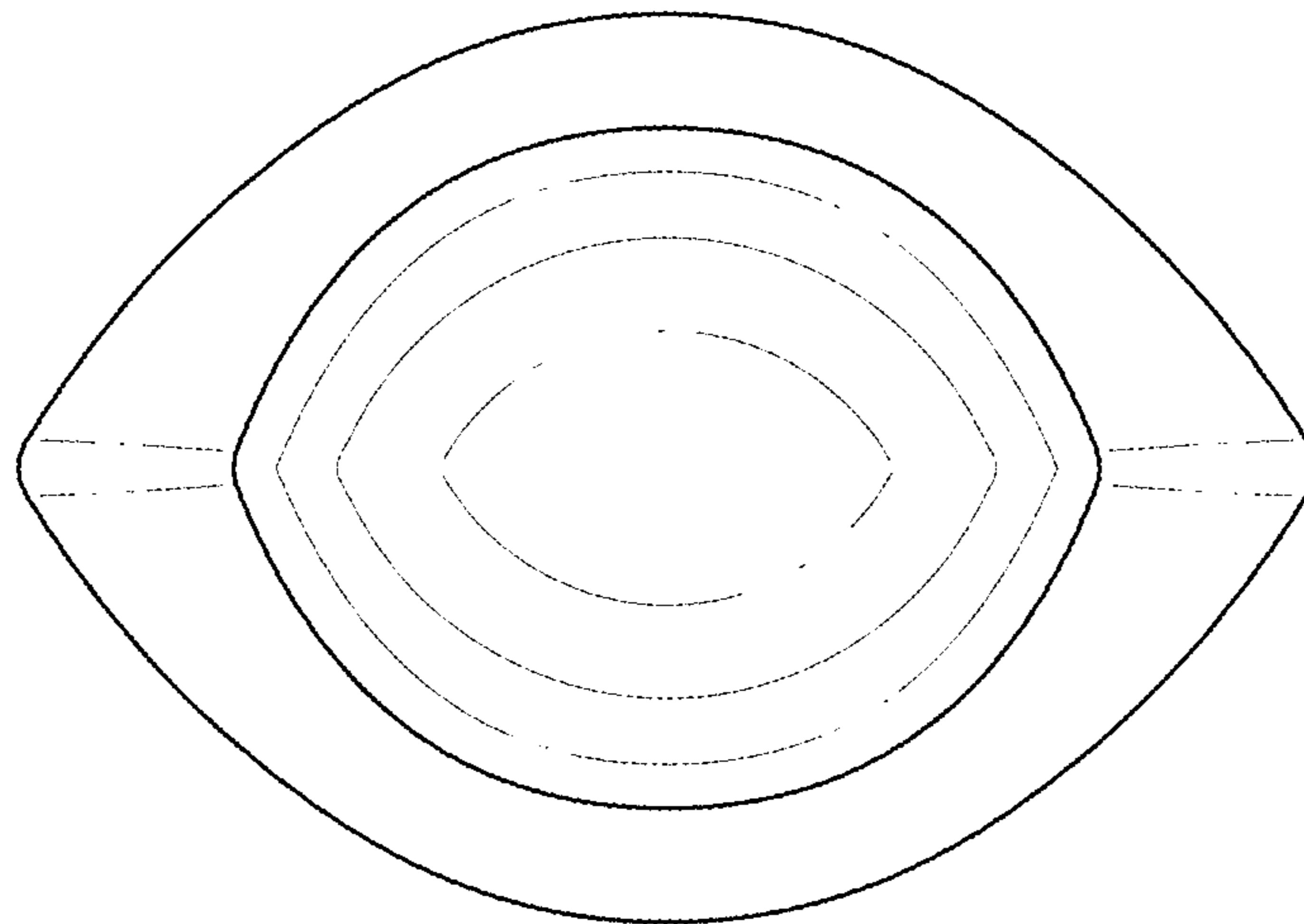


FIG. 6