



US00D832710S

(12) **United States Design Patent**
Kim

(10) **Patent No.:** **US D832,710 S**

(45) **Date of Patent:** **** Nov. 6, 2018**

(54) **COSMETIC VESSEL**

(71) Applicant: **LG HOUSEHOLD & HEALTH CARE LTD.**, Seoul (KR)

(72) Inventor: **Joung Eun Kim**, Seoul (KR)

(73) Assignee: **LG HOUSEHOLD & HEALTH CARE LTD.**, Seoul (KR)

(**) Term: **15 Years**

(21) Appl. No.: **29/589,863**

(22) Filed: **Jan. 5, 2017**

(30) **Foreign Application Priority Data**

Dec. 1, 2016 (KR) 30-2016-0058213

(51) **LOC (11) Cl.** **09-01**

(52) **U.S. Cl.**
USPC **D9/529**; D9/453; D9/454; D9/504;
D9/551; D9/556; D9/558

(58) **Field of Classification Search**
USPC D9/434-435, 444-445, 449, 453-454,
D9/500, 503-504, 516, 529, 549, 558,
D9/715, 682, 686, 688-691, 719
CPC B65D 1/00; B65D 1/02; B65D 1/0223;
B65D 23/00; B65D 81/00; B65D
2501/00; B65D 2501/009
See application file for complete search history.

(56) **References Cited**

U.S. PATENT DOCUMENTS

D152,625 S *	2/1949	Kronman	D9/453
D213,541 S *	3/1969	Cowan	D9/529
D296,672 S *	7/1988	Bouthillier	D9/436
D362,187 S *	9/1995	Thompson	D9/500
D479,469 S *	9/2003	Murata	D9/516
D485,183 S *	1/2004	Lerolle	D9/503
D542,134 S *	5/2007	Chadfield	D9/445

D551,987 S *	10/2007	Kuethe	D9/453
D618,557 S *	6/2010	Jin	D9/545
D645,746 S *	9/2011	Yu	D9/445
D656,034 S *	3/2012	Wanders	D9/428
D696,121 S *	12/2013	Jung	D9/503
D723,934 S *	3/2015	Kim	D9/691
D730,191 S *	5/2015	Hardy	D9/454
D739,762 S *	9/2015	Nagata	D9/572
D763,697 S *	8/2016	Lee	D9/558
RE46,133 E *	9/2016	Jung	D9/503
D772,718 S *	11/2016	Lee	D9/454
D773,311 S *	12/2016	Park	D9/453
D781,715 S *	3/2017	Lee	D9/558
D782,912 S *	4/2017	Jeong	D28/4
D806,546 S *	1/2018	Lloyd	D9/451
D817,178 S *	5/2018	Jeong	D9/558
D821,221 S *	6/2018	Jung	D9/691

* cited by examiner

Primary Examiner — Dana Meyrow

(74) *Attorney, Agent, or Firm* — Mintz Levin Cohn Ferris Glovsky & Popeo, P.C.; Kongsik Kim; Jhongwoo Jay Peck

(57) **CLAIM**

The ornamental design for a cosmetic vessel, as shown and described.

DESCRIPTION

FIG. 1 is a perspective view of a cosmetic vessel according to the present invention.
FIG. 2 is a front view of the cosmetic vessel of FIG. 1.
FIG. 3 is a rear view of the cosmetic vessel of FIG. 1.
FIG. 4 is a left side view of the cosmetic vessel of FIG. 1.
FIG. 5 is a right side view of the cosmetic vessel of FIG. 1; and,
FIG. 6 is an enlarged top view of the cosmetic vessel of FIG. 1.
A bottom view thereof is omitted since it does not contain ornamental features.

1 Claim, 6 Drawing Sheets

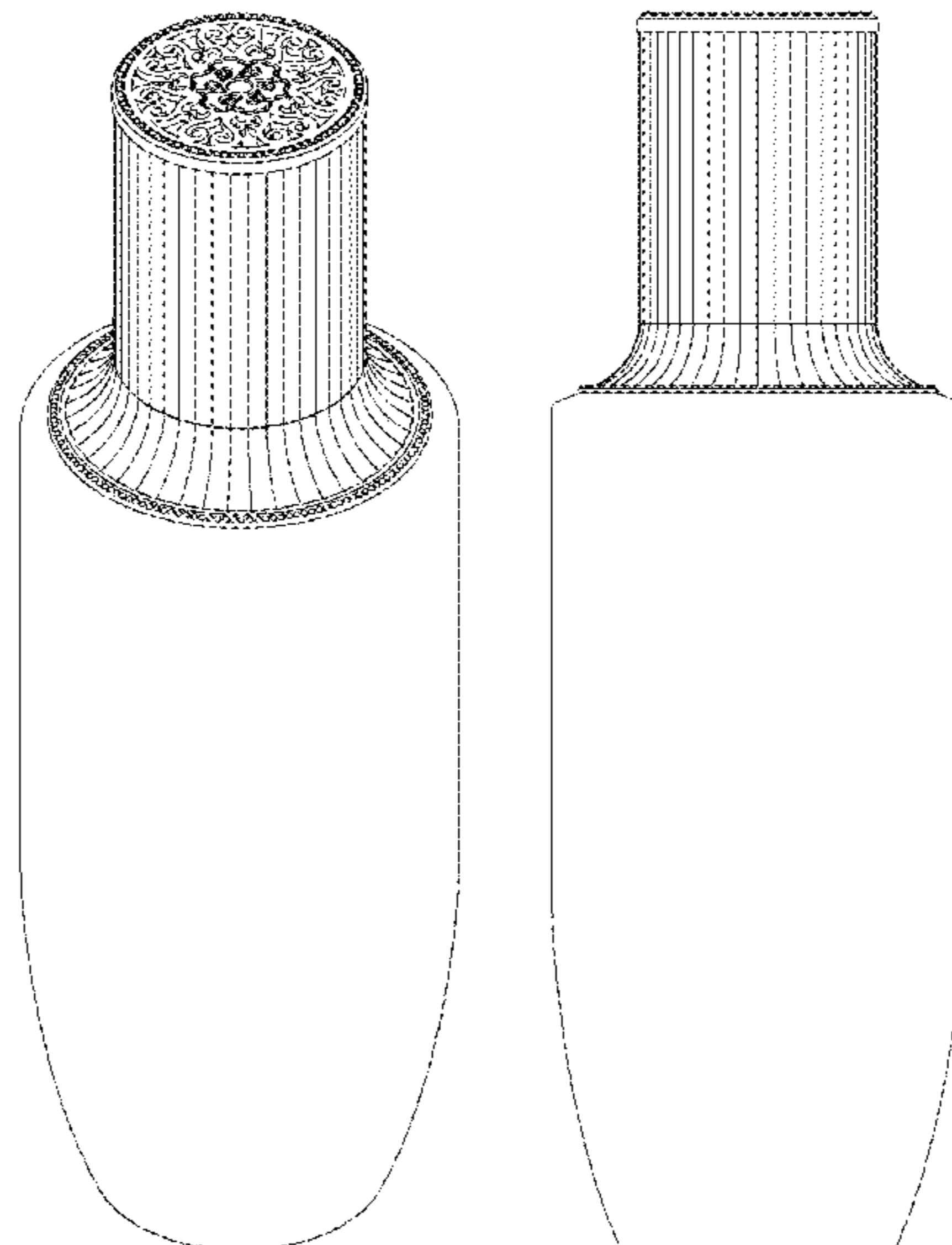


FIG 1

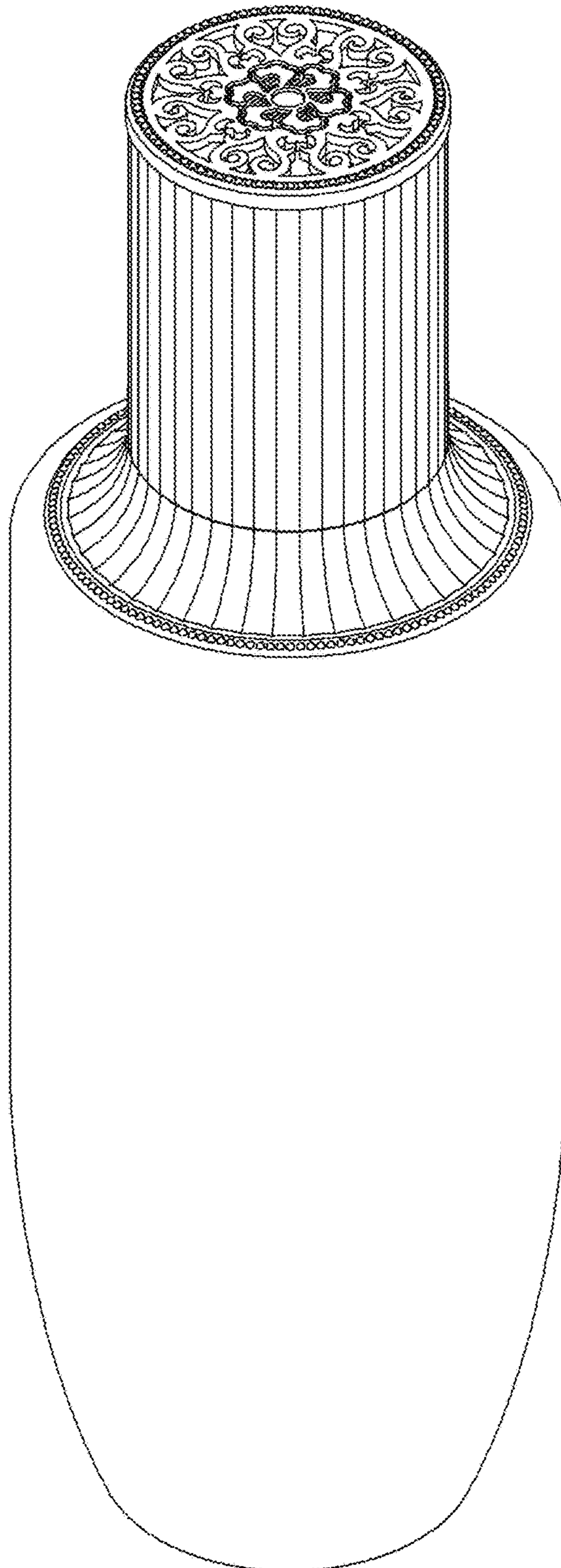


FIG 2

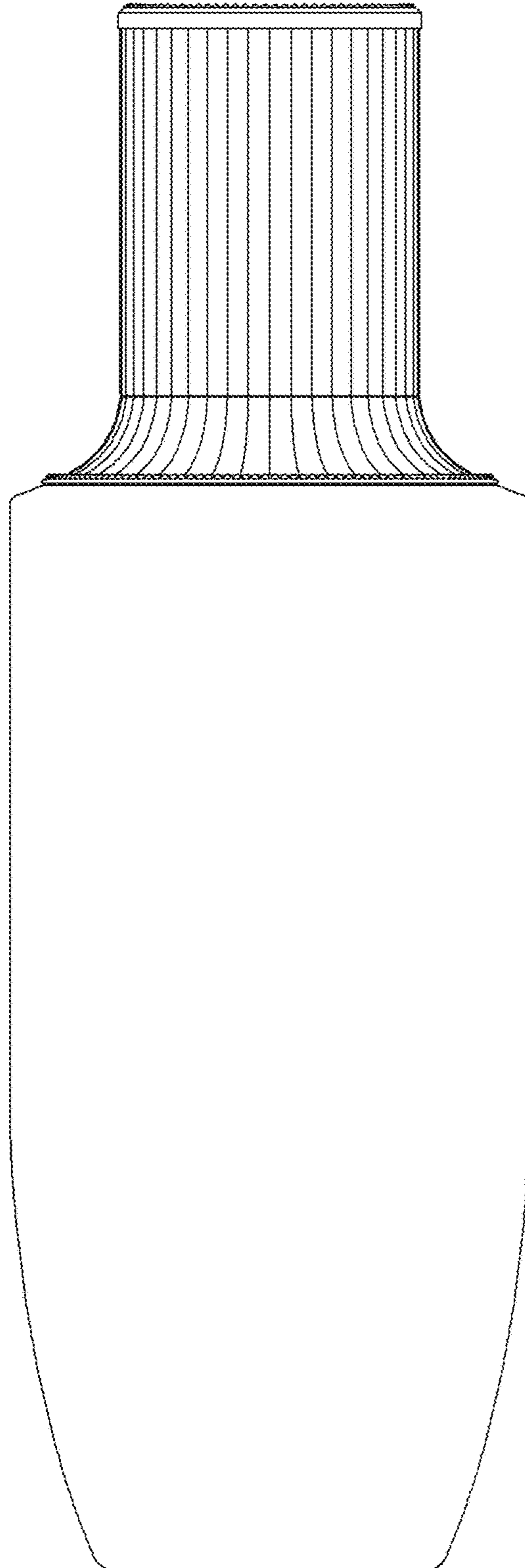


FIG 3

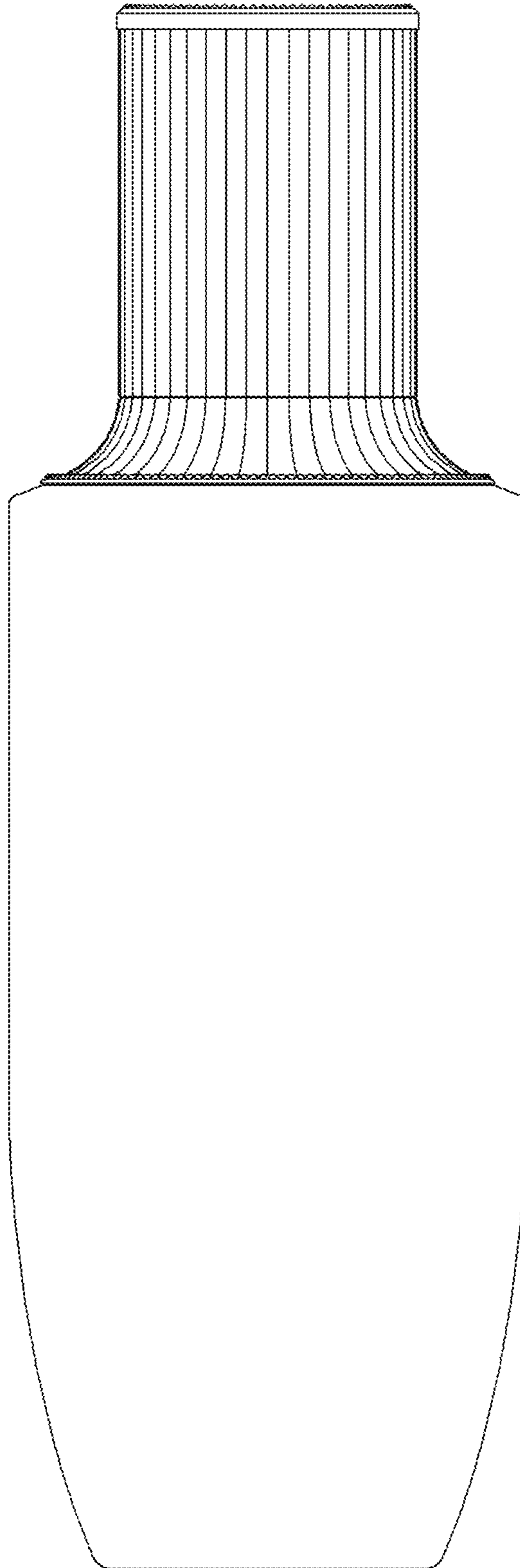


FIG 4

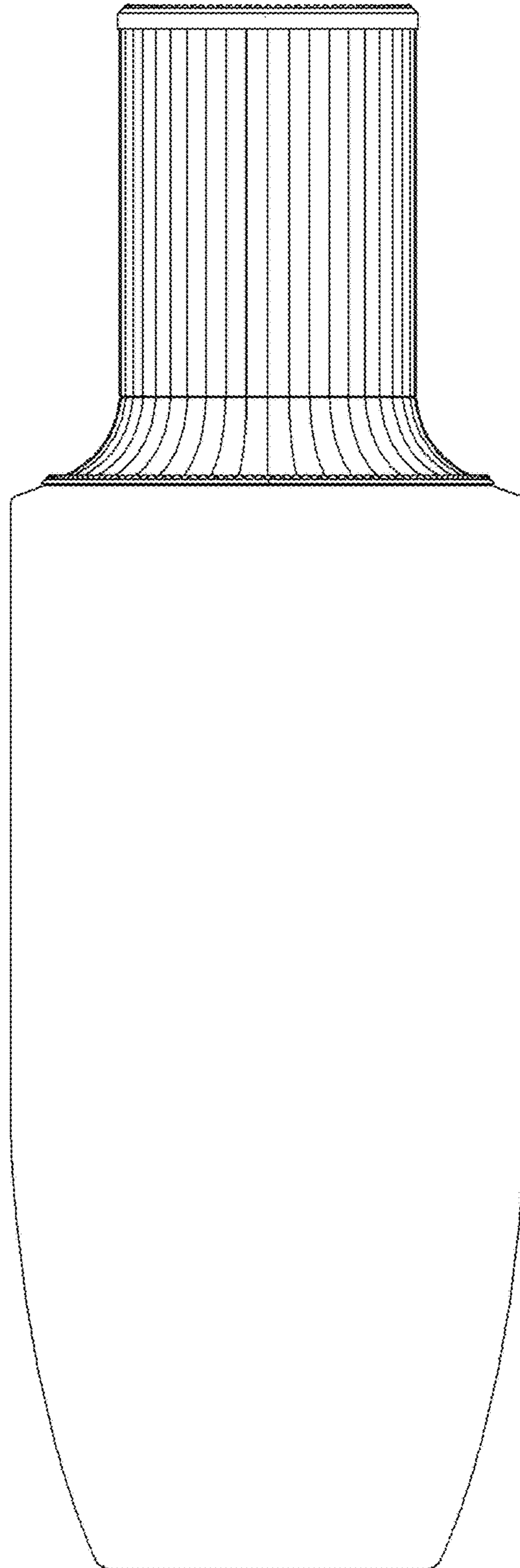


FIG 5



FIG 6

