



US00D832708S

(12) **United States Design Patent** (10) **Patent No.:** **US D832,708 S**
Roser (45) **Date of Patent:** **** Nov. 6, 2018**

- (54) **SHAVE PREPARATION CONTAINER**
- (71) Applicant: **The Gillette Company LLC**, Boston, MA (US)
- (72) Inventor: **Elisha Abigail Roser**, Cincinnati, OH (US)
- (73) Assignee: **The Gillette Company LLC**, Boston, MA (US)
- (**) Term: **15 Years**
- (21) Appl. No.: **29/593,500**
- (22) Filed: **Feb. 9, 2017**

D388,320 S	*	12/1997	Lamb	D9/435
D395,597 S		6/1998	Lamb		
D396,639 S		8/1998	Pedersen-Rask		
D413,257 S		8/1999	Favre		
D413,793 S		9/1999	Favre		
D457,961 S		5/2002	Mark		
D491,800 S	*	6/2004	Palomino, Jr.	D9/504
D497,778 S	*	11/2004	Rich	D7/608
D518,382 S		4/2006	McGuinness		
D631,758 S	*	2/2011	Alvares	D9/766
D683,221 S		5/2013	Graham et al.		
D697,424 S	*	1/2014	Adams	B65D 83/205 D9/445
D709,381 S		7/2014	Mochizuki et al.		
D712,278 S	*	9/2014	Adams	B65D 83/205 D9/688
D736,081 S		8/2015	Markle et al.		
D782,313 S	*	3/2017	Roser	D9/504
D796,345 S	*	9/2017	Hirsberg	D9/772

Related U.S. Application Data

- (62) Division of application No. 29/496,617, filed on Jul. 15, 2014, now Pat. No. Des. 782,313.
- (51) **LOC (11) Cl.** **09-01**
- (52) **U.S. Cl.**
USPC **D9/504**; D9/529; D9/552
- (58) **Field of Classification Search**
USPC D9/434-435, 444-445, 454, 500,
D9/503-504, 516, 529, 549, 552, 558,
D9/575, 682, 686, 691, 715, 719,
D9/723-727, 729, 763, 772; D28/4, 86,
D28/88, 89
CPC B65D 1/00; B65D 1/02; B65D 1/0223;
B65D 23/00; B65D 81/00; B65D
2501/00; B65D 2501/009
See application file for complete search history.

References Cited

U.S. PATENT DOCUMENTS

D322,391 S	12/1991	Morane	
D324,171 S	2/1992	Morane	
D343,926 S	2/1994	Garouste et al.	
D386,949 S	* 12/1997	McArdle D7/590

* cited by examiner

Primary Examiner — Dana Meyrow

(74) *Attorney, Agent, or Firm* — Ronald T. Sia; Kevin C. Johnson

(57) **CLAIM**

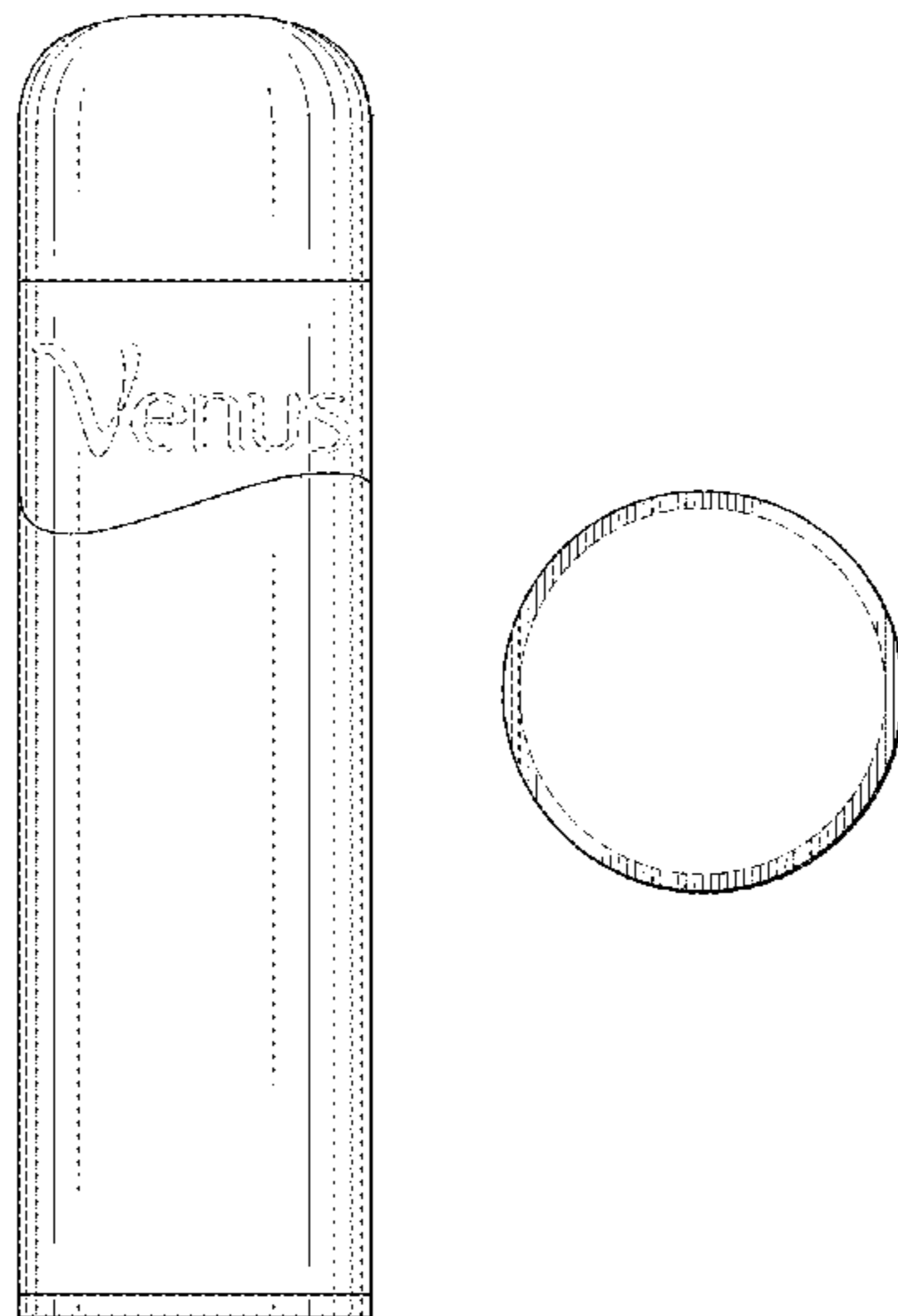
The ornamental design for a shave preparation container, as shown and described.

DESCRIPTION

FIG. 1 is a perspective view of a shave preparation container showing my new design;
 FIG. 2 is a front view thereof;
 FIG. 3 is a back view thereof;
 FIG. 4 is a right view thereof;
 FIG. 5 is a left view thereof;
 FIG. 6 is a top view thereof; and,
 FIG. 7 is a bottom view thereof.

The broken lines in the drawings illustrate the portions of the shave preparation container that form no part of the claim.

1 Claim, 4 Drawing Sheets



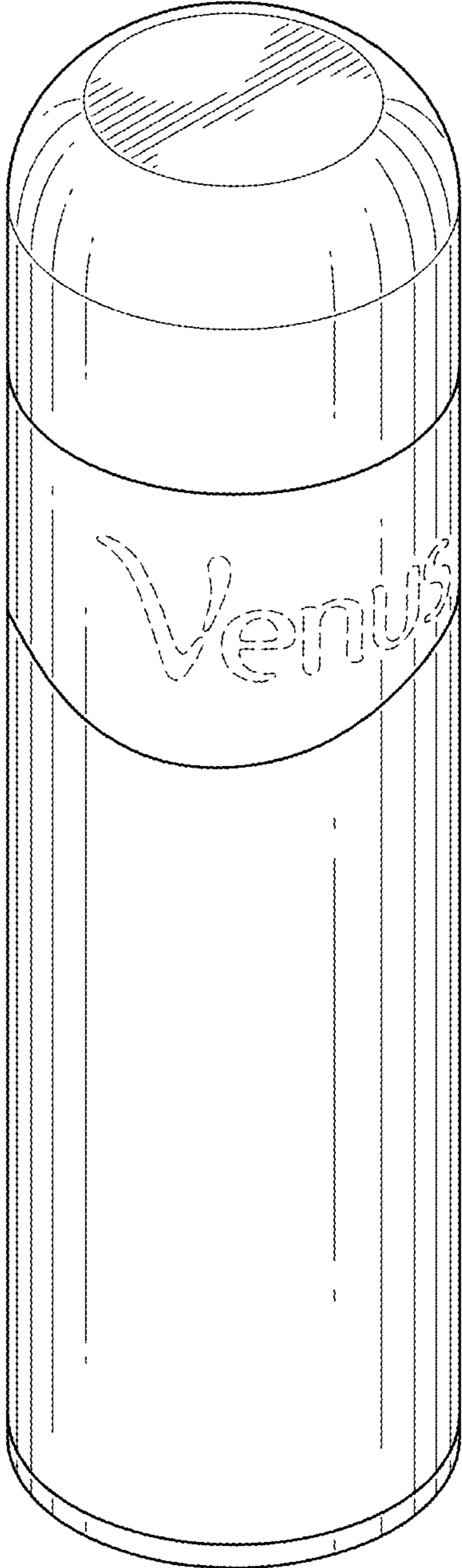


FIG. 1

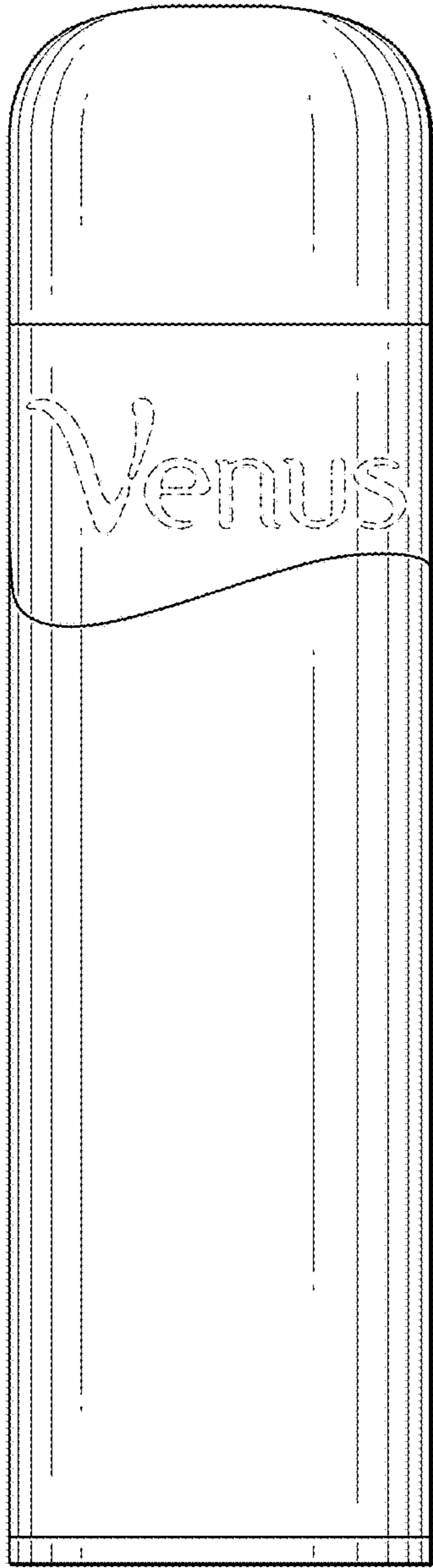


FIG. 2

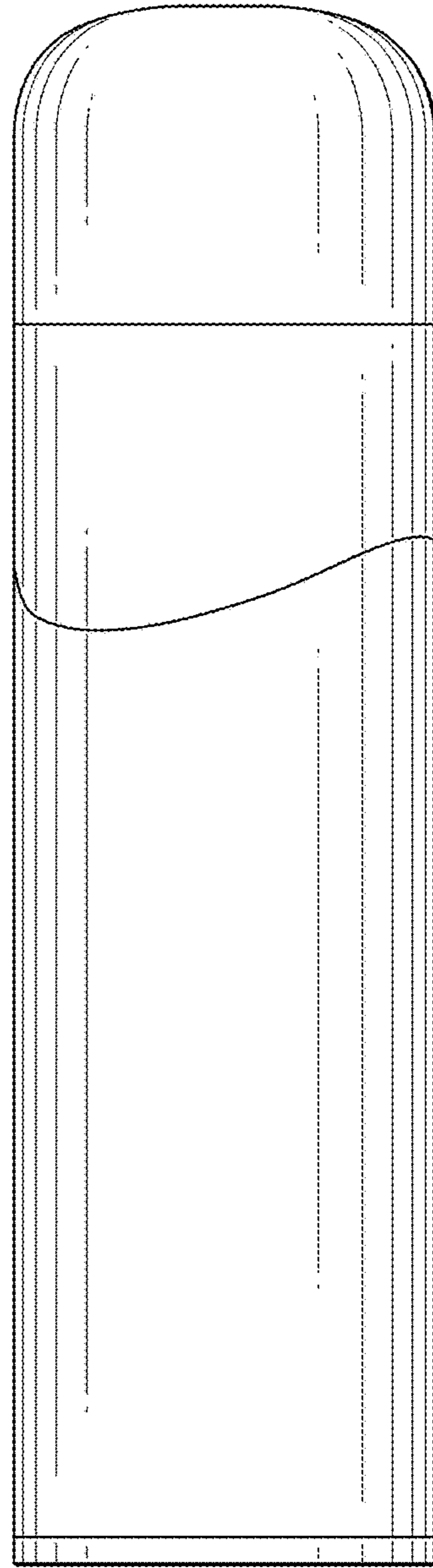


FIG. 3

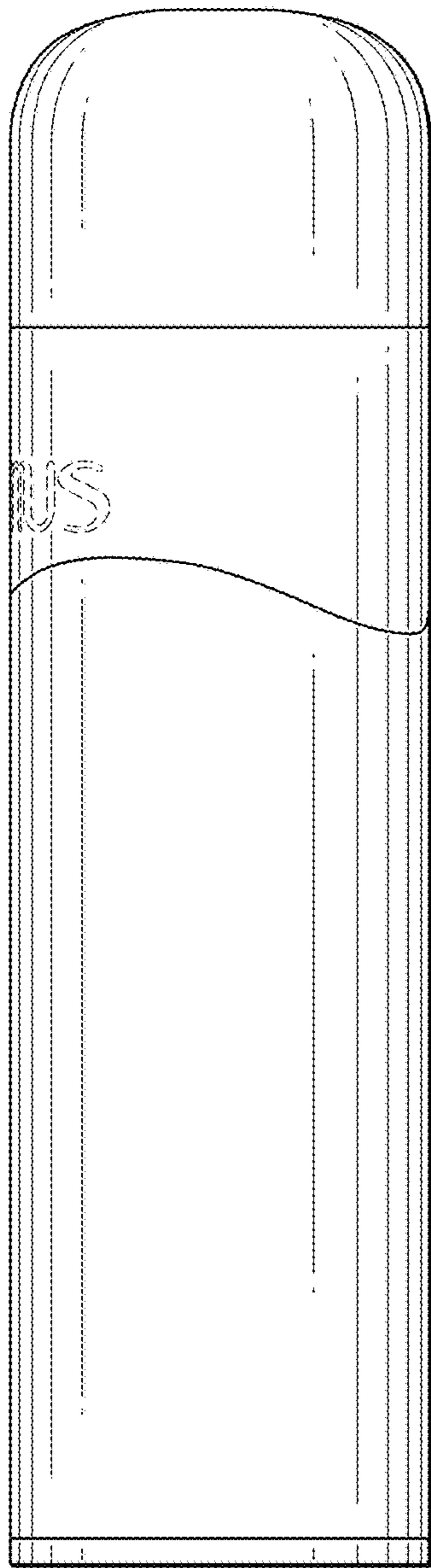


FIG. 4

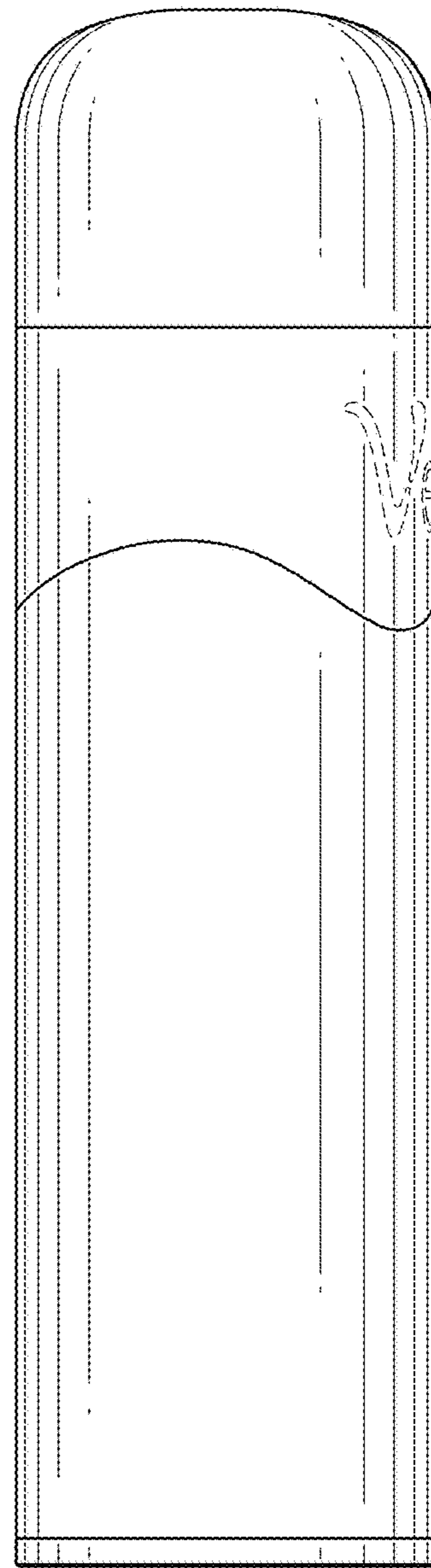


FIG. 5

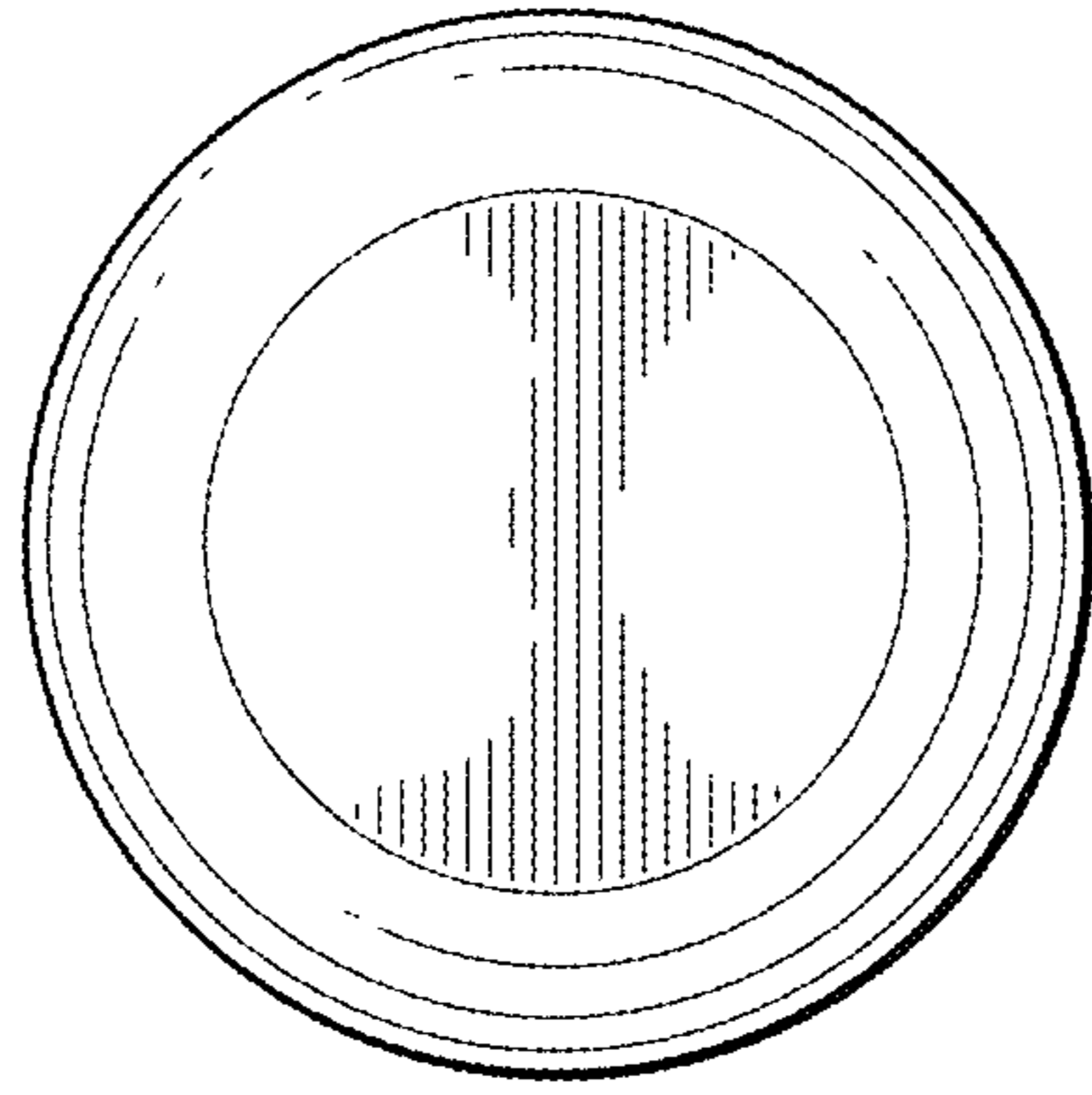


FIG. 6

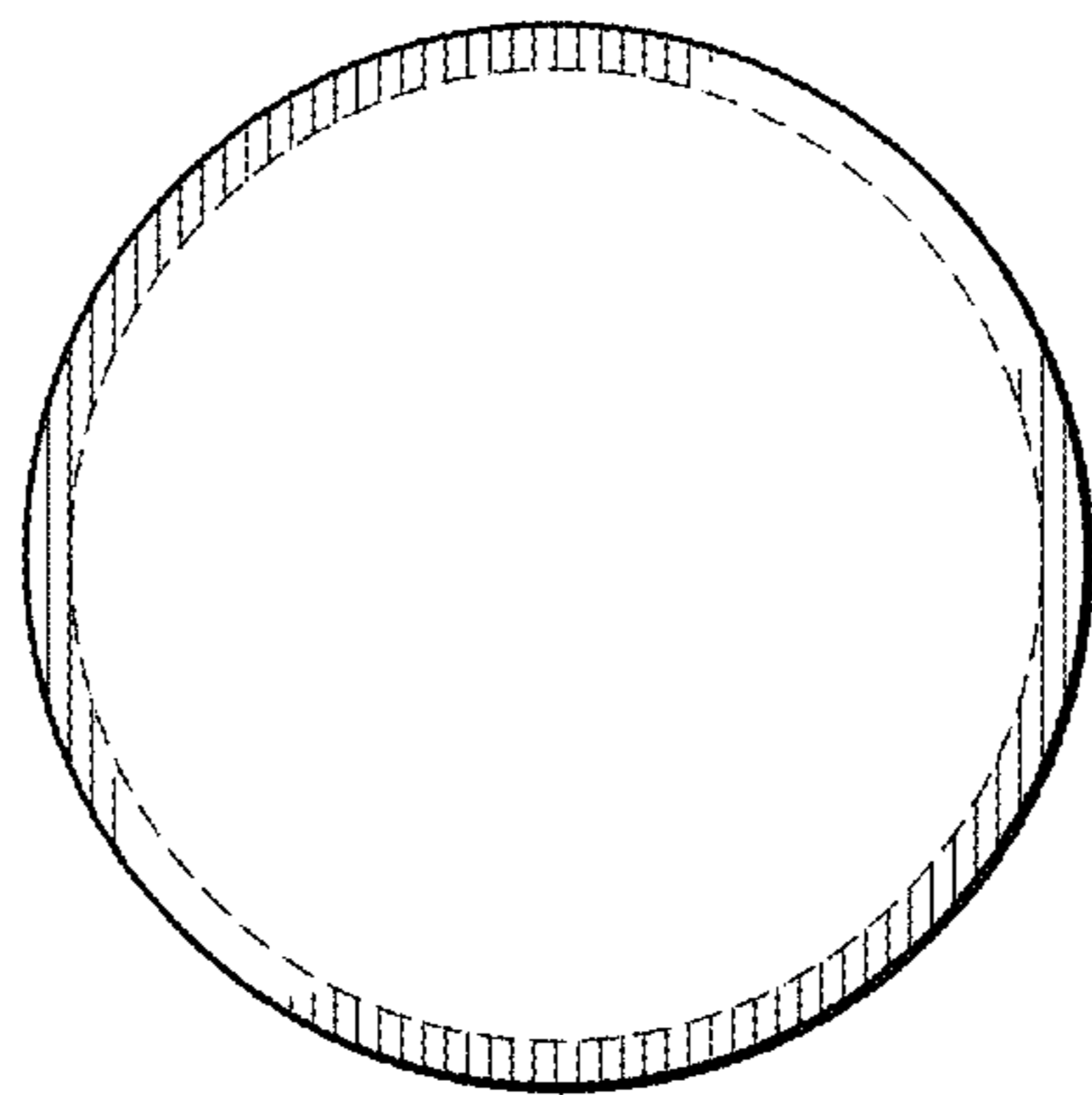


FIG. 7