



US00D832707S

(12) **United States Design Patent**
Khouri Klink et al.

(10) **Patent No.:** **US D832,707 S**
(45) **Date of Patent:** **** Nov. 6, 2018**

- (54) **PERFUME BOTTLE**
- (71) Applicant: **PC DESIGN S.A.R.L.**, Tangier (MA)
- (72) Inventors: **Nadim Khouri Klink**, Tangier (MA);
Peggy Maaz, Tangier (MA)
- (73) Assignee: **PC DESIGN S.A.R.L.**, Tangier (MA)
- (**) Term: **15 Years**
- (21) Appl. No.: **29/548,091**
- (22) Filed: **Dec. 10, 2015**
- (51) **LOC (11) Cl.** **09-01**
- (52) **U.S. Cl.**
USPC **D9/504**; D9/529; D9/575
- (58) **Field of Classification Search**
USPC D9/500, 502-505, 516, 530, 537-539,
D9/549, 558, 575, 682, 686, 688-691,
D9/715, 719, 529; D28/91.1, 76;
D4/116
CPC B65D 1/04; B65D 83/384; B65D 41/16;
B65D 77/06
See application file for complete search history.

(56) **References Cited**

U.S. PATENT DOCUMENTS

581,488	A	*	4/1897	McDonad	B65D 7/045
						220/648
2,063,013	A	*	12/1936	Cooper	B65D 7/46
						220/669
D274,209	S	*	6/1984	Kikuchi	D7/608
D293,954	S	*	1/1988	Moore	D34/39
D310,777	S	*	9/1990	Ross	D7/608
D422,287	S	*	4/2000	Gibson	D15/81
D474,021	S	*	5/2003	Lenaerts	D3/273
D503,829	S	*	4/2005	Tanii	D28/76
D523,141	S	*	6/2006	Massey	D24/121
D526,208	S	*	8/2006	Klein	D7/606
D559,701	S	*	1/2008	Cheskala	D9/633

D576,833	S	*	9/2008	Mansell	D7/332
D612,215	S	*	3/2010	Bergen	D7/636
D654,378	S	*	2/2012	Tucker	D9/500
D708,960	S	*	7/2014	Lin	D9/692
D732,262	S	*	6/2015	Pellham	D34/39
D754,485	S	*	4/2016	Lapsker	D7/523
D776,354	S	*	1/2017	Schlatter	D28/85
D777,985	S	*	1/2017	Schlatter	D28/85

OTHER PUBLICATIONS

Related Community design application 002904375-0001 filed Dec. 10, 2015.

* cited by examiner

Primary Examiner — Ian Simmons

Assistant Examiner — Keith Frank

(74) *Attorney, Agent, or Firm* — Margaret Polson; Polson Intellectual Property Law, PC

(57) **CLAIM**

The ornamental design for a perfume bottle, as shown and described.

DESCRIPTION

FIG. 1 is a front perspective view of a perfume bottle showing my new design;

FIG. 2 is a front perspective view with the lid and bottle separated thereof;

FIG. 3 is a side elevation view of FIG. 1, with all side views being identical;

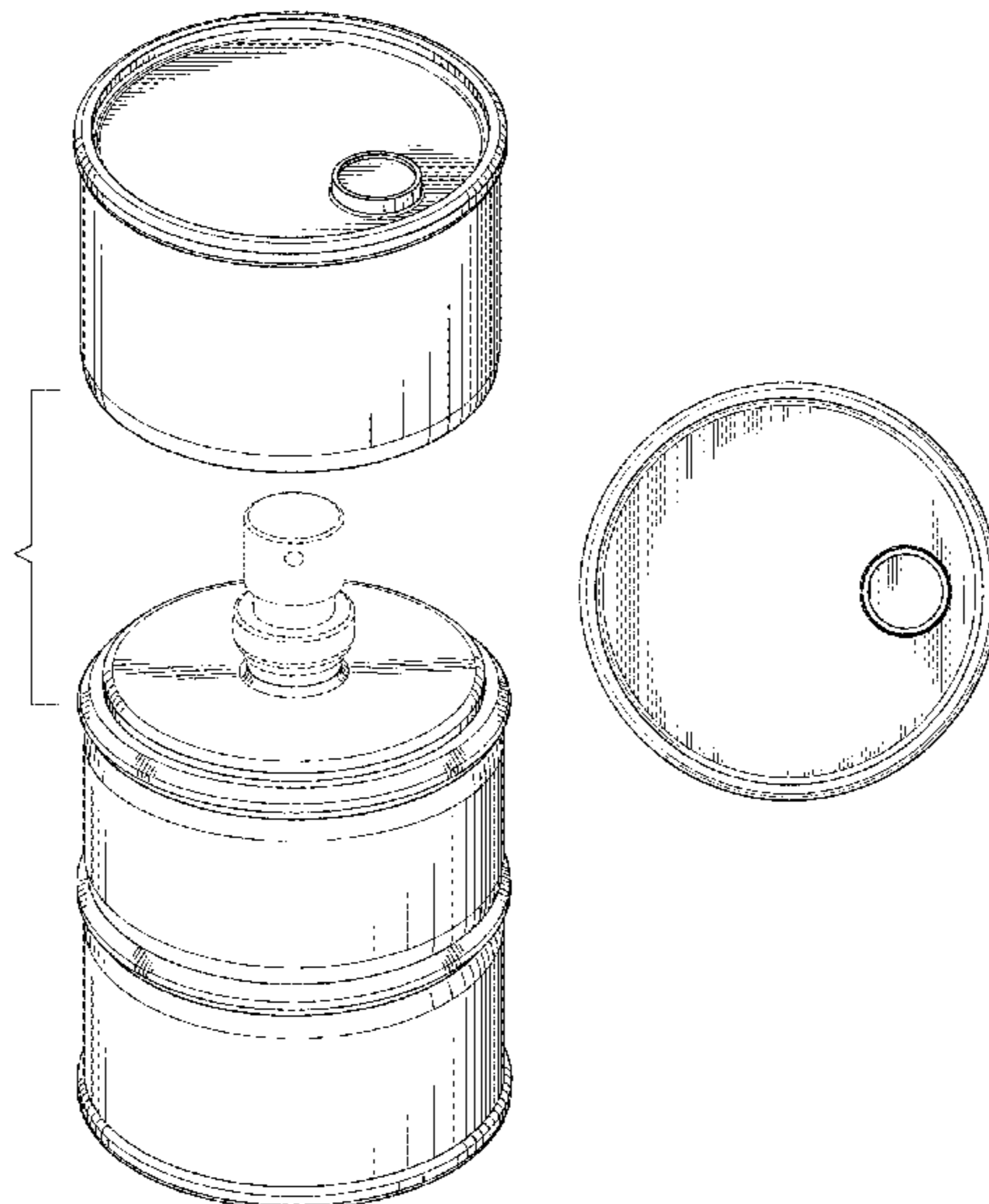
FIG. 4 is a side elevation view of FIG. 2, with all sides being identical;

FIG. 5 is a top plan view thereof; and,

FIG. 6 is a bottom plan view thereof.

The broken lines in the drawings showing the perfume bottle illustrate the portions of the perfume bottle that form no part of the claimed design.

1 Claim, 3 Drawing Sheets



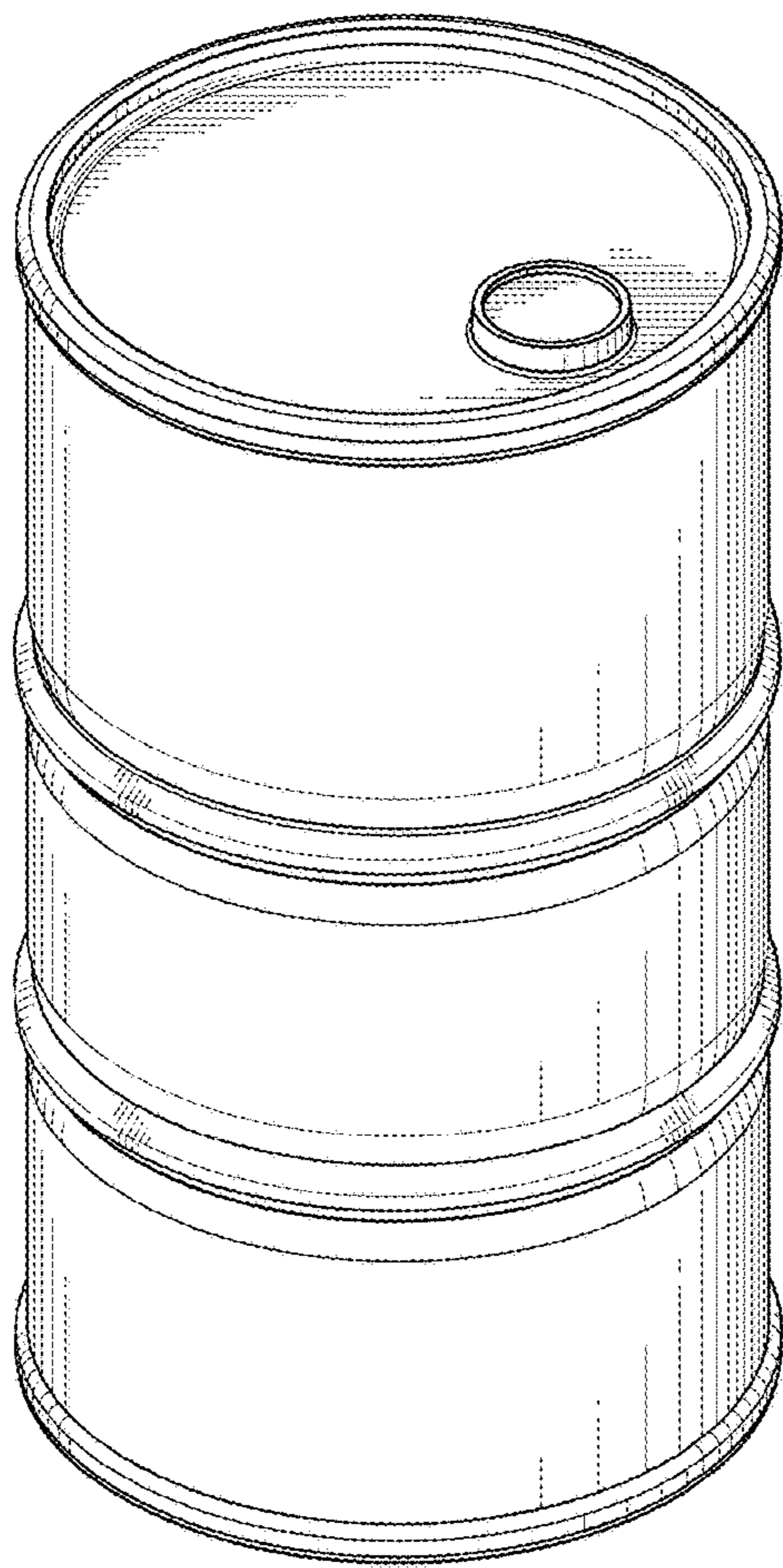


FIG.1

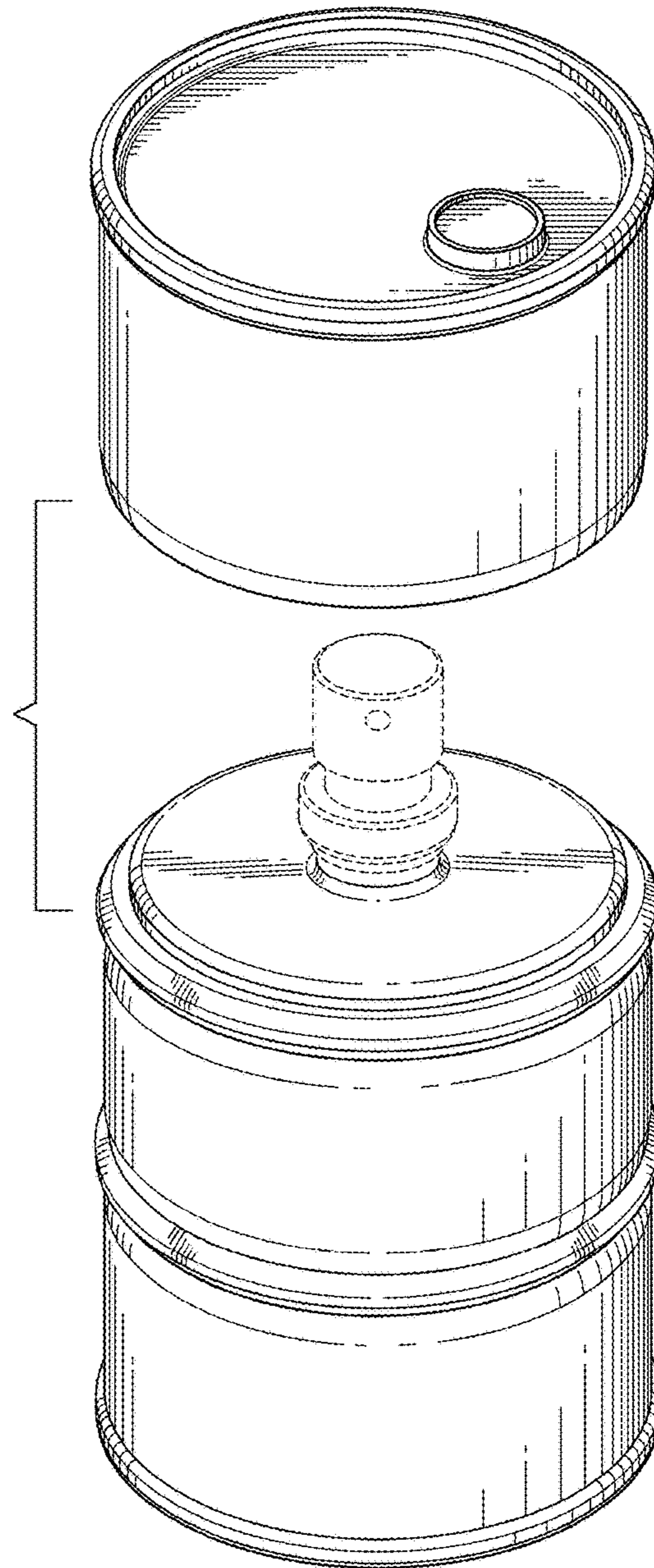


FIG.2

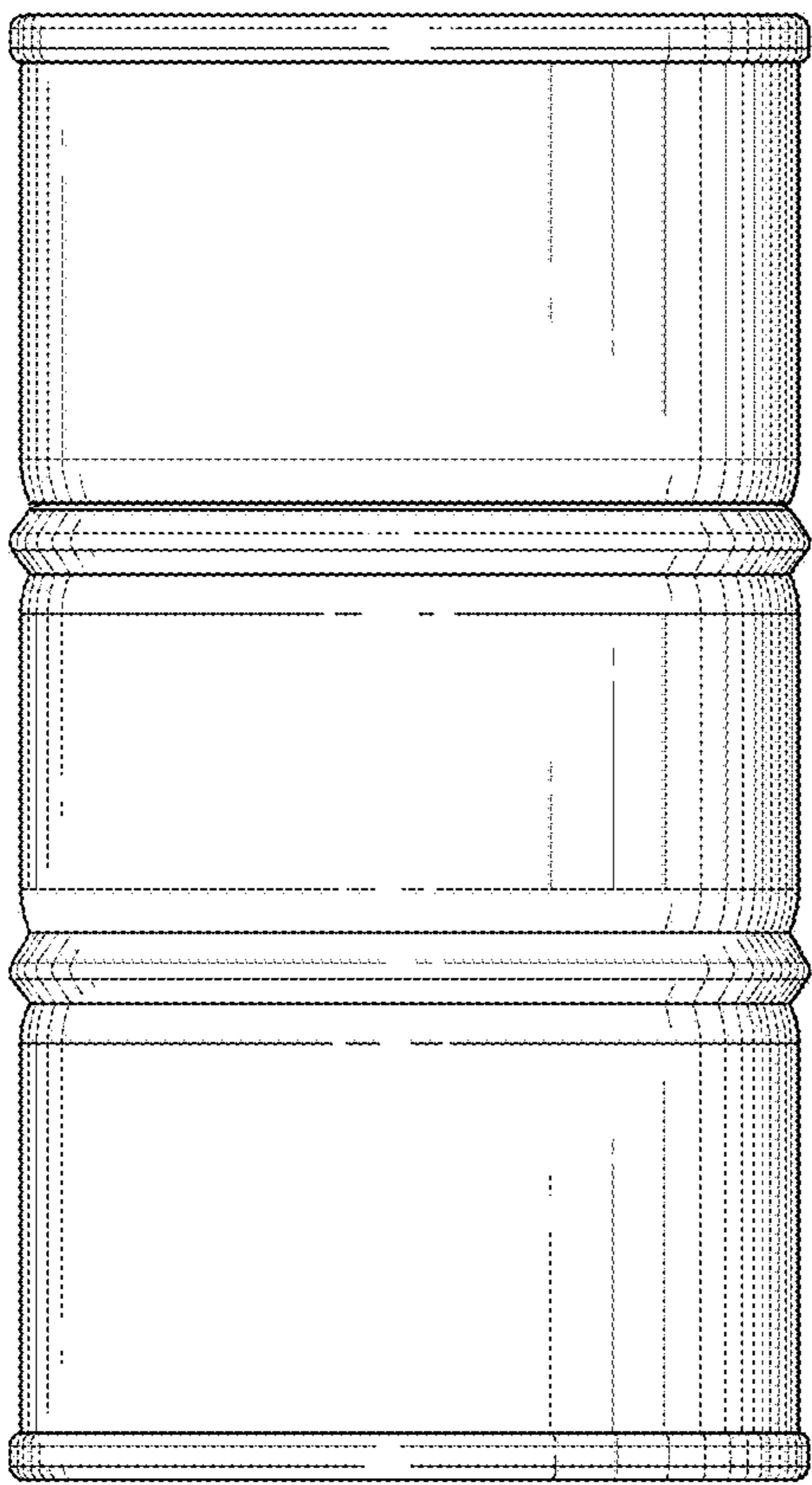


FIG.3

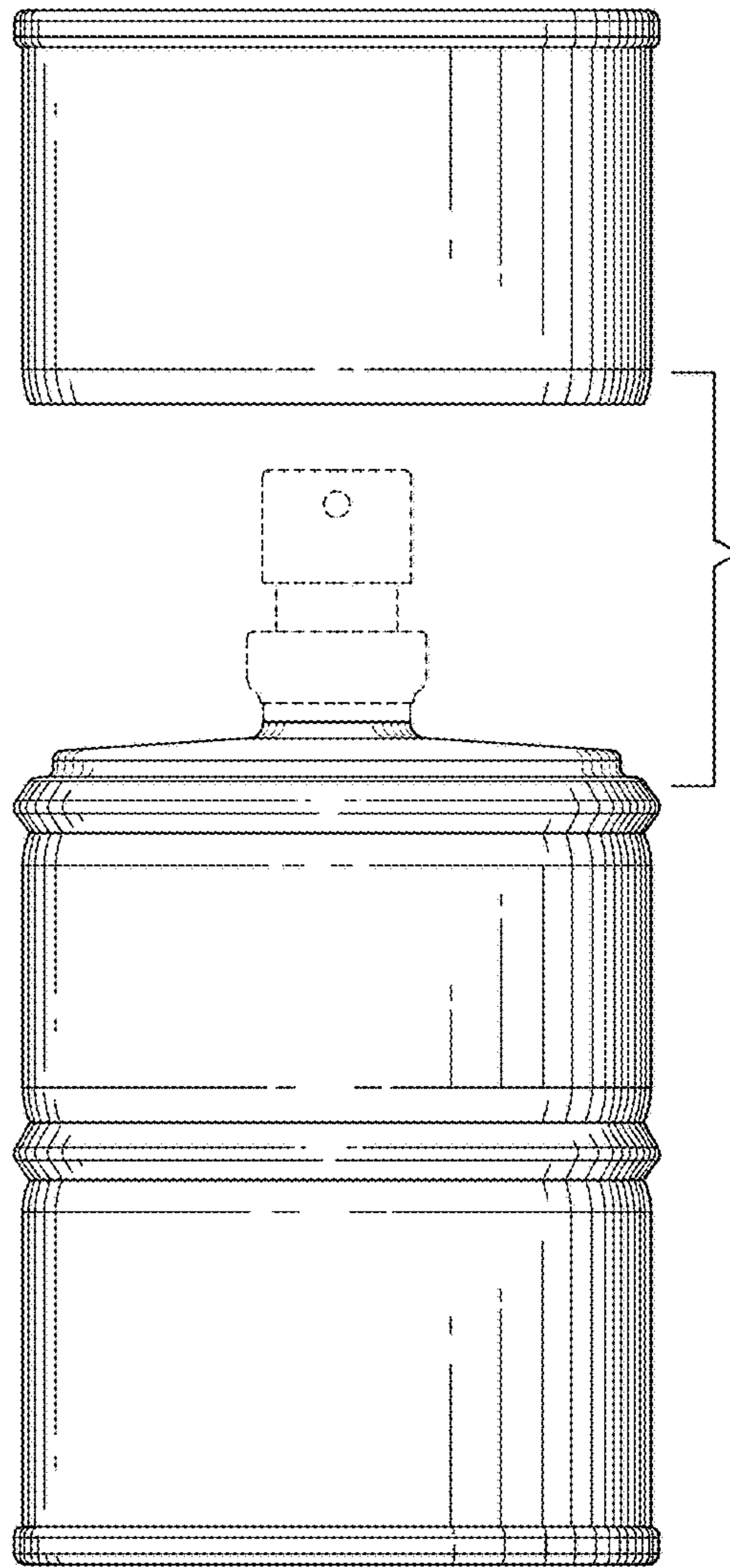


FIG.4

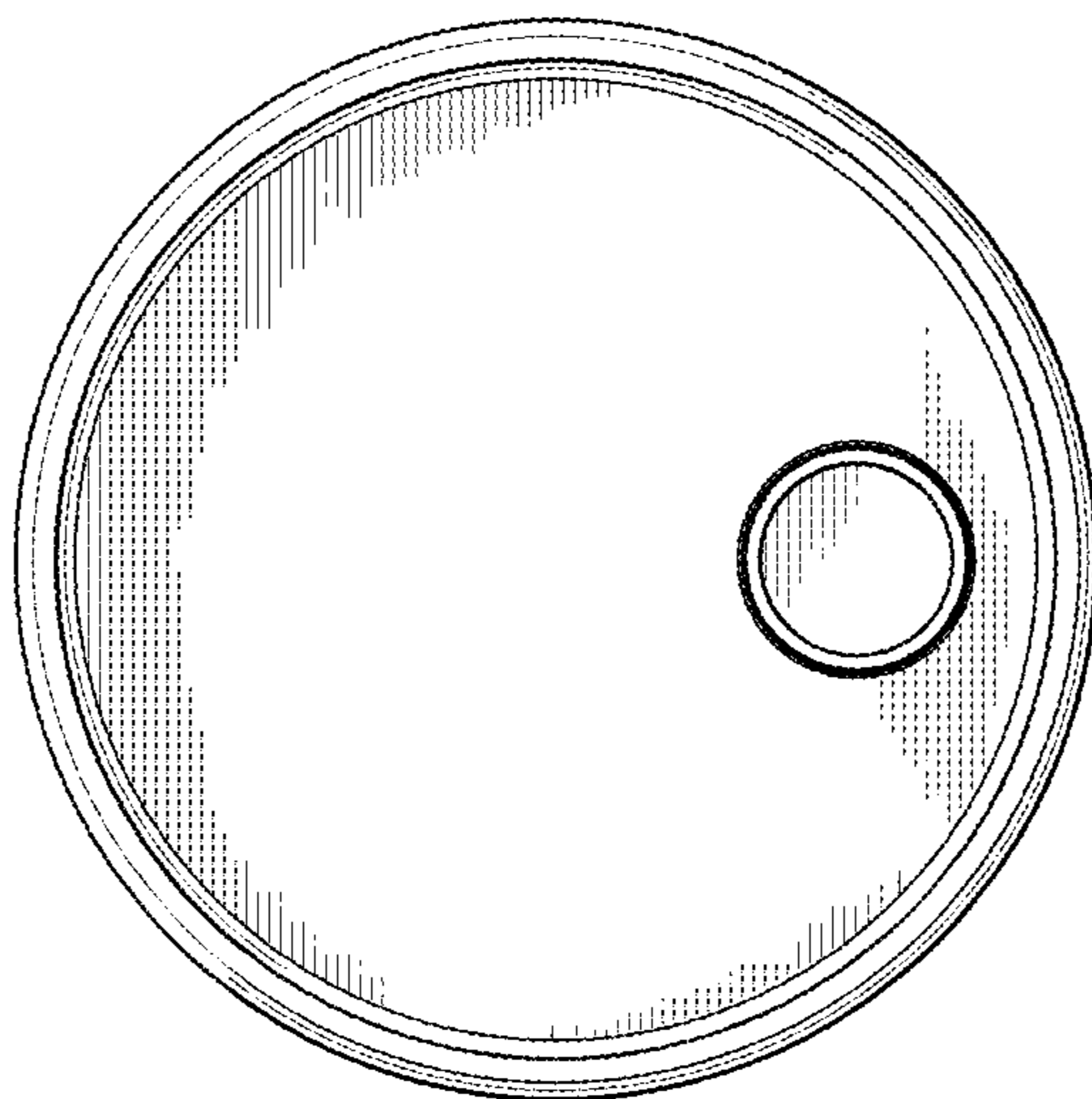


FIG.5

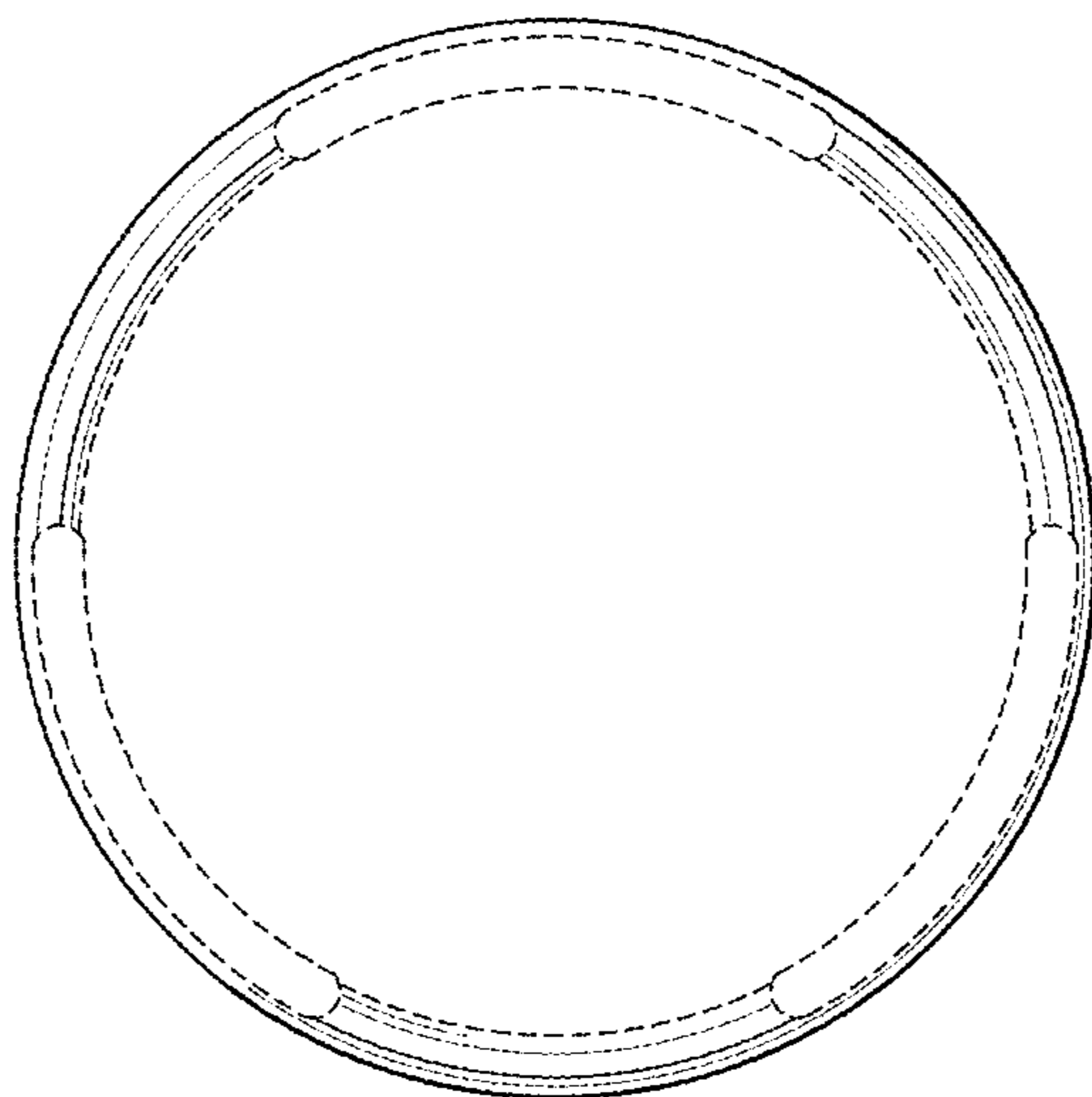


FIG.6