

US00D832706S

(12) **United States Design Patent**
Uziard

(10) **Patent No.:** **US D832,706 S**
(45) **Date of Patent:** **** Nov. 6, 2018**

(54) **BOTTLE**

(71) Applicant: **SOREMARTEC S.A.**

(72) Inventor: **Luca Uziard**, Sommariva del Bosco (IT)

(73) Assignee: **SOREMARTEC S.A.**, Findel (LU)

(**) Term: **15 Years**

(21) Appl. No.: **29/550,071**

(22) Filed: **Dec. 30, 2015**

Related U.S. Application Data

(63) Continuation-in-part of application No. 29/494,217, filed on Jun. 18, 2014.

(51) **LOC (11) Cl.** **09-01**

(52) **U.S. Cl.**
USPC **D9/503**; D9/445; D9/453; D9/454;
D9/502

(58) **Field of Classification Search**

USPC D9/434-435, 444-445, 453-454, 500,
D9/502-504, 516, 529, 549, 557-558,
D9/715, 719, 520; D24/197

CPC B65D 1/00; B65D 1/02; B65D 1/0223;
B65D 23/00; B65D 81/00; B65D 83/00;
B65D 2501/00; B65D 2501/0009

See application file for complete search history.

(56) **References Cited**

U.S. PATENT DOCUMENTS

D261,105 S 10/1981 Schwartz
D306,262 S 2/1990 Bit
5,038,947 A 8/1991 Strassheimer

D375,559 S * 11/1996 Baxter D24/224
D396,639 S 8/1998 Pedersen-Rask
D406,764 S 3/1999 Bright
D418,420 S 1/2000 Guislain
D453,003 S * 1/2002 Rashid D9/502
D457,435 S * 5/2002 Rashid D9/502
D475,615 S 6/2003 Podlucky
D477,230 S 7/2003 Takaichi
D477,232 S 7/2003 Podlucky
7,051,890 B2 5/2006 Onoda
7,296,701 B2 11/2007 Ozawa
D576,499 S * 9/2008 Laupie D9/557
D581,272 S * 11/2008 Yourist D9/502
D606,410 S * 12/2009 Kissinger D9/516
D622,615 S 8/2010 Tune
D650,677 S 12/2011 Wurster
D661,192 S 6/2012 Hwang
D705,068 S * 5/2014 Janssen D9/516
D709,377 S 7/2014 Kondo
D726,011 S 4/2015 Dong

* cited by examiner

Primary Examiner — Dana Meyrow

(74) *Attorney, Agent, or Firm* — Rothwell, Figg, Ernst & Manbeck P.C.

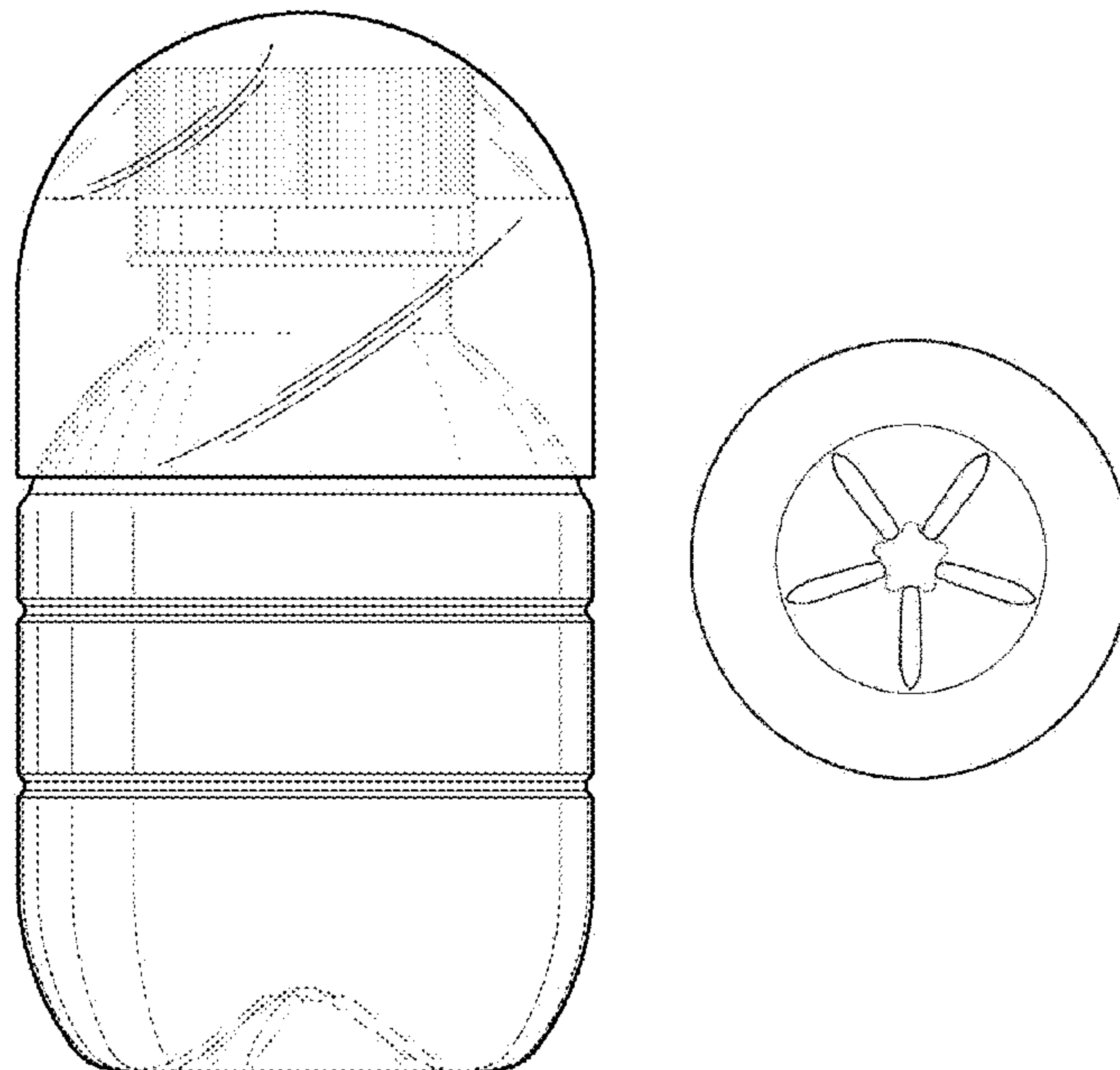
(57) **CLAIM**

The ornamental design for a bottle, as shown and described.

DESCRIPTION

FIG. 1 shows a front elevation view of the bottle;
FIG. 2 shows a rear elevation view thereof;
FIG. 3 shows a right side elevation view thereof;
FIG. 4 shows a left side elevation view thereof;
FIG. 5 shows a top plan view thereof;
FIG. 6 shows a bottom plan thereof; and,
FIG. 7 shows a perspective view thereof.

1 Claim, 7 Drawing Sheets



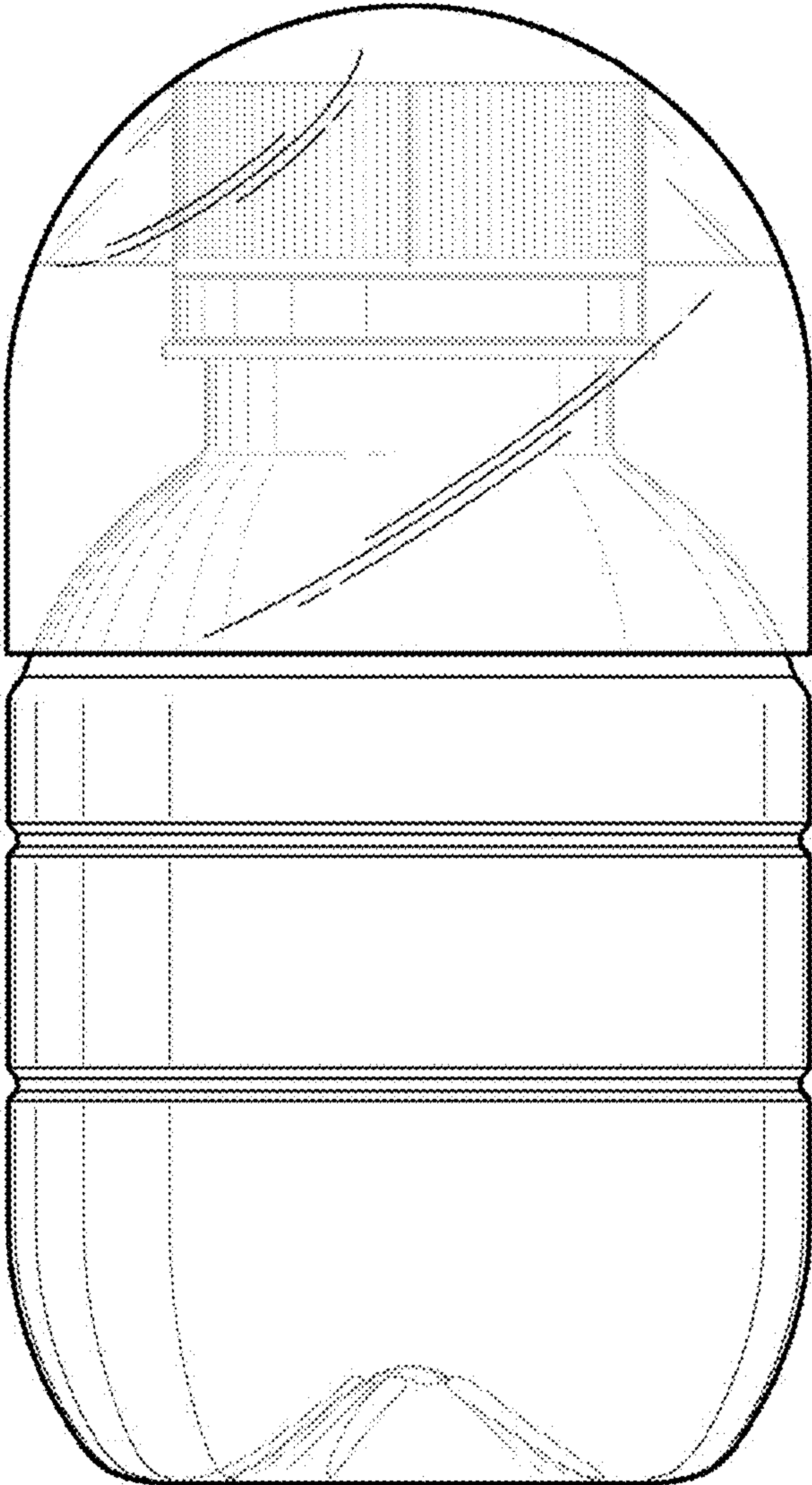


FIG. 1

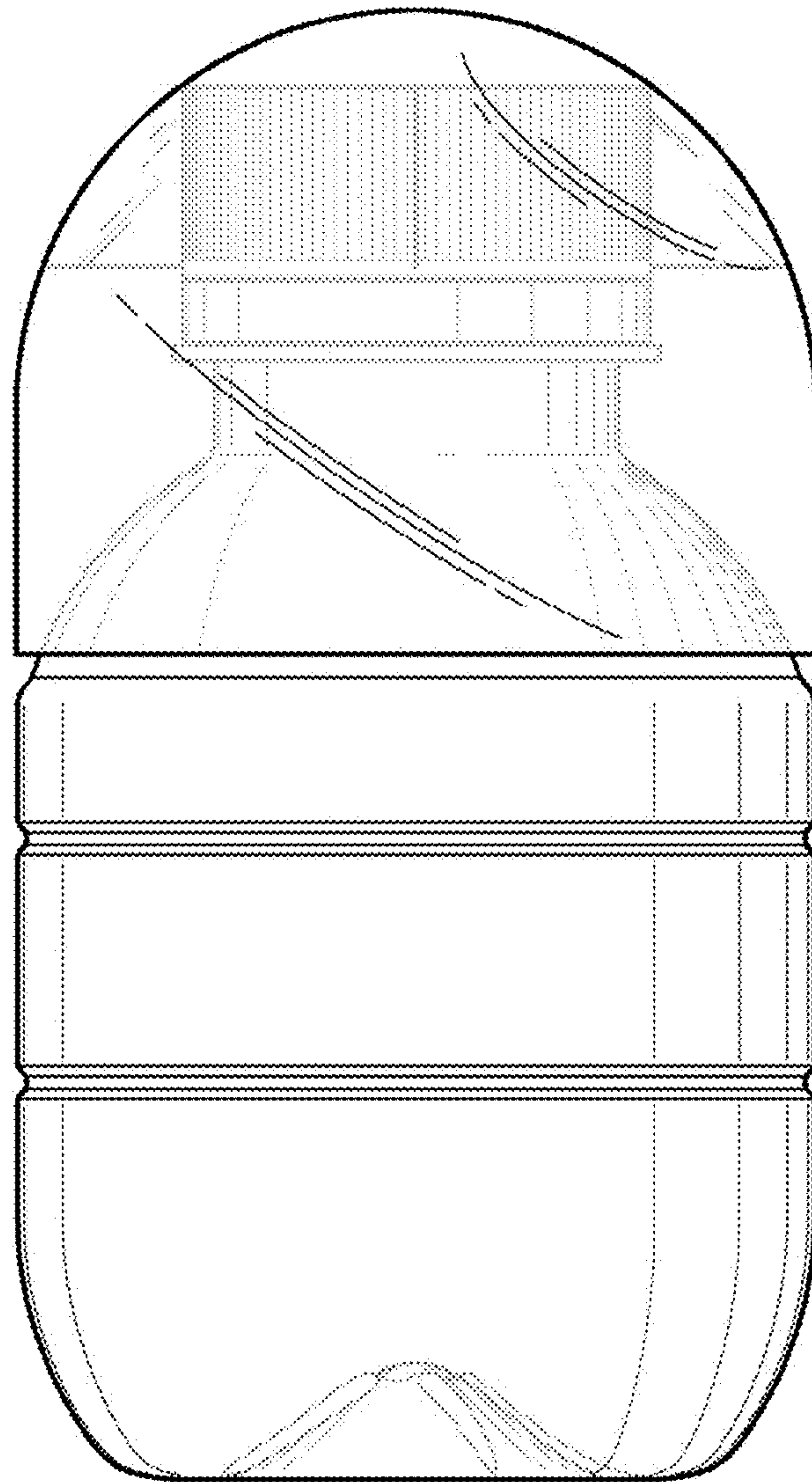


FIG. 2

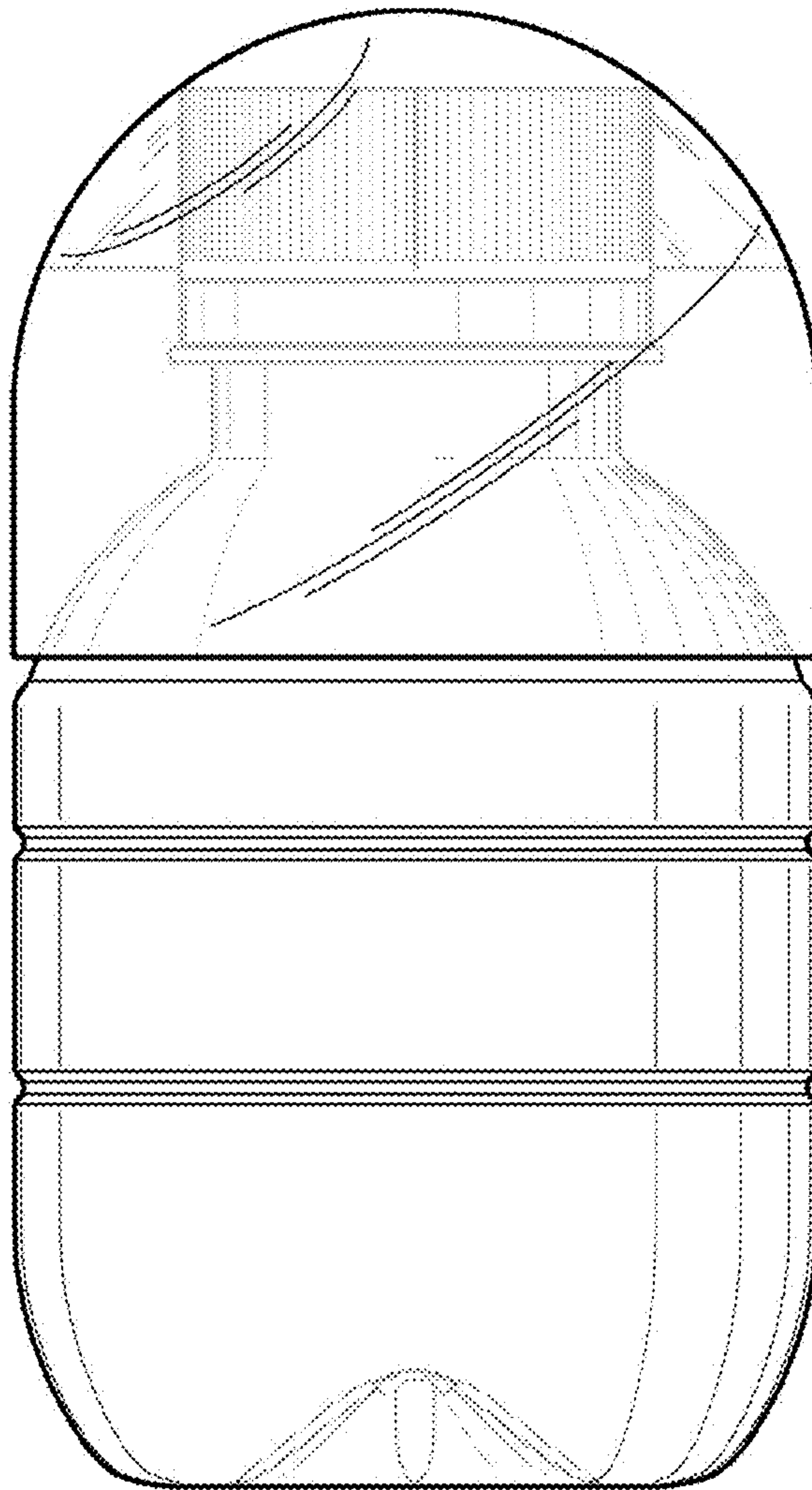


FIG. 3

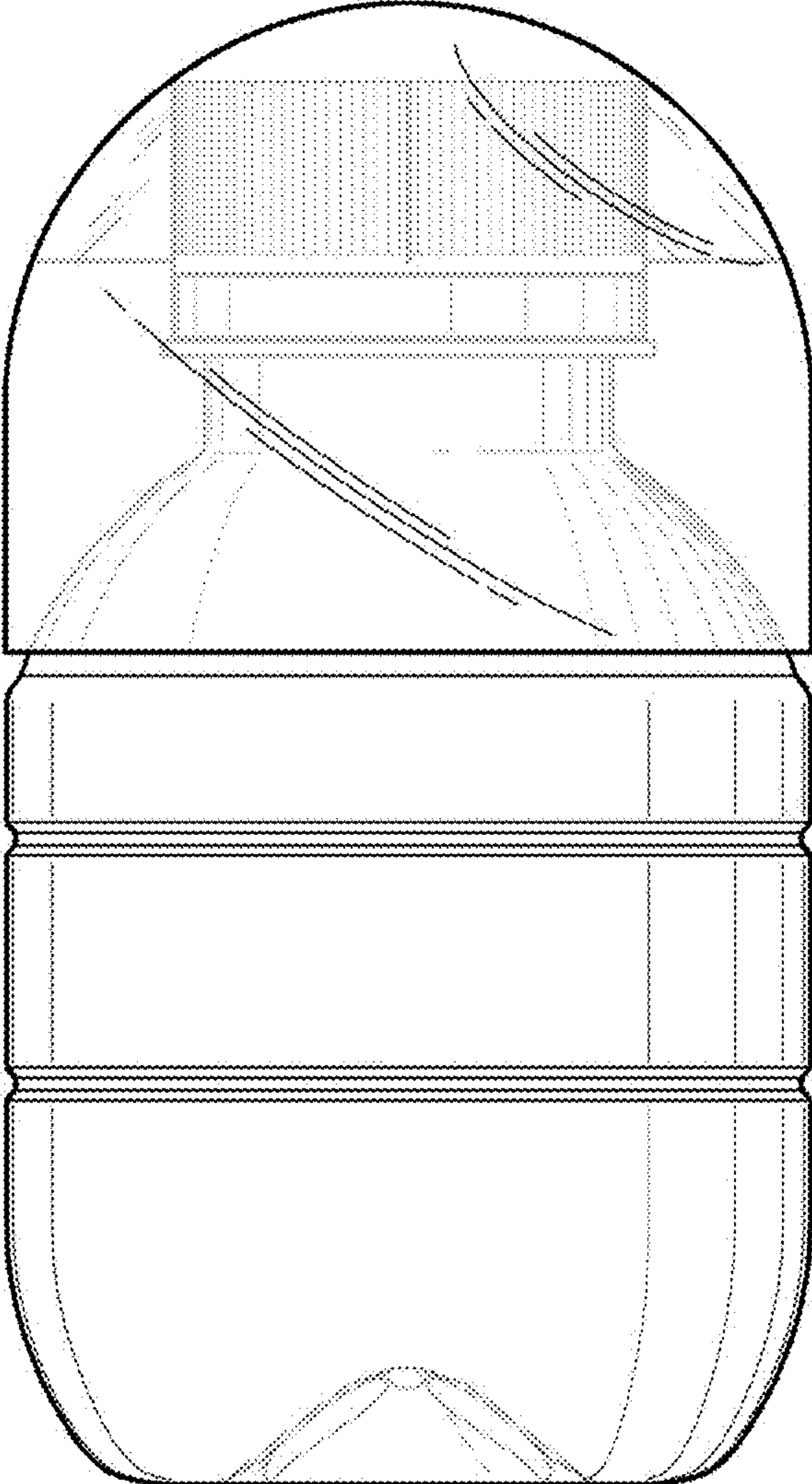


FIG. 4

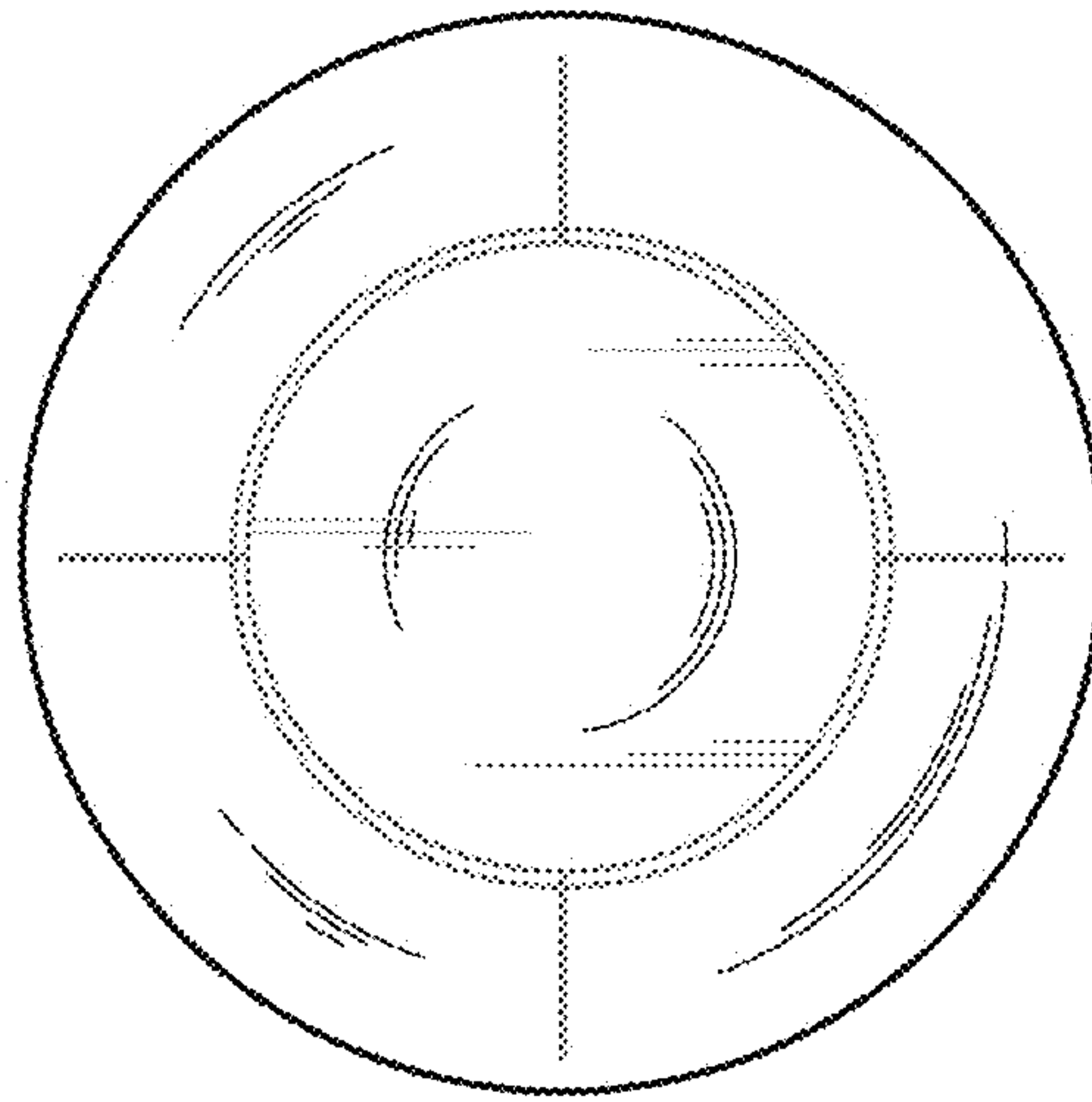


FIG. 5

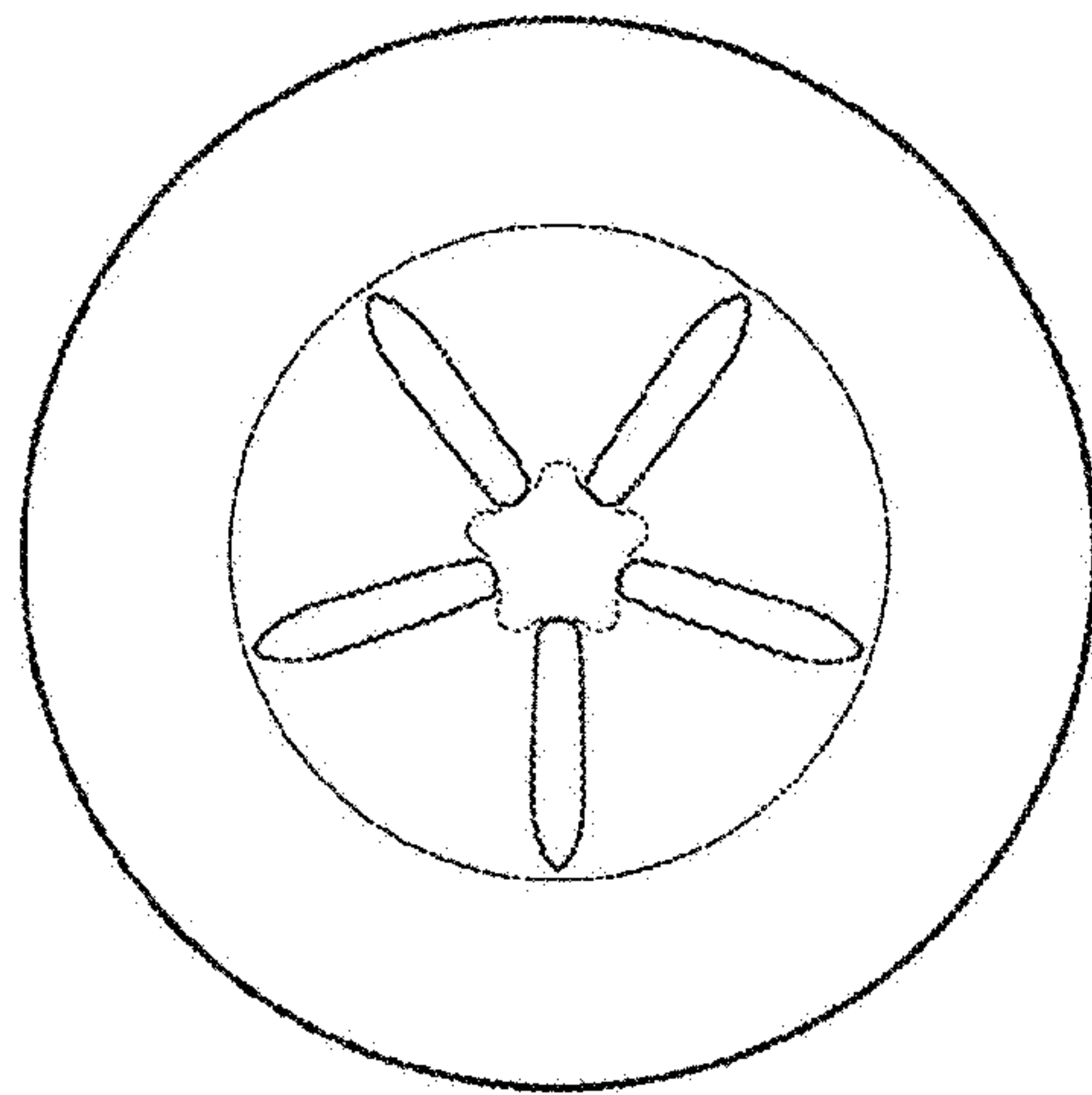


FIG. 6

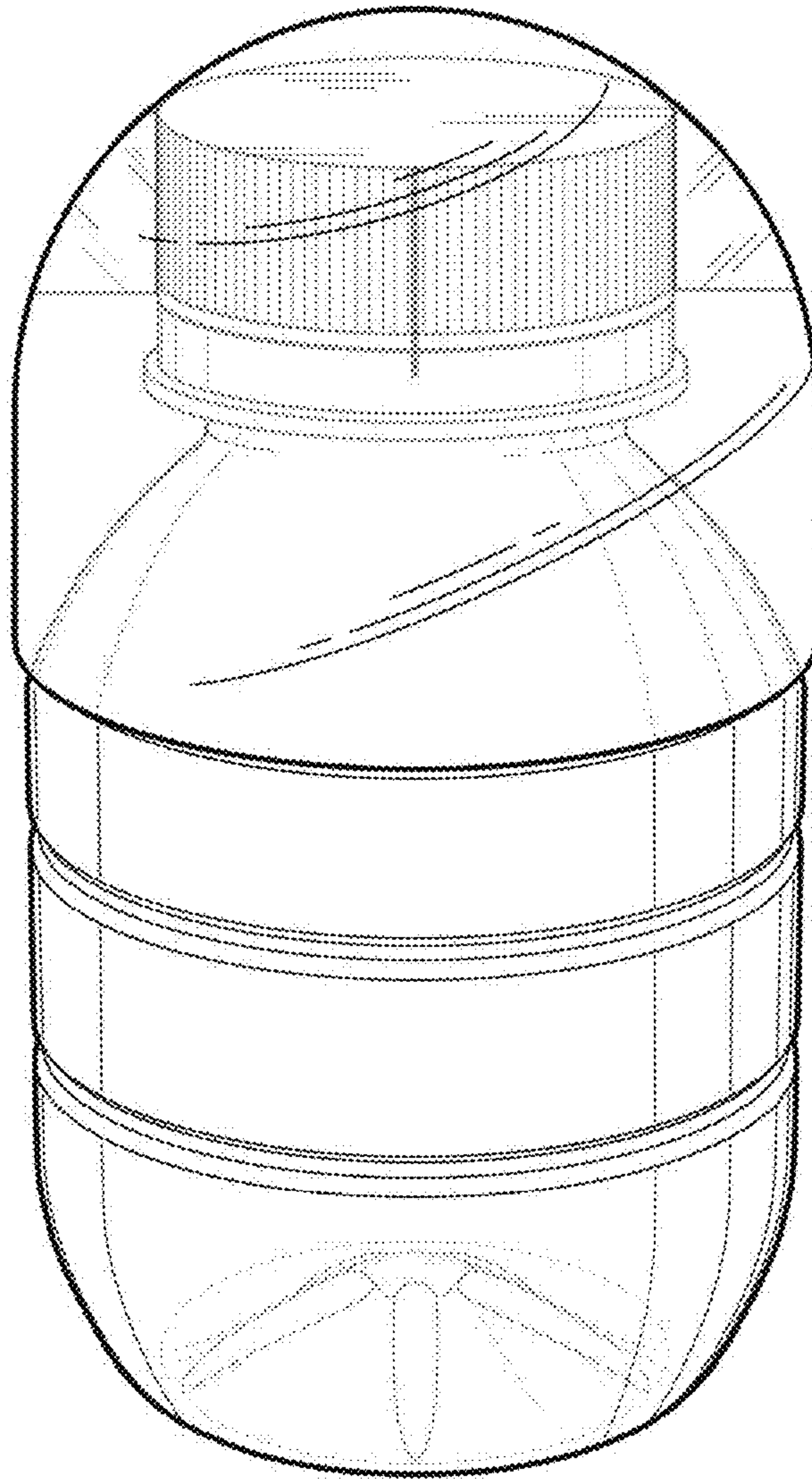


FIG. 7