



US00D832705S

(12) **United States Design Patent** (10) **Patent No.:** **US D832,705 S**
Bos et al. (45) **Date of Patent:** **** Nov. 6, 2018**

(54) **DISPENSING PUMP HEAD**
(71) Applicant: **Reckitt Benckiser (Brands) Limited**,
Slough, Berkshire (GB)
(72) Inventors: **Randy Franciscus Jozef Bos**,
Eindhoven (NL); **Arnoldus Johannus**
Claassen, Eindhoven (NL)
(73) Assignee: **RECKITT BENCKISER (BRANDS)**
LIMITED, Slough, Berkshire (GB)

D582,769 S * 12/2008 Turchi D9/448
D587,574 S * 3/2009 Cantoni D9/448
D588,454 S * 3/2009 Sweeton D9/448
D596,938 S * 7/2009 Broadbent D9/448
D601,897 S * 10/2009 Contiero D9/448
D625,187 S * 10/2010 McCay D9/448
D664,431 S * 7/2012 Wang D9/448
D685,268 S * 7/2013 Gill D9/448
D700,051 S * 2/2014 Driskell D9/448
2005/0133627 A1 * 6/2005 Hornsby B05B 15/33
239/451

(**) Term: **15 Years**

(21) Appl. No.: **29/611,488**

(22) Filed: **Jul. 21, 2017**

(30) **Foreign Application Priority Data**

Jan. 31, 2017 (EP) 003733708

(51) **LOC (11) Cl.** **09-07**

(52) **U.S. Cl.**
USPC **D9/448**

(58) **Field of Classification Search**
USPC D6/515, 530, 542-545; D7/387, 392,
D7/392.1, 397, 398, 401.1, 589, 590;
D8/14.1; D9/434-436, 439, 440, 443,
D9/447-450, 454, 499, 682, 685-691,
D9/694; D21/720; D23/208, 213, 252,
D23/255, 321; D28/76, 91.1
CPC ... B05B 11/3059; B05B 11/3001; B05B 7/32;
F04B 9/14; F04B 23/023; F23D 11/24
See application file for complete search history.

(56) **References Cited**

U.S. PATENT DOCUMENTS

D355,361 S * 2/1995 Steijns D9/448
D418,755 S * 1/2000 Durliat D9/448
D579,329 S * 10/2008 Sweeton D9/448
D582,768 S * 12/2008 Cantoni D9/448

OTHER PUBLICATIONS

Alamy. Spray Bottle of Dettol Anti Bacterial Cleaner Isolated Against a White Background. Feb. 18, 2010 [earliest online date], [site visited May 24, 2018]. Available from Internet, <URL:https://bit.ly/2s616z3>. (Year: 2010).*

* cited by examiner

Primary Examiner — Eric L Goodman
Assistant Examiner — Darcey E Heflin
(74) *Attorney, Agent, or Firm* — Norris McLaughlin & Marcus PA

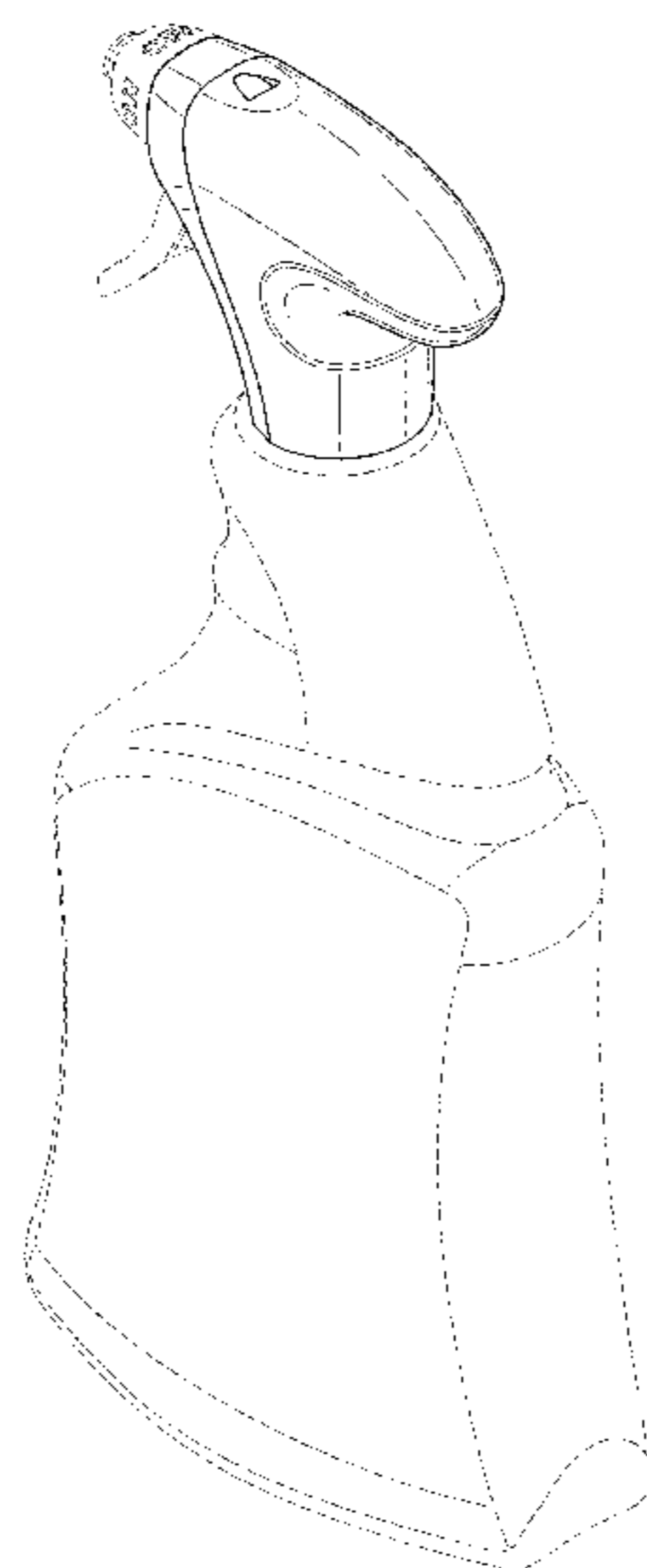
(57) **CLAIM**

The ornamental design for a dispensing pump head, as shown and described.

DESCRIPTION

FIGS. 1-7 depict the dispensing pump head;
FIG. 1 is a front and side perspective view thereof;
FIG. 2 is a left side elevational view thereof;
FIG. 3 is a right side elevational view thereof;
FIG. 4 is a front side elevational view thereof;
FIG. 5 is a rear side elevational view thereof;
FIG. 6 is a top plan view thereof; and,
FIG. 7 is a bottom plan view thereof.
The portions of the depicted design indicated in broken lines form no part of the claimed design.

1 Claim, 5 Drawing Sheets



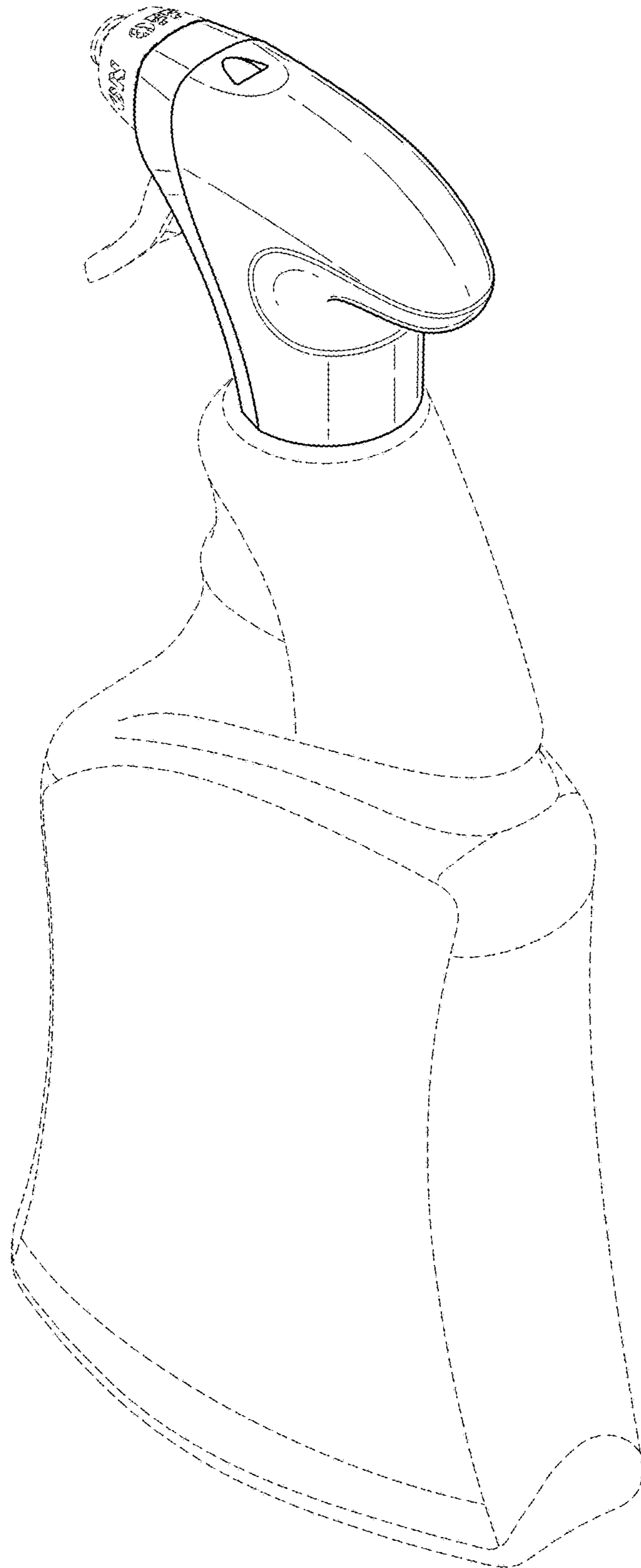


Fig. 1

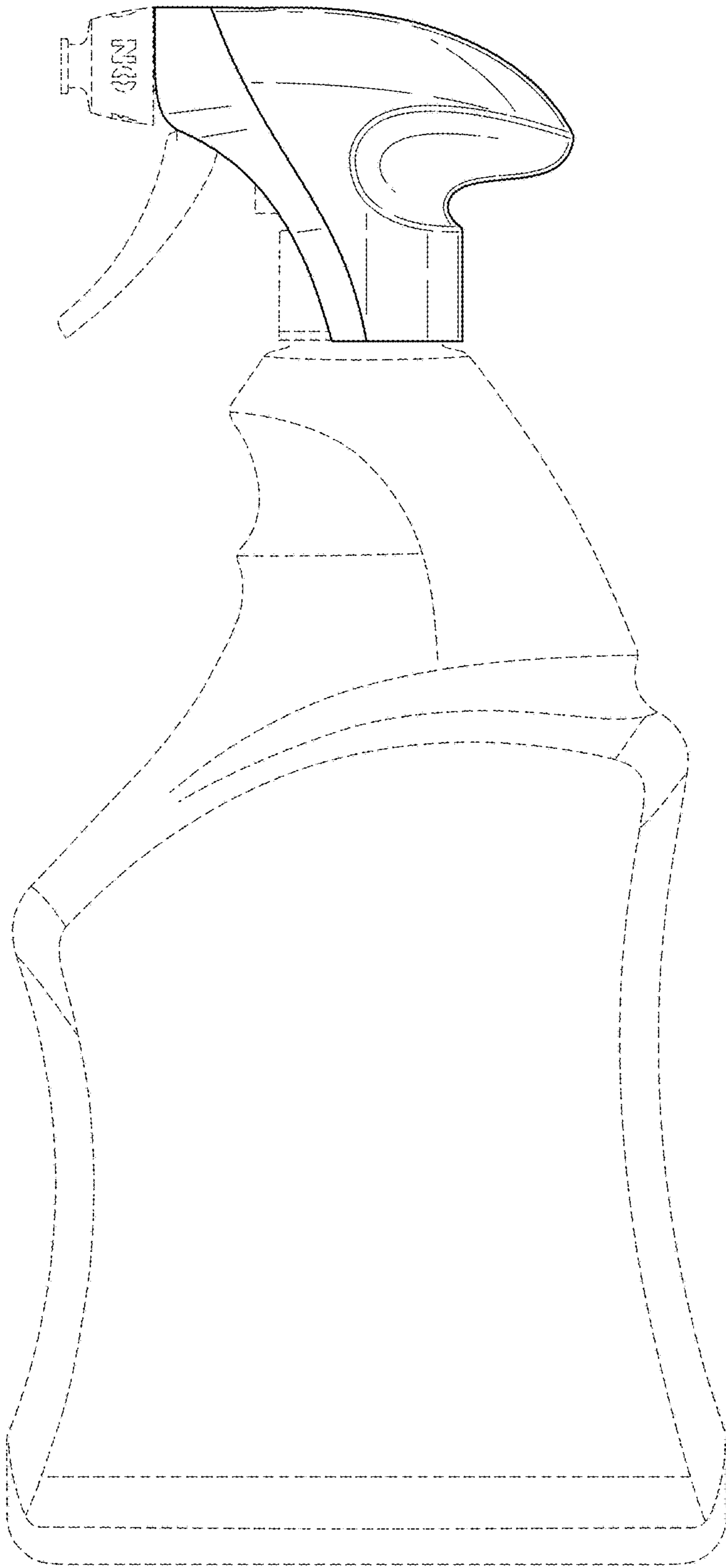


Fig. 2

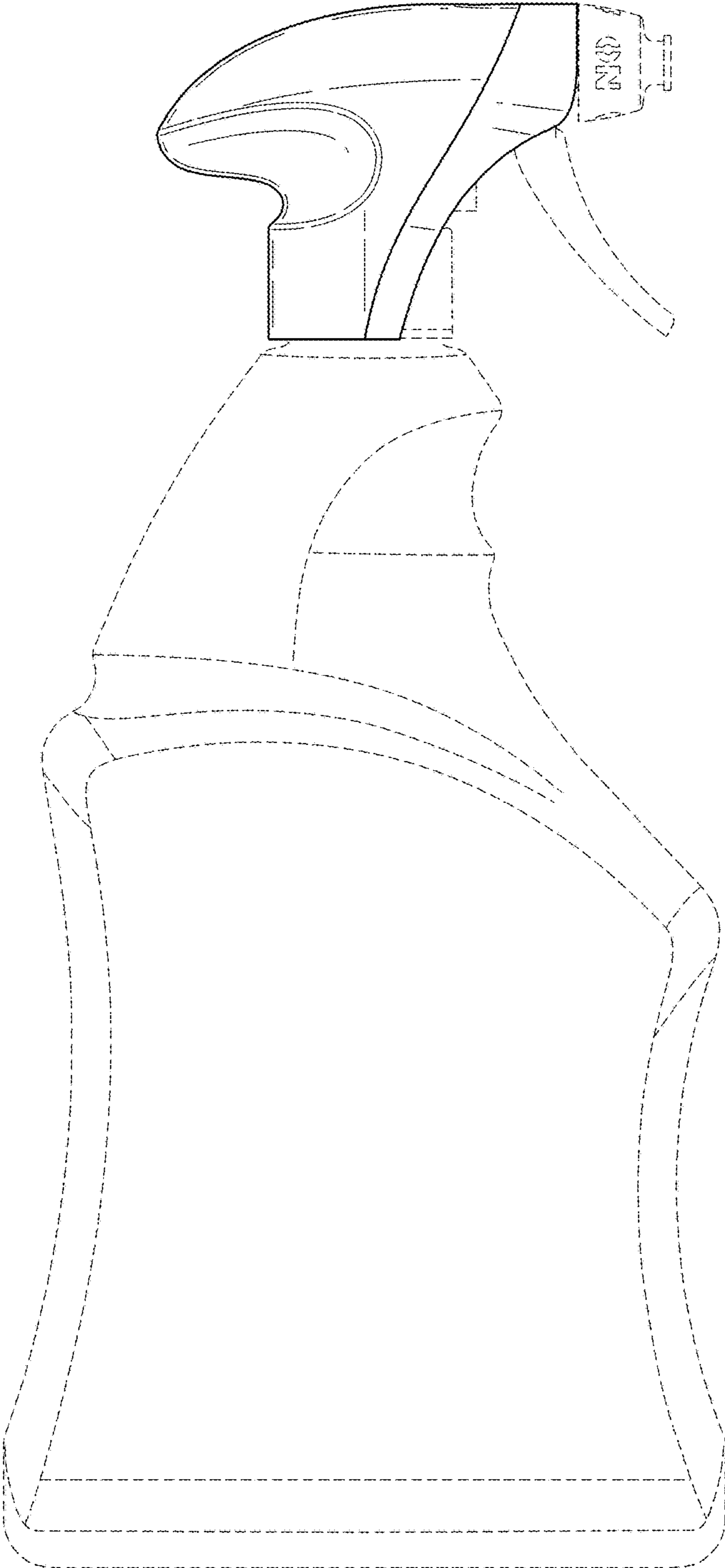


Fig. 3

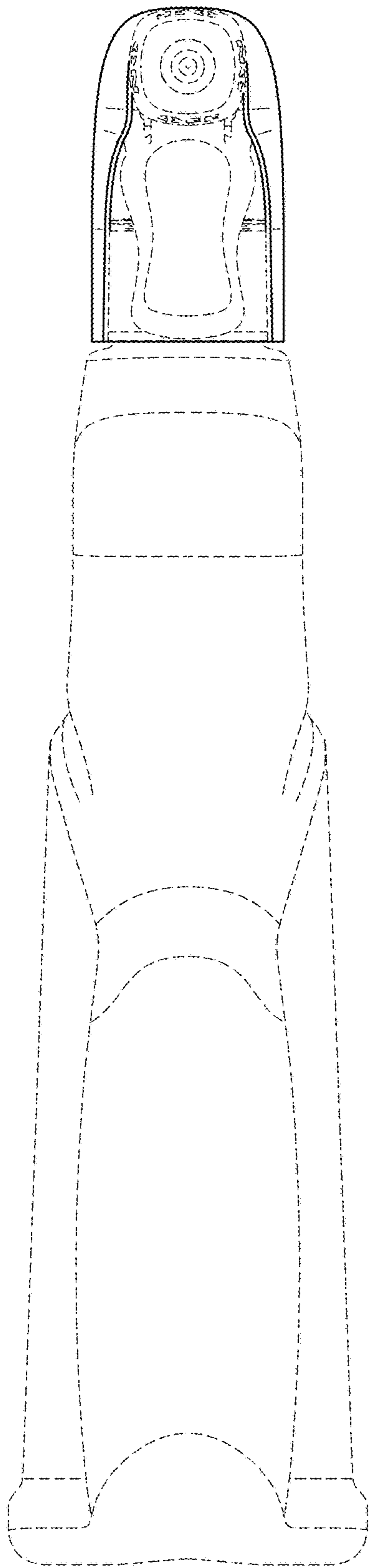


Fig. 4

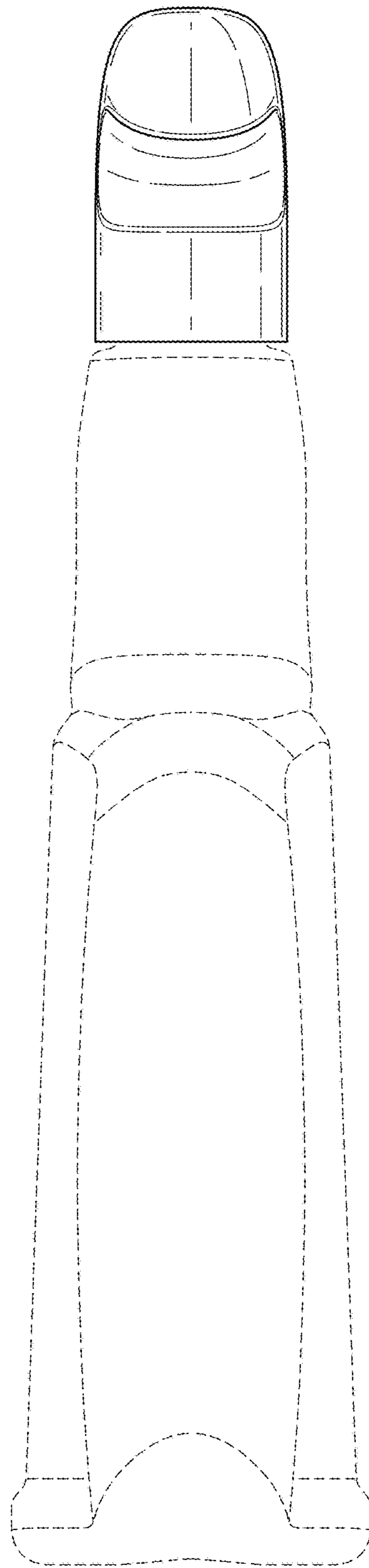


Fig. 5

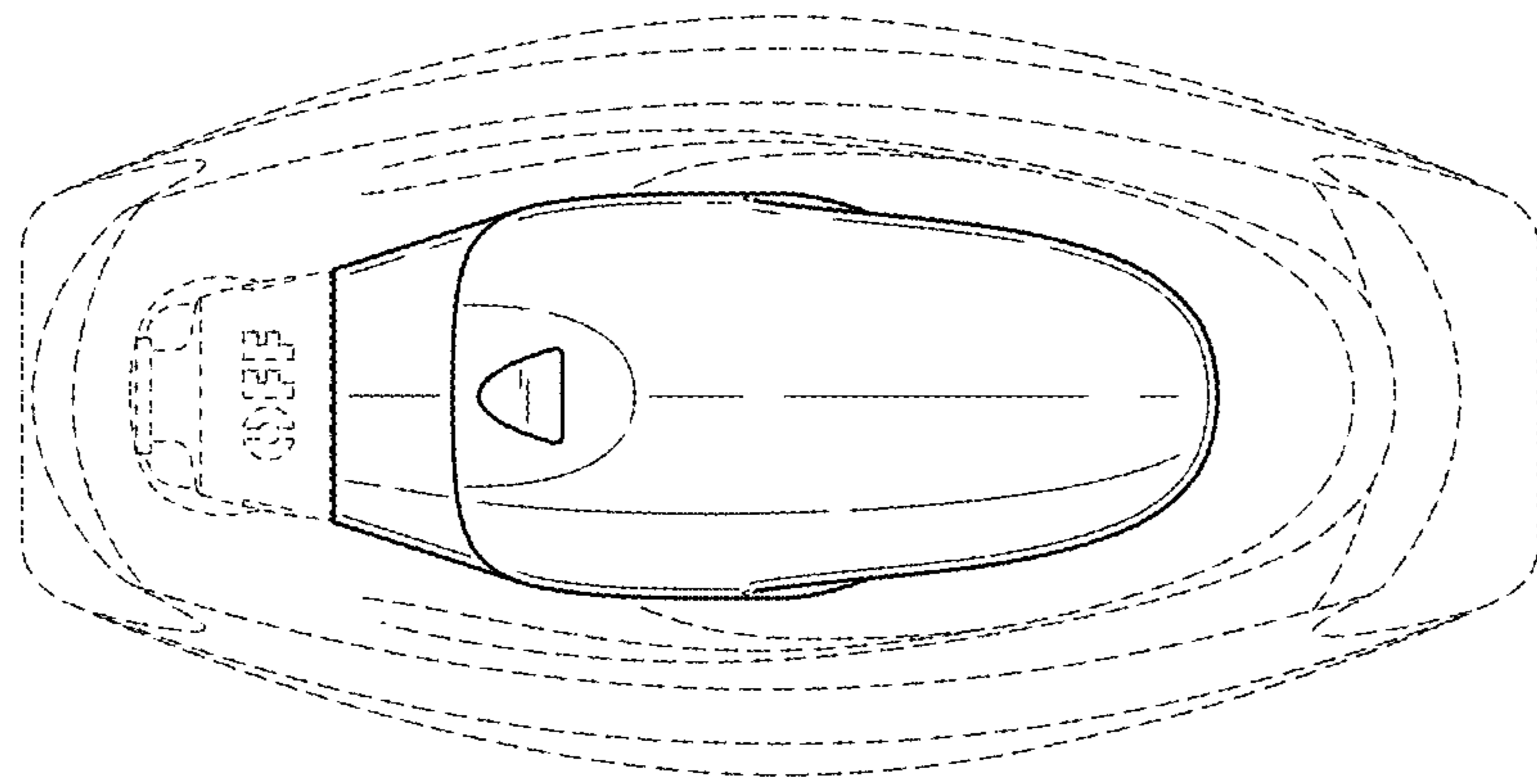


Fig. 6

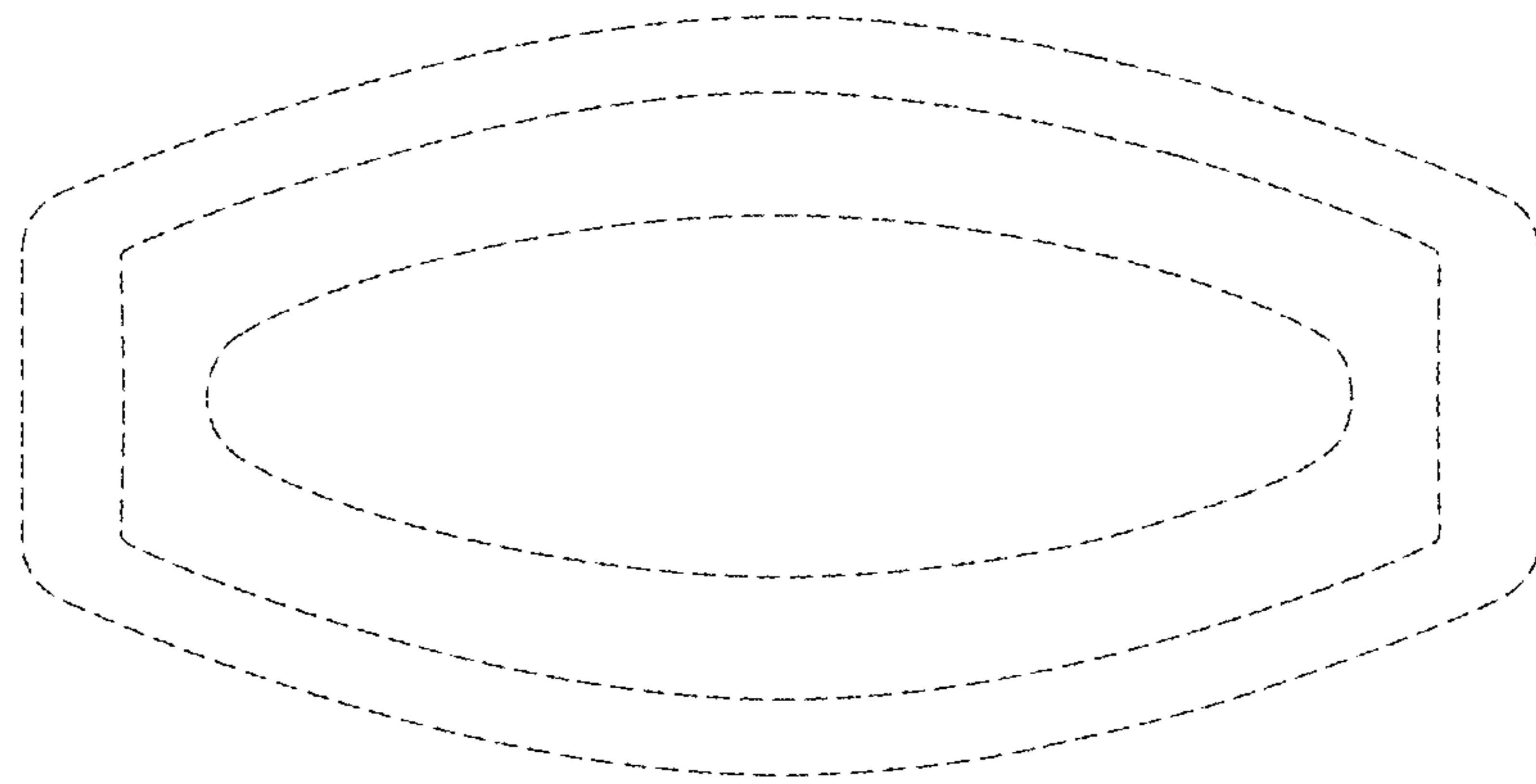


Fig. 7