



US00D832704S

(12) **United States Design Patent** (10) **Patent No.:** **US D832,704 S**
Seiders et al. (45) **Date of Patent:** **** Nov. 6, 2018**

(54) **LID**
(71) Applicant: **YETI Coolers, LLC**, Austin, TX (US)
(72) Inventors: **Roy Joseph Seiders**, Austin, TX (US);
John Alan Tolman, Austin, TX (US);
Steve Charles Nichols, Austin, TX (US)

3,089,603 A 5/1963 Leslie-Smith
3,239,090 A 3/1966 Bramming
3,307,752 A * 3/1967 Anderson B65D 23/108
215/306
D224,646 S 8/1972 Vollquartz
3,752,347 A 8/1973 Bell
(Continued)

(73) Assignee: **YETI Coolers, LLC**, Austin, TX (US)
(**) Term: **15 Years**

FOREIGN PATENT DOCUMENTS
CN 301110494 1/2010
CN 303528321 12/2015
(Continued)

(21) Appl. No.: **29/621,529**
(22) Filed: **Oct. 9, 2017**

OTHER PUBLICATIONS

“Yeti Rambler Vacuum Insulated Stainless Steel One Gallon Jug with MagCap”. Found online Jun. 12, 2017 at amazon.com. Page dated May 30, 2017. Retrieved from <https://www.amazon.com/YETI-Rambler-Vacuum-Insulated-Stainless/dp/B071HTJ4Q8>.
(Continued)

Related U.S. Application Data

(63) Continuation of application No. 29/546,309, filed on Nov. 20, 2015, now Pat. No. Des. 802,419.
(51) **LOC (11) Cl.** **09-07**
(52) **U.S. Cl.**
USPC **D9/447**; D7/392.1
(58) **Field of Classification Search**
USPC D7/391, 392, 392.1, 396.1, 396.2, 397,
D7/398, 509, 510, 511, 543; D9/435,
D9/436, 438, 447, 449, 450
CPC B65D 47/122; B65D 41/04; B65D
2543/0092
See application file for complete search history.

Primary Examiner — George D. Kirschbaum
Assistant Examiner — Kendra Leslie Hamilton
(74) *Attorney, Agent, or Firm* — Banner & Witcoff, Ltd.

(57) **CLAIM**

The ornamental design for a LID, as shown and described.

DESCRIPTION

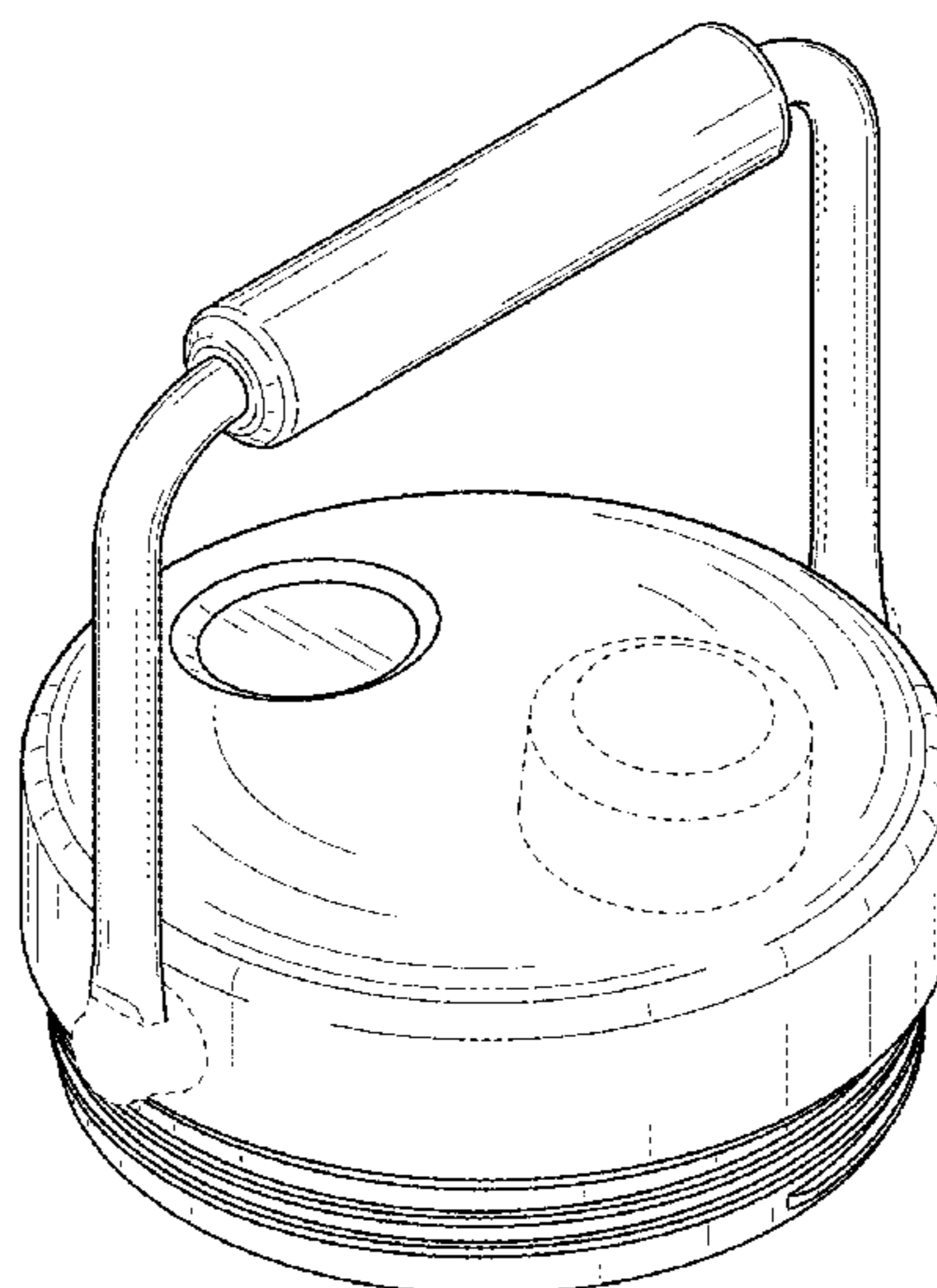
FIG. 1 is a top, front, left perspective view of a lid showing our new design;
FIG. 2 is a front view thereof;
FIG. 3 is a rear view thereof;
FIG. 4 is a right side view thereof;
FIG. 5 is a left side view thereof; and,
FIG. 6 is a top view thereof.
In the drawings, the broken lines depict portions of the lid that form no part of the claimed design.

(56) **References Cited**

U.S. PATENT DOCUMENTS

1,477,936 A 12/1923 Bott
D109,331 S 4/1938 McManus et al.
D154,378 S 7/1949 Fuller
D177,761 S 5/1956 Reinhardt
2,881,776 A * 4/1959 Wrage B44D 3/006
134/156
2,957,596 A 10/1960 Rehborg
2,963,187 A 12/1960 Bramming

1 Claim, 4 Drawing Sheets



(56)

References Cited

U.S. PATENT DOCUMENTS

D235,303 S	6/1975	Boucher	D626,416 S	11/2010	Cresswell et al.
D248,373 S	7/1978	Allen	D627,601 S	11/2010	Eyal
D256,651 S	9/1980	Leung et al.	D627,602 S	11/2010	Eyal
D279,346 S	6/1985	Ruxton	D627,604 S	11/2010	Eyal
D281,567 S	12/1985	Zimmermann	D628,018 S	11/2010	Gilbert
D286,604 S	11/1986	Bierlein et al.	D628,486 S	12/2010	Lane
D286,847 S	11/1986	Zimmermann	D629,689 S	12/2010	Cresswell et al.
D287,211 S	12/1986	Weiss	D629,690 S	12/2010	Cresswell et al.
D321,628 S	11/1991	Kobayashi et al.	D629,691 S	12/2010	Cresswell et al.
D332,379 S	1/1993	Murphy	D630,474 S	1/2011	Gilbert
5,211,299 A	5/1993	Manfredonia	D630,475 S	1/2011	Lu
5,232,112 A	8/1993	Howard	D631,666 S	2/2011	Lim et al.
D354,915 S	1/1995	Schneider et al.	D633,338 S	3/2011	Rosbach et al.
D368,224 S	3/1996	Arndt	D633,794 S	3/2011	Cresswell et al.
D384,280 S	9/1997	Kuczer	D633,795 S	3/2011	Cresswell et al.
D398,193 S	9/1998	Sanchez	D633,796 S	3/2011	Cresswell et al.
5,813,557 A	9/1998	Oratz	D633,797 S	3/2011	Cresswell et al.
D405,650 S	2/1999	Meier	D634,160 S	3/2011	Cetera
D415,395 S	10/1999	Hunt et al.	D635,457 S	4/2011	Lane
D422,916 S	4/2000	Herrmann	D635,856 S	4/2011	Lauret
6,264,072 B1	7/2001	Johannes	D638,695 S	5/2011	Woodrow et al.
6,332,557 B1	12/2001	Moran	D638,708 S	5/2011	Walsh
D456,669 S	5/2002	Munari	D639,164 S	6/2011	Walsh
D458,133 S	6/2002	Berish et al.	D639,661 S	6/2011	Llerena
D458,134 S	6/2002	Berish et al.	D639,663 S	6/2011	Llerena
D466,814 S	12/2002	Hurlburt	D641,591 S	7/2011	Tsukida
D479,800 S	9/2003	McRae	D643,693 S	8/2011	Jama
D482,607 S	11/2003	McRae	D648,984 S	11/2011	Gullickson et al.
D494,425 S	8/2004	Segura	D651,847 S	1/2012	Gilbert
D511,457 S *	11/2005	Biesecker D9/443	D652,255 S	1/2012	Carland
D524,909 S	7/2006	Bakke et al.	D652,682 S	1/2012	Eyal
D525,518 S	7/2006	Baldwin	D654,762 S	2/2012	Gilbert
D530,141 S	10/2006	Wilgus et al.	D655,134 S	3/2012	Gilbert
D536,929 S	2/2007	Kingsley	D655,581 S	3/2012	Kotani
7,172,101 B2	2/2007	Find	D657,196 S	4/2012	Beyers, III
D548,082 S	8/2007	Kingsley	D658,064 S	4/2012	Barnes et al.
D549,444 S	8/2007	Schnackenberg	D658,445 S	5/2012	Carreno
7,270,244 B1	9/2007	Liu	D659,007 S	5/2012	Pape
D553,914 S	10/2007	Wahl	D660,084 S	5/2012	Gilbert
D554,000 S	10/2007	Walsh	D662,360 S	6/2012	George
D564,363 S	3/2008	Rhea	8,210,572 B2	7/2012	Davis
D572,585 S	7/2008	Perrin et al.	8,215,511 B1	7/2012	Lin
D574,237 S	8/2008	Yates, III	D664,809 S	8/2012	Eyal
D584,623 S	1/2009	Chupak	D665,621 S	8/2012	Eyal
D586,183 S	2/2009	Junket	8,245,600 B2	8/2012	Beard
D587,533 S	3/2009	Carreno	D668,913 S	10/2012	Mayer
D601,436 S	10/2009	Stephens et al.	D671,372 S	11/2012	Zou
D603,331 S	11/2009	Schupp	D672,238 S	12/2012	Aziz et al.
D603,722 S	11/2009	Reimer	D672,609 S	12/2012	Aziz et al.
D604,181 S	11/2009	Reimer	D675,100 S	1/2013	Herbst
D604,561 S	11/2009	Chisholm	D676,764 S	2/2013	Moore et al.
D605,040 S	12/2009	Fry et al.	D678,729 S	3/2013	Peeters et al.
D605,060 S	12/2009	Reimer	D678,772 S	3/2013	Johnson et al.
D610,871 S	3/2010	Alviar et al.	D680,389 S	4/2013	Zemel et al.
D611,346 S	3/2010	Camomile	8,443,993 B1	5/2013	Desselle
D612,235 S	3/2010	Cresswell et al.	8,443,994 B1	5/2013	Desselle
D614,918 S	5/2010	Chisholm	D684,059 S	6/2013	Johnson et al.
D615,360 S	5/2010	Joy et al.	D686,078 S	7/2013	Johnson et al.
D615,361 S	5/2010	Goble	D688,093 S	8/2013	Roth et al.
D615,816 S	5/2010	Joy et al.	8,505,787 B2	8/2013	Fox et al.
D616,703 S	6/2010	Joy et al.	D690,987 S	10/2013	Gallen
D616,743 S	6/2010	Cresswell et al.	8,550,269 B2 *	10/2013	Lane B65D 47/066 215/229
D616,744 S	6/2010	Cresswell et al.	D693,698 S	11/2013	Miller, Jr.
D619,457 S	7/2010	Walsh	D695,138 S	12/2013	Ball
D619,458 S	7/2010	Walsh	8,613,369 B2	12/2013	Kitto
D619,459 S	7/2010	Walsh	D696,945 S	1/2014	Newman
D620,798 S	8/2010	Cresswell et al.	D697,404 S	1/2014	Johnson et al.
D621,257 S	8/2010	Gullickson et al.	D697,802 S	1/2014	Lane
D621,258 S	8/2010	Gullickson et al.	D698,668 S	2/2014	Vaughn
D622,089 S	8/2010	Daniel et al.	D701,464 S	3/2014	Ogata et al.
D622,145 S	8/2010	Walsh	D702,092 S	4/2014	Mettler et al.
D623,475 S	9/2010	Aarnoudse et al.	D702,506 S	4/2014	Mettler et al.
D623,480 S	9/2010	Moran	8,701,881 B2	4/2014	Gibson et al.
D625,560 S	10/2010	Olson et al.	8,701,924 B2	4/2014	Dalbec
D626,414 S	11/2010	Cresswell et al.	D708,954 S	7/2014	Barnes et al.
			D709,734 S	7/2014	Kotani
			D712,254 S	9/2014	Geis et al.
			D712,255 S	9/2014	Geis et al.

(56)

References Cited

U.S. PATENT DOCUMENTS

D713,268 S	9/2014	Jones et al.	
D713,365 S	9/2014	Green	
D717,102 S	11/2014	Taketani et al.	
D717,601 S *	11/2014	Dixon	D7/510
8,905,252 B2	12/2014	Latham et al.	
D724,385 S	3/2015	Hurley et al.	
D728,315 S	5/2015	Bo	
D728,995 S	5/2015	Barberi	
D729,579 S	5/2015	Molayem	
D729,584 S	5/2015	Weston et al.	
D732,402 S	6/2015	Jones et al.	
D734,154 S	7/2015	Johnson et al.	
D735,578 S	8/2015	Mazurkiewicz et al.	
D741,655 S	10/2015	Whelan et al.	
D743,742 S	11/2015	Rummel et al.	
D744,781 S	12/2015	Rummel et al.	
9,272,822 B2 *	3/2016	Samartgis	B65D 47/12
D754,472 S	4/2016	Munari	
D755,561 S	5/2016	Eyal	
D758,790 S	6/2016	Boroski	
D758,791 S	6/2016	Hanna et al.	
D758,859 S *	6/2016	Sorensen	D9/443
D762,418 S	8/2016	Sorensen et al.	
D763,076 S	8/2016	Lane et al.	
D764,916 S *	8/2016	Mount, III	D9/443
D786,012 S *	5/2017	Hein	D7/396.2
D787,893 S	5/2017	Seiders et al.	
D795,008 S *	8/2017	Eyal	D7/392.1
D802,994 S *	11/2017	Seiders	D7/392.1
D814,852 S *	4/2018	Melanson	D7/378
D818,775 S *	5/2018	Woodruff	D7/510
2010/0089151 A1	4/2010	Mantilla et al.	
2011/0186585 A1	8/2011	Lu	
2012/0199548 A1	8/2012	Kitto	
2014/0069917 A1	3/2014	Meyers et al.	
2014/0251938 A1	9/2014	Rose et al.	
2014/0353275 A1	12/2014	Hung	
2015/0191293 A1	7/2015	Forcella	
2015/0251812 A1	9/2015	Gillie	
2015/0314929 A1	11/2015	Tebbe et al.	
2016/0176587 A1	6/2016	Heraud	
2016/0318693 A1	11/2016	Hein et al.	

FOREIGN PATENT DOCUMENTS

FR	2786465	6/2000
JP	2001315831 A	11/2001
JP	1363566	6/2009
JP	1530358	8/2015
KR	300295354	4/2002
KR	300303813.0000	8/2002
KR	300751936.0000	7/2014
KR	300764889.0000	10/2014
WO	2005028317 A2	3/2005
WO	2006023238 A2	3/2006
WO	D088688-002	1/2016

OTHER PUBLICATIONS

“Klean Kanteen Stainless Unibody Bamboo Cap”. Found online Jun. 12, 2017 at amazon.com. Page dated Sep. 10, 2012. Retrieved from https://www.amazon.com/Klean-Kanteen-Stainless-Unibody-Bamboo/dp/B0083F0SDI/ref=cm_cr_ar_p_d_product_top?ie=UTF8.*

Takeya ThermoFlask. Found online Jun. 9, 2017 at amazon.com. Page dated Apr. 15, 2016. Retrieved from https://www.amazon.com/Takeya-ThermoFlask-Pack-Black-Silver/dp/B01D7NIOWW/ref=cm_cr_ar_p_d_product_top?ie=UTF8.*

“Twitter: h2go elevate and h2go inspire: same lid style, different body type”. Found online Jun. 12, 2017 at twitter.com. Page dated Jan. 21, 2015. Retrieved from <https://twitter.com/etsexpress/status/557997114589196288>.*

Liquid Hardware, Insulated Aqua Silver Sidewinder Vacuum Bottle 20oz./592ml. Powder Coated in USA!, product description, retrieved from internet on Aug. 12, 2015, 3 pages.

Nov. 2, 2016—(WO) International Search Report and Written Opinion—App. No. PCT/US2016/047043—12 pages.

Oct. 8, 2016—(JP) Office Action—APP. 2016-010799, English Translation, 3 Pages.

Oct. 18, 2016—(JP) Office Action—APP. 2016-010800, English Translation, 3 Pages.

Yeti 36 oz. Rambler: Announced Jan. 11, 2016 [online], site visited [May 10, 2016]. Available from Internet URL: <http://yeticoolers.com/rambler-bottle-36-oz/>.

KOLD Vacuum Insulated Stainless Steel Sports Bottle: Announced Dec. 8, 2015 [online], site visited [May 11, 2016]. Available from Internet URL: <http://www.amazon.com/KOLD-Sports-Water-Bottles-Insulated/dp/B018YH K79E/ ref=cm>.

“Hydro Flask Insulated Stainless Steel Water Bottle” published on Dec. 29, 2014, retrieved from http://web.archive.org/web/*/https://www.amazon.com/dp/B004X55L9I/ref=twister_B00GA03LG4?_encoding=UTF8&psc=1 on Sep. 22, 2016.

“UA Beyond 18 oz. Vacuum Insulated Water Bottle” published on Mar. 29, 2015, retrieved from http://web.archive.org/web/*/https://www.underarmour.com/en-us/beyond-18-oz-vacuum-insulated-ss-bottle-with-flip-top-lid/pid1232014 on Sep. 22, 2016.

“Klean Kanteen Insulated Classic with Polypropylene” published on Jul. 7, 2015, retrieved from http://web.archive.org/web/*/https://www.lifewithoutplastic.com/store/klean-kanteen-insulated-classic-with-polypropylene-loop-cap-0-95-1-32-oz.html on Sep. 22, 2016.

“Eco Vessel 64 ounce Growler” published on Jan. 28, 2015, retrieved from http://web.archive.org/web/*/http://www.snewsnet.com/press-release/eco-vessel-launches-the-boss-insulated-growler/ on Sep. 22, 2016.

“64 oz Double-Wall Vacuum-Insulated Growler” published on Nov. 14, 2014, retrieved from https://web.archive.org/web/*/http://www.fiftyfiftybottles.com/64oz-growler/ on Sep. 22, 2016.

“2015 Boulder Insulated Water Bottle with Tea, Fruit, Ice Strainer” published on Jun. 28, 2015, retrieved from http://web.archive.org/web/*/http://www.ecovessel.com/boulder-insulated-water-bottle-with-tea-fruit-ice-strainer-20-oz/ on Sep. 22.

“KB8 20 oz. Double Wall Stainless Bottle,” published on May 22, 2015, retrieved from <https://web.archive.org/web/20150807054814/http://thermo-steel.com/work/keen-kb8> on Sep. 27, 2016.

Nov. 1, 2016—(JP) Office Action—APP. 2016-9606, English Translation, 2 Pages.

Oct. 4, 2016—(JP) Office Action—APP 2016-9607, English Translation, 2 pages.

Oct. 4, 2016—(JP) Office Action—APP. 2016-9608, English Translation, 2 Pages.

“First Look: Yeti Rambler One Gallon ‘Jug’ Review”. Found online Jun. 12, 2017 at gearjunkie.com. Page dated May 2, 2017. Retrieved from <https://gearjunkie.com/yeti-rambler-one-gallon-jug-review>.

“Lifefactory Water Bottle with Flip Cap”. Found online Oct. 26, 2016 at amazon.com. Page dated Jan. 21, 2012. Retrieved from https://www.amazon.com/Lifefactory-22-Ounce-BPA-Free-Bottle-Silicone/dp/B01JIHJYOI/ref=pd_day0_79_22?_encoding=UTF8&refRID=YW47QZQ73YFSYXXEHXG2.

“Igloo Sport Beverage Cooler”. Found online Jun. 7, 2017 at amazon.com. Page dated Mar. 9, 2013. Retrieved from https://www.amazon.com/Igloo-Beverage-Cooler-Majestic-2-Gallon/dp/B0088AYPOG/ref=cm_cr_ar_p_d_product_top?ie=UTF8.

“Klear Loop Cap Hangle Lids for Klear Bottle and Hydro Flask”. Found online Jun. 7, 2017 at amazon.com. Page dated Jul. 4, 2016. Retrieved from https://www.amazon.com/Klear-Handle-Bottle-Hydro-Flask/dp/B01EXKSRLQ/ref=cm_cr_ar_p_d_product_top?ie=UTF8.

* cited by examiner

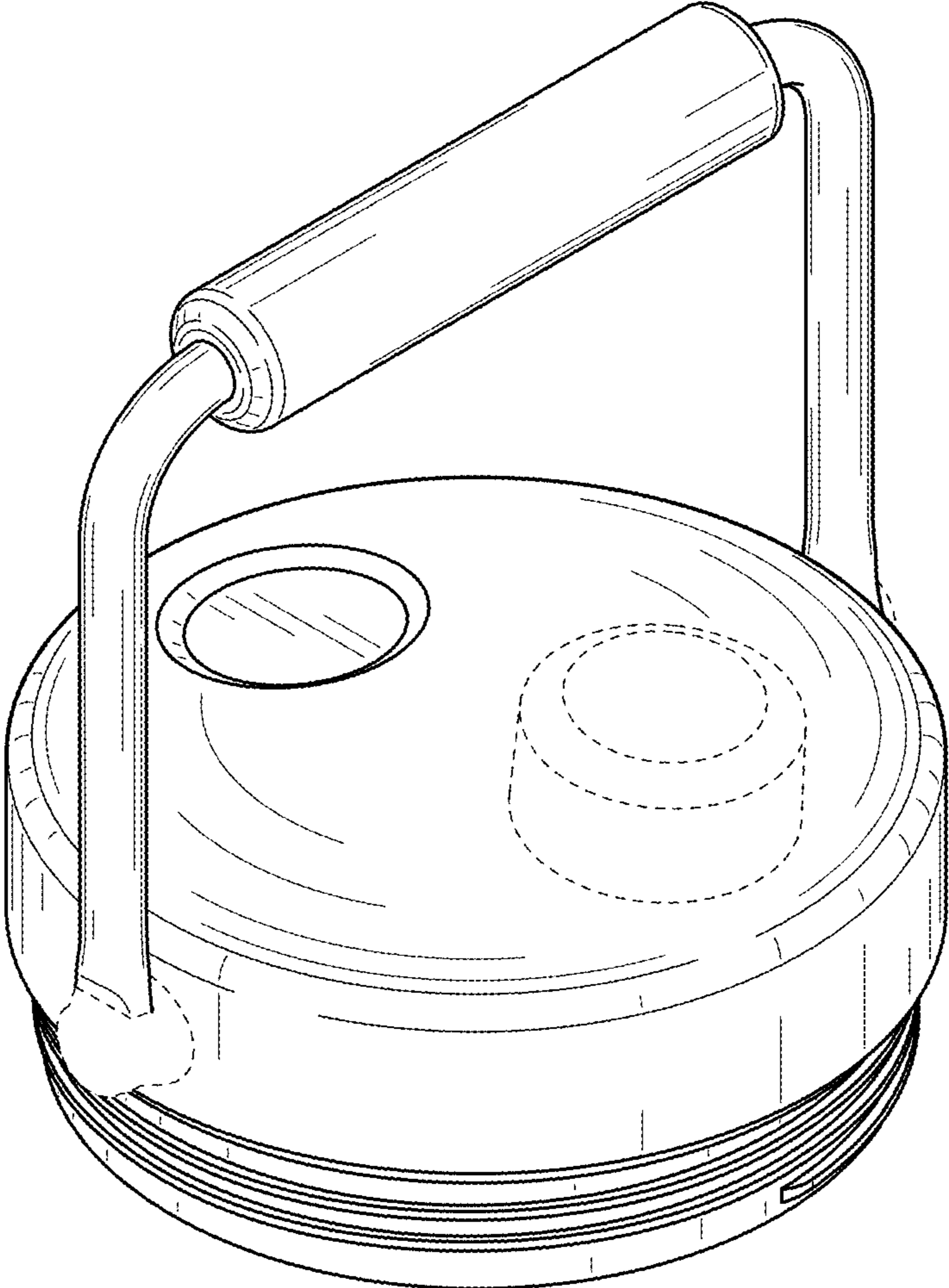


FIG. 1

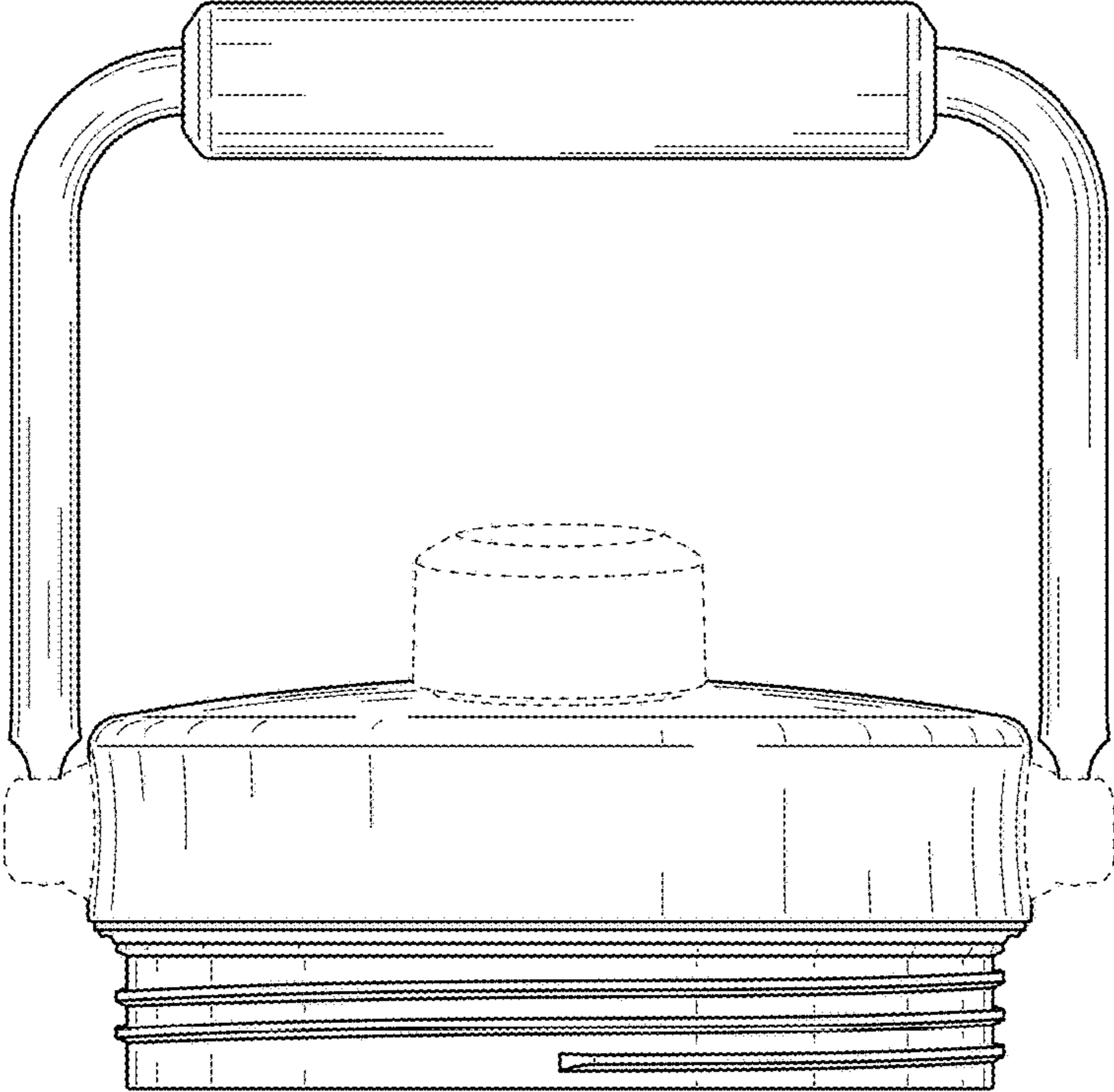


FIG. 2

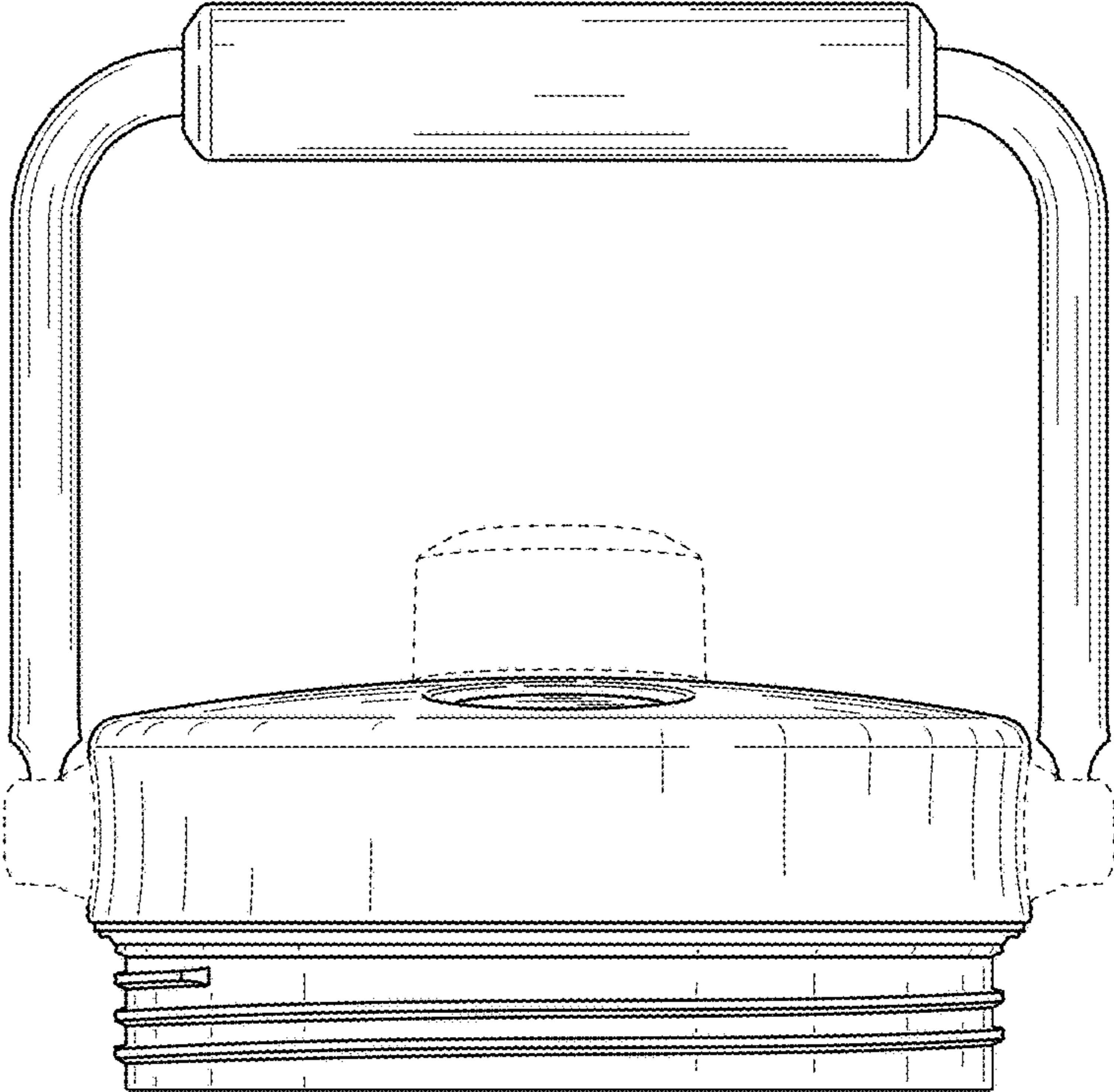


FIG. 3

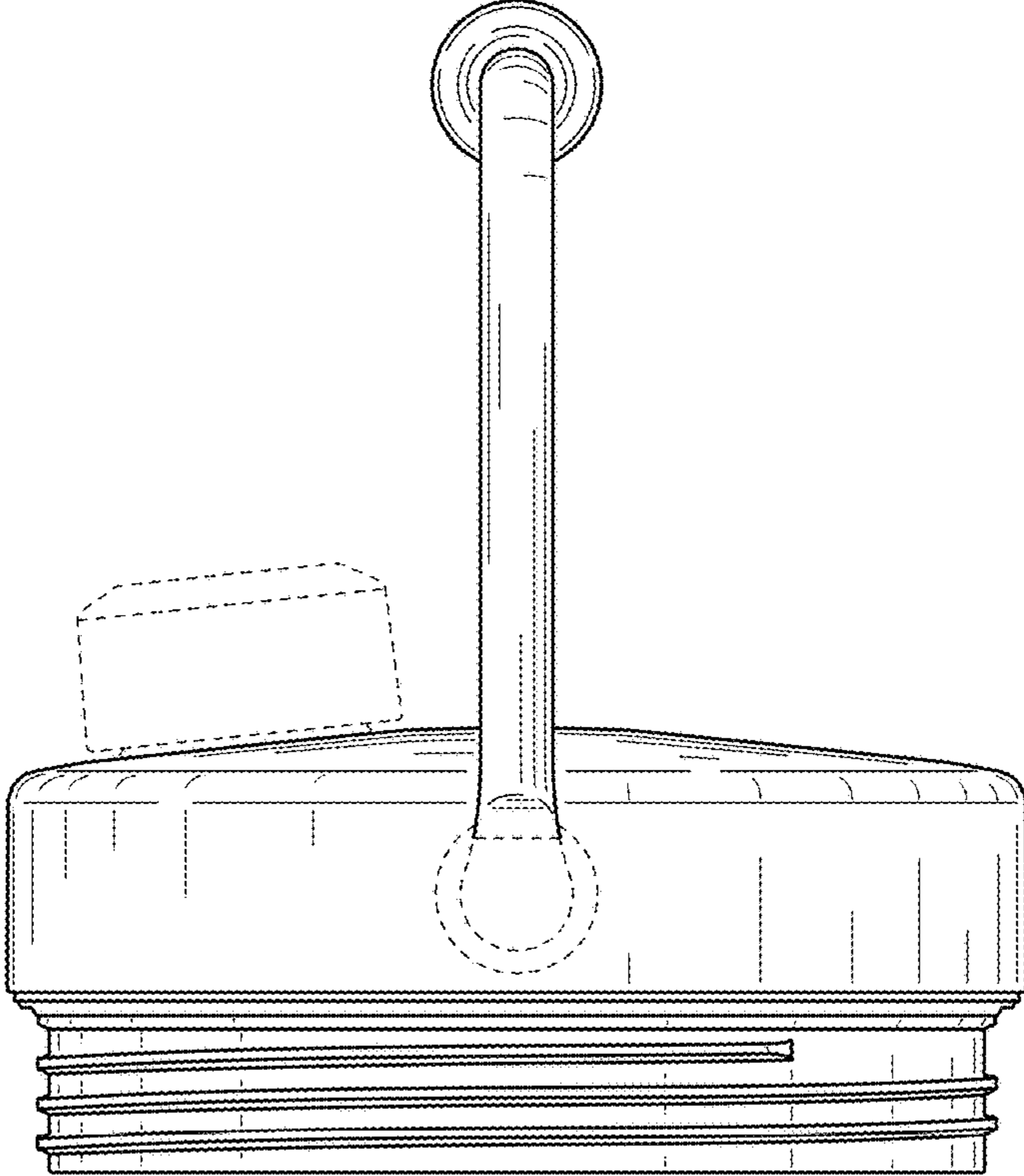


FIG. 4

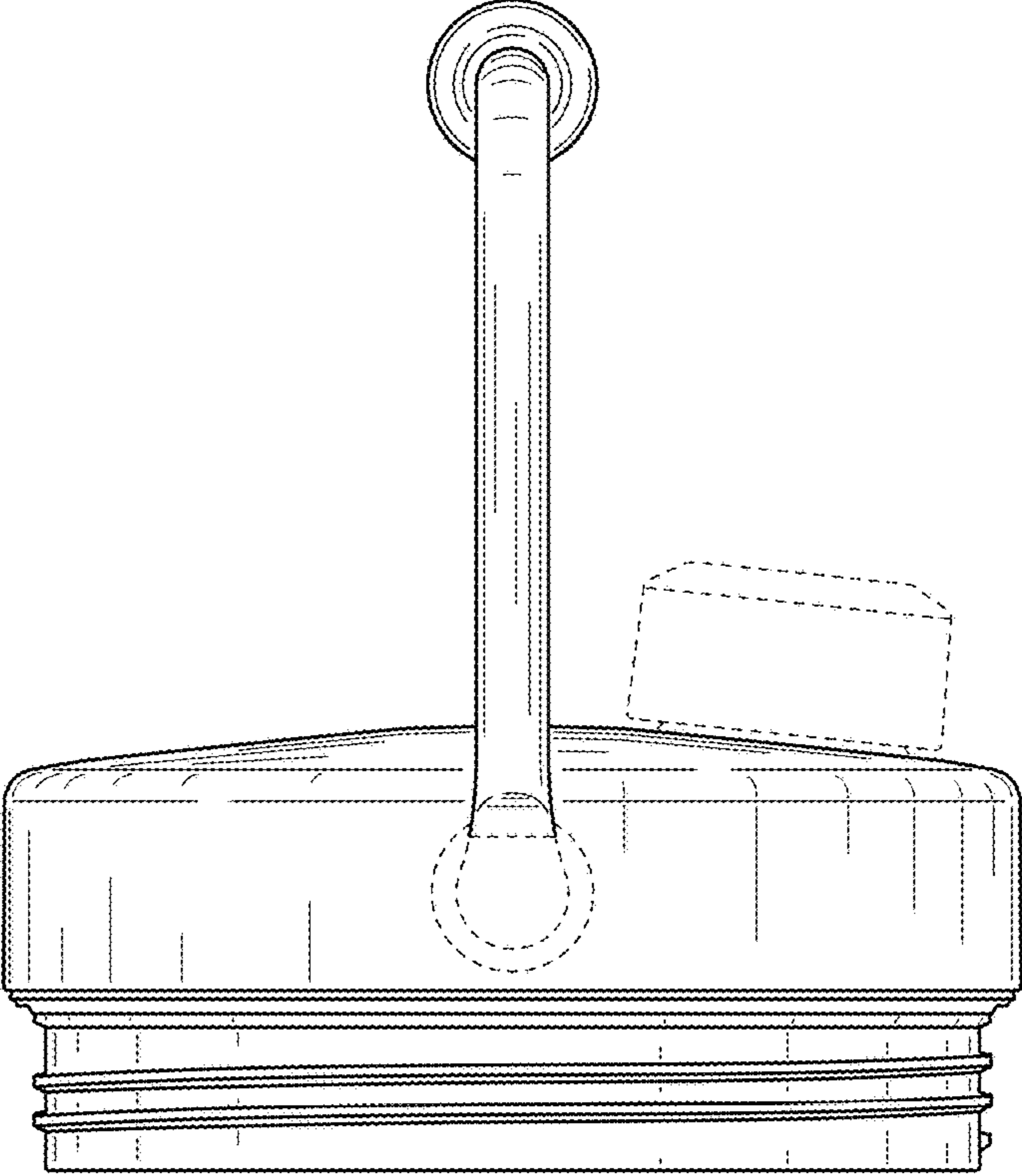


FIG. 5

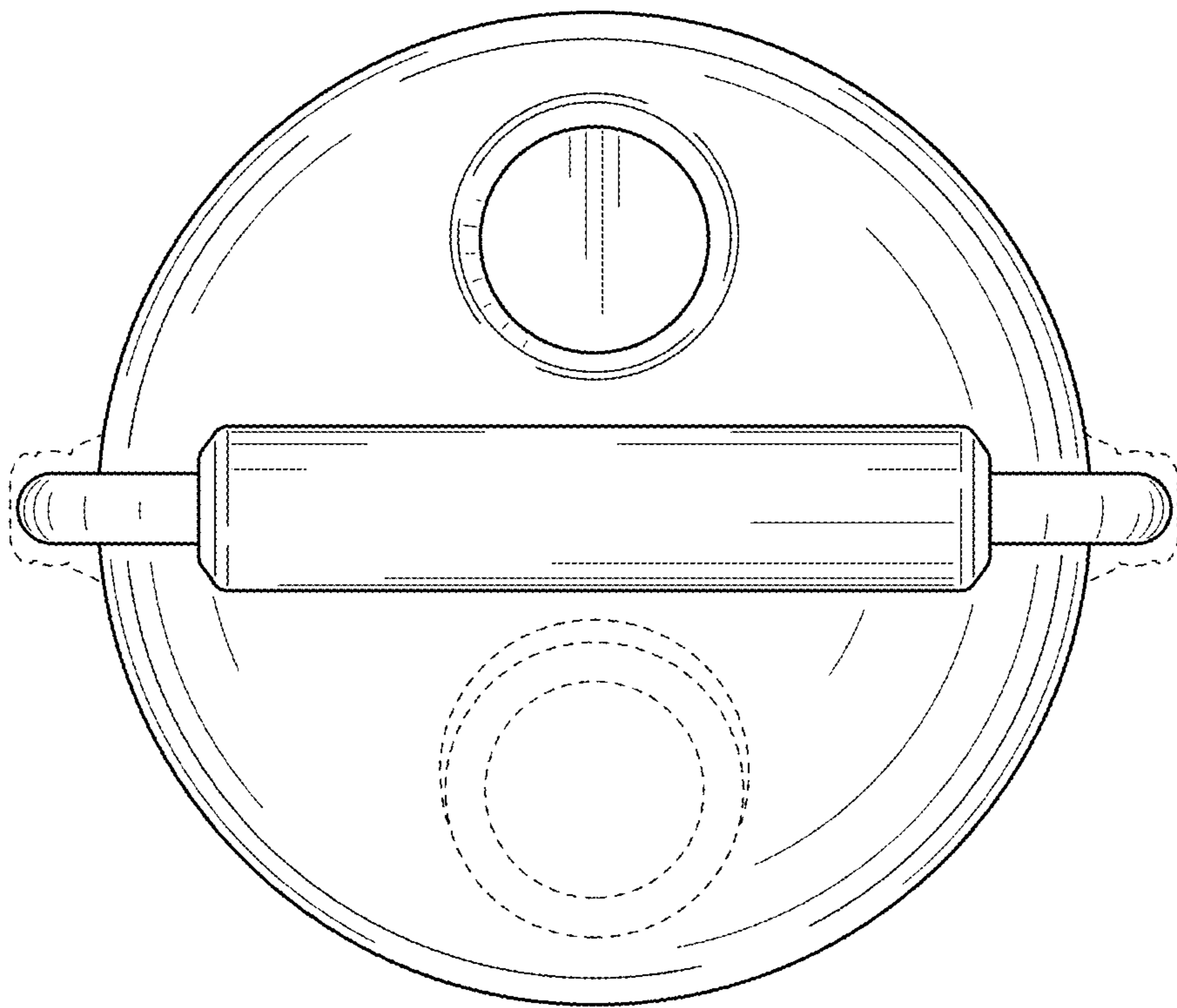


FIG. 6