

US00D832703S

(12) **United States Design Patent**
Brown

(10) **Patent No.:** **US D832,703 S**

(45) **Date of Patent:** **** Nov. 6, 2018**

(54) **TIP ATTACHMENT**

(71) Applicant: **BIOMED PACKAGING SYSTEMS INC.**, Norwalk, CT (US)

(72) Inventor: **James Brown**, Armonk, NY (US)

(73) Assignee: **BIOMED PACKAGING SYSTEMS INC.**, Norwalk, CT (US)

(**) Term: **15 Years**

(21) Appl. No.: **29/613,502**

(22) Filed: **Aug. 10, 2017**

(51) **LOC (11) Cl.** **09-07**

(52) **U.S. Cl.**
USPC **D9/447**

(58) **Field of Classification Search**
USPC D3/201, 203.1, 203.2, 203.3; D7/300, D7/312, 313, 387, 392, 392.1, 396.1, D7/396.2, 397, 398; D9/434-436, 440, D9/443, 447, 448, 452-456, 499, 723
CPC A61M 35/006; B65D 47/42
See application file for complete search history.

(56) **References Cited**

U.S. PATENT DOCUMENTS

- 3,285,479 A * 11/1966 Porter B65D 47/242 222/521
- D245,221 S * 8/1977 Hoyt D19/71
- 7,946,779 B2 * 5/2011 Kaufman A61M 35/006 401/132
- D682,100 S * 5/2013 Brown D9/447

- D718,131 S * 11/2014 Brown D9/447
- D721,581 S * 1/2015 Brown D9/447
- D737,143 S * 8/2015 Brown D9/447
- D782,182 S * 3/2017 Schaub D13/120
- 9,636,489 B2 * 5/2017 Kaufman A61M 35/003
- 9,789,296 B2 * 10/2017 Kaufman A61M 35/006

* cited by examiner

Primary Examiner — Eric L Goodman

Assistant Examiner — Darcey E Heflin

(74) *Attorney, Agent, or Firm* — Andrew F. Young, Esq.;
Lackebach Siegel, LLP

(57) **CLAIM**

The ornamental design for a tip attachment, as shown and described.

DESCRIPTION

FIG. 1 is a top front perspective view of the present invention.

FIG. 2 is a bottom rear perspective view thereof.

FIG. 3 is a right side bottom inside perspective view thereof

FIG. 4 is a left side bottom inside perspective view thereof.

FIG. 5 is a front elevation view thereof.

FIG. 6 is a rear elevation view thereof.

FIG. 7 is a left side elevation view thereof.

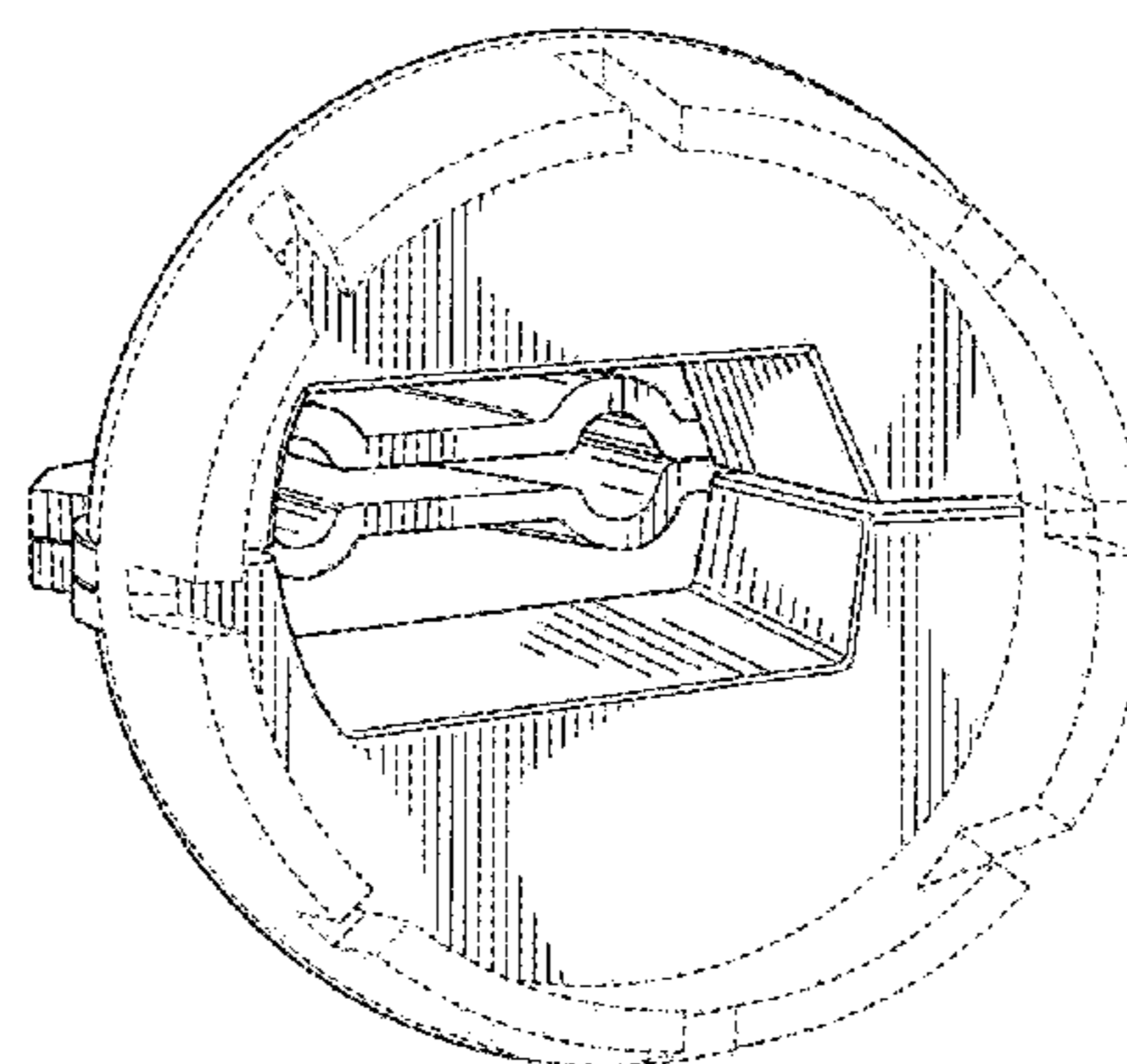
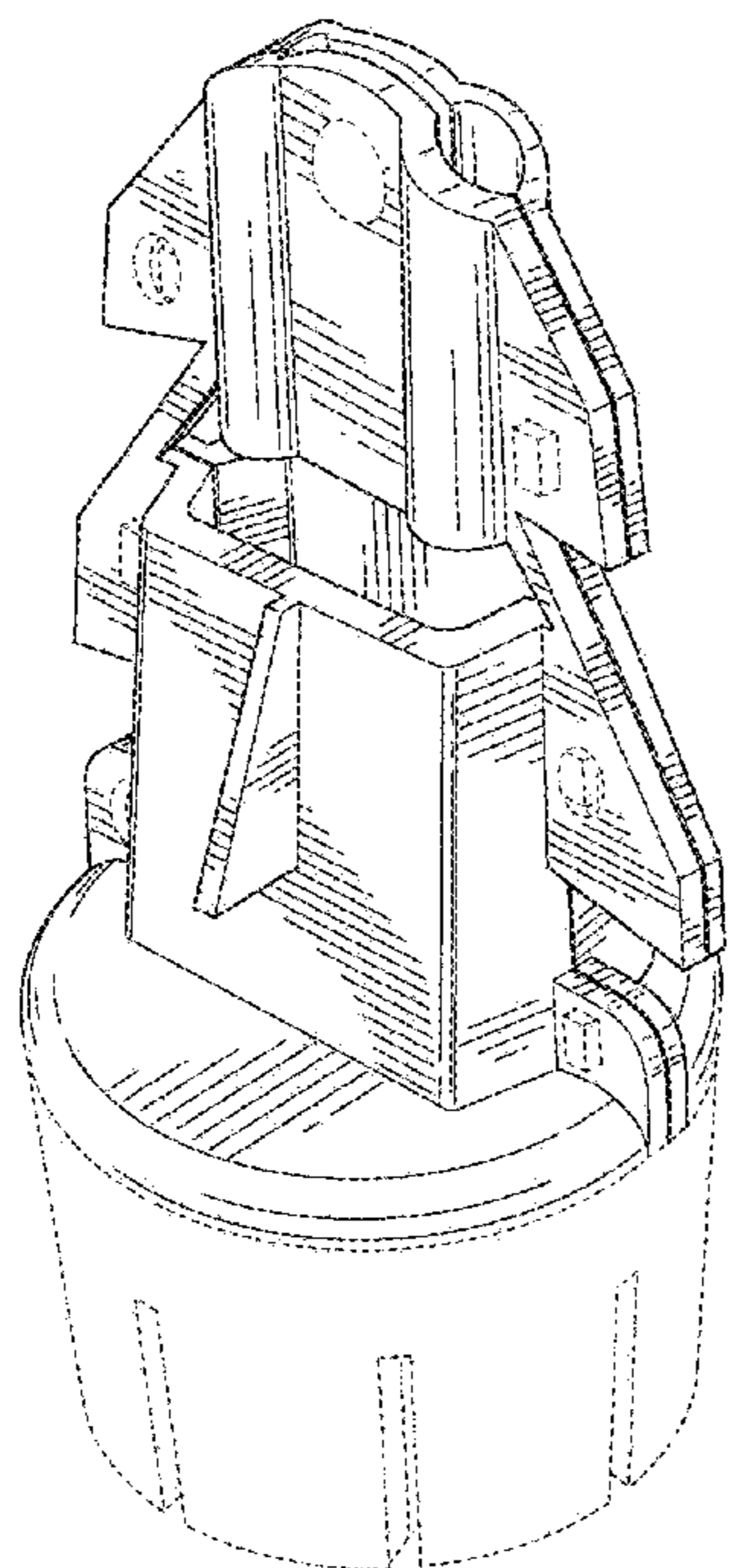
FIG. 8 is a right side elevation view thereof.

FIG. 9 is a top plan view thereof; and,

FIG. 10 is a bottom plan view thereof.

In the drawings, the broken lines indicate environmental subject matter that forms no part of the claimed design. No claim is made to portions that are not shown.

1 Claim, 7 Drawing Sheets



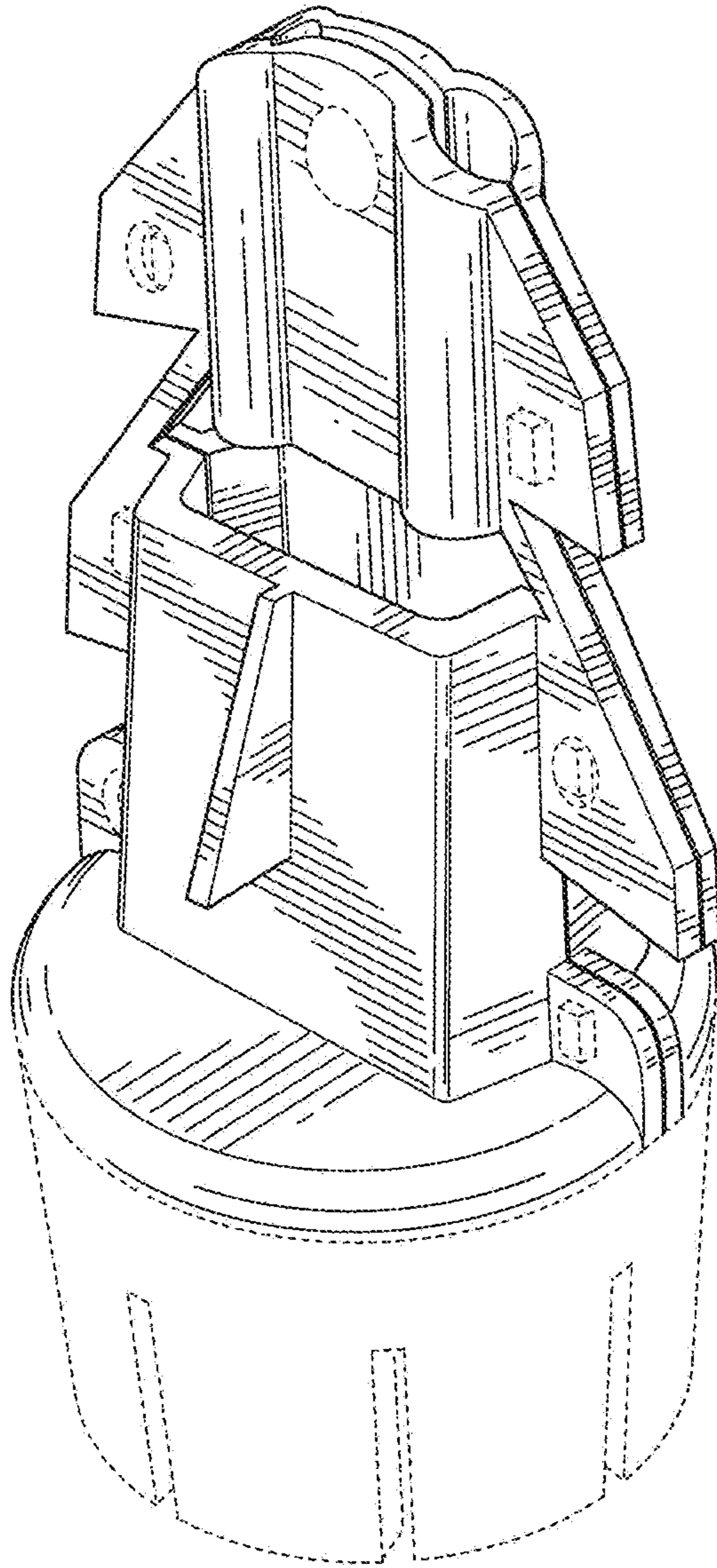


FIG. 1

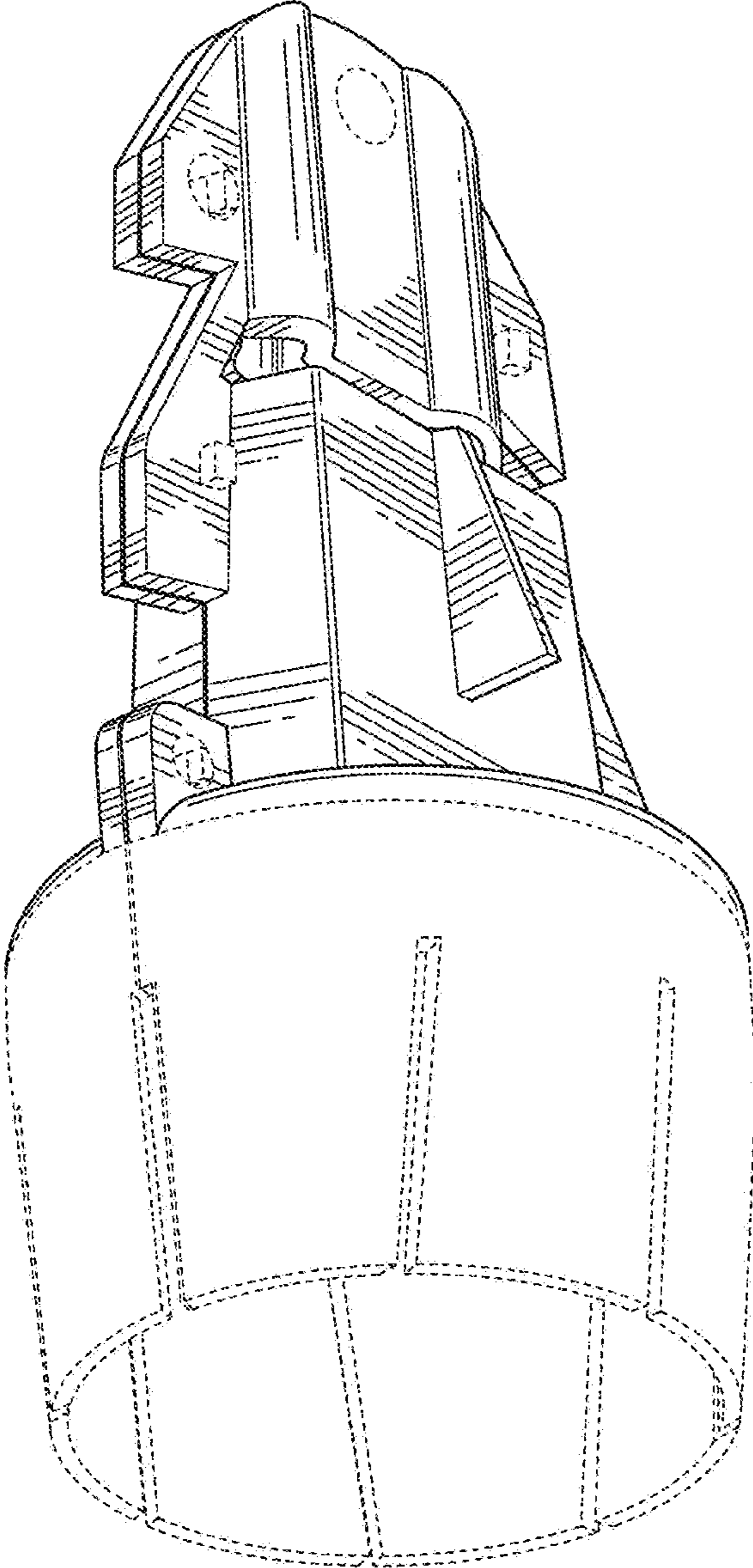


FIG. 2

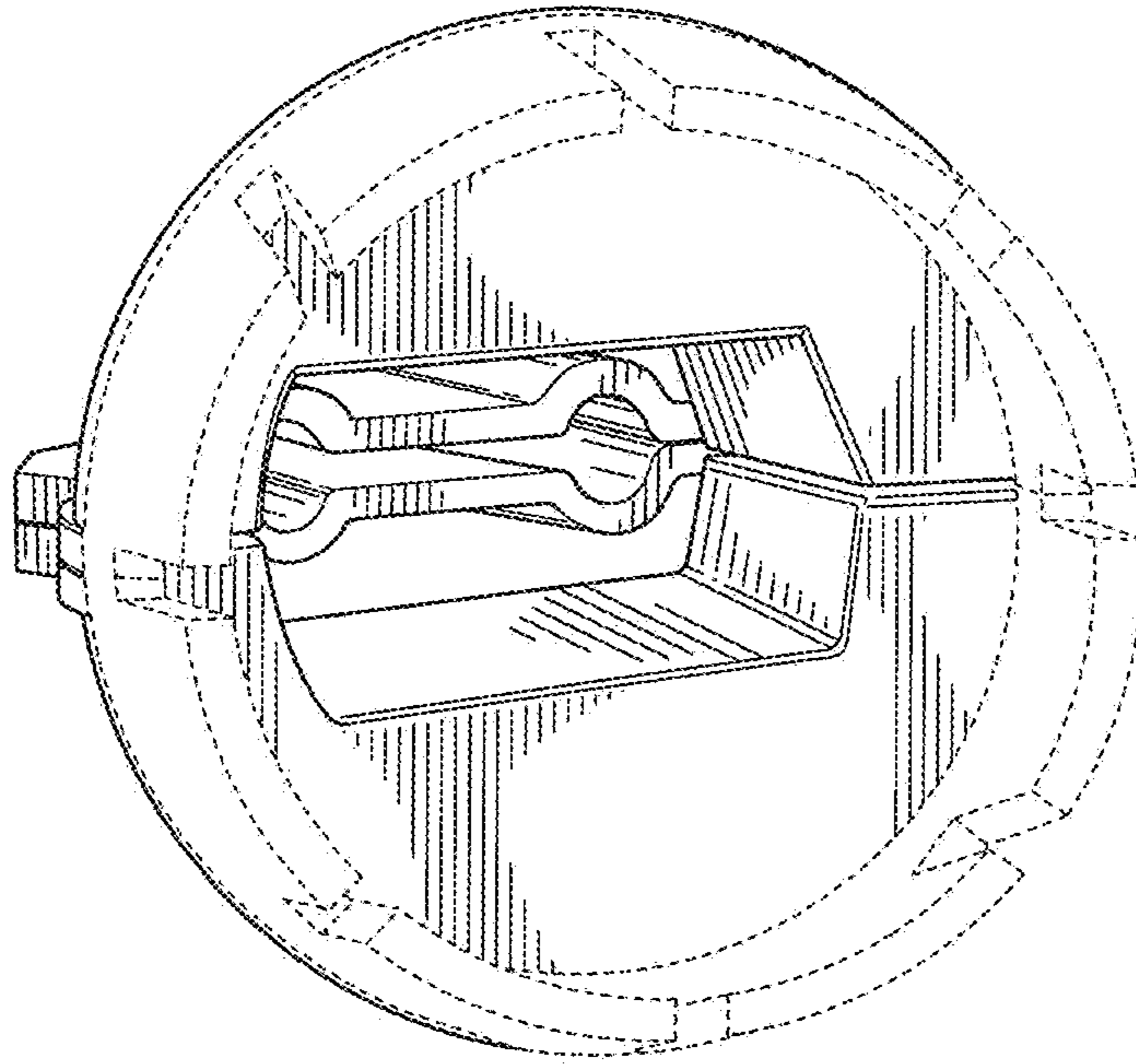


FIG. 3

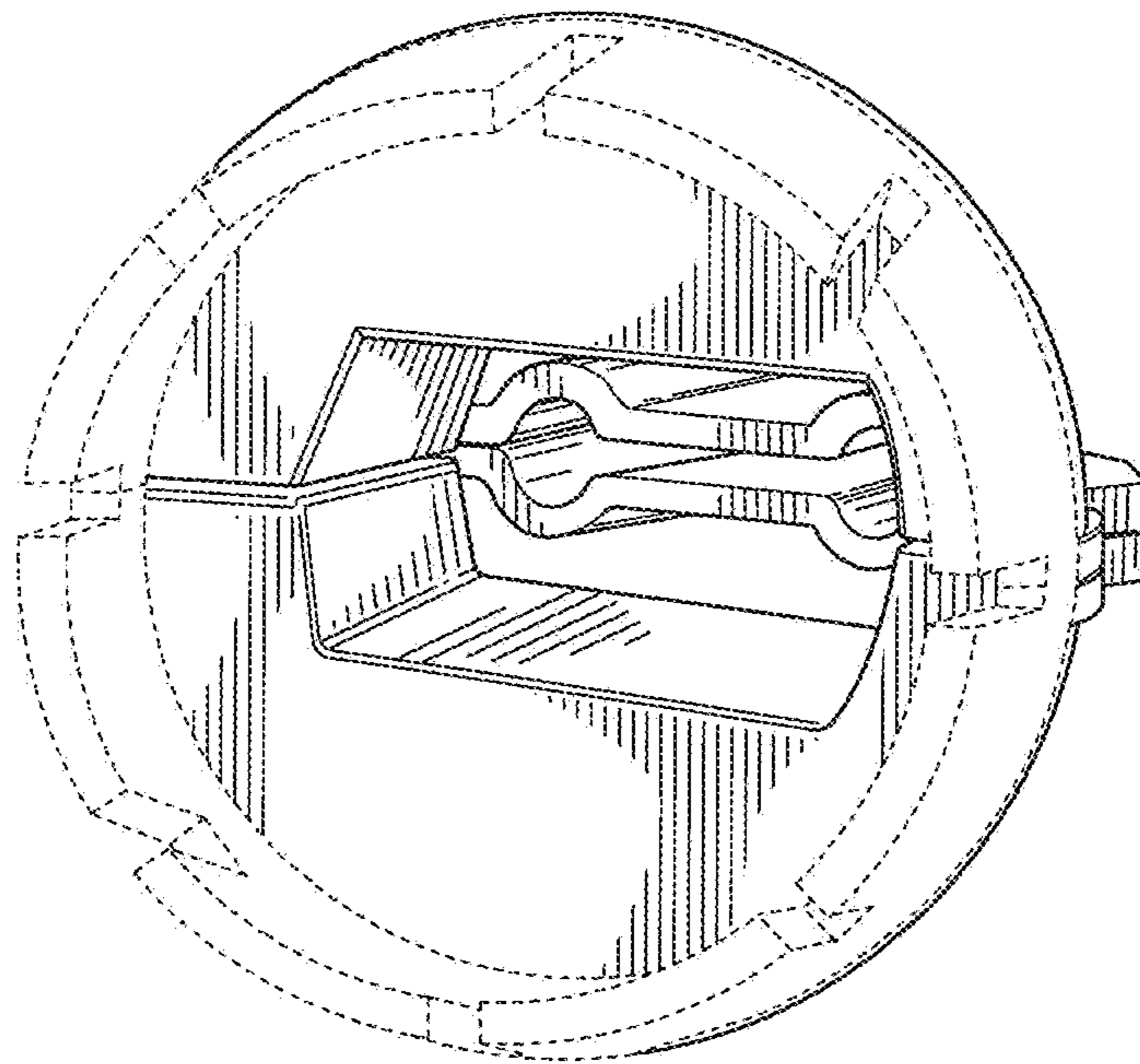


FIG. 4

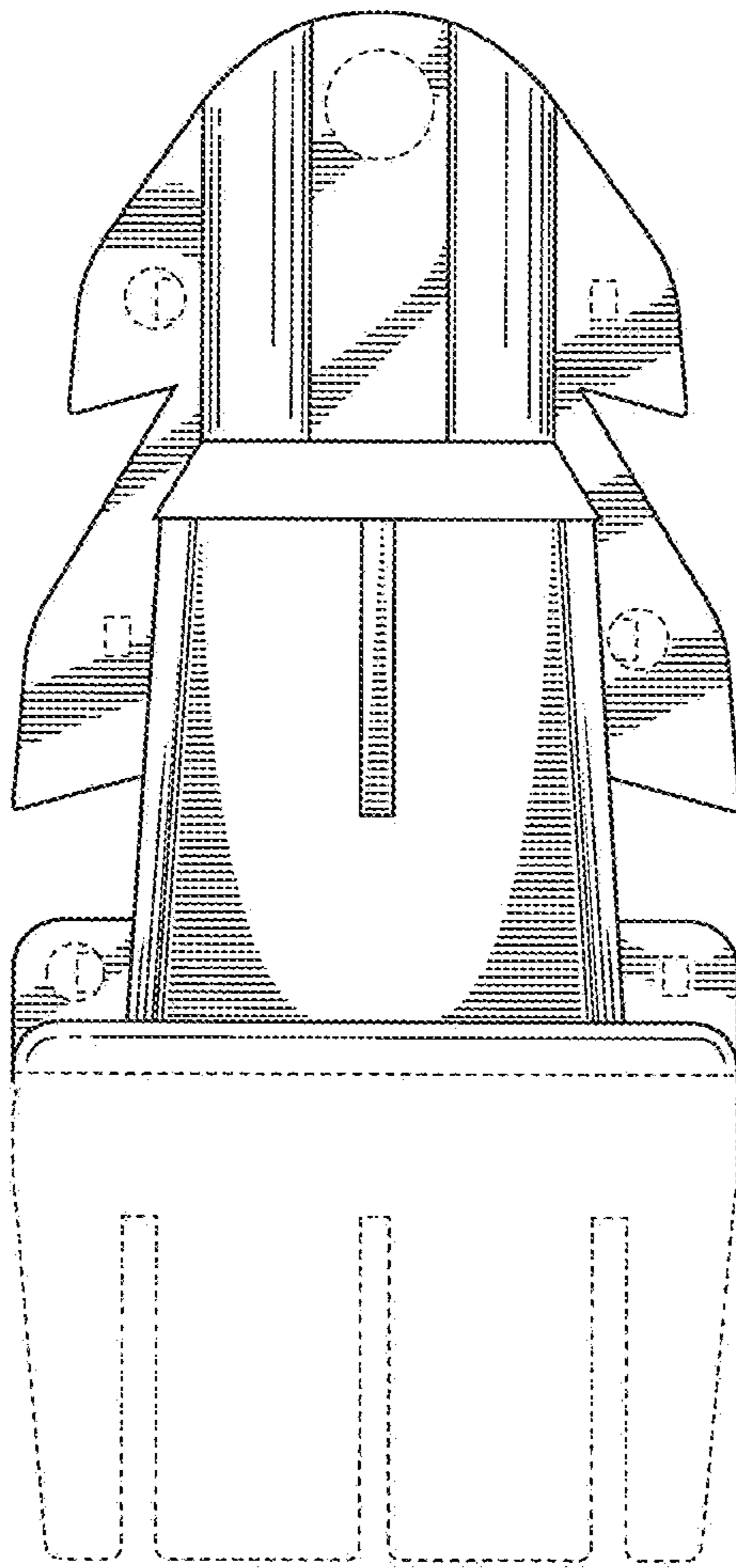


FIG. 5

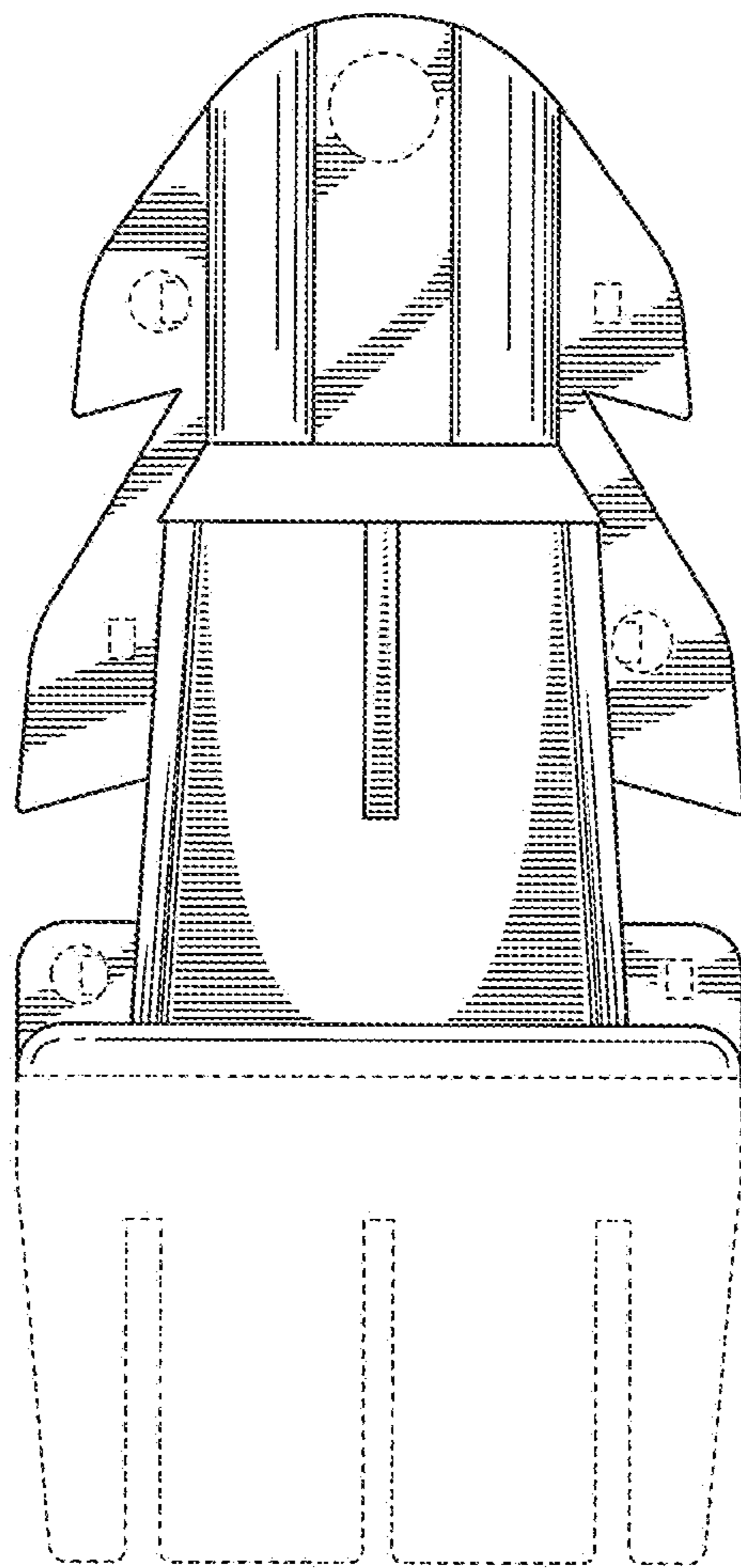


FIG. 6

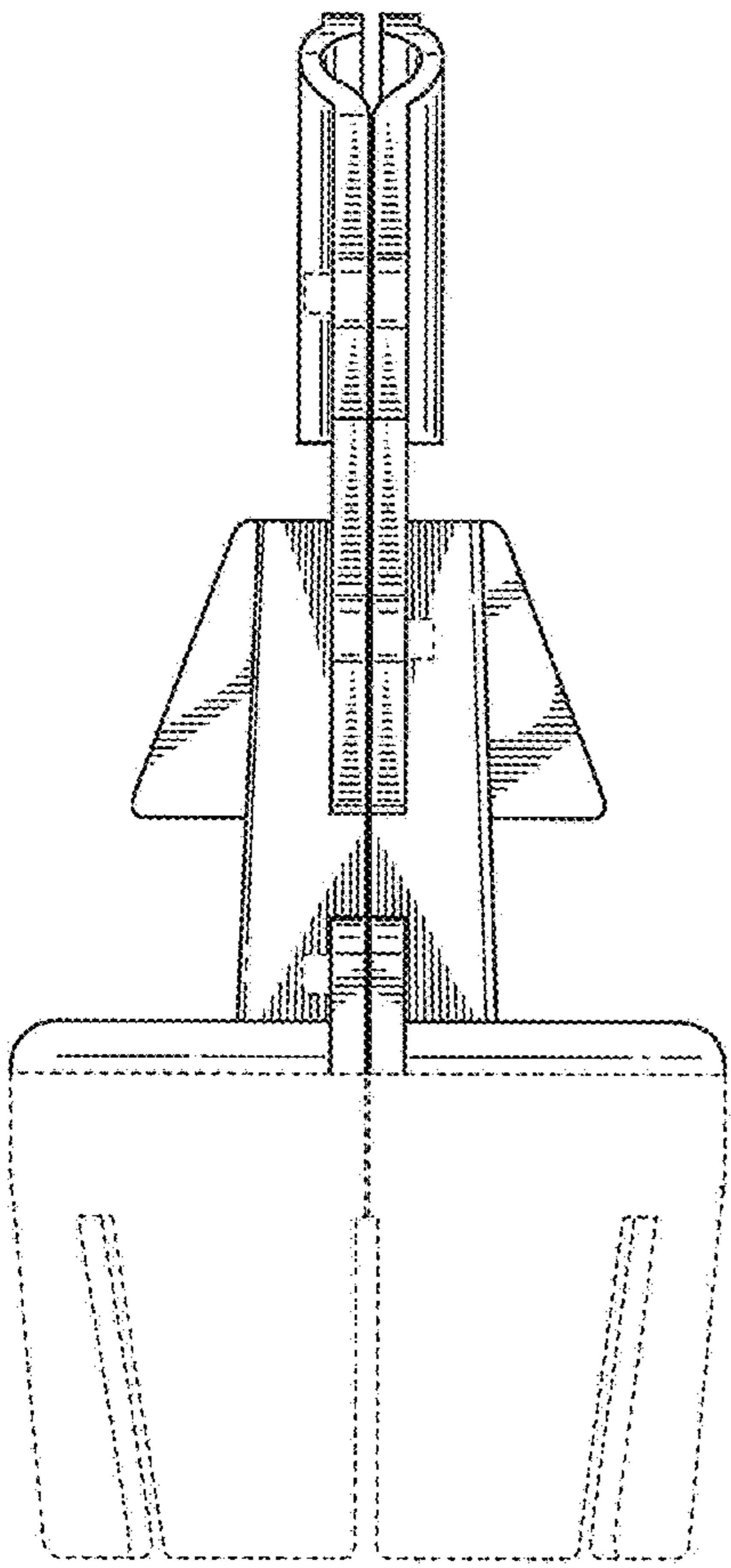


FIG. 7

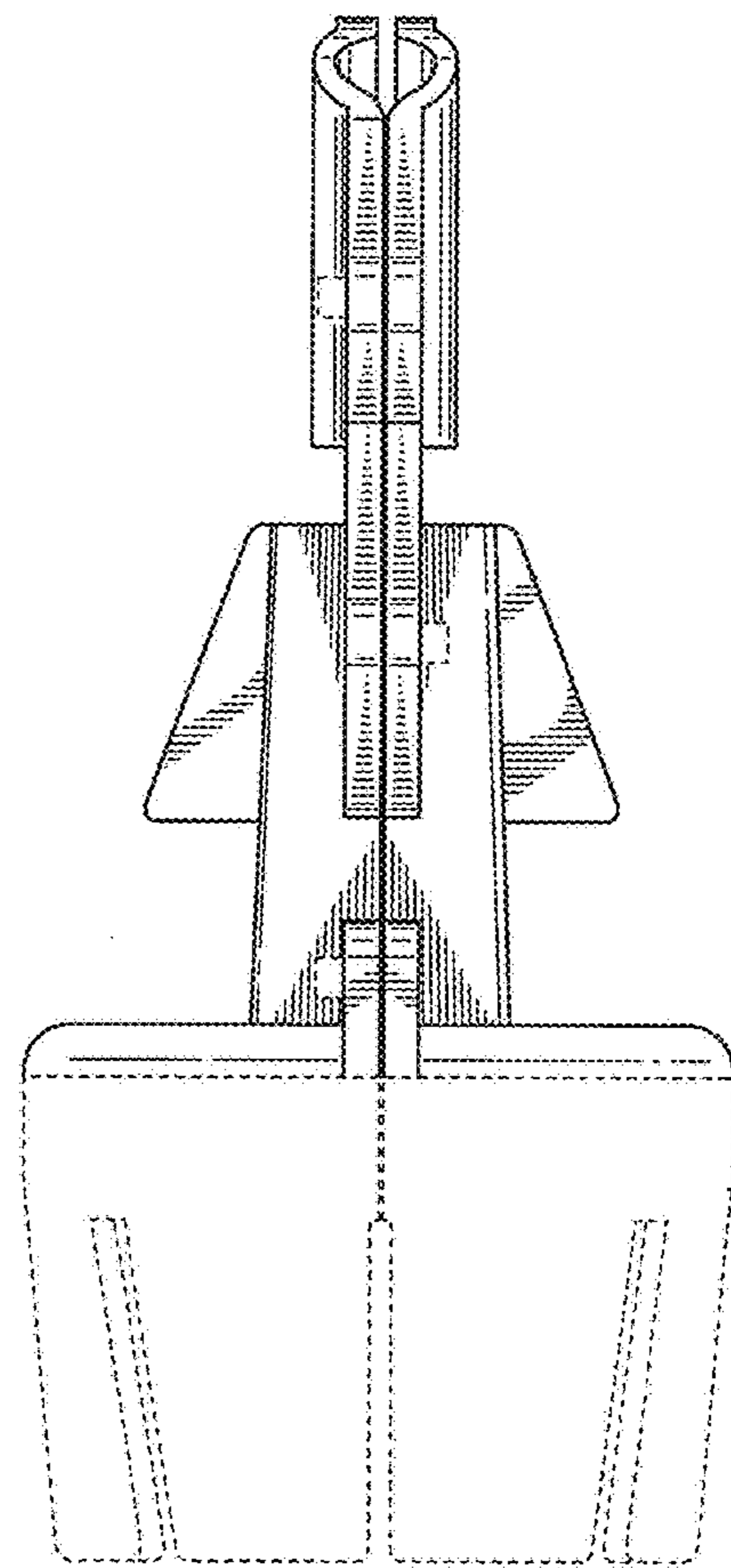


FIG. 8

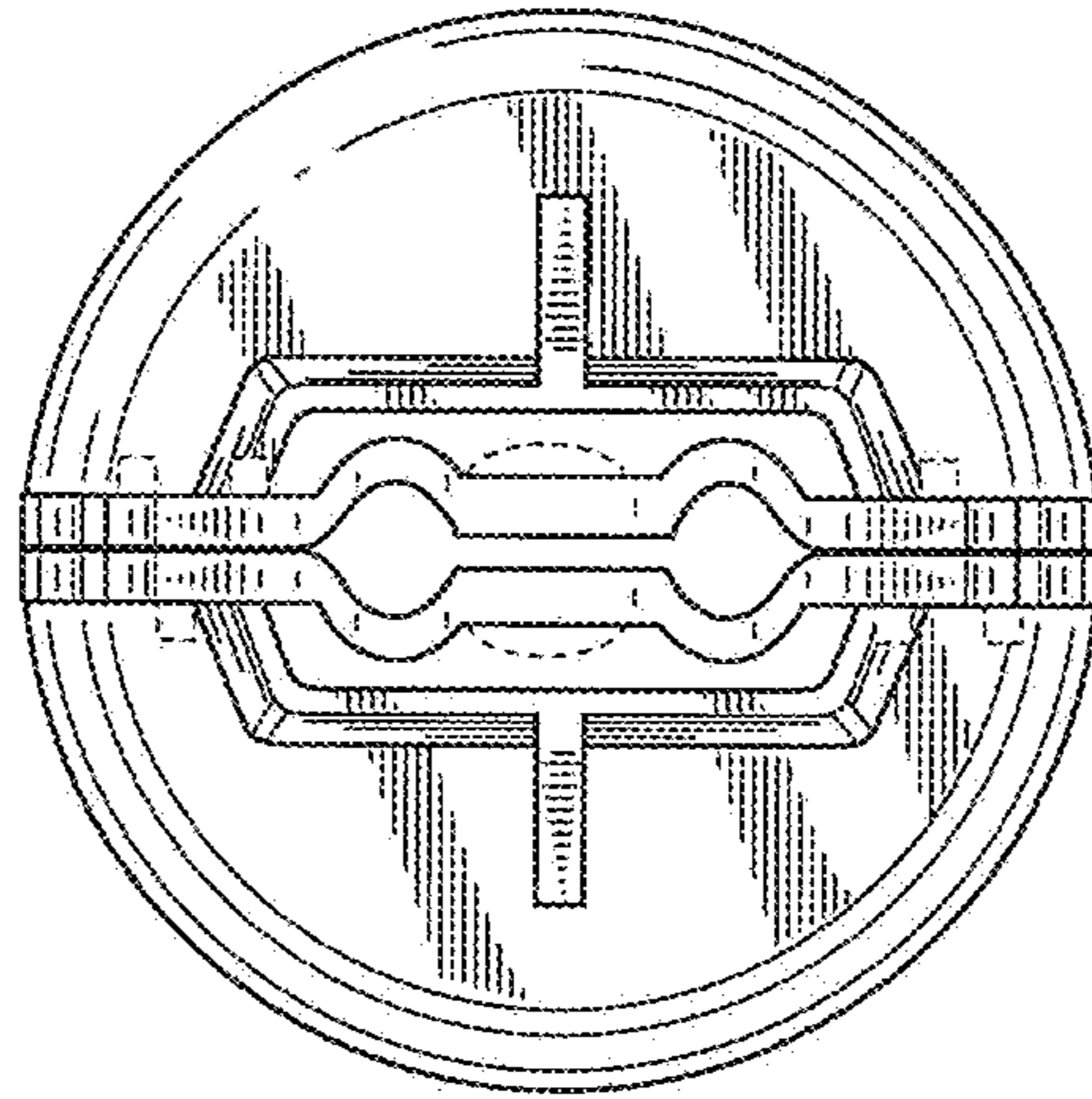


FIG. 9

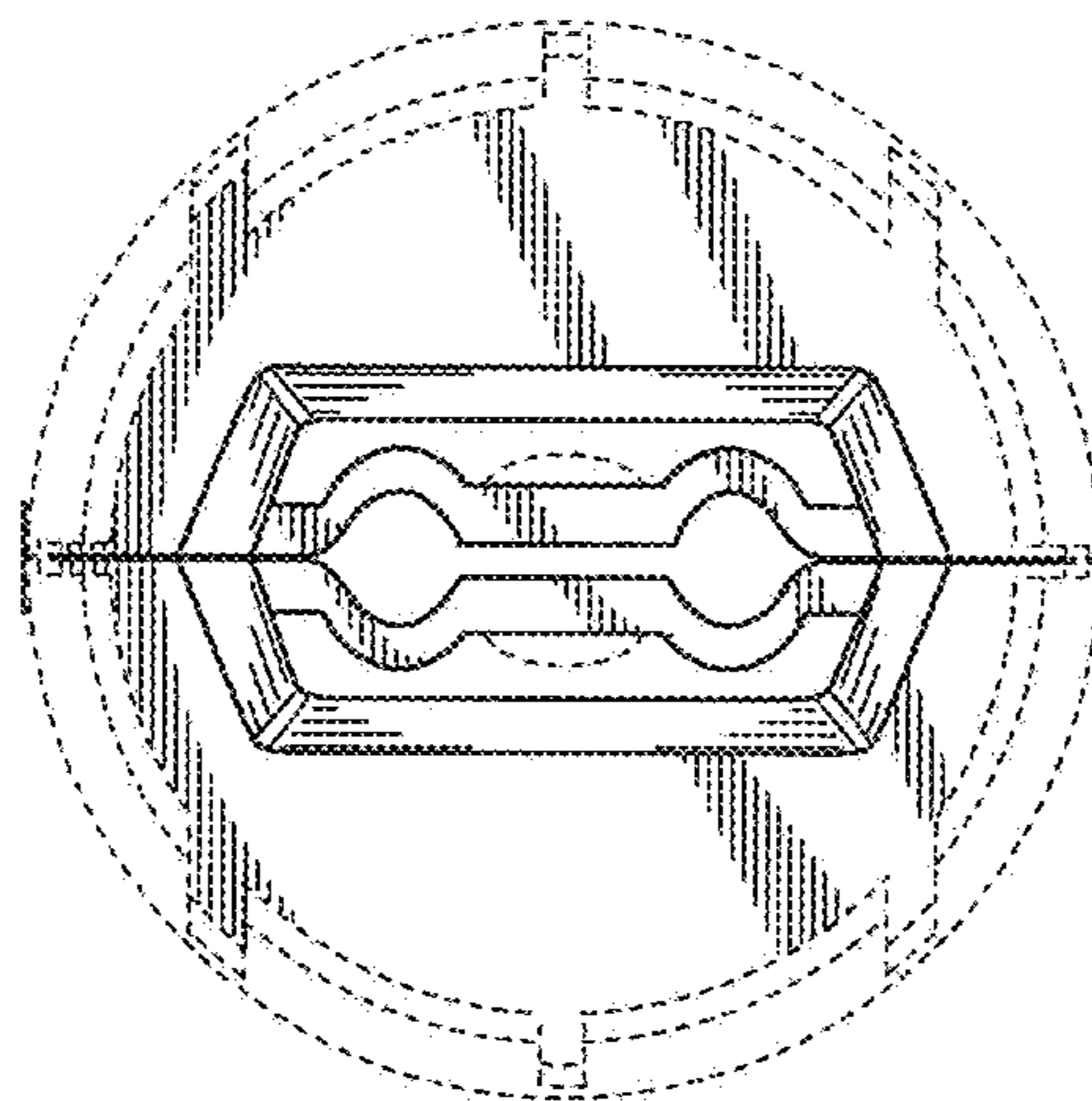


FIG. 10