

US00D832701S

(12) **United States Design Patent** (10) **Patent No.:** **US D832,701 S**
Oates (45) **Date of Patent:** **** Nov. 6, 2018**

(54) **CLOSURE FOR BOTTLE**
(71) Applicant: **Conopco, Inc.**, Englewood Cliffs, NJ (US)
(72) Inventor: **Benjamin Phelan Oates**, Tunbridge Wells (GB)
(73) Assignee: **Conopco, Inc.**, Englewood Cliffs, NJ (US)

D601,425 S 10/2009 Miller et al.
D605,510 S * 12/2009 Weber D9/449
D605,512 S * 12/2009 Weber D9/449
D608,196 S * 1/2010 Beilke D9/449
D641,633 S 7/2011 Carnduff et al.
D646,170 S 10/2011 Carnduff et al.
D650,672 S * 12/2011 Krallmann D9/449
D663,202 S * 7/2012 Biesecker D9/449
D665,261 S * 8/2012 Mazurkiewicz D9/449
D672,654 S * 12/2012 Jackel D9/443

(Continued)

(**) Term: **15 Years**

OTHER PUBLICATIONS

(21) Appl. No.: **29/595,632**

Greener Package. Waste reduction is central to Unilever's sustainability strategy. Feb. 8, 2013 [earliest online date], [site visited Oct. 27, 2017]. Available from Internet, <URL:https://www.greenerpackage.com/corporate_strategy/waste_reduction_central_unilevers_sustainability_strategy>. (Year: 2013).*

(22) Filed: **Mar. 1, 2017**

(Continued)

(30) **Foreign Application Priority Data**

Sep. 8, 2016 (EM) 003370956-0001

(51) **LOC (11) Cl.** **09-07**

(52) **U.S. Cl.**
USPC **D9/447; D9/435**

(58) **Field of Classification Search**
USPC D3/202, 318; D7/213, 300, 300.1, D7/312-314, 316-319, 321, 322, 387, D7/392, 392.1, 396.2; D9/434-436, 440, D9/443, 447, 499, 454, 444, 445, 529
CPC B65D 47/08; B65D 47/0823; B65D 47/0838; B65D 51/249

See application file for complete search history.

Primary Examiner — Eric L Goodman
Assistant Examiner — Darcey E Heflin
(74) *Attorney, Agent, or Firm* — Karen E. Klumas

(56) **References Cited**

U.S. PATENT DOCUMENTS

D343,358 S * 1/1994 Lay D9/447
D425,429 S 5/2000 Weber
D471,820 S 3/2003 Faillant-Dumas
D495,957 S 9/2004 Bakic
D527,641 S 9/2006 Bakic
D534,426 S * 1/2007 Bakic D9/435
D540,176 S 4/2007 Flurer et al.
D548,601 S 8/2007 Mongeon et al.

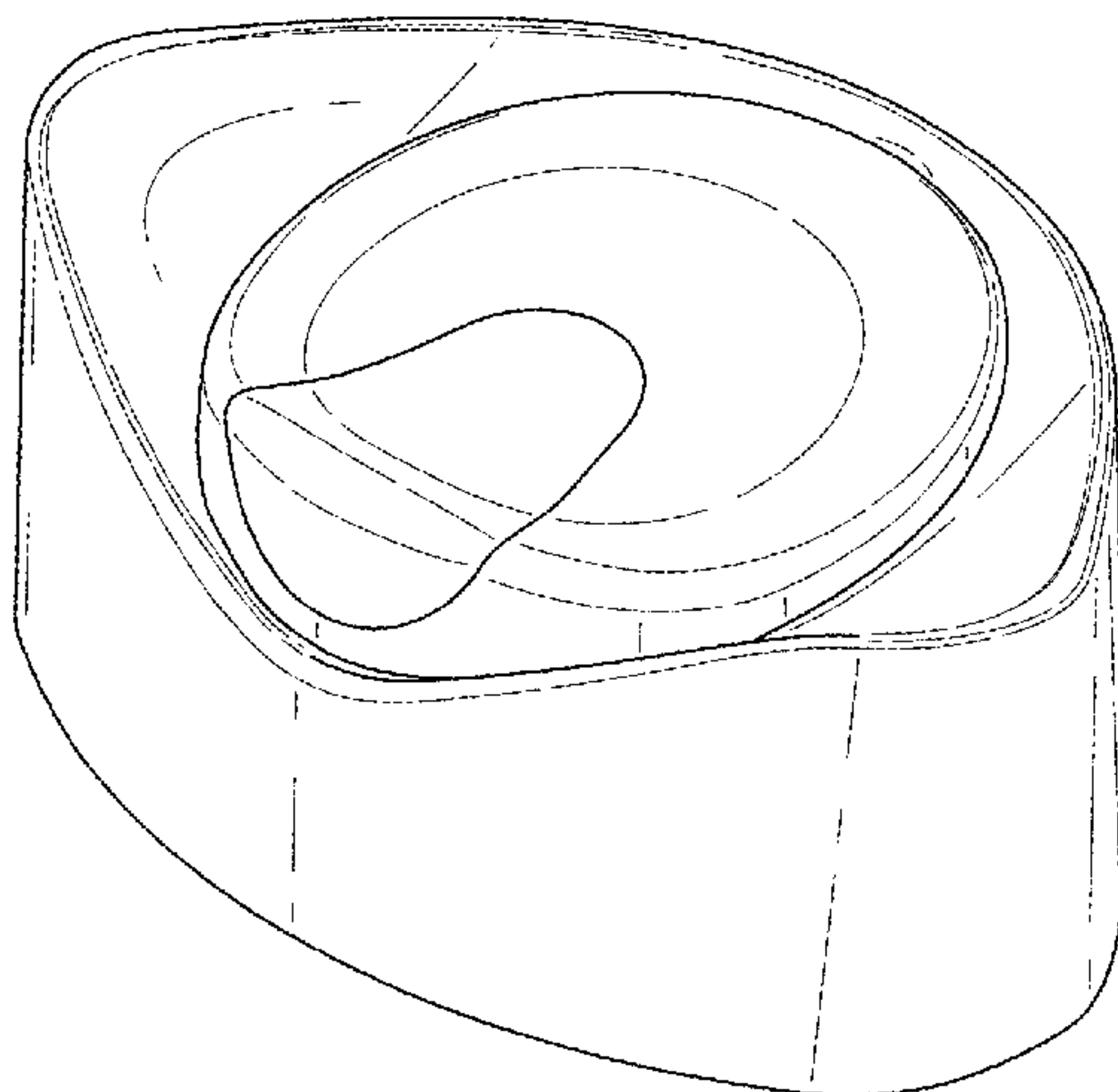
(57) **CLAIM**

The ornamental design for a closure for bottle, as shown and described.

DESCRIPTION

FIG. 1 is a top, front and side perspective view of a closure for bottle in accordance with my new design; FIG. 2 is a front elevational view thereof; FIG. 3 is a rear elevational view thereof; FIG. 4 is a left side elevational view thereof; FIG. 5 is a right side elevational view thereof; FIG. 6 is a top plan view thereof; and, FIG. 7 is a bottom plan view thereof. The broken lines shown in FIG. 7 are directed to environment and form no part of the claimed design.

1 Claim, 4 Drawing Sheets



(56)

References Cited

U.S. PATENT DOCUMENTS

D704,057 S * 5/2014 Bar-Tal D9/449
 D714,153 S 9/2014 Brewer et al.
 8,875,955 B2 * 11/2014 Arora A45D 40/04
 222/386
 D722,502 S * 2/2015 Landrum D9/449
 D726,541 S 4/2015 Xu
 D742,228 S * 11/2015 Dyer D9/449
 D750,964 S 3/2016 Alvarez De Cienfuegos
 Hernandez et al.
 D751,904 S * 3/2016 Landrum D9/449
 D751,905 S * 3/2016 Alvarez de Cienfuegos
 Hernandez D9/449
 D751,911 S 3/2016 Alvarez De Cienfuegos
 Hernandez et al.
 D760,082 S * 6/2016 Baissero D9/449
 D769,715 S * 10/2016 Bois D9/449

D784,810 S * 4/2017 Ozamiz D9/434
 D789,200 S * 6/2017 Deringer D9/435
 D791,590 S * 7/2017 Jin D9/435
 D792,232 S 7/2017 Miller et al.

OTHER PUBLICATIONS

Strategy. Unilever kicks off biggest personal care launch yet. Jan. 24, 2013 [earliest online date], [site visited Oct. 27, 2017]. Available from Internet, <URL:<http://strategyonline.ca/2013/01/24/unilever-kicks-off-biggest-personal-care-launch-yet/>>. (Year: 2013).*
 Co-Pending Application, Benjamin Phelan Oates, U.S. Appl. No. 29/596,538, filed Mar. 9, 2017.
 Co-Pending Application, Benjamin Phelan Oates, U.S. Appl. No. 29/596,546, filed Mar. 9, 2017.
 Co-Pending Application, Benjamin Phelan Oates, U.S. Appl. No. 29/596,547, filed Mar. 9, 2017.

* cited by examiner

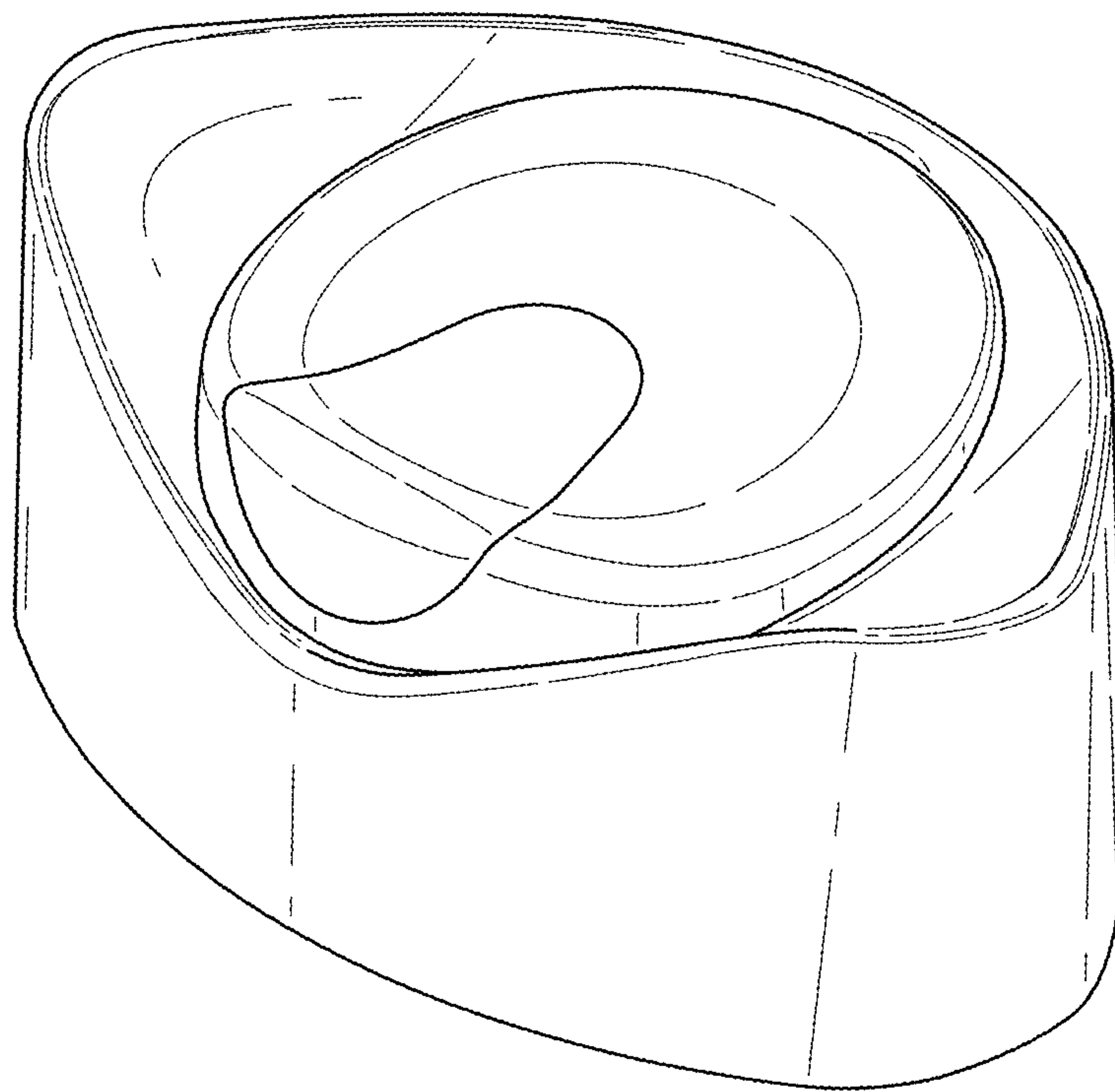


Fig. 1

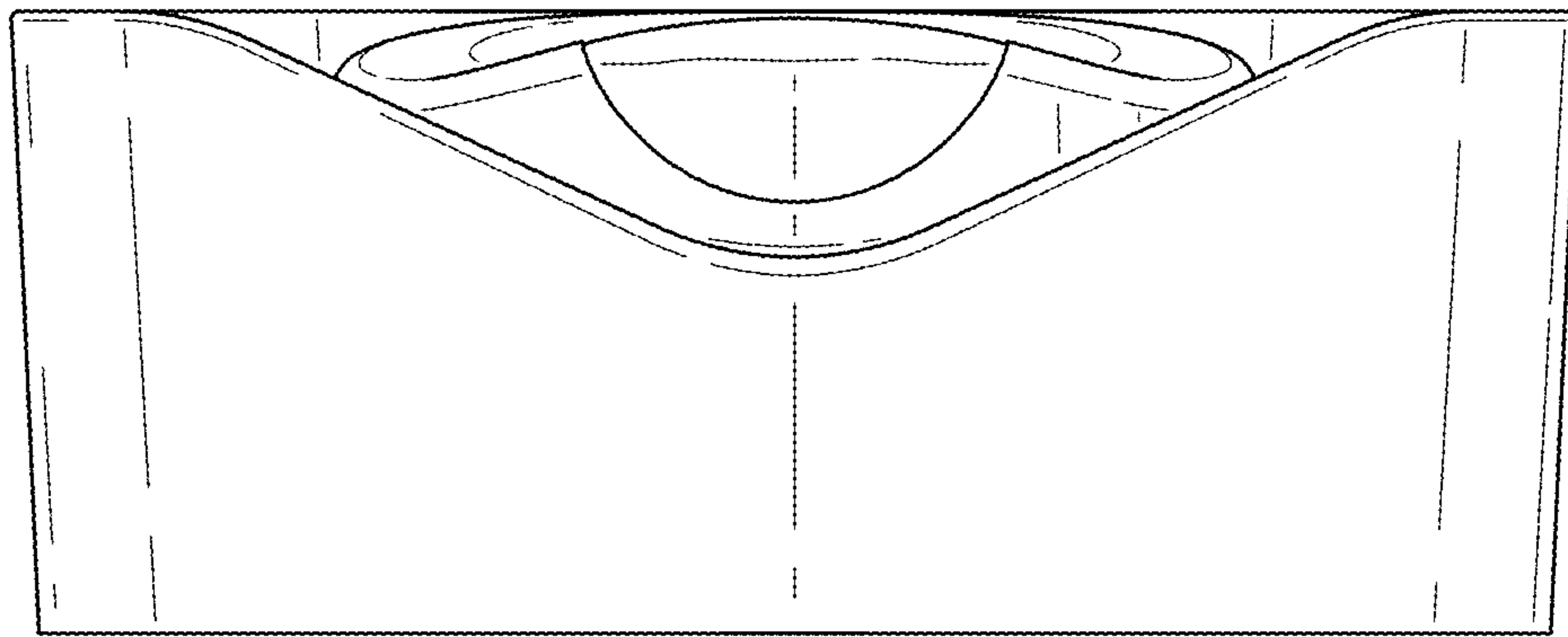


Fig. 2

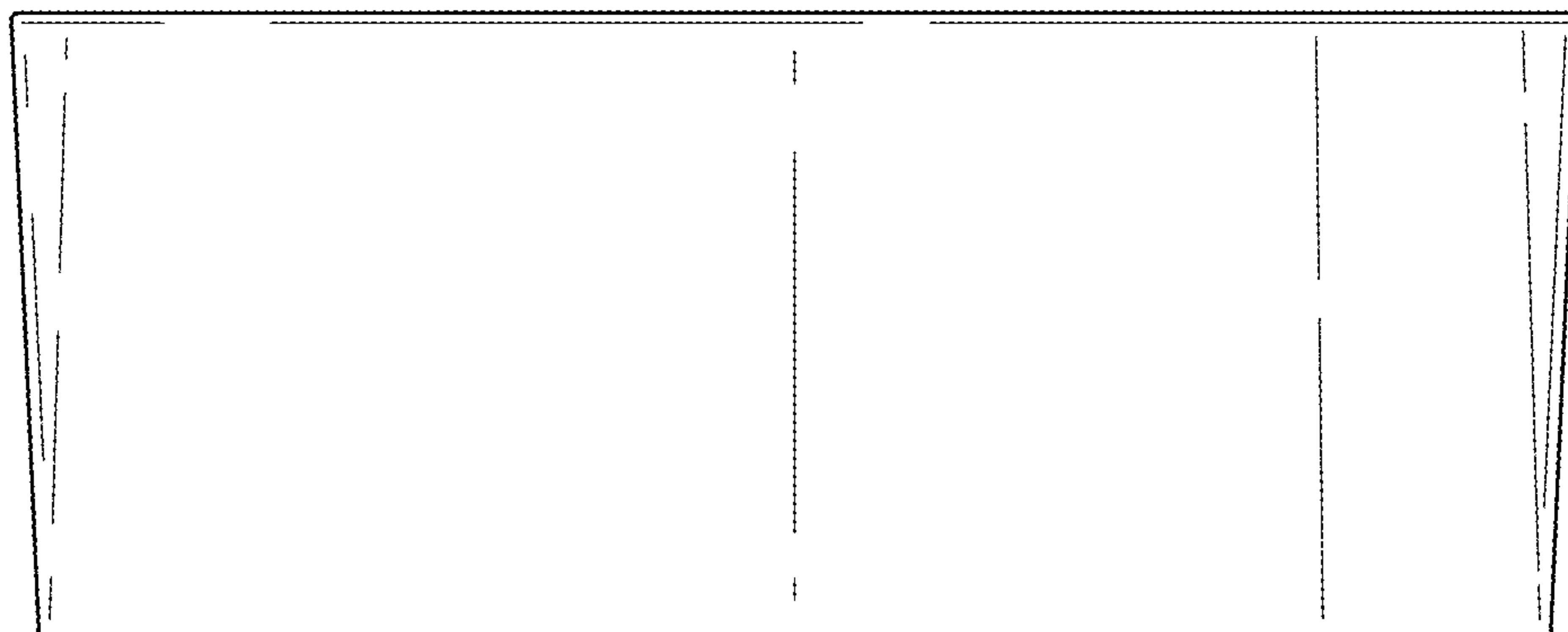


Fig. 3

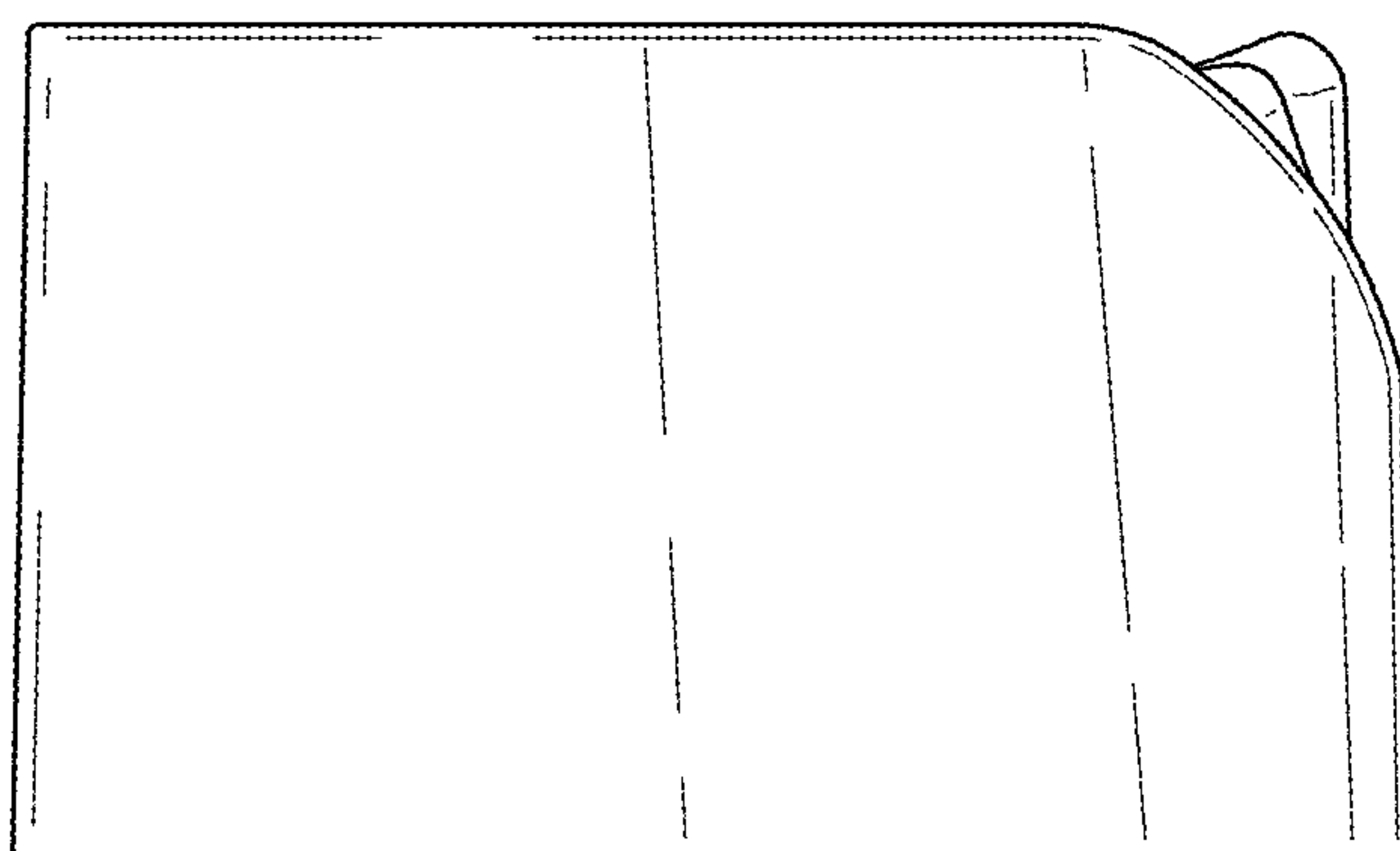


Fig. 4

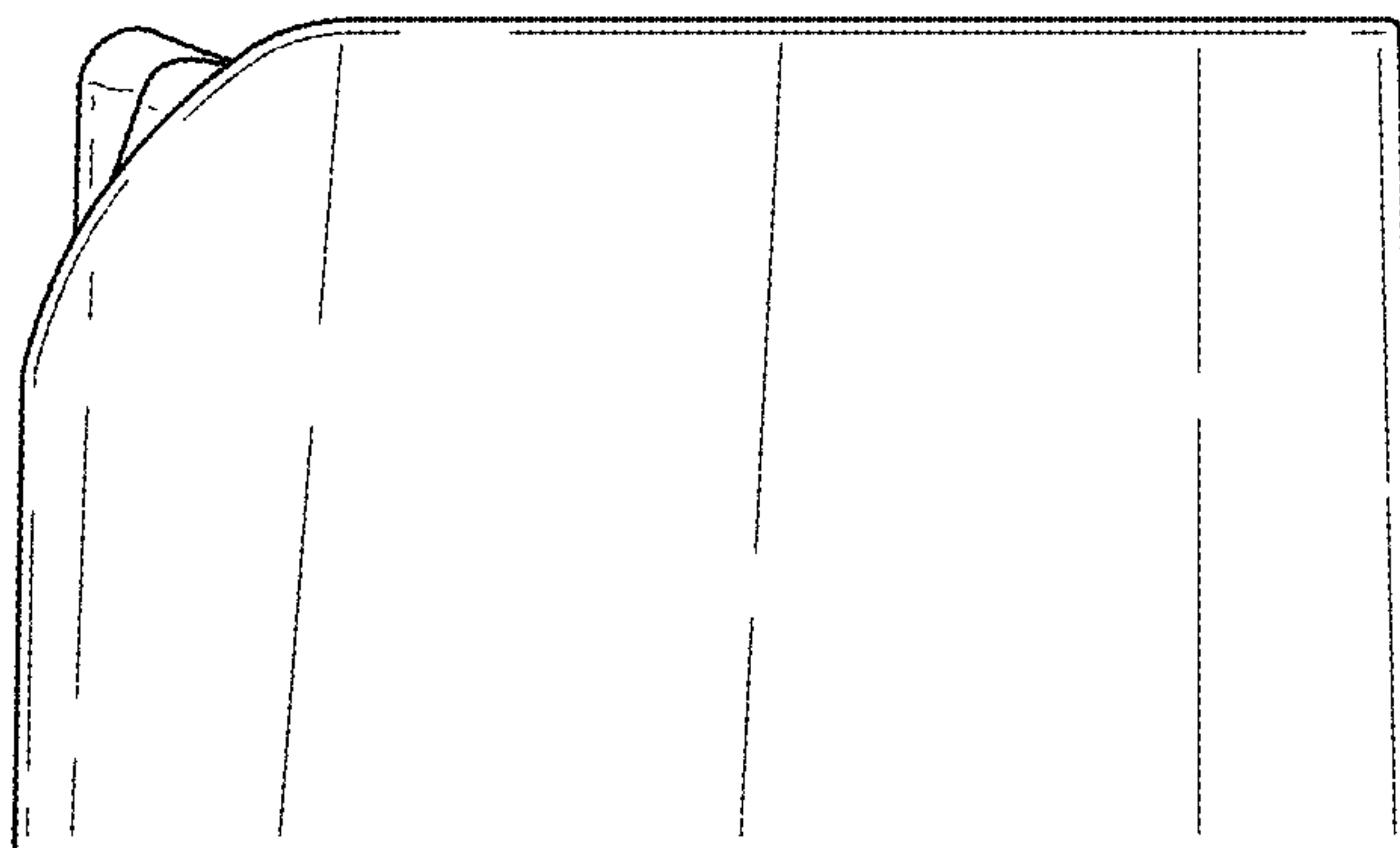


Fig. 5

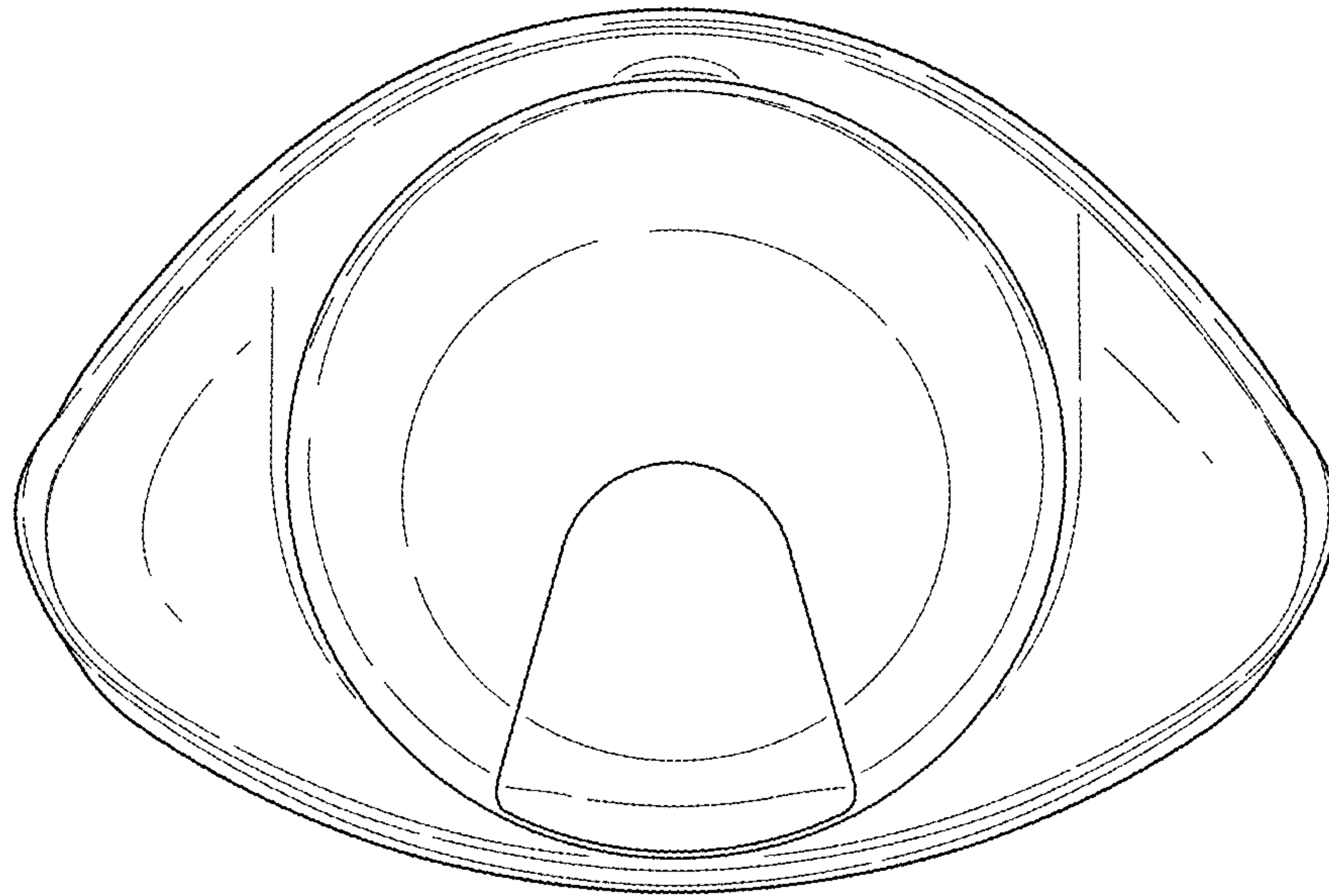


Fig. 6

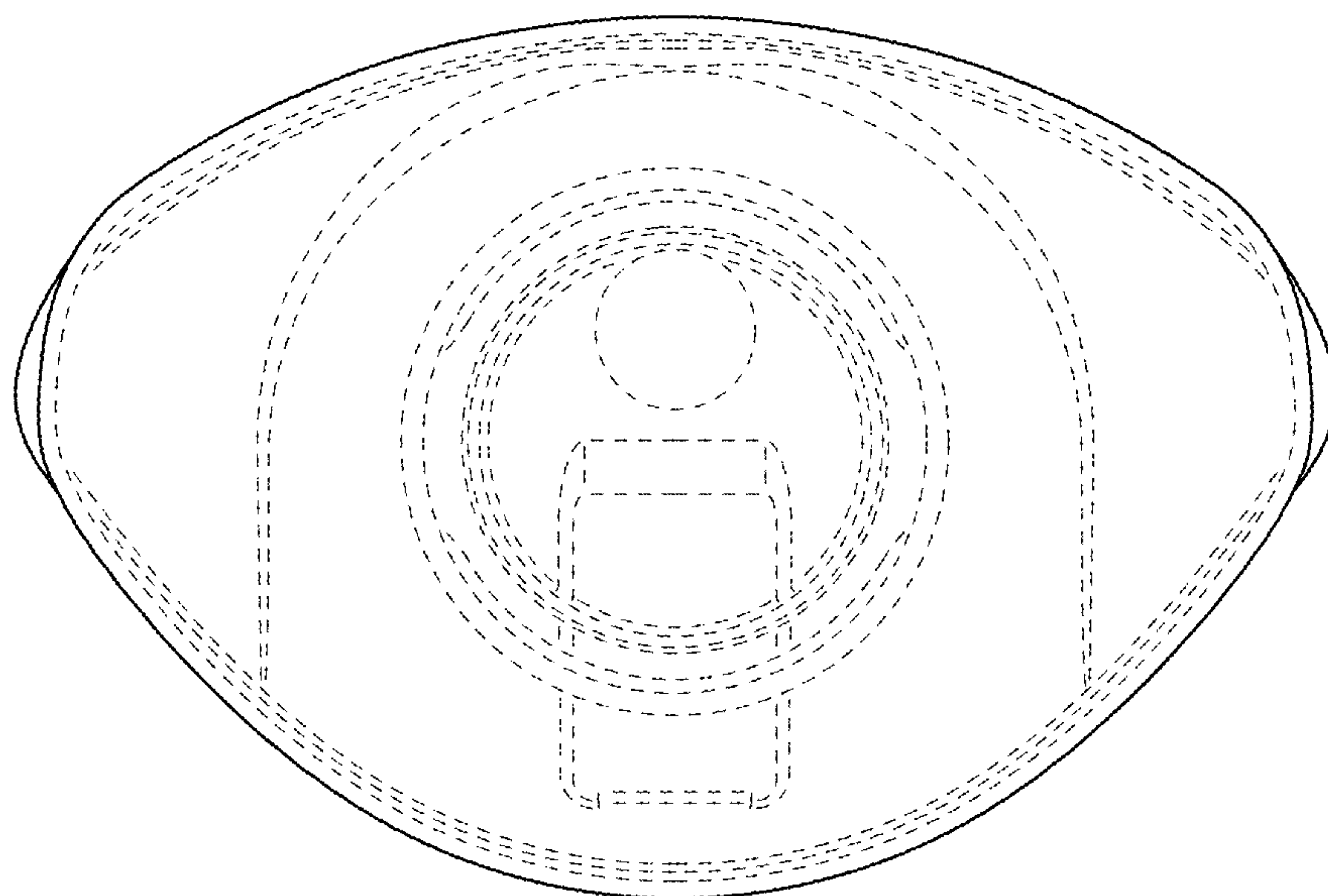


Fig. 7