



US00D832697S

(12) **United States Design Patent** (10) **Patent No.:** **US D832,697 S**
Adams, III (45) **Date of Patent:** **** Nov. 6, 2018**

(54) **CONTAINER FOR CATHETER AND GUIDE WIRE**

(71) Applicant: **GMAX Industries, Inc.**, Hauppauge, NY (US)

(72) Inventor: **Adam Edward Adams, III**, Naperville, IL (US)

(73) Assignee: **GMAX Industries, Inc.**, Hauppauge, NY (US)

(**) Term: **15 Years**

(21) Appl. No.: **29/583,078**

(22) Filed: **Nov. 2, 2016**

(51) **LOC (11) Cl.** **09-03**

(52) **U.S. Cl.**
USPC **D9/425**

(58) **Field of Classification Search**
USPC D7/396.1, 538-542, 602, 608, 629;
D9/414, 424-429, 432, 761; 206/499,
206/508, 557; 220/23.4, 23.6, 315, 500,
220/659, 669, 674, 675, 696, 752, 760,
220/790, 793; 229/105, 117.09, 117.26,
229/189, 406, 407, 902, 905
CPC ... B65D 1/34; B65D 1/36; B65D 1/40; B65D
25/04; B65D 43/00; B65D 43/02; B65D
81/34; B65D 81/3446; B65D 2543/00;
B65D 2581/34

See application file for complete search history.

(56) **References Cited**

U.S. PATENT DOCUMENTS

3,240,610 A *	3/1966	Cease	A47G 23/0683 126/390.1
D578,387 S *	10/2008	Lovett	D9/737
D591,174 S *	4/2009	Larson	D9/425
D601,040 S *	9/2009	Vovan	D9/425
D622,588 S *	8/2010	Wichmann	D9/424
D642,937 S *	8/2011	Birchmeier	D9/425
D643,310 S *	8/2011	Birchmeier	D9/425

* cited by examiner

Primary Examiner — Derrick E Holland

Assistant Examiner — Janice Patyk

(74) *Attorney, Agent, or Firm* — Vinson & Elkins LLP

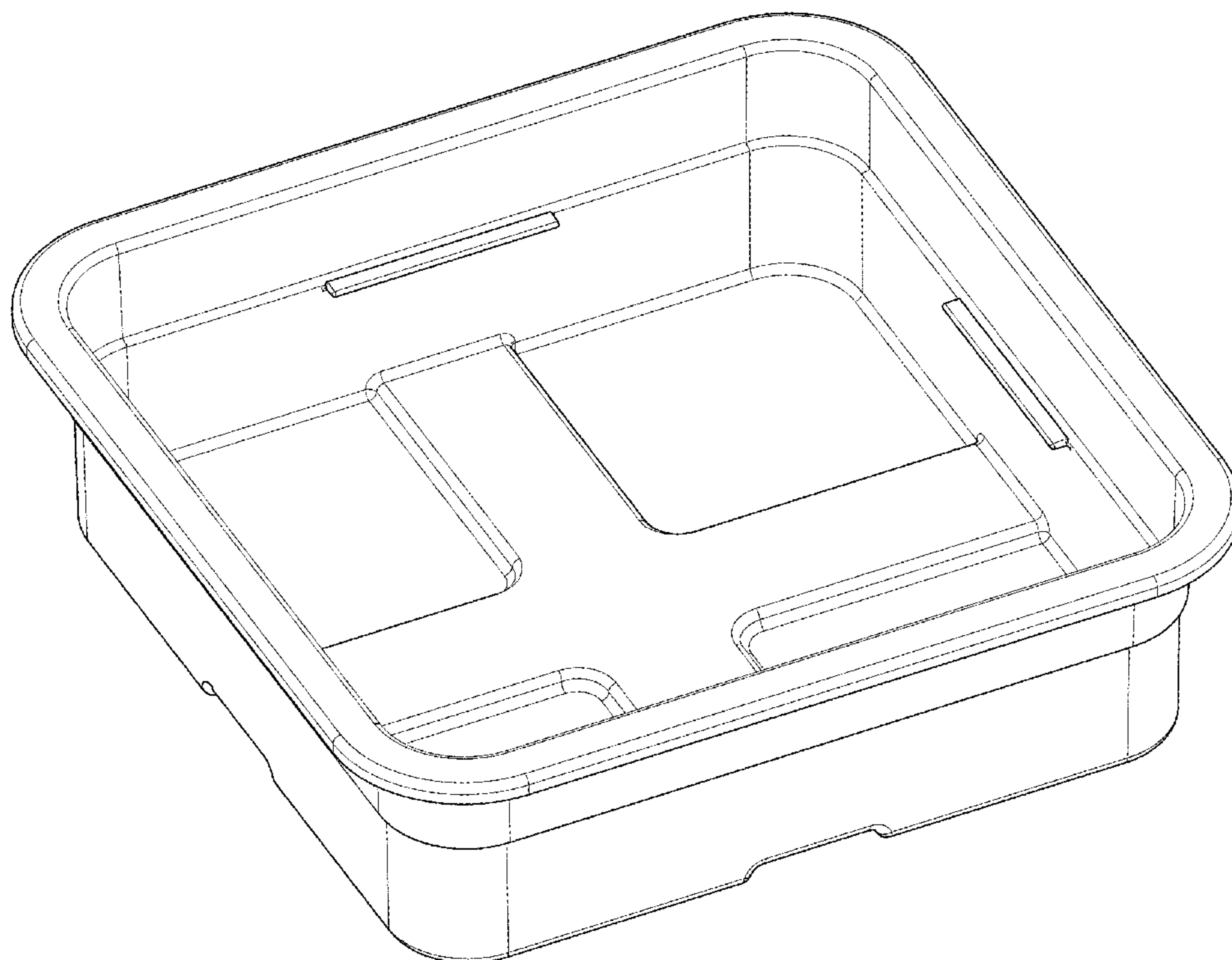
(57) **CLAIM**

The ornamental design for a container for catheter and guide wire, as shown and described.

DESCRIPTION

FIG. 1 is a top perspective view of a container for catheter and guide wire showing my new design;
FIG. 2 is a top plan view thereof;
FIG. 3 is a side view thereof, the other three sides being mirror images thereof; and,
FIG. 4 is a bottom plan view thereof.

1 Claim, 4 Drawing Sheets



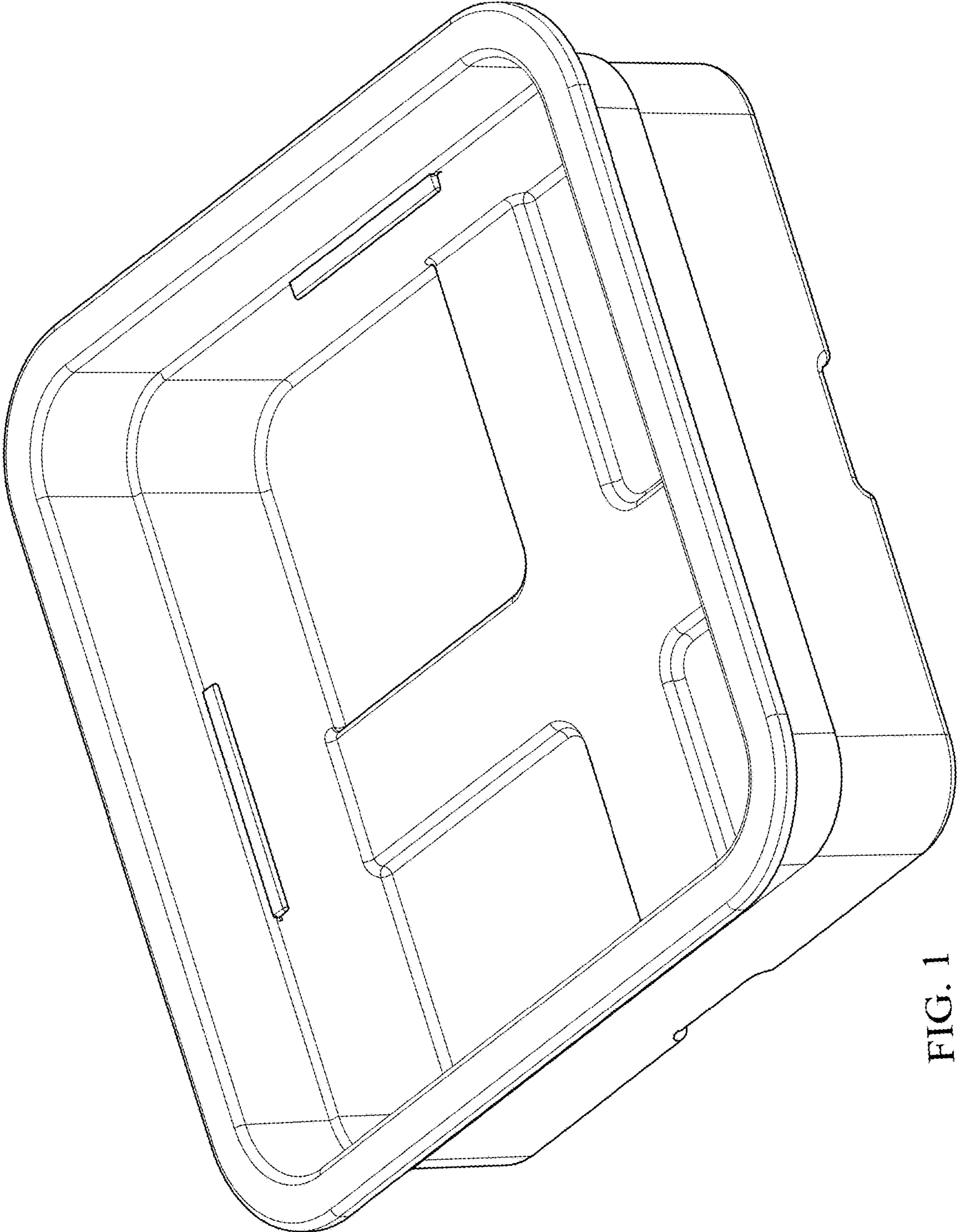


FIG. 1

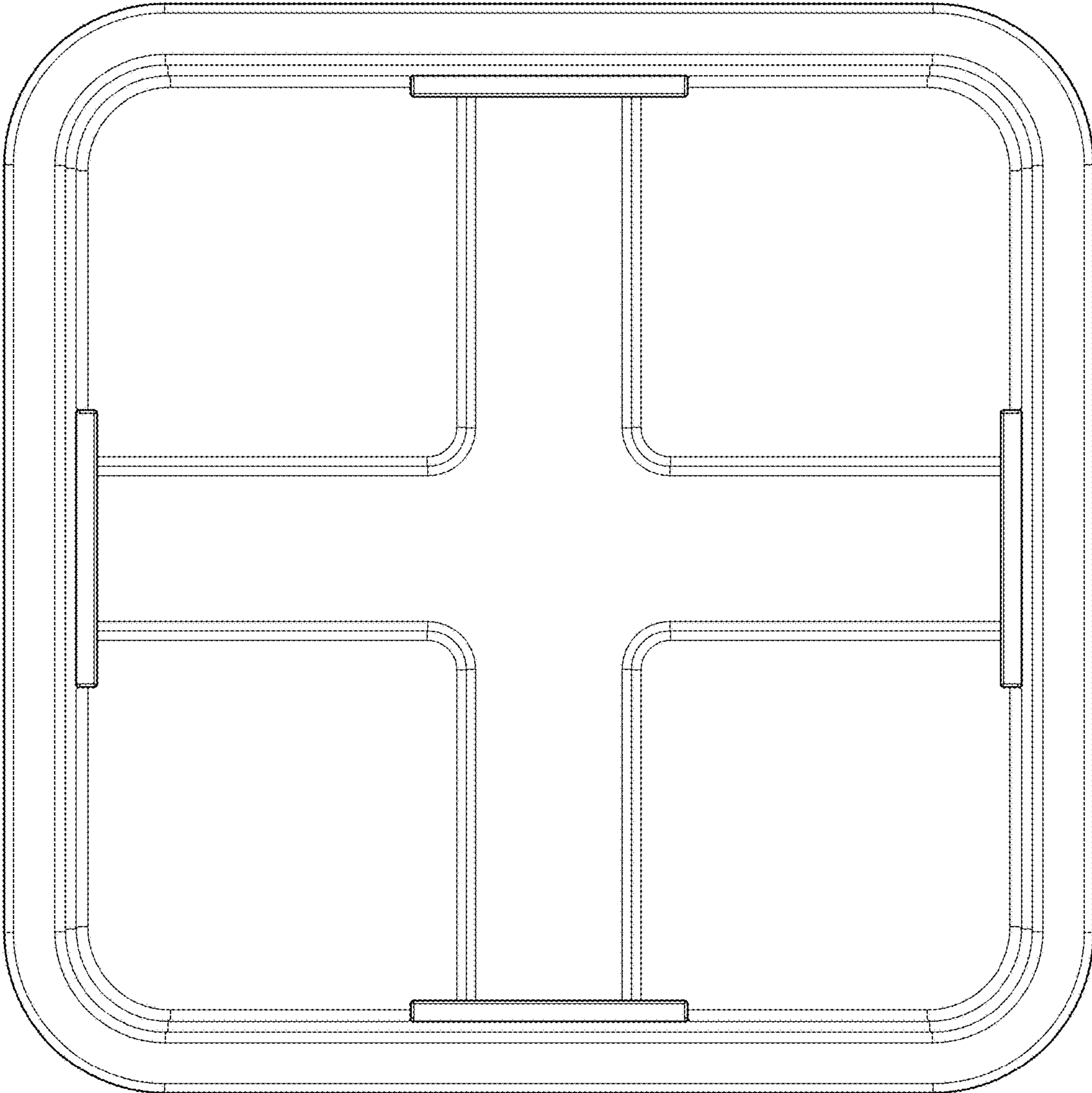


FIG. 2

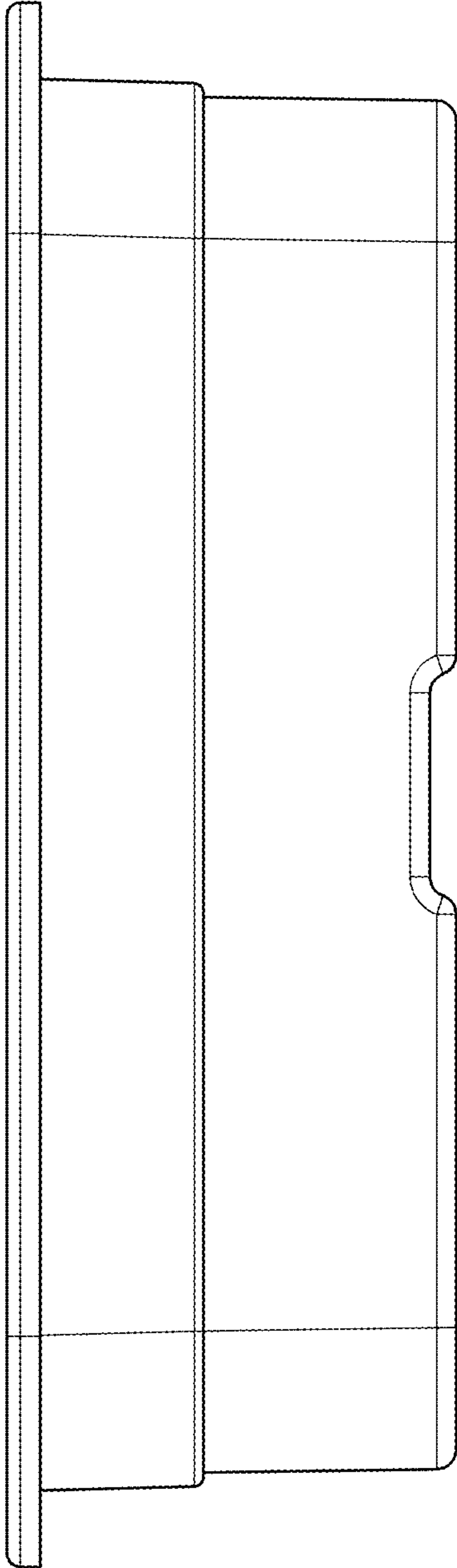


FIG. 3

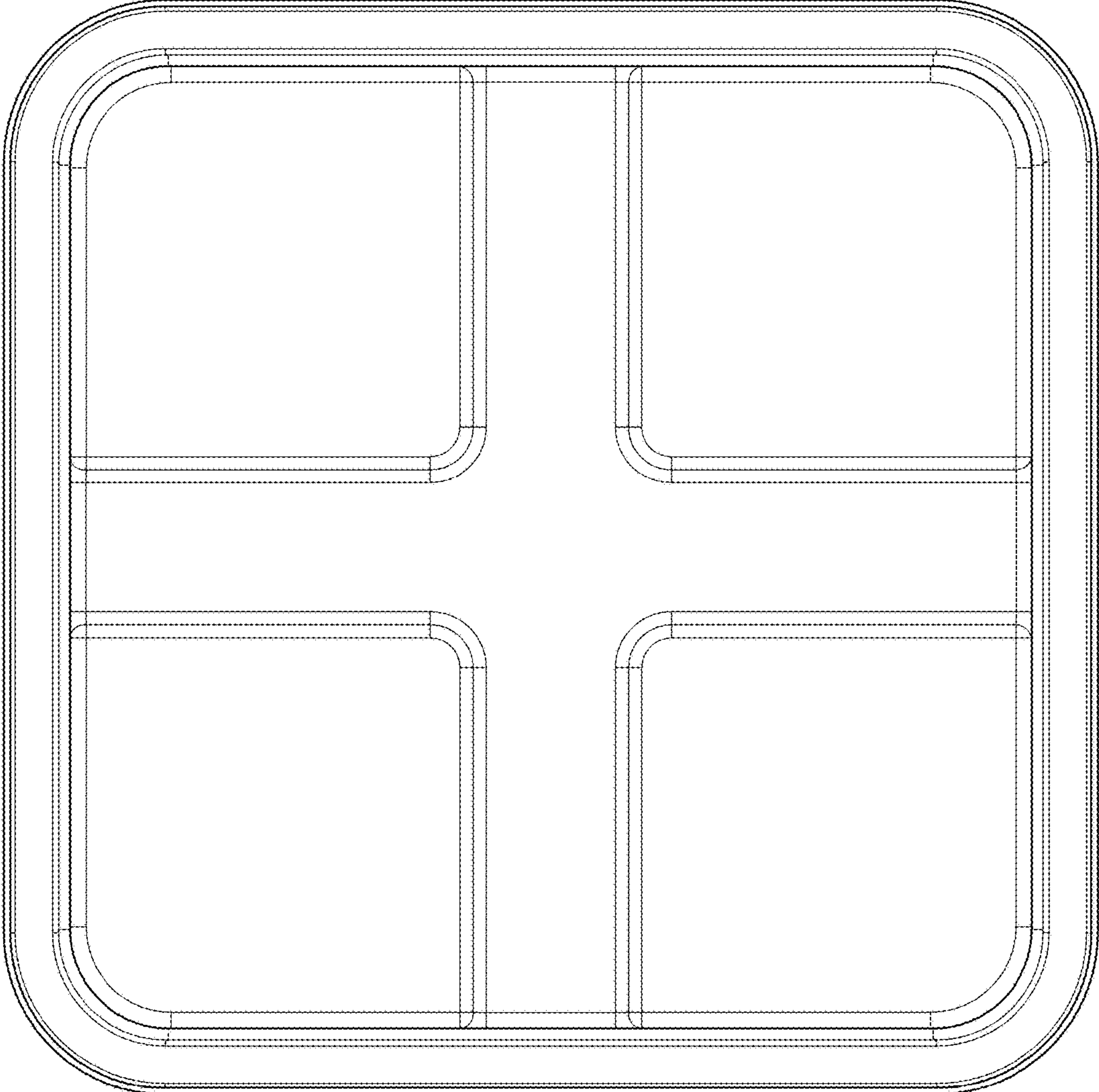


FIG. 4