



US00D832696S

(12) **United States Design Patent** (10) **Patent No.:** **US D832,696 S**
Balanevsky et al. (45) **Date of Patent:** **** Nov. 6, 2018**

(54) **JEWELRY BOX**

(71) Applicant: **Parker Square, Inc.**, New York, NY (US)

(72) Inventors: **Jonathan Balanevsky**, New York, NY (US); **Mei Hao Zheng**, Brooklyn, NY (US)

(73) Assignee: **Parker Square, Inc.**, New York, NY (US)

(**) Term: **15 Years**

(21) Appl. No.: **29/561,131**

(22) Filed: **Apr. 13, 2016**

(51) **LOC (11) Cl.** **09-03**

(52) **U.S. Cl.**
USPC **D9/423**

(58) **Field of Classification Search**
USPC D9/423, 414-418, 455, 721, 756, 435, D9/421, 420; D6/634, 329, 705; D28/83, 78; D5/22; D7/324, 631; D3/294, 276, 264, 301, 271.9; D24/227; D27/172; D19/92, 27; D99/34; D14/496, 132; 206/777, 541, 746, 495
CPC A49C 11/10; A49C 11/16; B65D 5/542; B65D 5/548; B65D 5/524
See application file for complete search history.

(56) **References Cited**

U.S. PATENT DOCUMENTS

- 2,647,624 A 8/1953 Sedgwick
- 2,657,793 A 11/1953 Goldshine
- D268,098 S * 3/1983 Brown D9/418
- D281,914 S * 12/1985 Sussman D28/83
- D281,915 S * 12/1985 Sussman D28/83
- D286,745 S * 11/1986 Forbes, Jr. D9/416
- 4,732,269 A * 3/1988 Roy A45C 11/16
206/495
- D319,785 S * 9/1991 Kilmartin, III D9/423

- D320,096 S * 9/1991 Gutierrez D28/83
- D331,350 S * 12/1992 Hing D7/324
- D333,264 S * 2/1993 Kaplan D3/264
- D335,752 S * 5/1993 De La Salud D99/34
- D335,819 S * 5/1993 Campbell D27/172
- D338,086 S * 8/1993 Roberts D28/78
- D345,101 S * 3/1994 Abrams D9/423
- D365,023 S * 12/1995 Abrams D9/423
- D390,778 S * 2/1998 Lee D3/271.9

(Continued)

Primary Examiner — Rhea Shields

(74) *Attorney, Agent, or Firm* — Stroock & Stroock & Lavan LLP

(57) **CLAIM**

The ornamental design for a jewelry box, as shown and described.

DESCRIPTION

FIG. 1 is a perspective view of a jewelry box constructed in accordance with an embodiment of the present invention in an open configuration;

FIG. 2 is a front view of the jewelry box of FIG. 1;

FIG. 3 is a right side view of the jewelry box of FIG. 1;

FIG. 4 is a back view of the jewelry box of FIG. 1;

FIG. 5 is a left side view of the jewelry box of FIG. 1;

FIG. 6 is a top view of the jewelry box of FIG. 1;

FIG. 7 is a bottom view of the jewelry box of FIG. 1;

FIG. 8 is a perspective view of the jewelry box of FIG. 1 in a closed configuration;

FIG. 9 is a front view of the jewelry box of FIG. 8;

FIG. 10 is a right side view of the jewelry box of FIG. 8;

FIG. 11 is a back view of the jewelry box of FIG. 8;

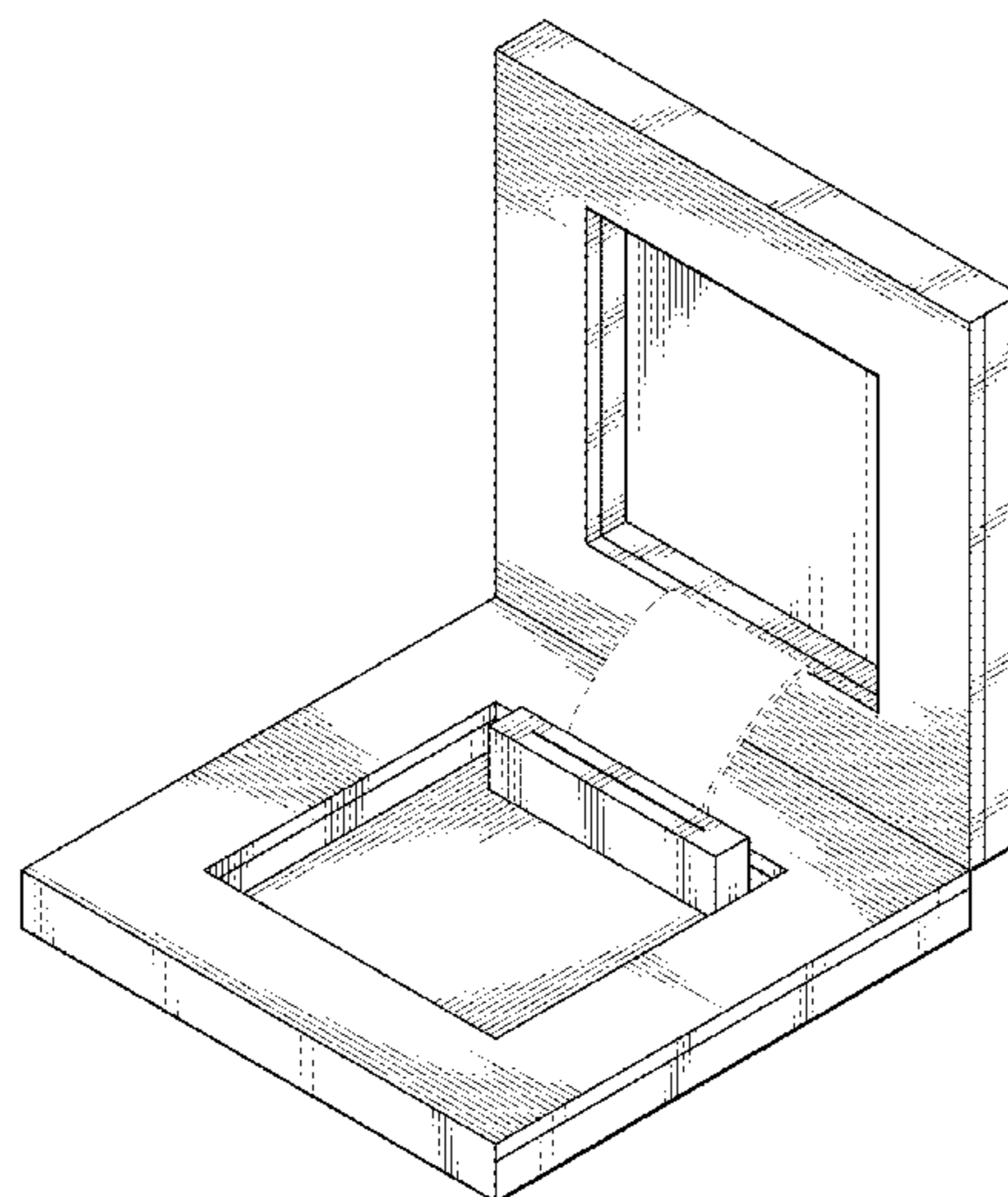
FIG. 12 is a left side view of the jewelry box of FIG. 8;

FIG. 13 is a top view of the jewelry box of FIG. 8; and,

FIG. 14 is a bottom view of the jewelry box of FIG. 8.

In the drawings, the broken lines are for the purpose of illustrating environment only and form no part of the claimed invention.

1 Claim, 14 Drawing Sheets



(56)

References Cited

U.S. PATENT DOCUMENTS

D396,004 S * 7/1998 Srinual D3/294
 D398,527 S * 9/1998 Maceachern D9/420
 5,979,661 A 11/1999 Sherman et al.
 D420,586 S * 2/2000 MacEachern D9/420
 D432,912 S * 10/2000 Lubineau-Bigot D9/416
 D439,508 S * 3/2001 Strunk D5/22
 D471,010 S * 3/2003 Wolf D3/294
 D479,912 S * 9/2003 Wolf D3/276
 6,719,143 B2 * 4/2004 Rice B65D 5/524
 206/746
 6,761,269 B2 * 7/2004 Hamming B65D 5/542
 206/777
 D516,389 S * 3/2006 Nix D7/631
 7,097,038 B2 * 8/2006 Kinigakis B65D 5/548
 206/541
 D566,192 S * 4/2008 Bhavnani D19/92
 D591,593 S * 5/2009 Stannard D9/756
 D606,394 S * 12/2009 Stewart D9/423
 D618,391 S * 6/2010 Moore D27/172

D643,306 S * 8/2011 Martinez D9/721
 D665,665 S * 8/2012 Seneca D9/418
 D668,141 S * 10/2012 Collins D9/423
 D668,143 S * 10/2012 Akana D14/496
 D669,692 S * 10/2012 Chen D6/329
 D670,111 S * 11/2012 McNamara D6/705
 D674,292 S * 1/2013 Klich D19/27
 D688,748 S * 8/2013 Nash D19/86
 D697,401 S * 1/2014 Kidd D9/421
 D716,649 S * 11/2014 McAdam D9/418
 D727,732 S * 4/2015 Petty D9/415
 D730,182 S * 5/2015 Leung D9/435
 D733,314 S * 6/2015 Lui D24/227
 D753,937 S * 4/2016 Gruber D6/634
 D768,493 S * 10/2016 Silverstein D9/455
 D779,208 S * 2/2017 Parker D3/301
 D786,803 S * 5/2017 Kim D13/168
 D792,758 S * 7/2017 Olayiwola D9/418
 D796,954 S * 9/2017 Lun D9/456
 D809,471 S * 2/2018 Dancsecs D14/132
 2011/0240492 A1 10/2011 Hinson et al.
 2012/0292227 A1 11/2012 Aykanian et al.

* cited by examiner

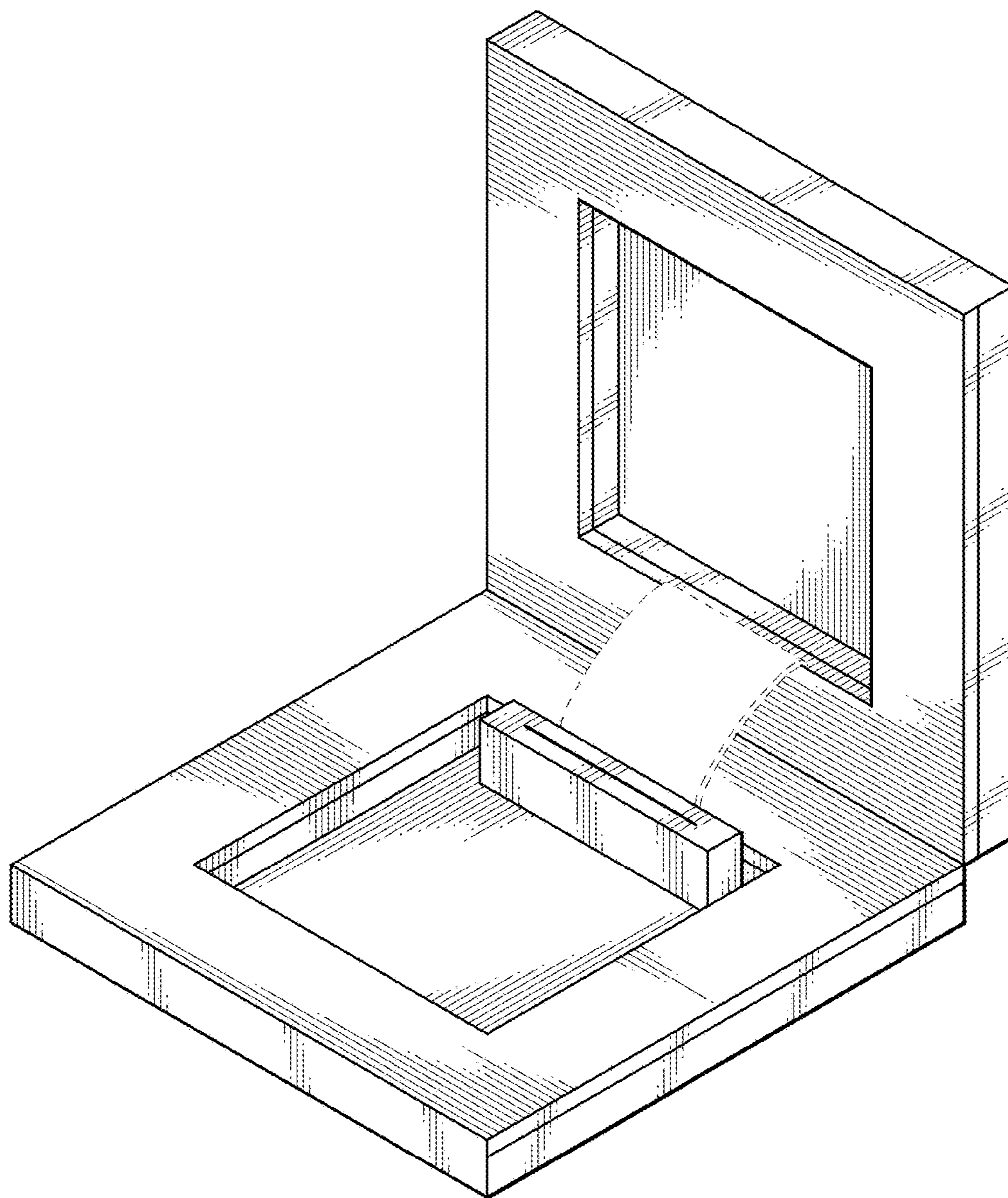


FIG. 1

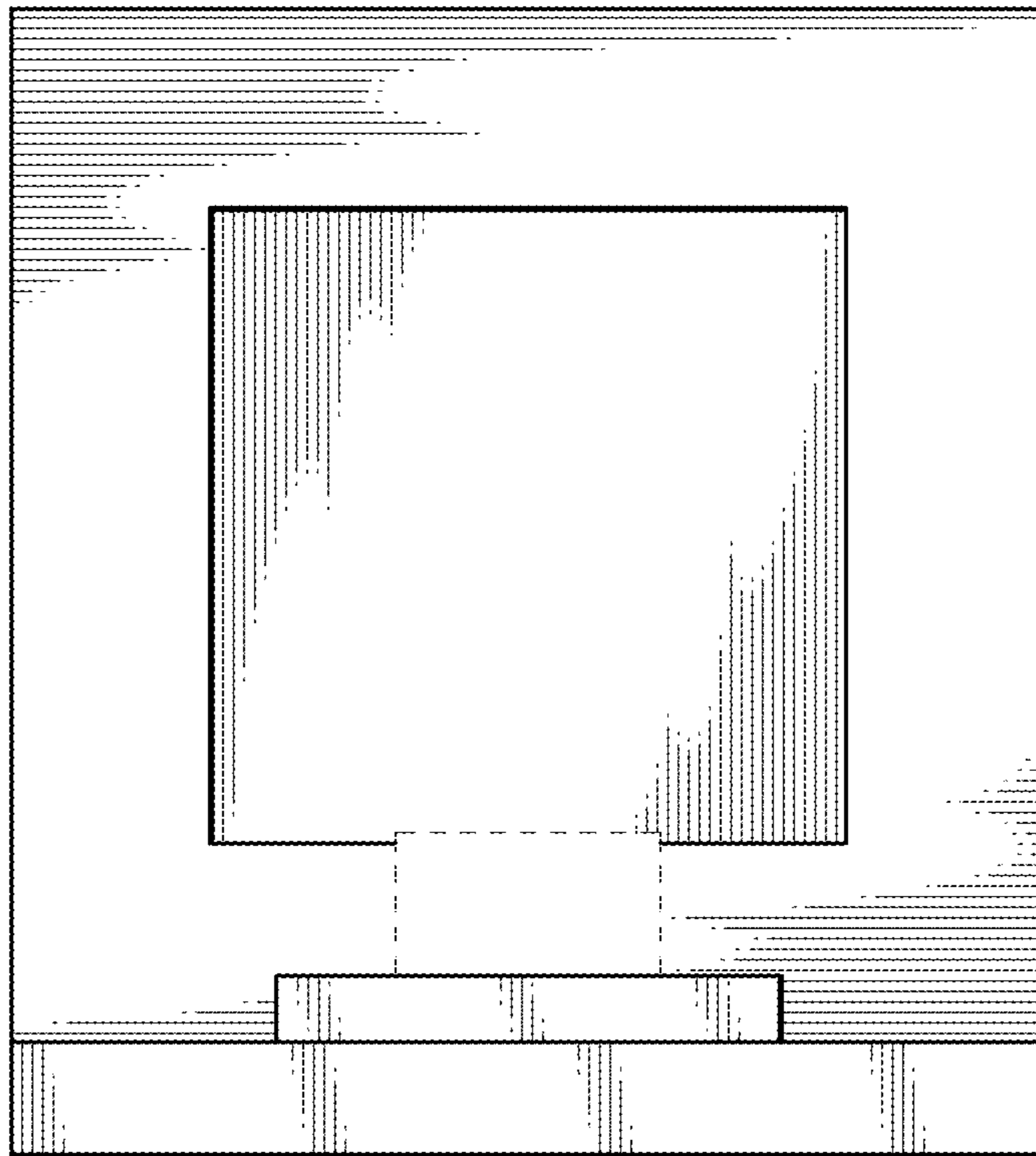


FIG. 2

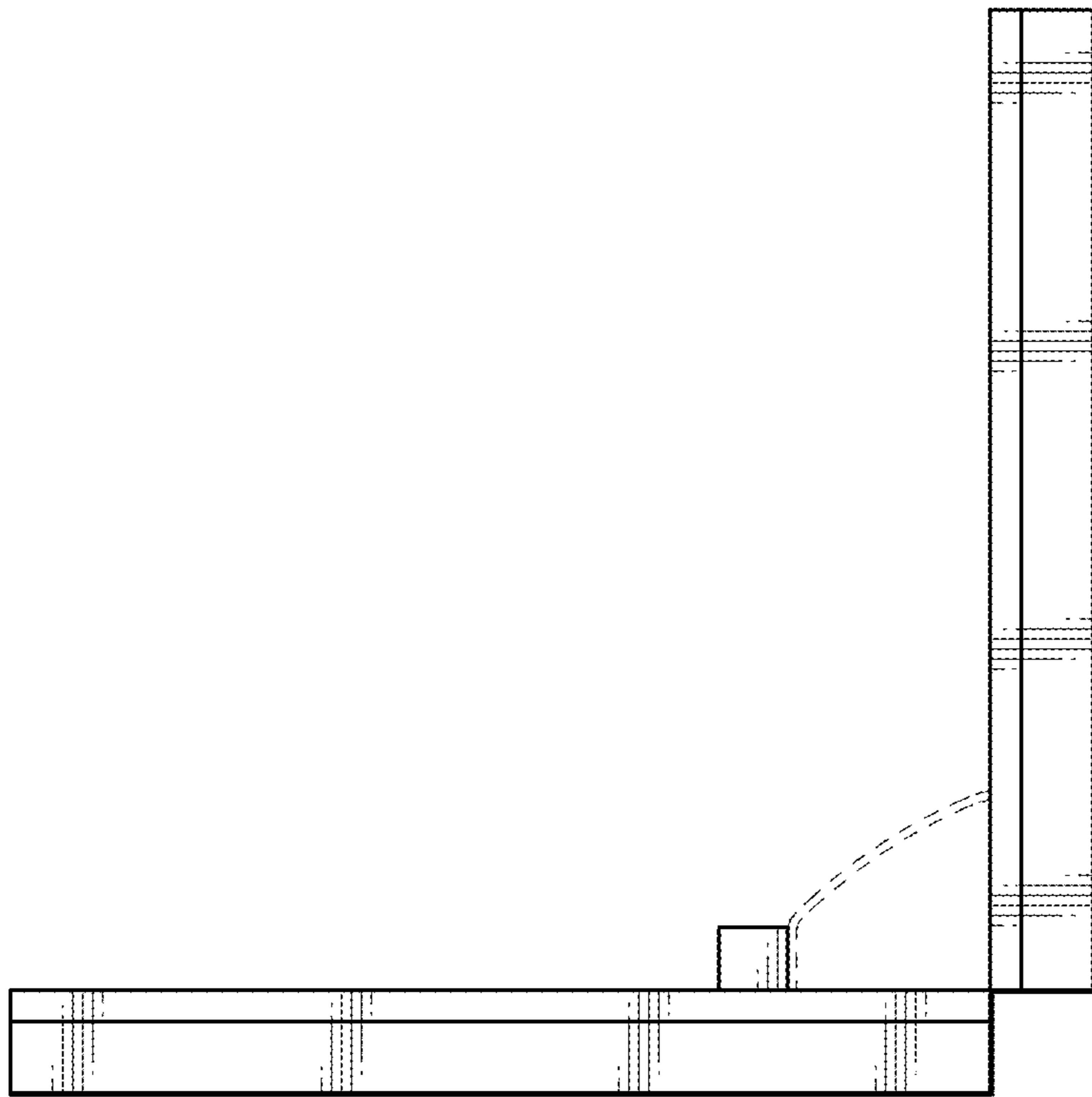


FIG. 3



FIG. 4

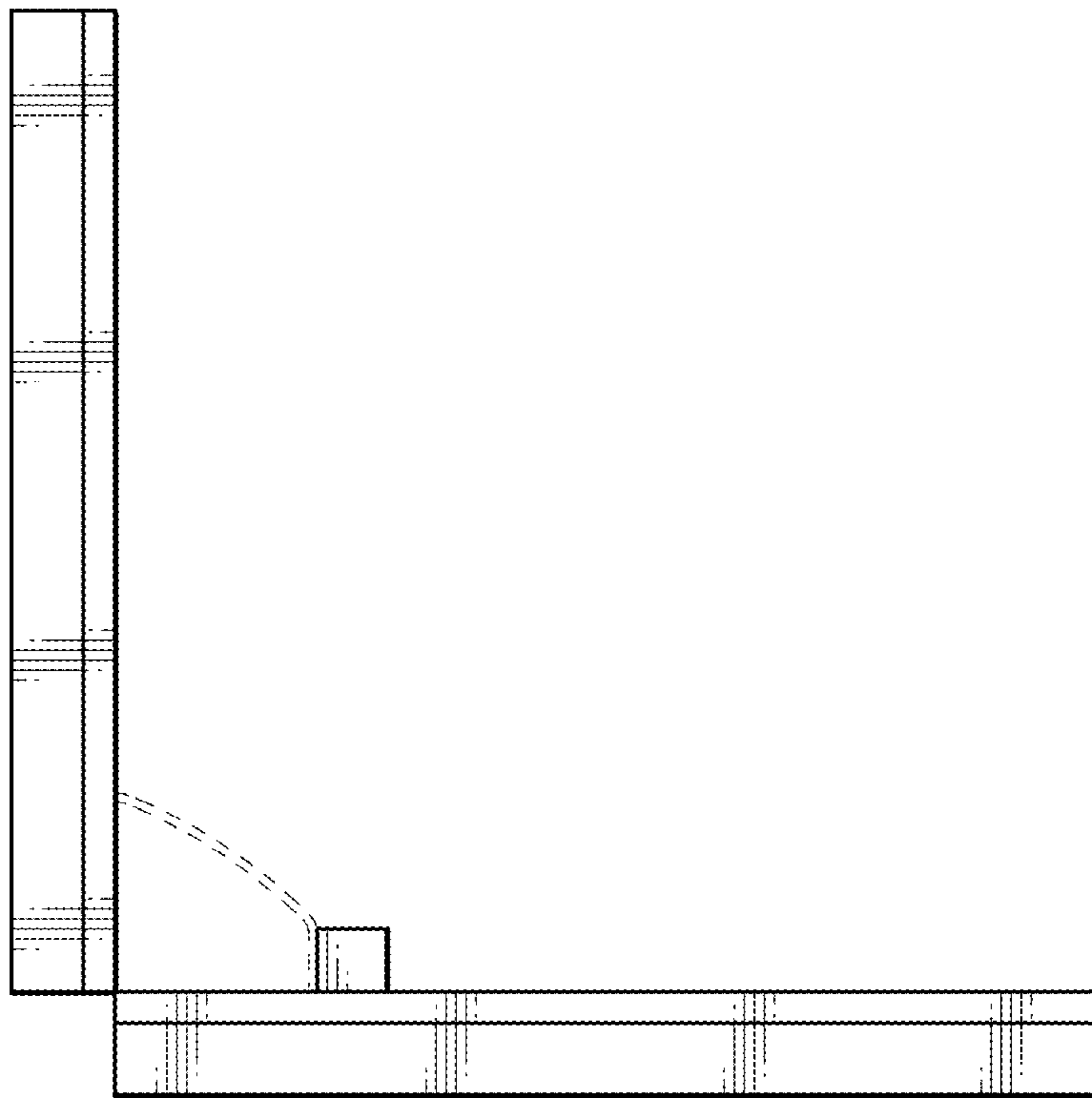


FIG. 5

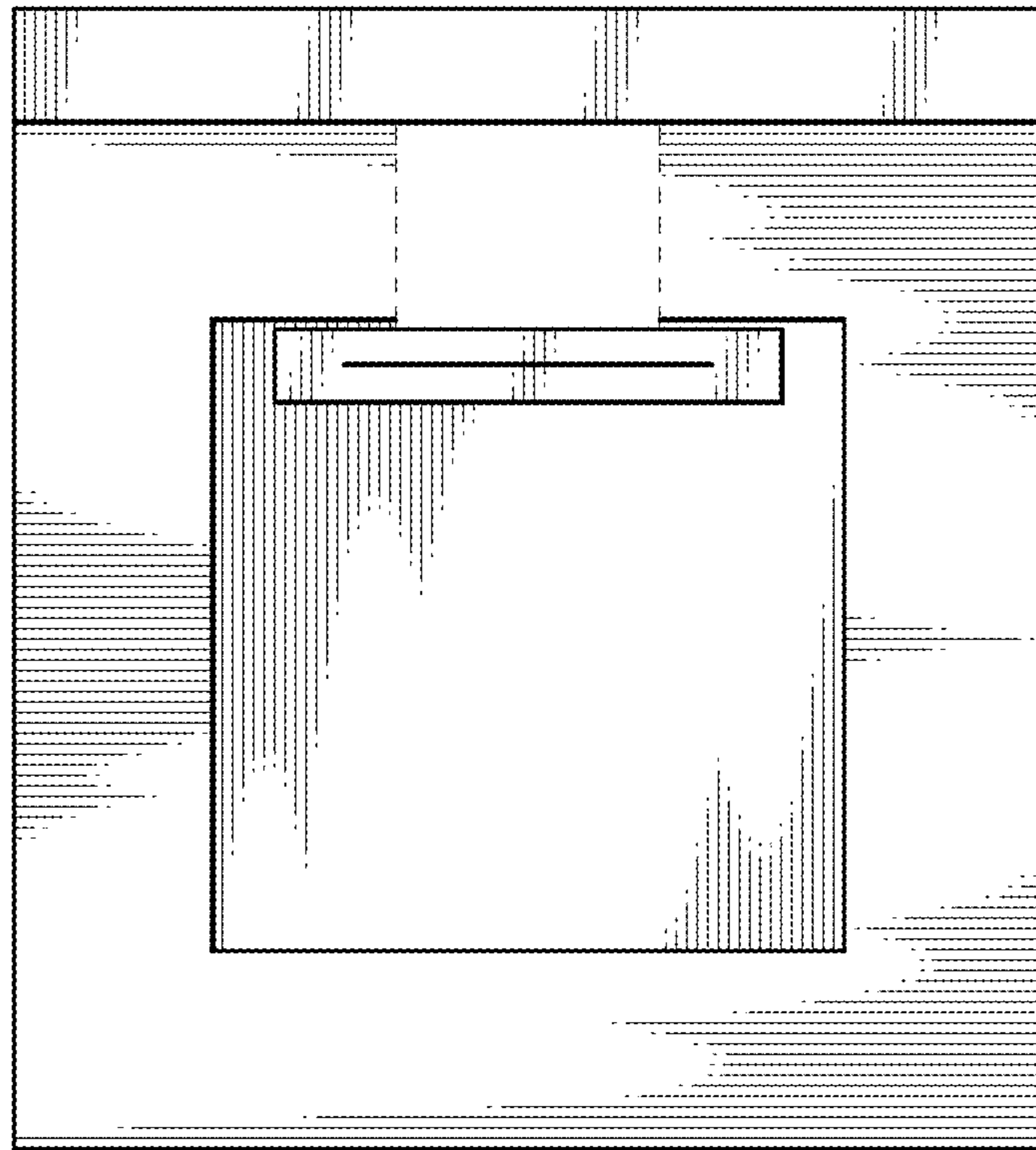


FIG. 6

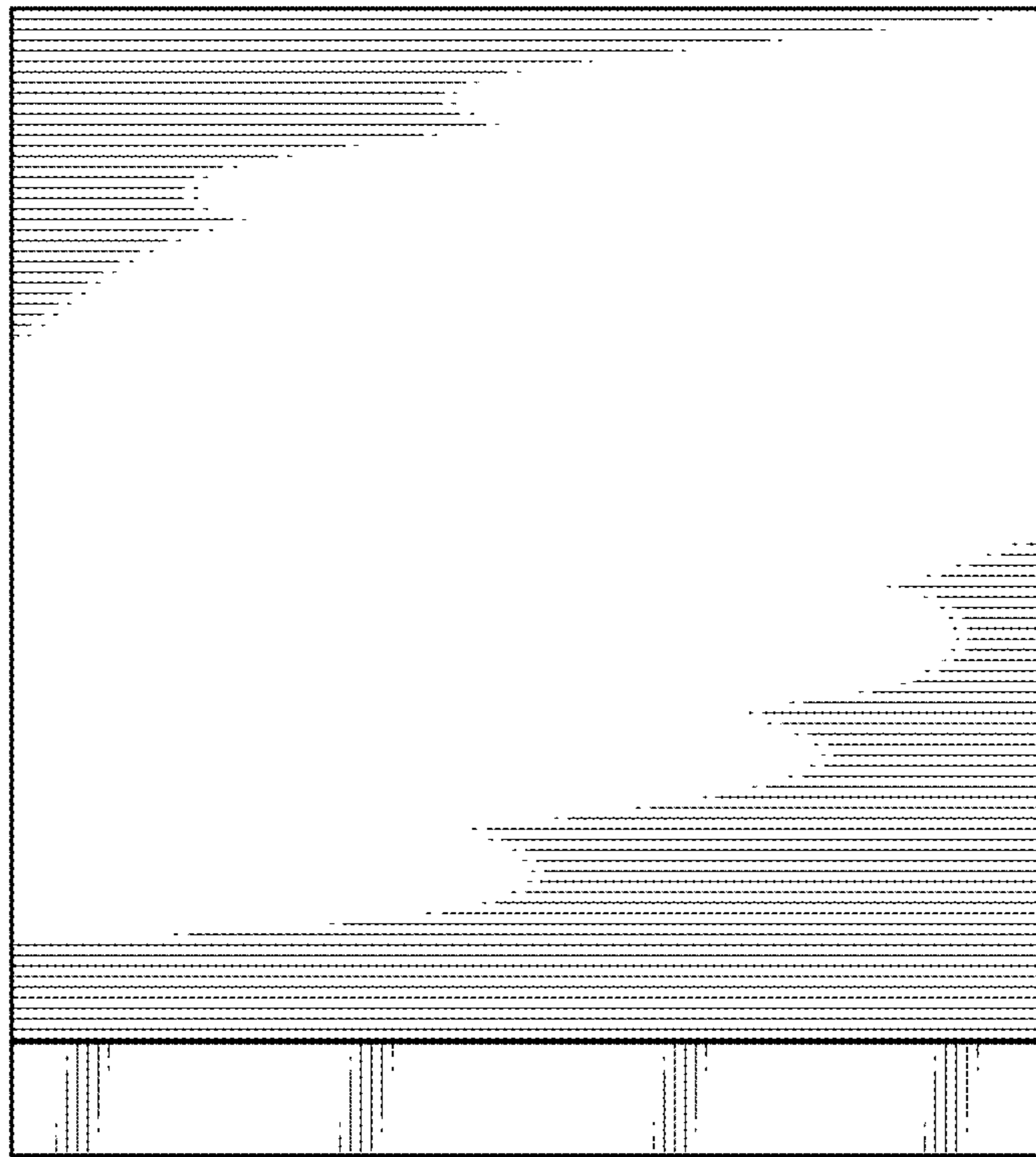


FIG. 7

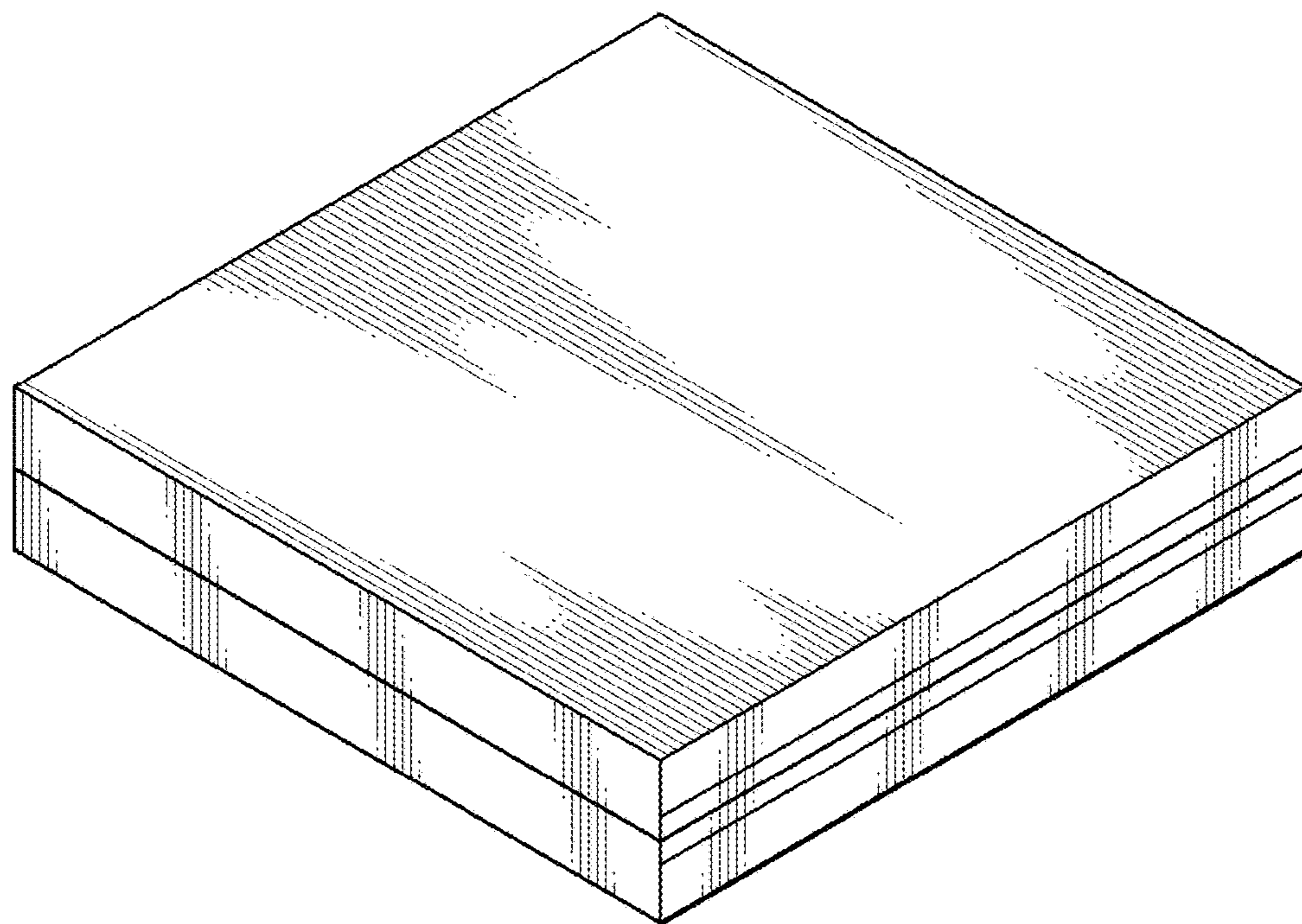


FIG. 8



FIG. 9

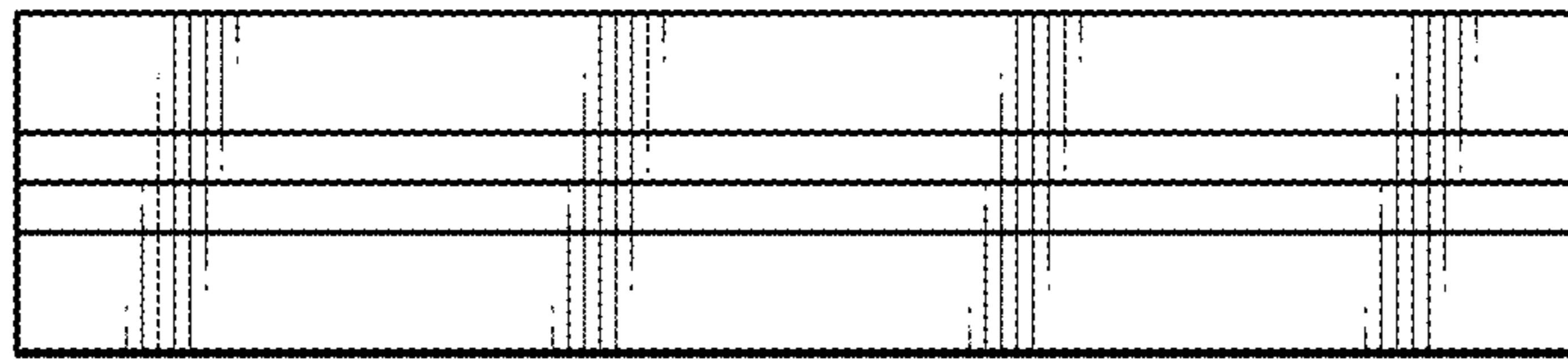


FIG. 10

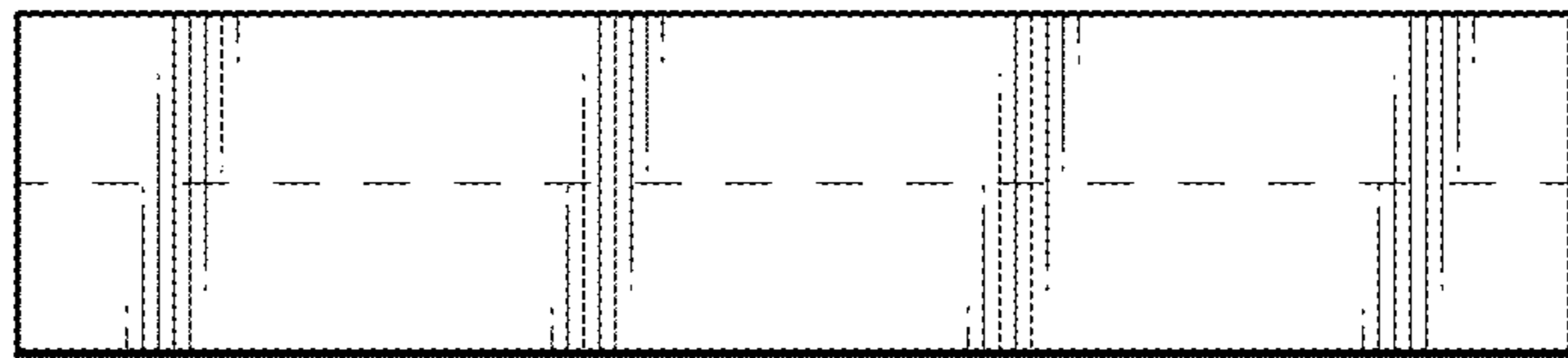


FIG. 11

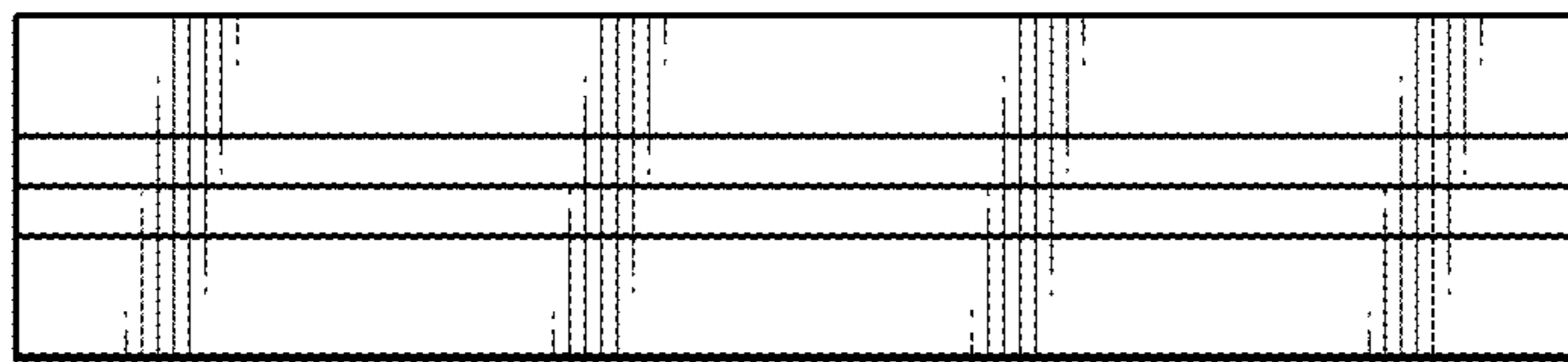


FIG. 12

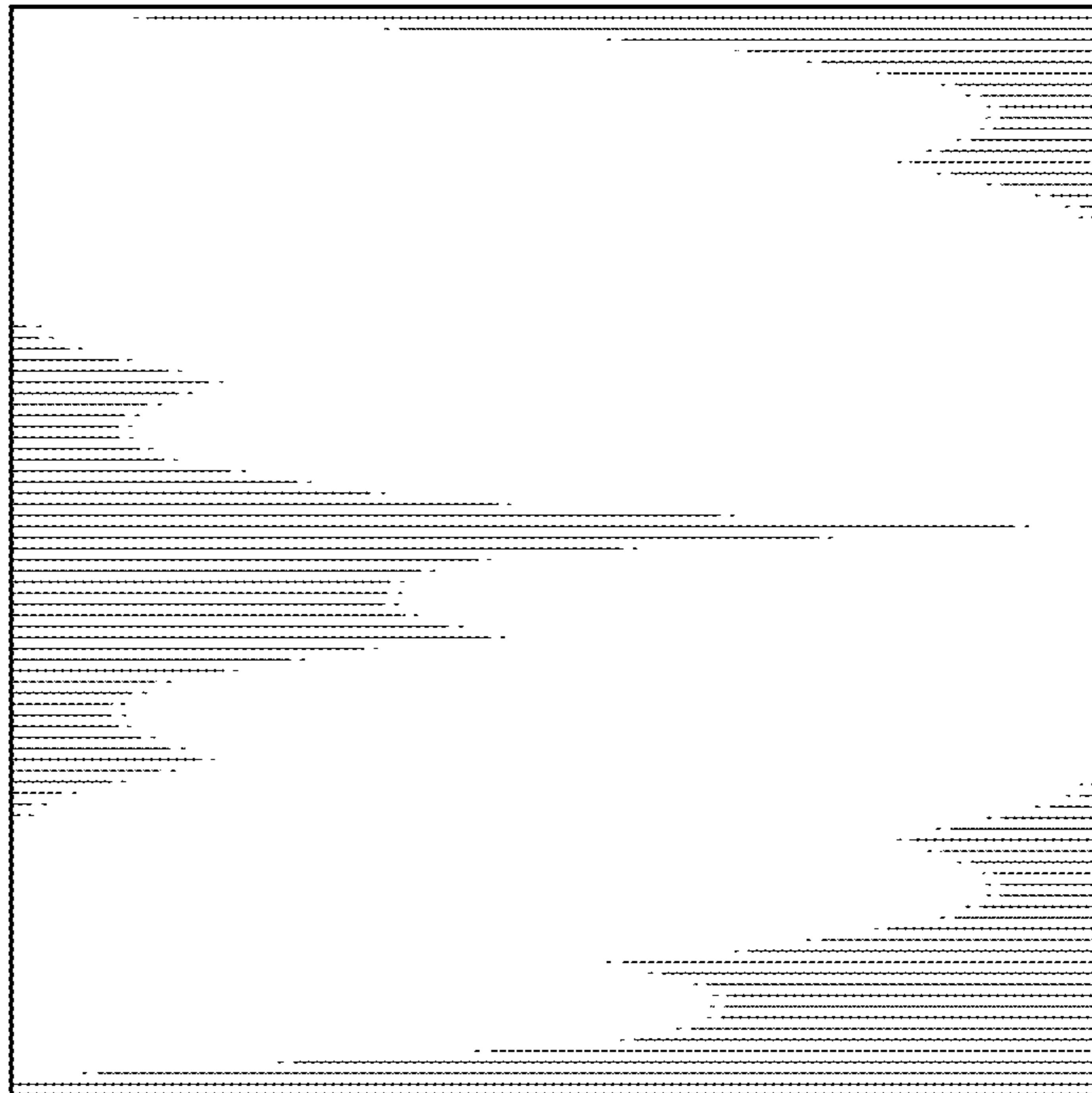


FIG. 13

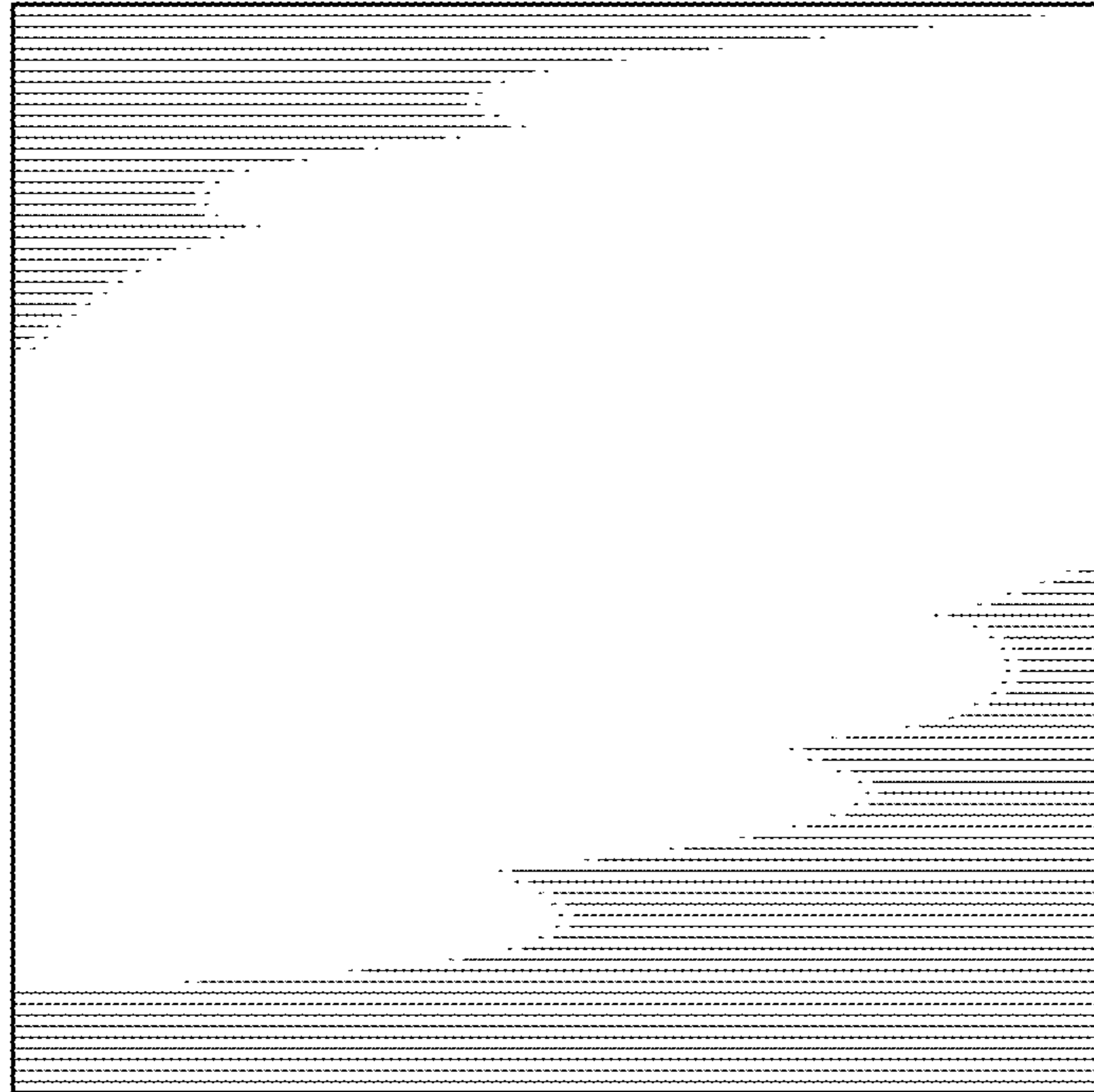


FIG. 14