



US00D832692S

(12) **United States Design Patent**
Wu et al.

(10) **Patent No.:** **US D832,692 S**

(45) **Date of Patent:** **** *Nov. 6, 2018**

(54) **FLAT CORD CLIP**

(71) Applicant: **Logitech Europe S.A.**, Lausanne (CH)

(72) Inventors: **Libao Wu**, Fremont, CA (US); **Michael Joseph Roy**, Portland, OR (US); **Jeremy David Baker**, Homestead, FL (US); **Olivier Gregoire**, Oakland, CA (US)

(73) Assignee: **LOGITECH EUROPE, S.A.**, Lausanne (CH)

(*) Notice: This patent is subject to a terminal disclaimer.

(**) Term: **15 Years**

(21) Appl. No.: **29/616,705**

(22) Filed: **Sep. 7, 2017**

(51) **LOC (11) Cl.** **08-08**

(52) **U.S. Cl.**
USPC **D8/383**

(58) **Field of Classification Search**
USPC D8/71, 349, 354, 356, 382, 383, 394, D8/499; D11/218
CPC F16G 11/00; F16G 11/02; F16G 11/103; F16G 11/046; F16G 11/048; F16G 11/105;

(Continued)

(56) **References Cited**

U.S. PATENT DOCUMENTS

- 3,008,208 A * 11/1961 Stephan F16G 11/02 16/108
- 3,184,817 A * 5/1965 Archer nee Chesnais F16G 11/02 174/94 R
- 3,204,310 A * 9/1965 Rohland F16G 11/02 174/94 R

(Continued)

Primary Examiner — Sandra S Snapp

Assistant Examiner — Ieisha N Price

(74) *Attorney, Agent, or Firm* — Patterson & Sheridan, LLP

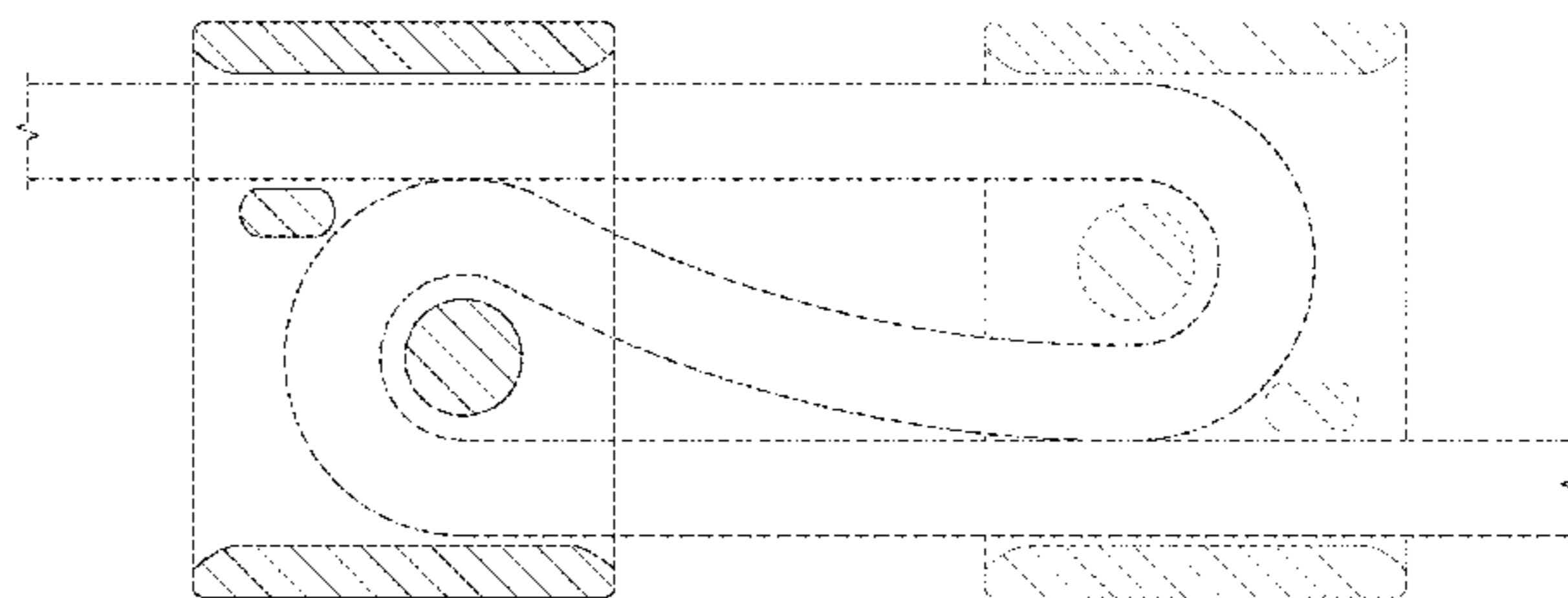
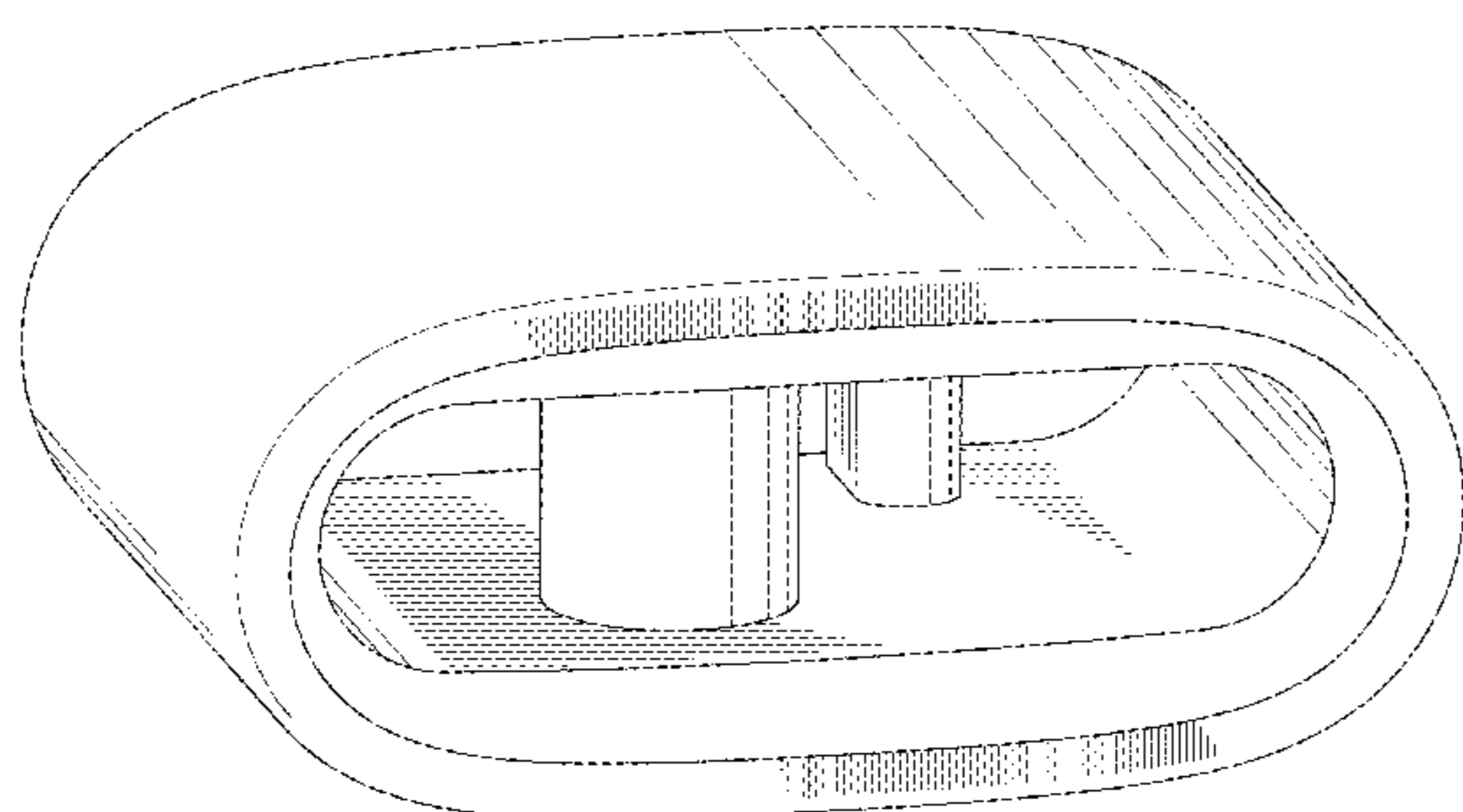
(57) **CLAIM**

The ornamental design for a flat cord clip, as shown and described.

DESCRIPTION

FIG. 1 is a top isometric view of a flat cord clip according to an embodiment disclosed herein;
 FIG. 2 is a bottom isometric view of a flat cord clip according to an embodiment disclosed herein;
 FIG. 3 is a top plan view of a flat cord clip according to an embodiment disclosed herein;
 FIG. 4 is a bottom plan view of a flat cord clip according to an embodiment disclosed herein;
 FIG. 5 is a front elevation view of a flat cord clip according to an embodiment disclosed herein;
 FIG. 6 is a side elevation view of a flat cord clip according to an embodiment disclosed herein;
 FIG. 7 is a front cross-sectional view of a flat cord clip, taken along line 7-7 of FIG. 3, according to an embodiment disclosed herein;
 FIG. 8 is a side cross-sectional view of a flat cord clip, taken along line 8-8 of FIG. 3, according to an embodiment disclosed herein;
 FIG. 9 is a side cross-sectional view of a flat cord clip, taken along line 9-9 of FIG. 3, according to an embodiment disclosed herein;
 FIG. 10 is a top cross-sectional view of a flat cord clip, taken along line 10-10 of FIG. 5, according to an embodiment disclosed herein;
 FIG. 11 is a bottom cross-sectional view of a flat cord clip, taken along line 11-11 of FIG. 5, according to an embodiment disclosed herein; and,
 FIG. 12 is an environmental view of a flat cord clip according to an embodiment disclosed herein.
 The broken lines are directed to the unclaimed cord and are presented to illustrate an environmental structure in which the flat cord clip can be positioned. The broken lines form no part of the design to be patented.

1 Claim, 12 Drawing Sheets



(58) **Field of Classification Search**

CPC Y10T 24/39; Y10T 24/3971; Y10T
24/3713; Y10T 24/44222

See application file for complete search history.

(56) **References Cited**

U.S. PATENT DOCUMENTS

3,242,545 A * 3/1966 Sahm D07B 9/00
403/300
3,473,199 A * 10/1969 Rohland F16G 11/02
24/129 W
3,490,106 A * 1/1970 Dohmeier F16G 11/02
24/129 W
D452,185 S * 12/2001 Yoshiguchi D11/218
D584,132 S * 1/2009 Judd D8/356
7,882,600 B2 * 2/2011 Judd B65H 75/36
24/115 R
D633,377 S * 3/2011 Chan D8/383
D648,685 S * 11/2011 Symons D13/155
D649,907 S * 12/2011 Kataguchi D11/218
D683,263 S * 5/2013 Paik D11/218
D686,059 S * 7/2013 Paik D8/356
D731,296 S * 6/2015 Nelson D8/356
D731,921 S * 6/2015 Kung D11/218
D738,255 S * 9/2015 Hortnagl D11/218
D759,467 S * 6/2016 Franta D8/356
D763,671 S * 8/2016 Sizelove D8/394
D775,937 S * 1/2017 Davis D8/356
D790,779 S * 6/2017 Javornick D11/231
D804,937 S * 12/2017 Paik D8/356
D807,161 S * 1/2018 Whitaker D8/394
2009/0282653 A1 * 11/2009 Yang A43C 7/00
24/129 R

* cited by examiner

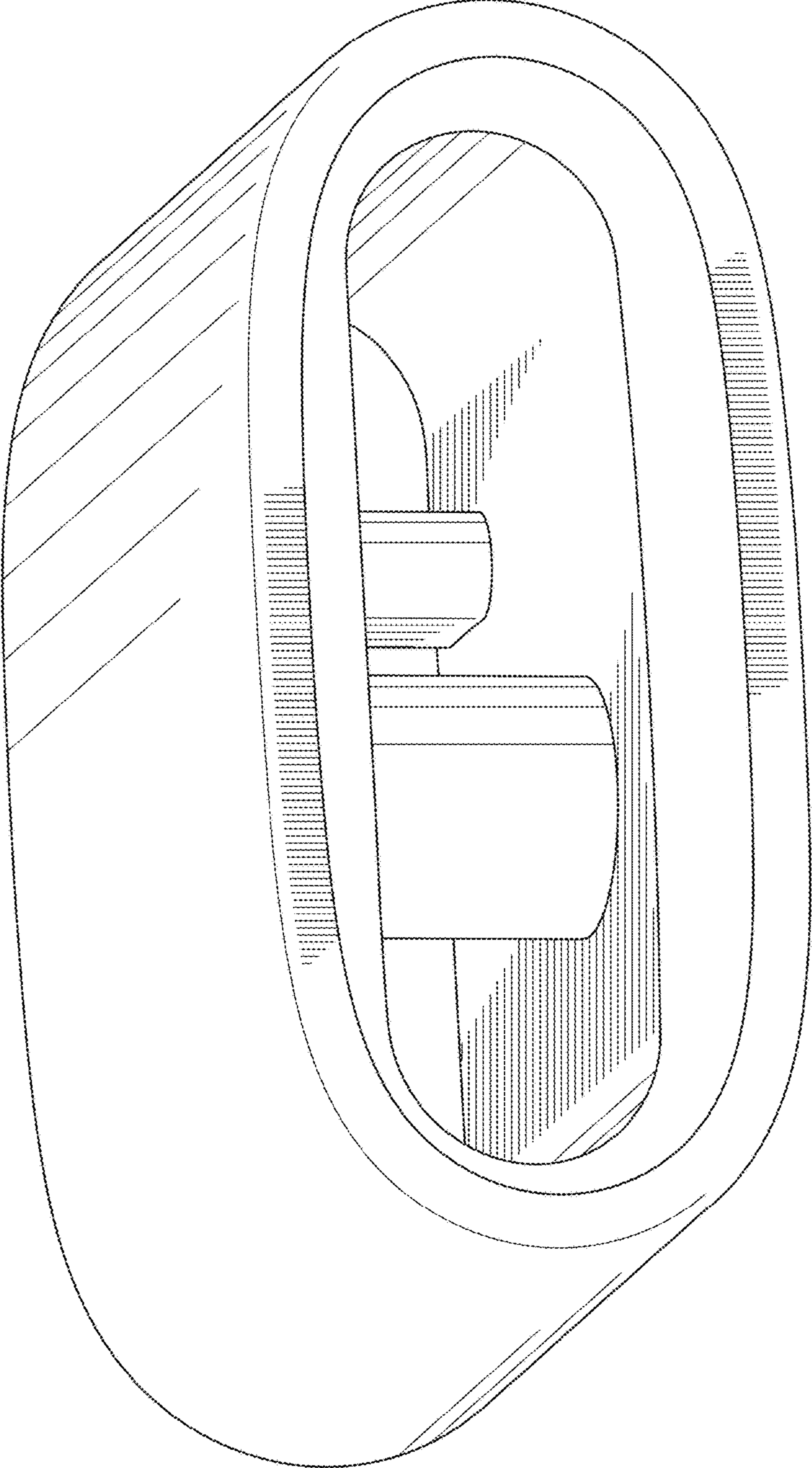


Fig. 1

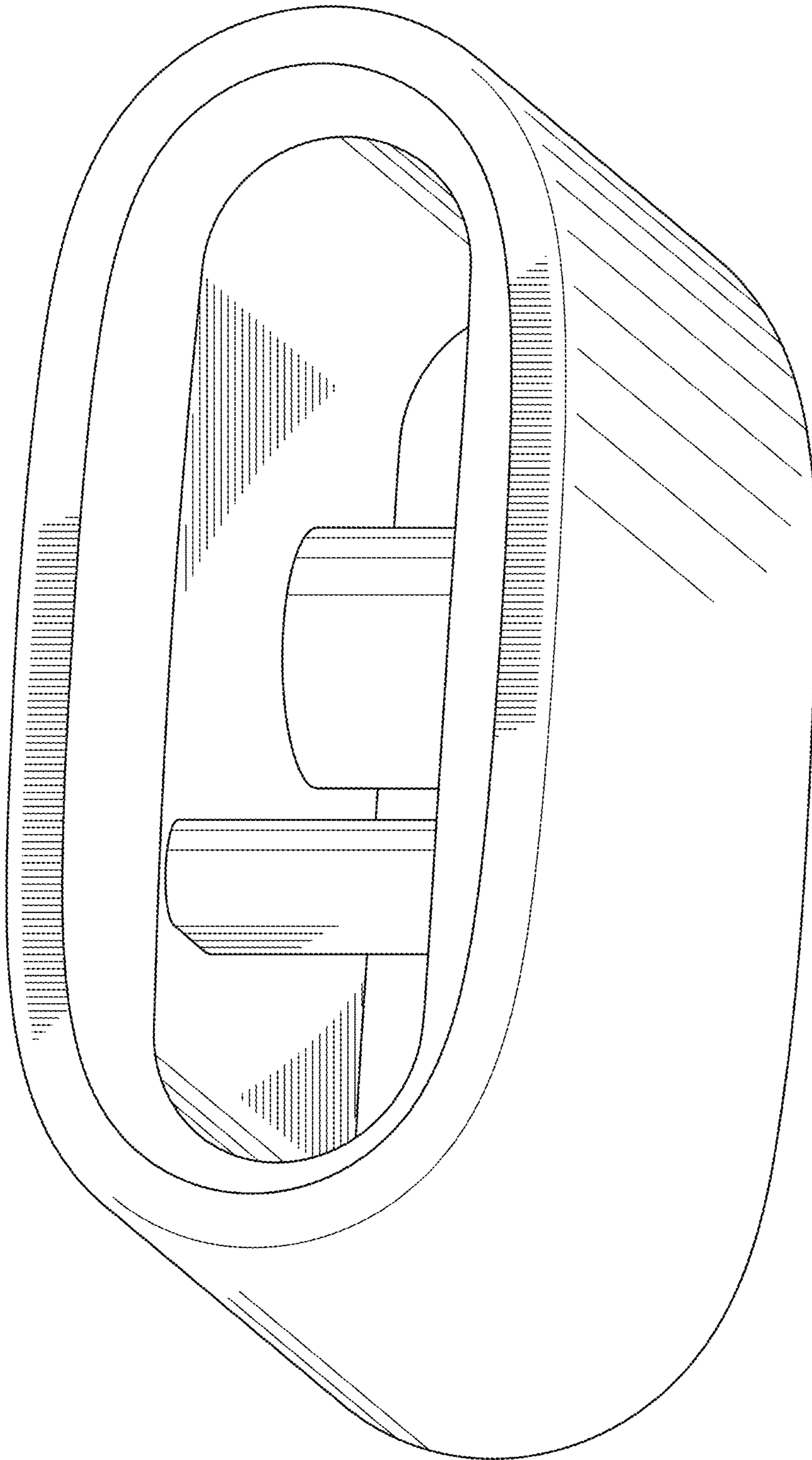


Fig. 2

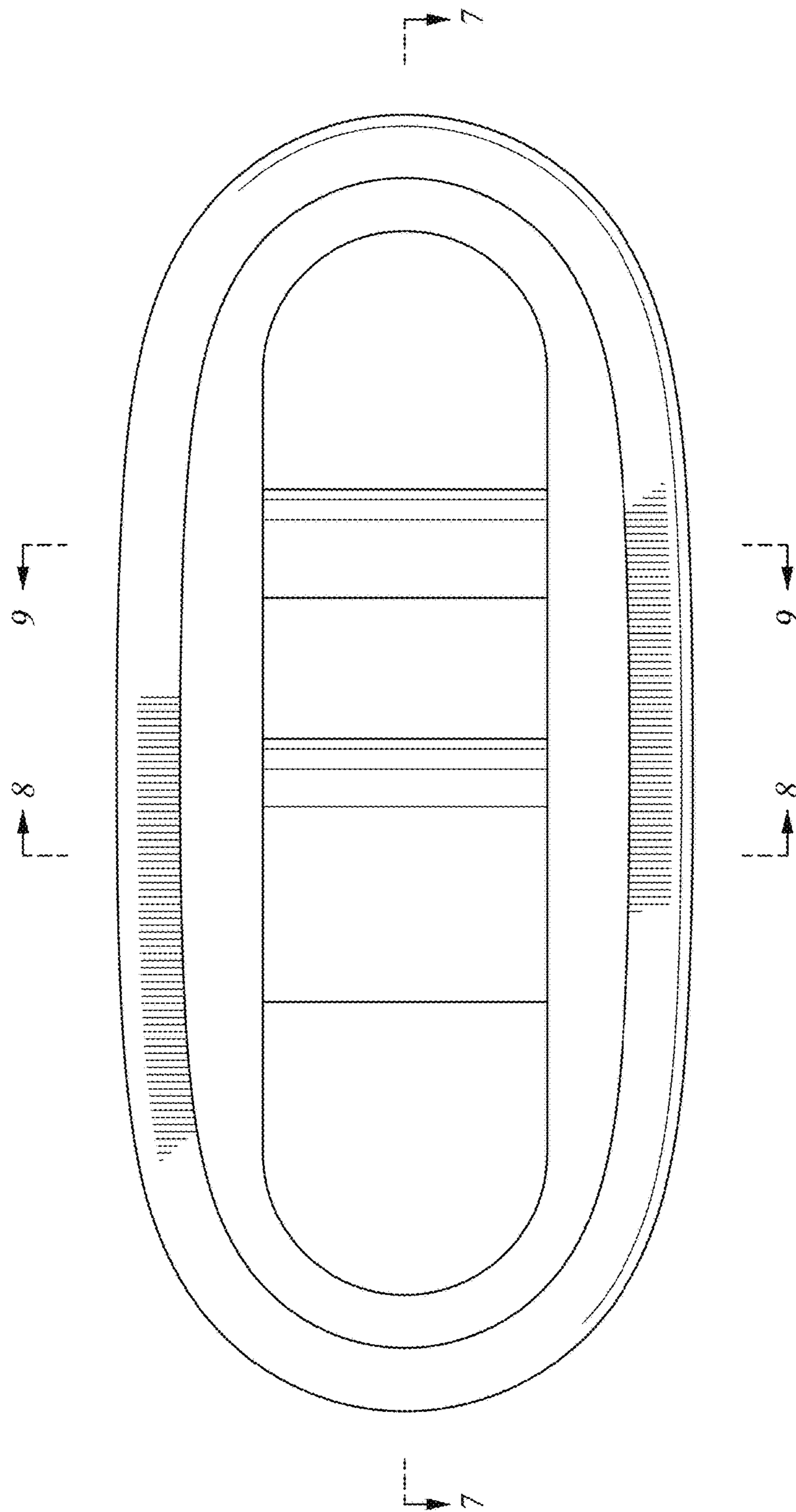


Fig. 3

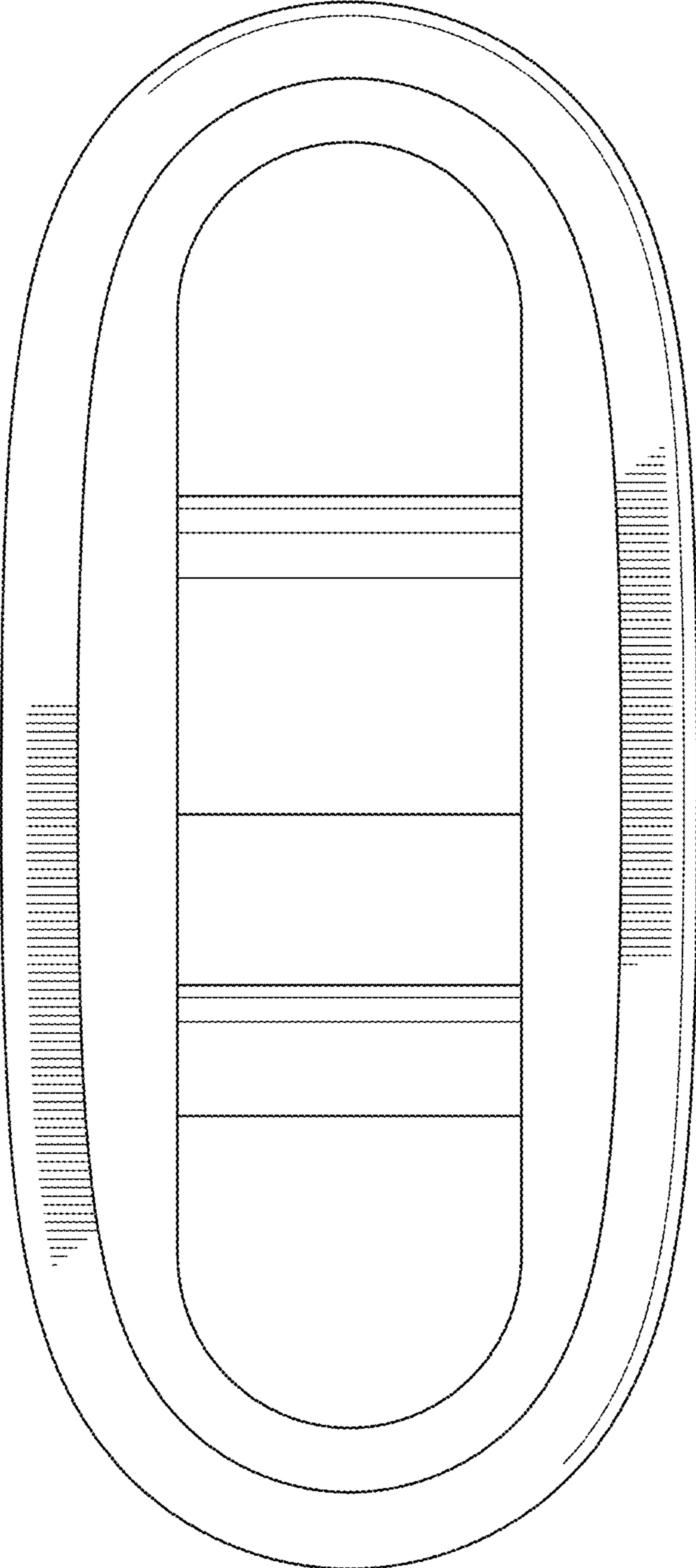


Fig. 4

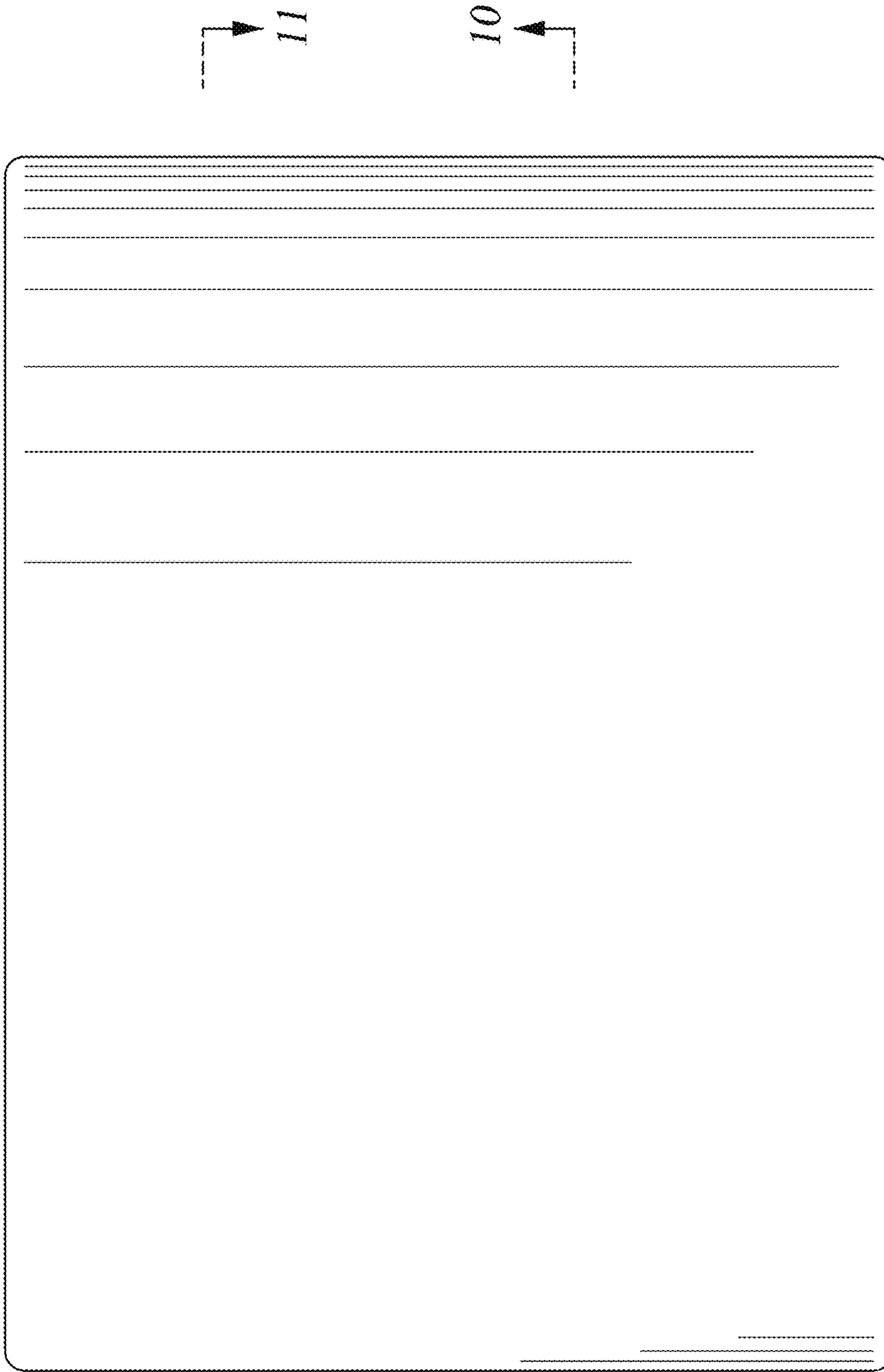


Fig. 5

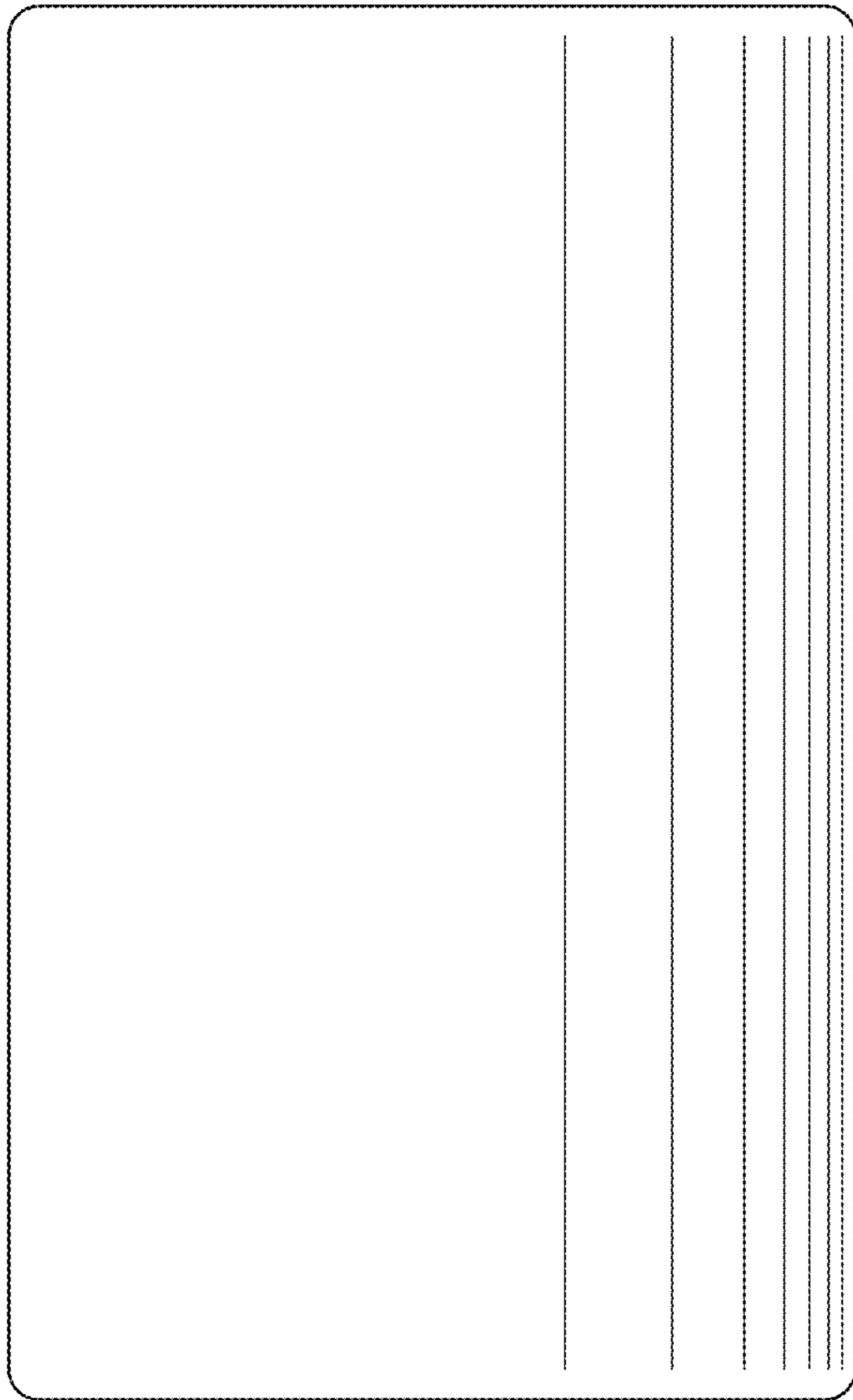


Fig. 6

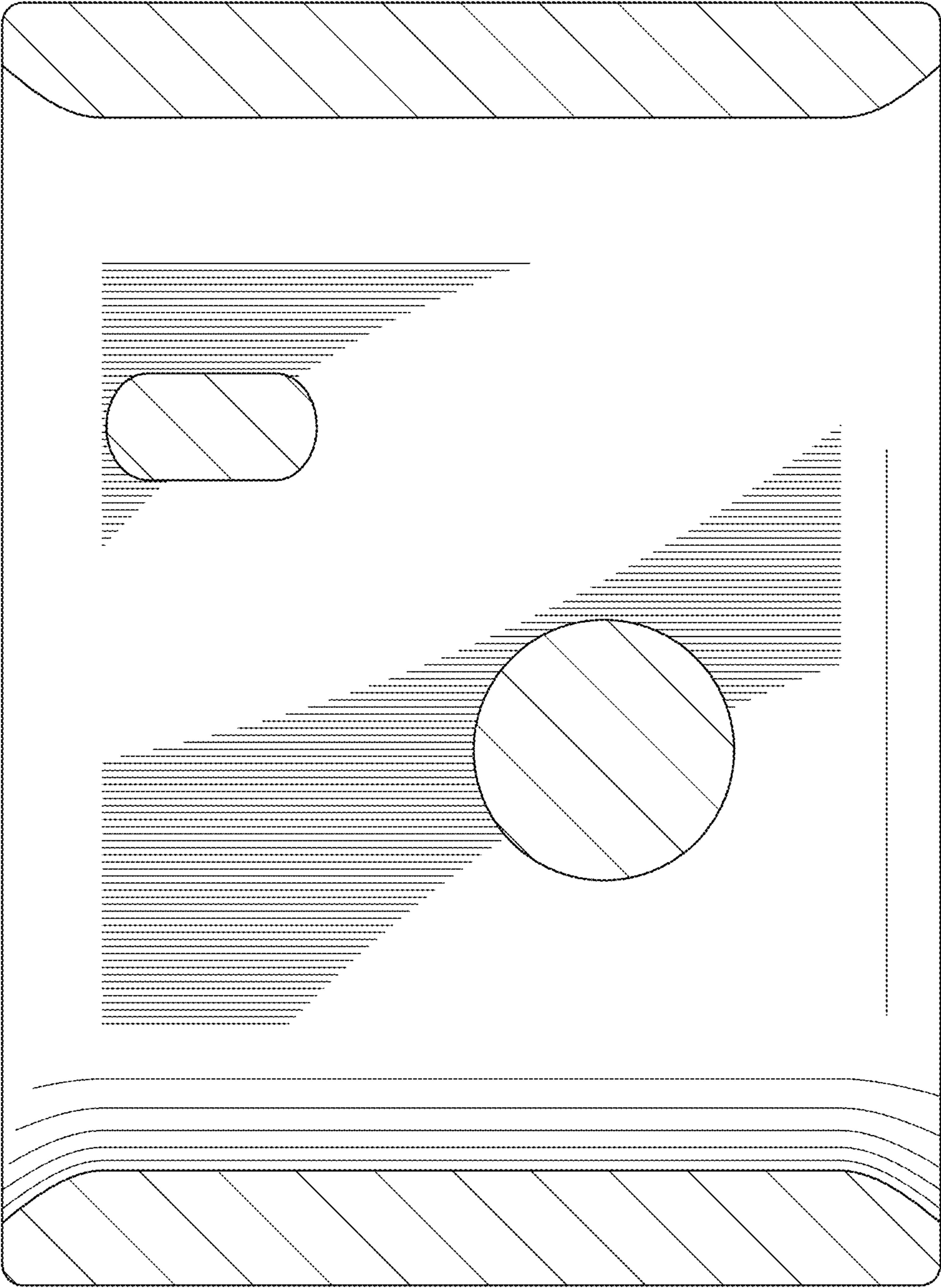


Fig. 7

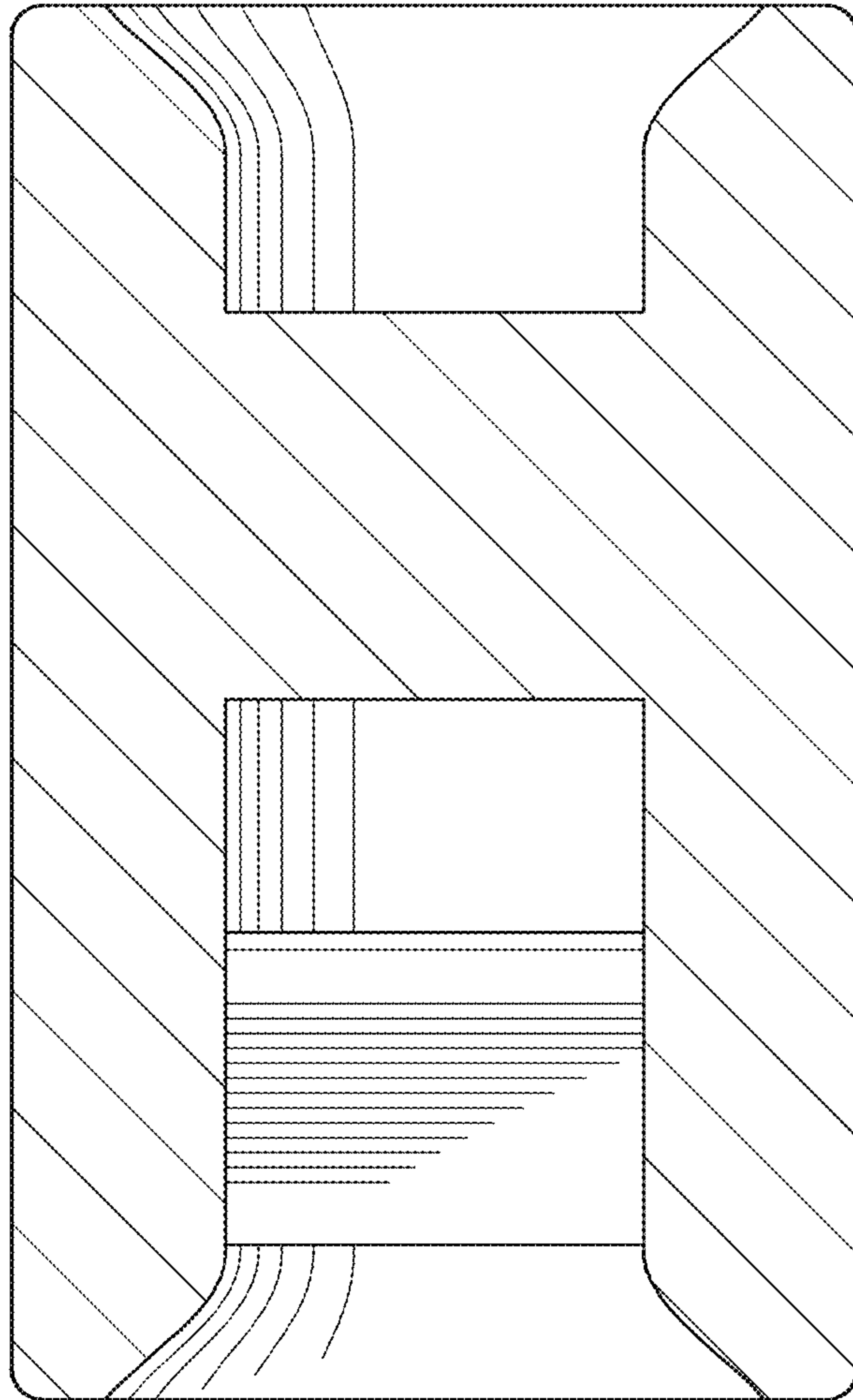


Fig. 8

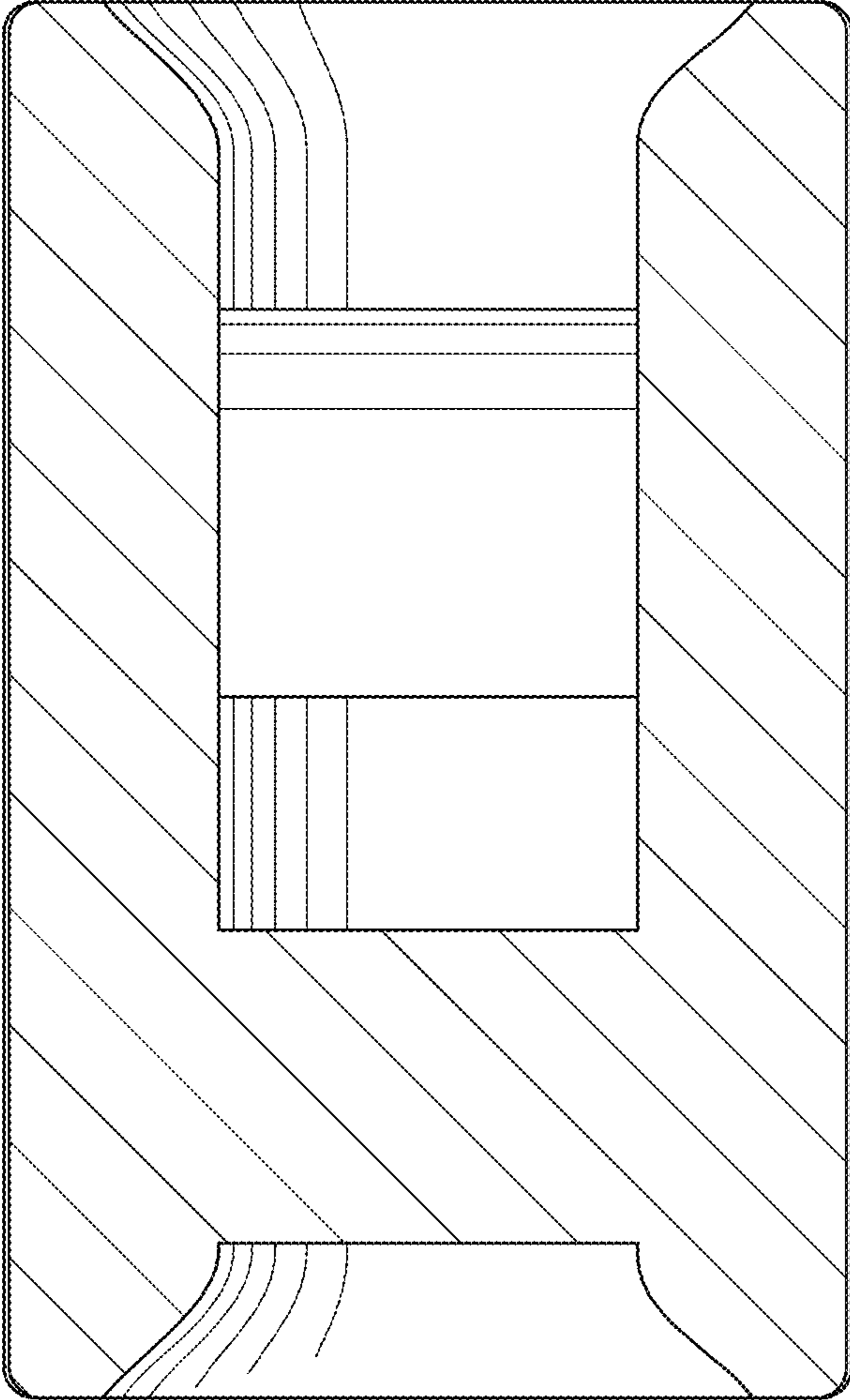


Fig. 9

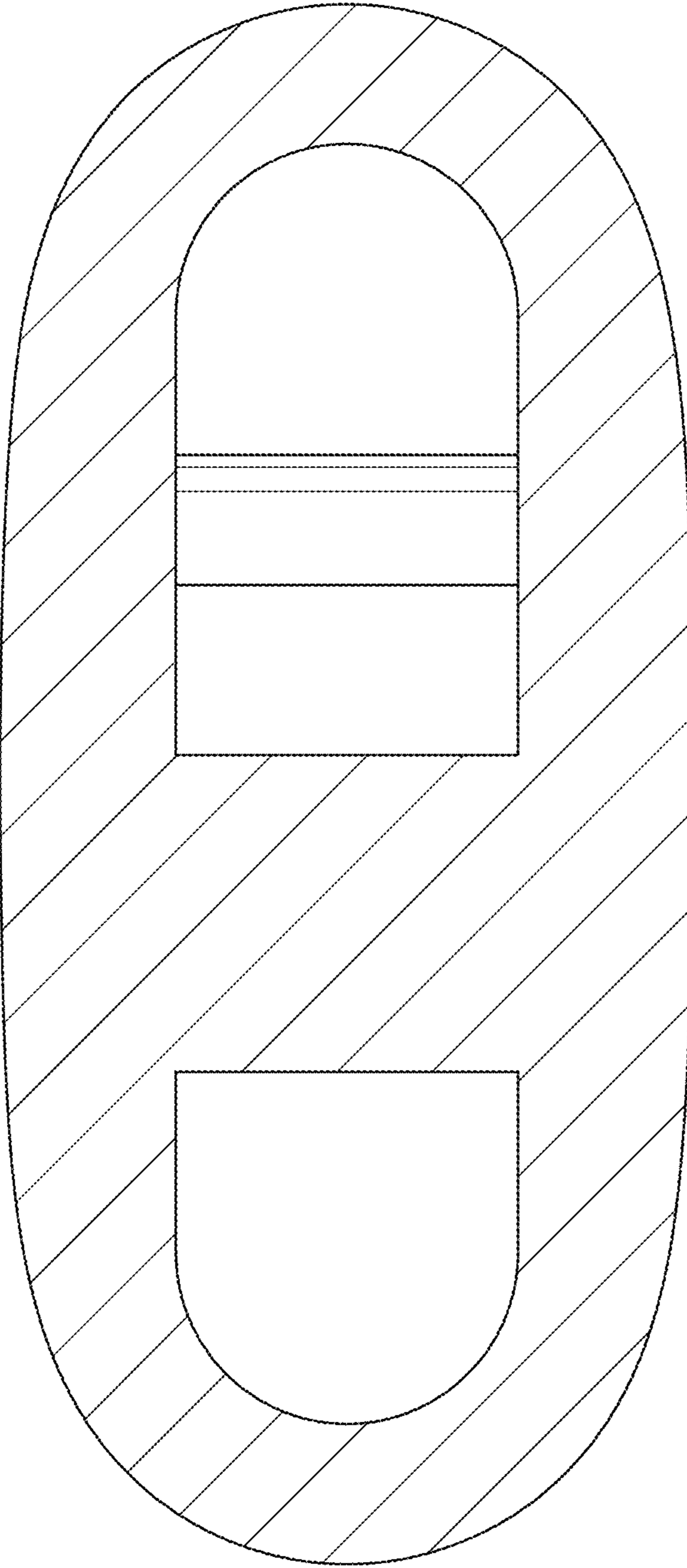


Fig. 10

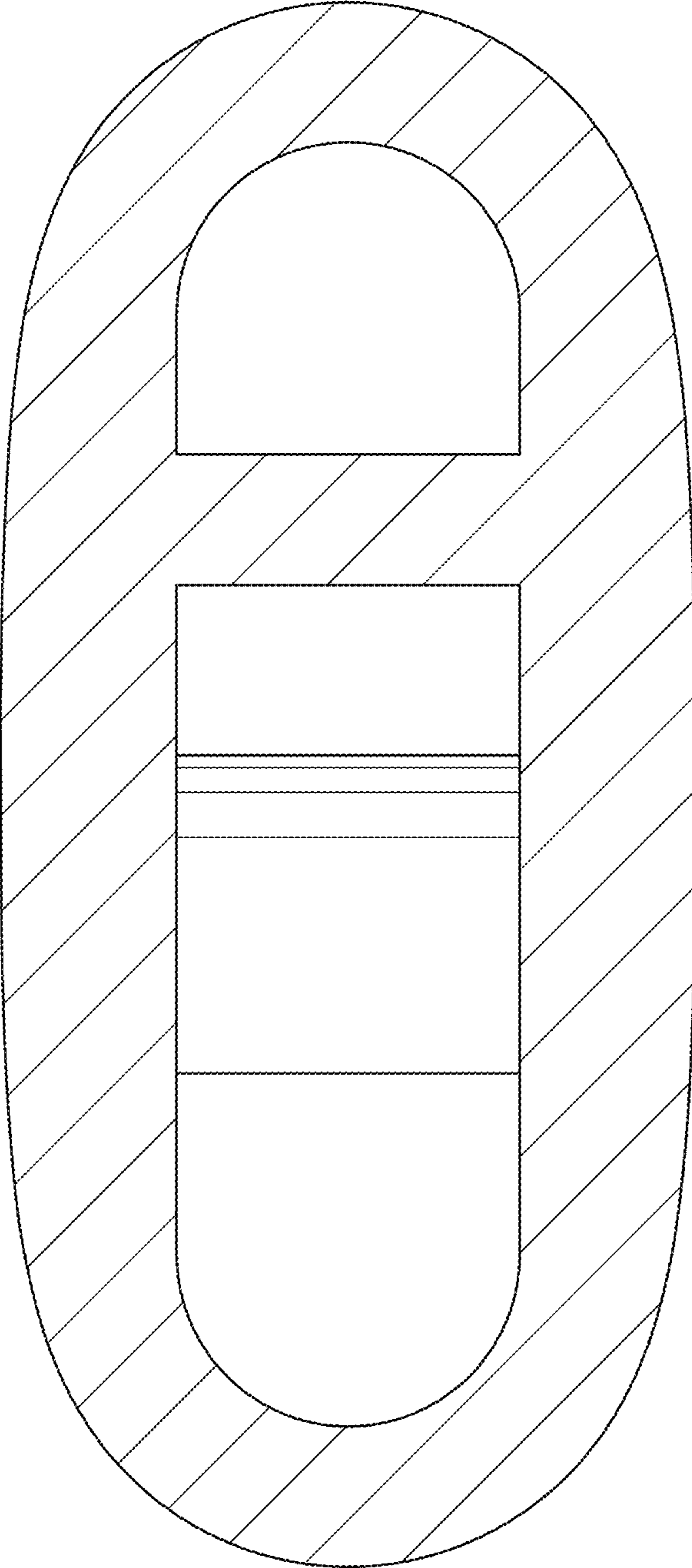


Fig. 11

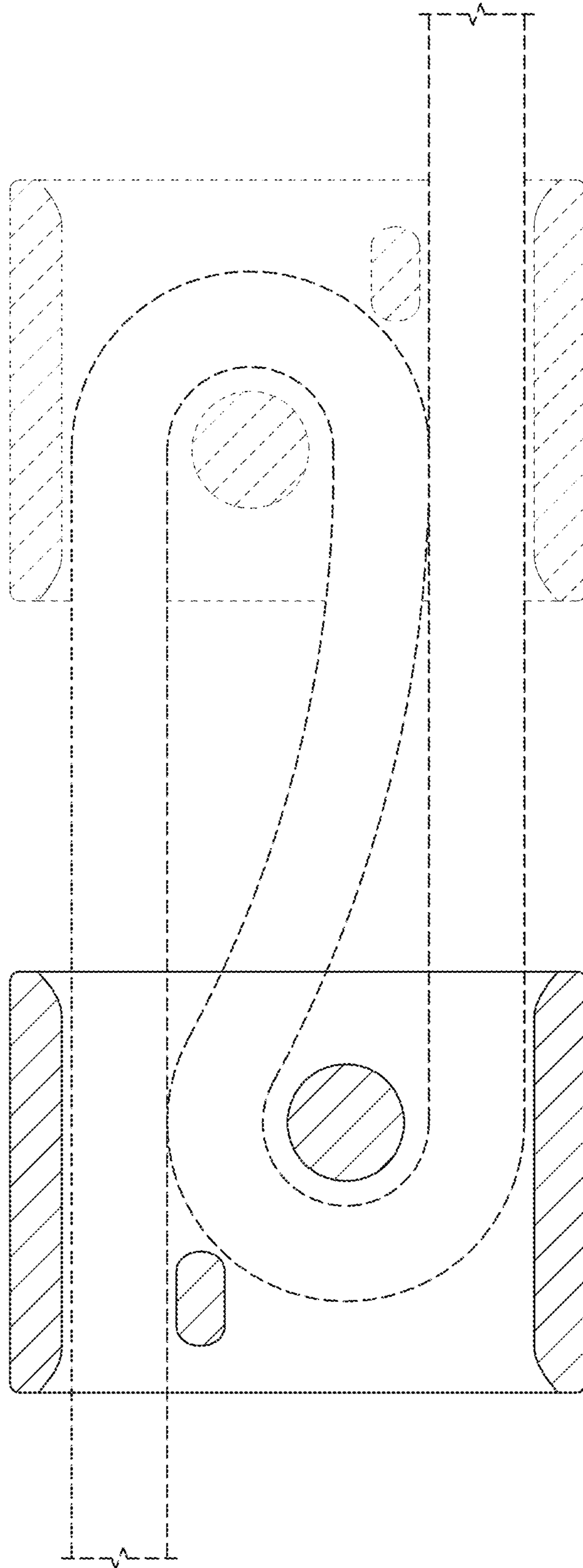


Fig. 12