



US00D832691S

(12) **United States Design Patent** (10) **Patent No.:** **US D832,691 S**
Heindl (45) **Date of Patent:** **** Nov. 6, 2018**

(54) **SHEET PILE CONNECTOR**
(71) Applicant: **Richard Heindl**, Gräfelfing (DE)
(72) Inventor: **Richard Heindl**, Gräfelfing (DE)
(**) Term: **15 Years**
(21) Appl. No.: **29/614,427**
(22) Filed: **Aug. 18, 2017**
(30) **Foreign Application Priority Data**

D542,635 S * 5/2007 Heindl D8/382
D542,636 S 5/2007 Heindl
D542,637 S * 5/2007 Heindl D8/382
D542,638 S * 5/2007 Heindl D8/382
D542,639 S * 5/2007 Heindl D8/382
D542,640 S * 5/2007 Heindl D8/382
D542,641 S * 5/2007 Heindl D8/382
D542,643 S 5/2007 Heindl
D543,097 S * 5/2007 Heindl D8/382
D543,098 S * 5/2007 Heindl D8/382
D543,099 S * 5/2007 Heindl D8/382
D543,100 S 5/2007 Heindl
D543,101 S 5/2007 Heindl
D543,444 S * 5/2007 Heindl D8/382
7,527,456 B2 5/2009 Heindl

(Continued)

Feb. 20, 2017 (EM) 003759695-0014

(51) **LOC (11) Cl.** **08-08**
(52) **U.S. Cl.**
USPC **D8/382**
(58) **Field of Classification Search**
USPC D8/382, 394, 395; D25/119
CPC E02D 5/02; E02D 5/04; E02D 5/06; E02D
5/08; E02D 5/12; Y10T 403/73
See application file for complete search history.

OTHER PUBLICATIONS

Notice of Allowance issued in co-pending U.S. Appl. No. 29/593,004, dated Nov. 9, 2017.

(Continued)

Primary Examiner — David Muller
Assistant Examiner — Nathan Johnston
(74) *Attorney, Agent, or Firm* — Meunier Carlin & Curfman LLC

(56) **References Cited**

U.S. PATENT DOCUMENTS

3,225,407 A 12/1965 Daniels et al.
D401,005 S * 11/1998 Ludbrook D26/138
D421,137 S 2/2000 Marshall
6,428,244 B1 8/2002 Wall
D471,083 S 3/2003 Wall
D471,793 S 3/2003 Wall
D471,794 S 3/2003 Wall
D472,455 S * 4/2003 Wall D25/119
D517,905 S * 3/2006 Wall D8/382
D540,660 S * 4/2007 Heindl D8/382
D540,661 S * 4/2007 Heindl D8/382
D541,639 S * 5/2007 Heindl D8/382
D541,640 S * 5/2007 Heindl D8/382
D541,641 S * 5/2007 Heindl D8/382
D541,642 S 5/2007 Heindl
D542,634 S * 5/2007 Heindl D8/382

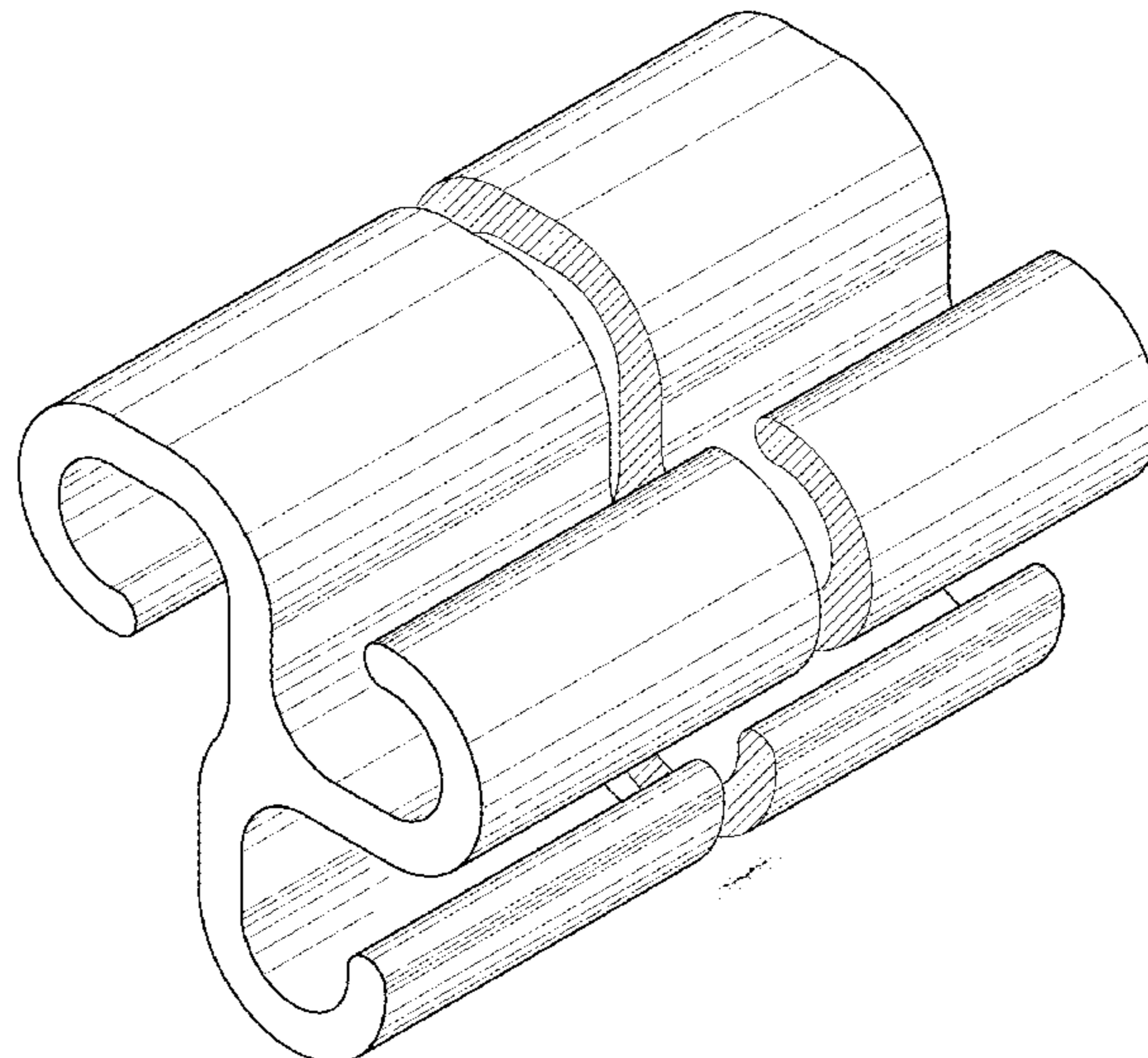
(57) **CLAIM**

The ornamental design for a sheet pile connector, as shown and described.

DESCRIPTION

FIG. 1 illustrates a front perspective view of my design; and, FIG. 2 illustrates a left side view of the design shown in FIG. 1.
The appearance of any portion of the article between the break lines shown in FIG. 1 forms no part of the claimed design.

1 Claim, 2 Drawing Sheets



(56)

References Cited

U.S. PATENT DOCUMENTS

D621,248	S	8/2010	Heindl	
D623,930	S	9/2010	Austro	
D623,932	S	9/2010	Austro	
D624,395	S	9/2010	Austro	
D626,826	S *	11/2010	Austro D8/382
D626,827	S *	11/2010	Austro D8/382
D649,443	S	11/2011	Heindl	
D665,660	S	8/2012	Heindl	
D666,484	S	9/2012	Heindl	
D681,424	S	5/2013	Heindl	
D681,427	S	5/2013	Heindl	
D681,431	S	5/2013	Heindl	
D704,769	S	5/2014	Penington	
D790,330	S	6/2017	Heindl	
D794,245	S	8/2017	Klus	
D798,134	S *	9/2017	Heindl D8/382
D811,866	S *	3/2018	Heindl D8/382
2008/0219776	A1 *	9/2008	Heindl E02D 5/08 405/279
2014/0112725	A1 *	4/2014	Wendt E02D 5/06 405/279
2018/0044874	A1 *	2/2018	Courtright E02D 5/14

OTHER PUBLICATIONS

Non-final Office Action issued in co-pending U.S. Appl. No. 29/608,190, dated May 15, 2018.

Non-final Office Action issued in co-pending U.S. Appl. No. 29/588,000, dated Sep. 20, 2017.

* cited by examiner

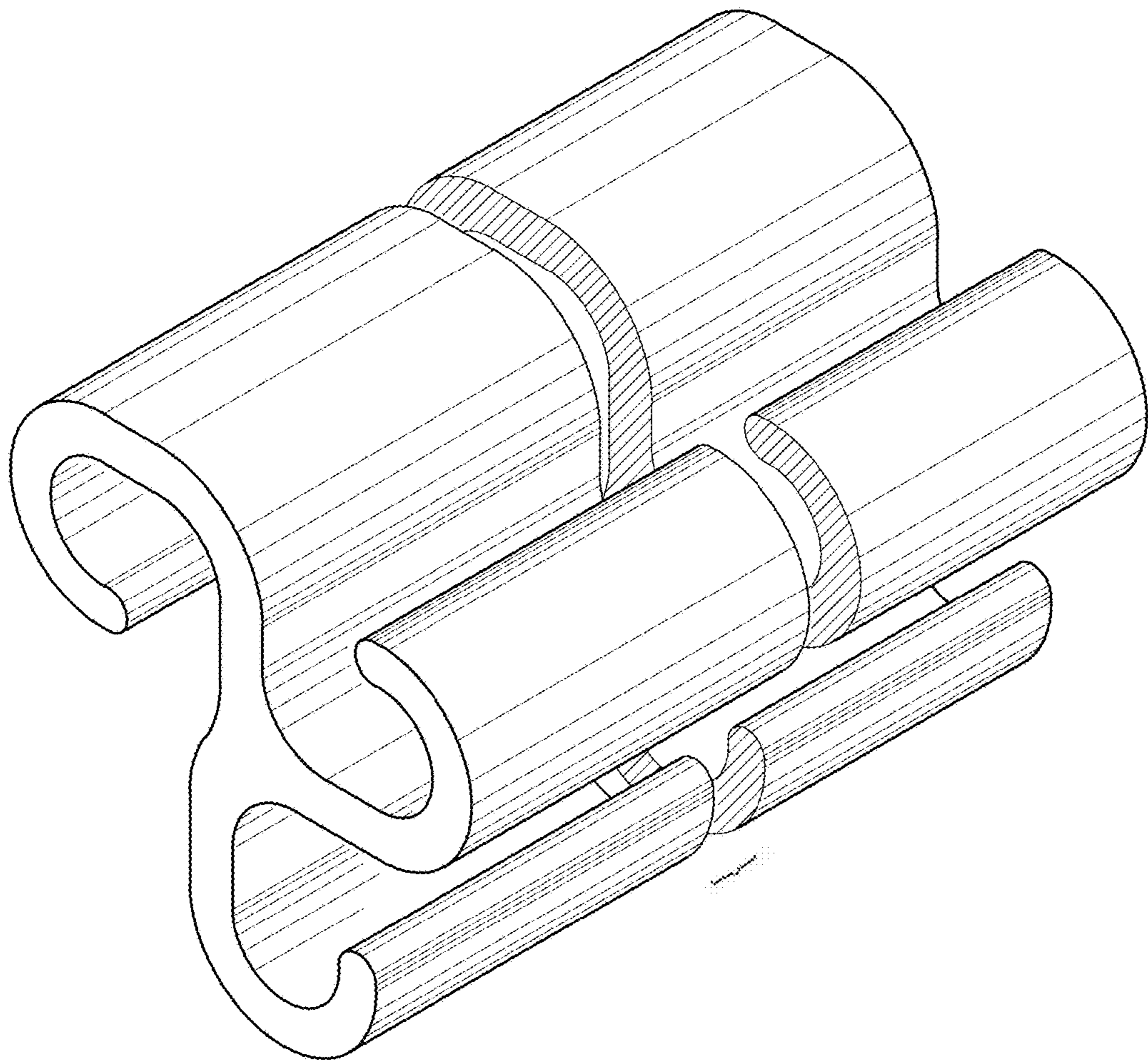


FIG. 1

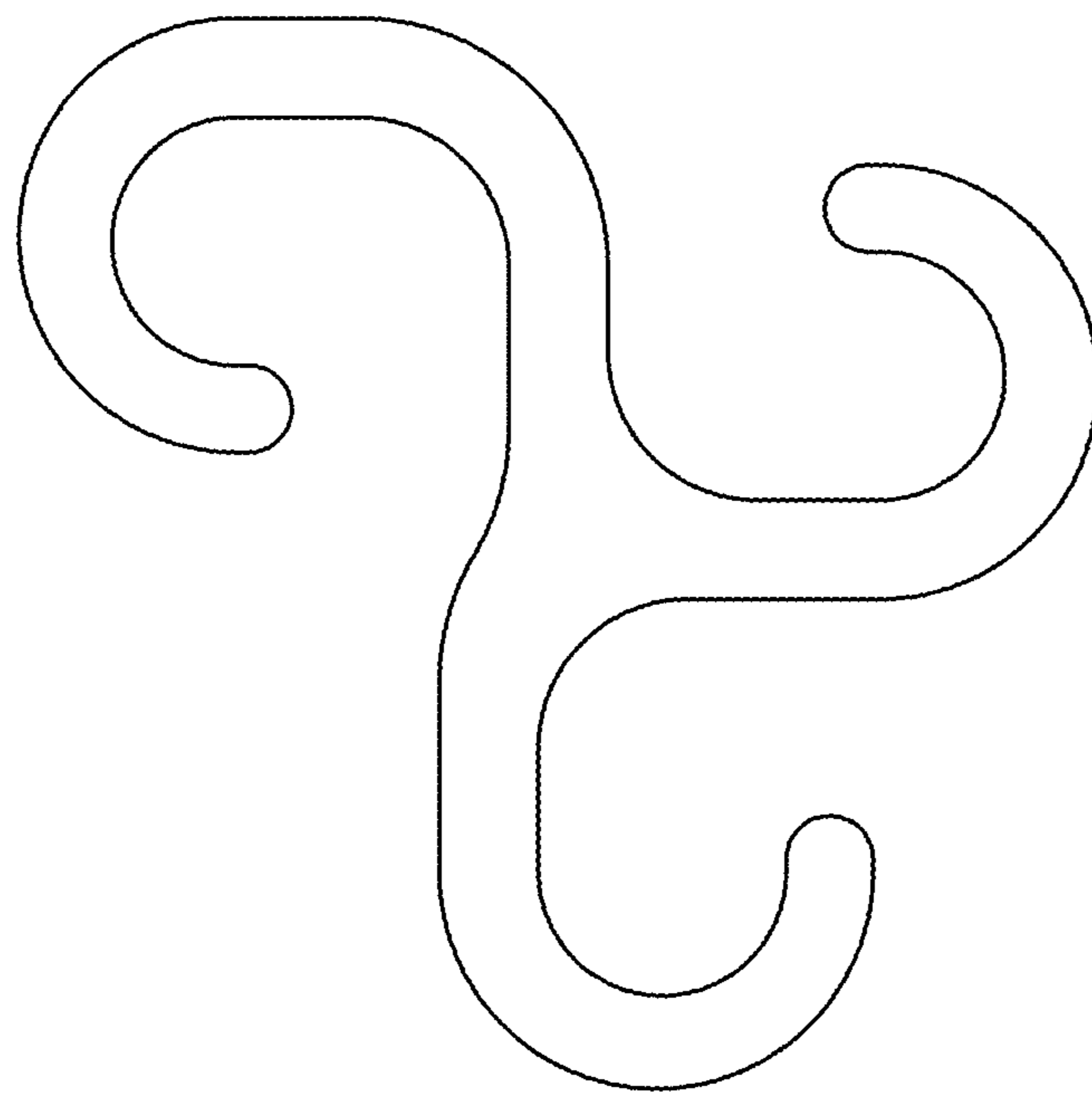


FIG. 2