

US00D832689S

(12) **United States Design Patent** (10) **Patent No.:** **US D832,689 S**  
**Heindl** (45) **Date of Patent:** **\*\* Nov. 6, 2018**

(54) **SHEET PILE CONNECTOR**  
(71) Applicant: **Richard Heindl**, Gräfelfing (DE)  
(72) Inventor: **Richard Heindl**, Gräfelfing (DE)  
(\*\*) Term: **15 Years**  
(21) Appl. No.: **29/614,425**  
(22) Filed: **Aug. 18, 2017**  
(30) **Foreign Application Priority Data**

D542,635 S \* 5/2007 Heindl ..... D8/382  
D542,636 S 5/2007 Heindl  
D542,637 S \* 5/2007 Heindl ..... D8/382  
D542,638 S \* 5/2007 Heindl ..... D8/382  
D542,639 S \* 5/2007 Heindl ..... D8/382  
D542,640 S \* 5/2007 Heindl ..... D8/382  
D542,641 S \* 5/2007 Heindl ..... D8/382  
D542,643 S 5/2007 Heindl  
D543,097 S \* 5/2007 Heindl ..... D8/382  
D543,098 S \* 5/2007 Heindl ..... D8/382  
D543,099 S \* 5/2007 Heindl ..... D8/382  
D543,100 S 5/2007 Heindl  
D543,101 S 5/2007 Heindl  
D543,444 S \* 5/2007 Heindl ..... D8/382  
7,527,456 B2 5/2009 Heindl

(Continued)

Feb. 20, 2017 (EM) ..... 003759695

(51) **LOC (11) Cl.** ..... **08-08**  
(52) **U.S. Cl.**  
USPC ..... **D8/382**  
(58) **Field of Classification Search**  
USPC ..... D8/382, 394, 395; D25/119  
CPC .... E02D 5/02; E02D 5/04; E02D 5/06; E02D  
5/08; E02D 5/12; Y10T 403/73  
See application file for complete search history.

(56) **References Cited**

**U.S. PATENT DOCUMENTS**

3,225,407 A 12/1965 Daniels et al.  
D401,005 S \* 11/1998 Ludbrook ..... D26/138  
D421,137 S 2/2000 Marshall  
6,428,244 B1 8/2002 Wall  
D471,083 S 3/2003 Wall  
D471,793 S 3/2003 Wall  
D471,794 S 3/2003 Wall  
D472,455 S \* 4/2003 Wall ..... D25/119  
D517,905 S \* 3/2006 Wall ..... D8/382  
D540,660 S \* 4/2007 Heindl ..... D8/382  
D540,661 S \* 4/2007 Heindl ..... D8/382  
D541,639 S \* 5/2007 Heindl ..... D8/382  
D541,640 S \* 5/2007 Heindl ..... D8/382  
D541,641 S \* 5/2007 Heindl ..... D8/382  
D541,642 S 5/2007 Heindl  
D542,634 S \* 5/2007 Heindl ..... D8/382

**OTHER PUBLICATIONS**

Non-final Office Action issued in co-pending U.S. Appl. No. 29/588,000 dated Sep. 20, 2017.

(Continued)

*Primary Examiner* — David Muller  
*Assistant Examiner* — Nathan Johnston  
(74) *Attorney, Agent, or Firm* — Meunier Carlin & Curfman LLC

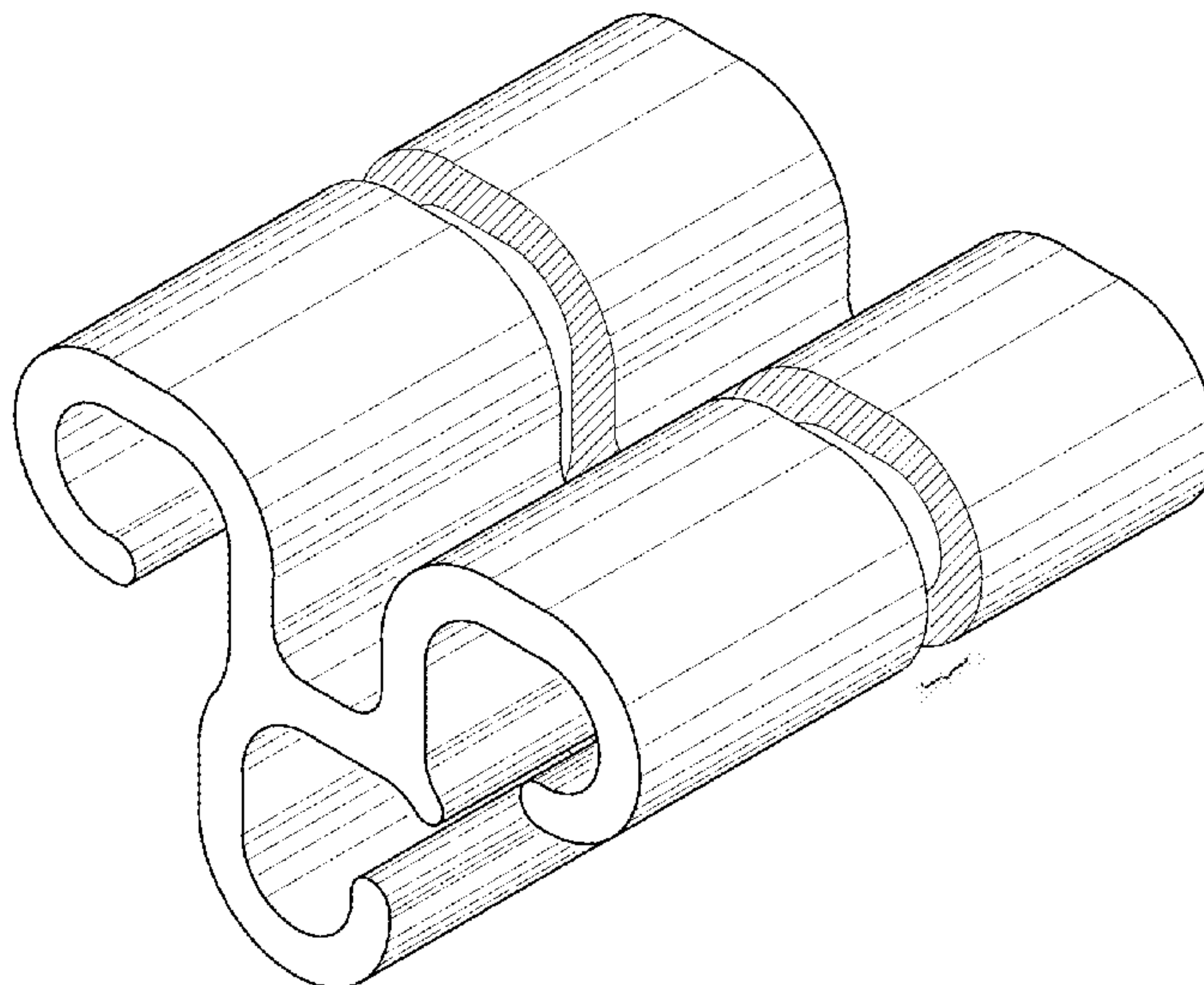
(57) **CLAIM**

The ornamental design for a sheet pile connector, as shown and described.

**DESCRIPTION**

FIG. 1 illustrates a front perspective view of my design; and, FIG. 2 illustrates a left side view of the design shown in FIG. 1.  
The appearance of any portion of the article between the break lines shown in FIG. 1 forms no part of the claimed design.

**1 Claim, 2 Drawing Sheets**



(56)

**References Cited**

U.S. PATENT DOCUMENTS

D621,248	S	8/2010	Heindl	
D623,930	S	9/2010	Austro	
D623,932	S	9/2010	Austro	
D624,395	S	9/2010	Austro	
D626,826	S *	11/2010	Austro	..... D8/382
D626,827	S *	11/2010	Austro	..... D8/382
D649,443	S	11/2011	Heindl	
D665,660	S	8/2012	Heindl	
D666,484	S	9/2012	Heindl	
D681,424	S	5/2013	Heindl	
D681,427	S	5/2013	Heindl	
D681,431	S	5/2013	Heindl	
D704,769	S	5/2014	Penington	
D790,330	S	6/2017	Heindl	
D794,245	S	8/2017	Klus	
D798,134	S *	9/2017	Heindl	..... D8/382
D811,866	S *	3/2018	Heindl	..... D8/382
2008/0219776	A1 *	9/2008	Heindl	..... E02D 5/08
				405/279
2014/0112725	A1 *	4/2014	Wendt	..... E02D 5/06
				405/279
2018/0044874	A1 *	2/2018	Courtright	..... E02D 5/14

OTHER PUBLICATIONS

Non-final Office Action issued in co-pending U.S. Appl. No. 29/608,190, dated May 15, 2018.

Notice of Allowance issued in co-pending U.S. Appl. No. 29/593,004, dated Nov. 9, 2017.

\* cited by examiner

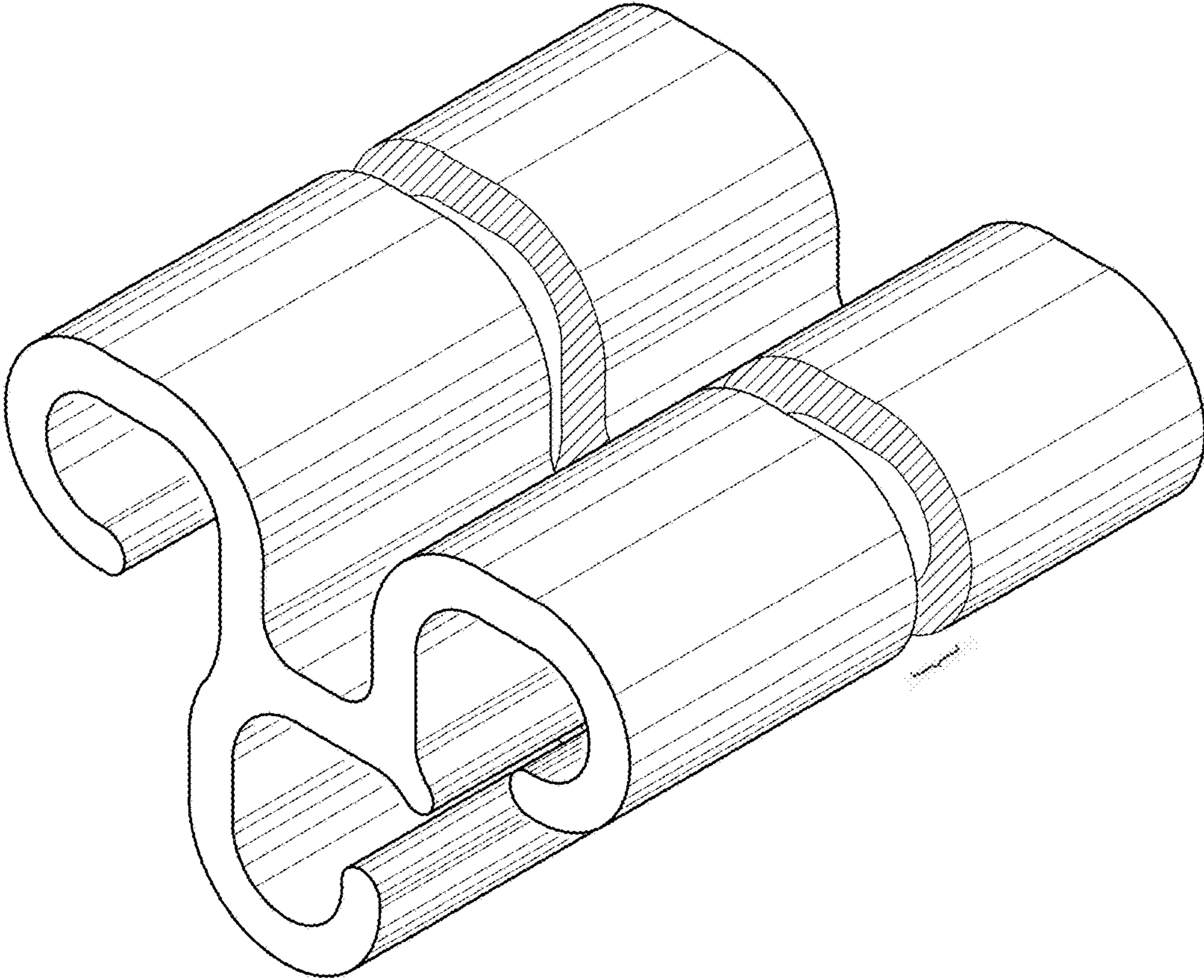


FIG.1

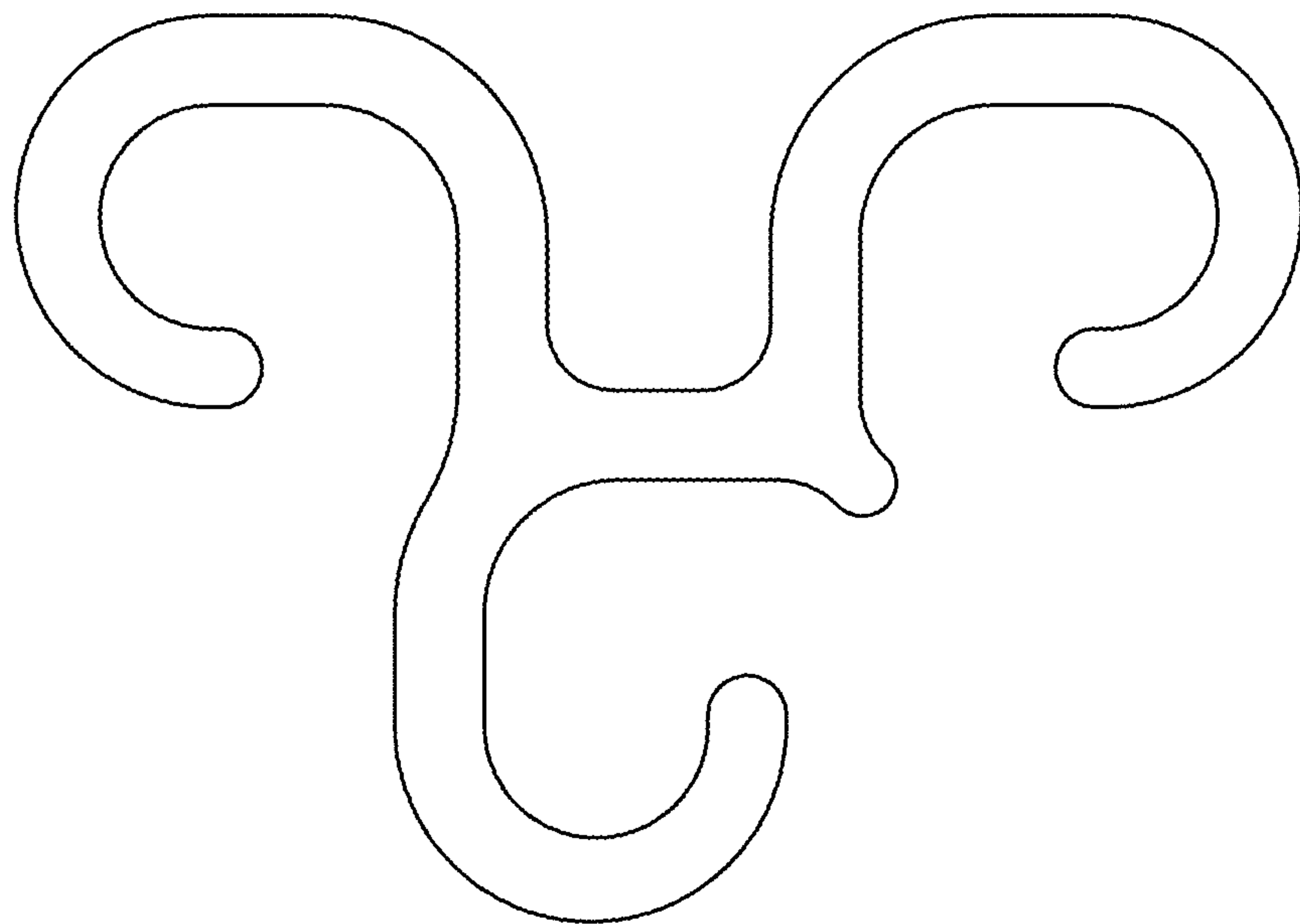


FIG. 2