

US00D832687S

(12) **United States Design Patent** (10) **Patent No.:** **US D832,687 S**  
**Heindl** (45) **Date of Patent:** **\*\* Nov. 6, 2018**

- (54) **SHEET PILE CONNECTOR**
- (71) Applicant: **Richard Heindl**, Gräfelfing (DE)
- (72) Inventor: **Richard Heindl**, Gräfelfing (DE)
- (\*\*) Term: **15 Years**
- (21) Appl. No.: **29/614,418**
- (22) Filed: **Aug. 18, 2017**
- (30) **Foreign Application Priority Data**

D527,619	S	*	9/2006	Heindl	.....	D8/382
D530,190	S		10/2006	Wall		
D542,633	S		5/2007	Heindl		
D621,248	S	*	8/2010	Heindl	.....	D8/382
D640,533	S	*	6/2011	Austro	.....	D8/382
D640,534	S	*	6/2011	Austro	.....	D8/382
D665,658	S	*	8/2012	Heindl	.....	D8/382
D665,660	S	*	8/2012	Heindl	.....	D8/382
D666,484	S	*	9/2012	Heindl	.....	D8/382
D681,424	S	*	5/2013	Heindl	.....	D8/382
D681,425	S	*	5/2013	Heindl	.....	D8/382
D681,426	S	*	5/2013	Heindl	.....	D8/382
D681,427	S	*	5/2013	Heindl	.....	D8/382
D681,428	S	*	5/2013	Heindl	.....	D8/382
D721,947	S	*	2/2015	Wendt	.....	D8/382

(Continued)

Feb. 20, 2017 (EM) ..... 003759695-0009

- (51) **LOC (11) Cl.** ..... **08-08**
- (52) **U.S. Cl.**  
USPC ..... **D8/382**
- (58) **Field of Classification Search**  
USPC ..... D8/382, 394, 395; D25/119  
CPC .... E02D 5/02; E02D 5/04; E02D 5/06; E02D  
5/08; E02D 5/12; Y10T 403/73  
See application file for complete search history.

(56) **References Cited**

**U.S. PATENT DOCUMENTS**

912,021	A		2/1909	Neilson		
923,110	A		5/1909	Boardman		
976,573	A		11/1910	Jones		
1,005,514	A		2/1911	Conkling		
1,003,777	A		9/1911	Neilson		
1,003,778	A		9/1911	Neilson		
1,070,833	A		8/1913	Neilson		
1,330,240	A		2/1920	Conkling		
3,225,407	A		12/1965	Daniels et al.		
D242,986	S	*	1/1977	Inglis	.....	D8/363
D331,007	S	*	11/1992	Roick	.....	D8/367
6,428,244	B1		8/2002	Wall		
D465,291	S		11/2002	Marshall		
D471,793	S	*	3/2003	Wall	.....	D25/119
D526,888	S	*	8/2006	Heindl	.....	D8/382
D527,248	S	*	8/2006	Heindl	.....	D8/382

**OTHER PUBLICATIONS**

Notice of Allowance issued in co-pending U.S. Appl. No. 29/593,005 dated Nov. 8, 2017.

(Continued)

*Primary Examiner* — David Muller  
*Assistant Examiner* — Nathan Johnston  
(74) *Attorney, Agent, or Firm* — Meunier Carlin & Curfman LLC

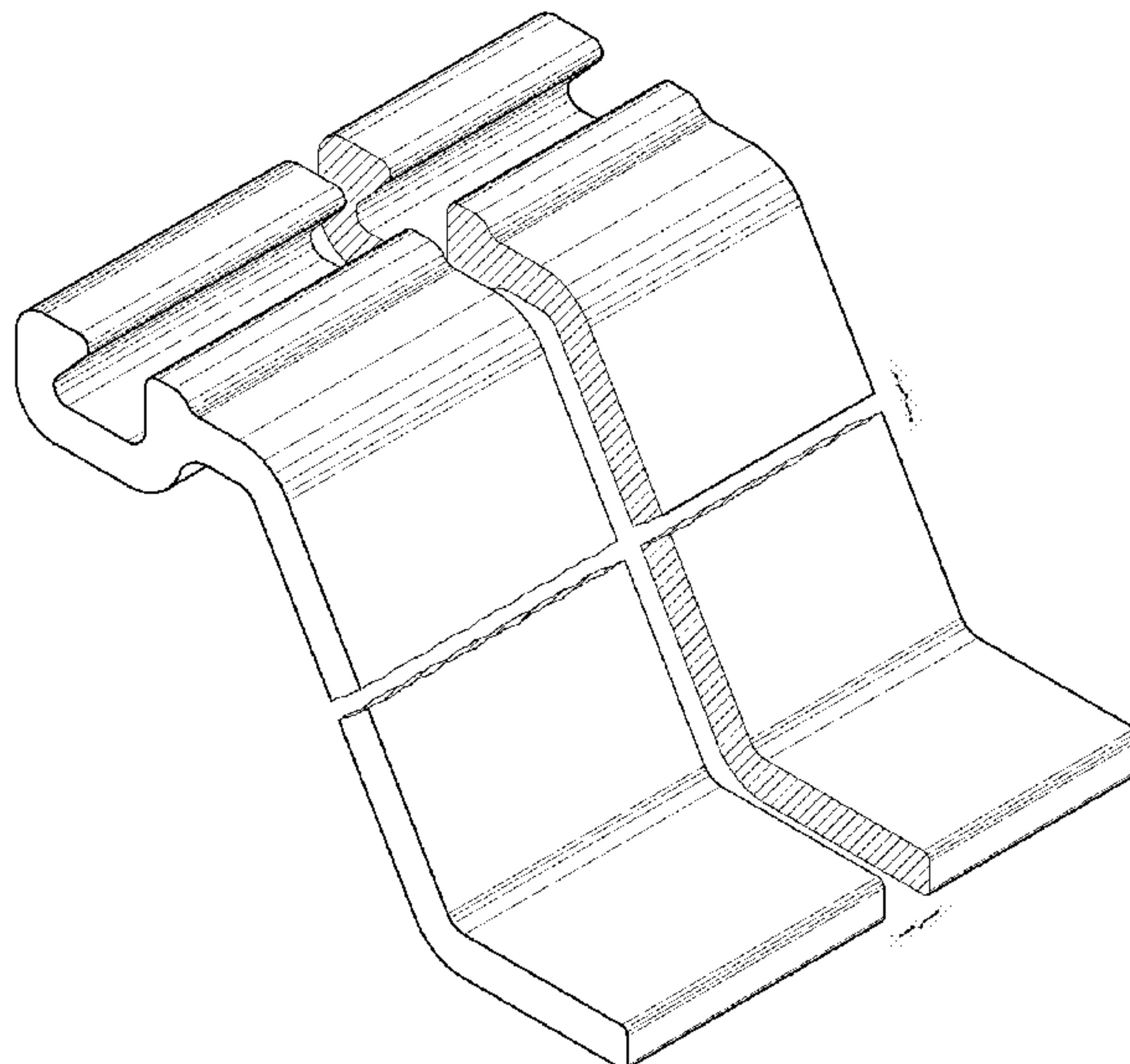
(57) **CLAIM**

The ornamental design for a sheet pile connector, as shown and described.

**DESCRIPTION**

FIG. 1 illustrates a front perspective view of my design; and, FIG. 2 illustrates a left side view of the design shown in FIG. 1.  
The appearance of any portion of the article between the break lines shown in FIG. 1 forms no part of the claimed design.

**1 Claim, 2 Drawing Sheets**



(56)

**References Cited**

U.S. PATENT DOCUMENTS

D723,360 S 3/2015 McShane  
D734,137 S 7/2015 McShane  
D737,116 S \* 8/2015 Lussier ..... D8/349  
D737,673 S 9/2015 McShane  
D782,903 S \* 4/2017 Heindl ..... D8/382  
D788,573 S \* 6/2017 Heindl ..... D8/382  
D794,245 S 8/2017 Klus  
D801,794 S \* 11/2017 Heindl ..... D8/382  
D807,159 S \* 1/2018 Heindl ..... D8/382  
D811,865 S \* 3/2018 Heindl ..... D8/382  
D811,867 S \* 3/2018 Heindl ..... D8/382  
2008/0310924 A1 12/2008 Heindl et al.  
2012/0269583 A1 \* 10/2012 Heindl ..... E02D 5/06  
405/251

OTHER PUBLICATIONS

Notice of Allowance issued in co-pending U.S. Appl. No. 29/587,996 dated Sep. 21, 2017.

\* cited by examiner

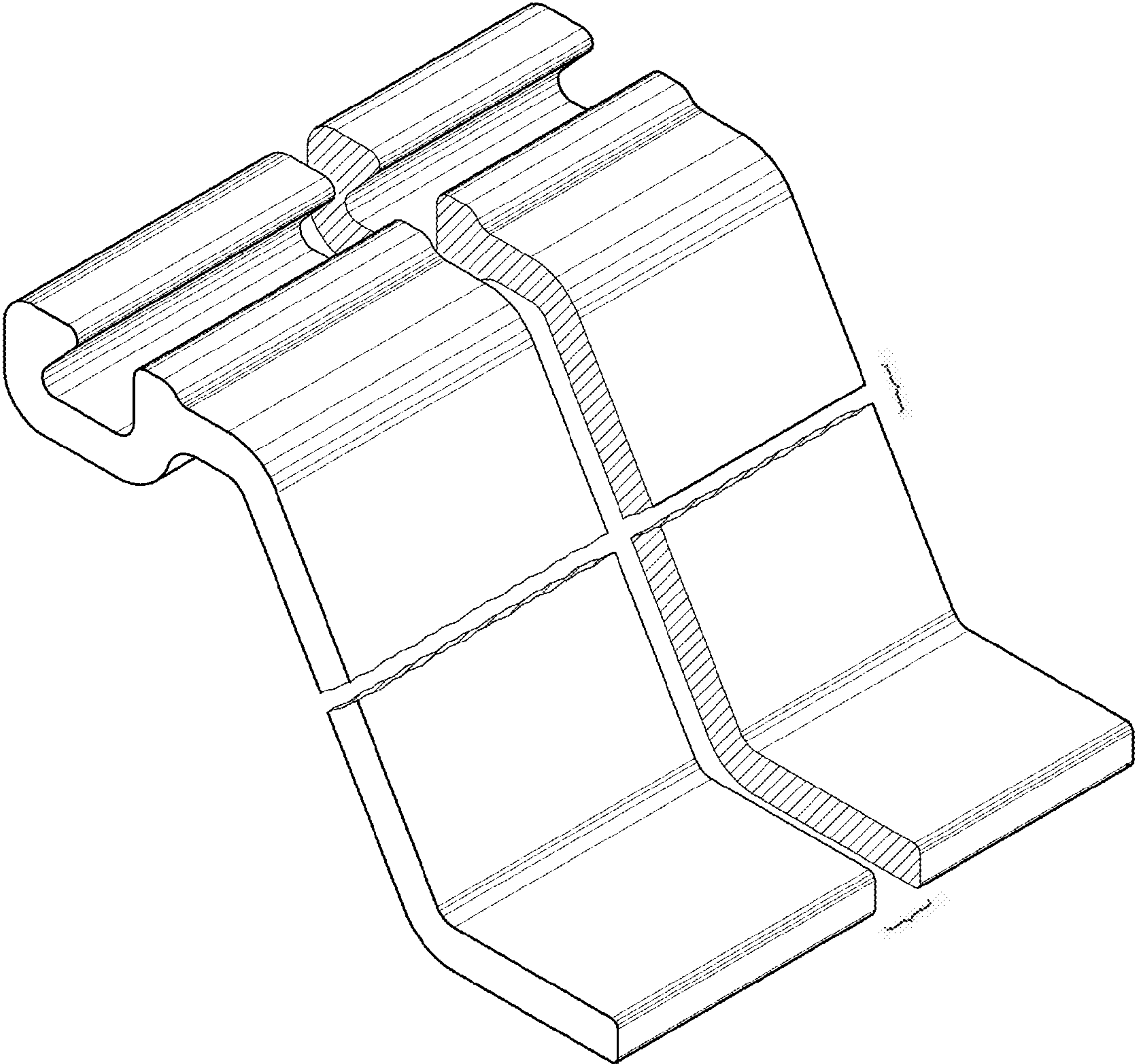


FIG. 1

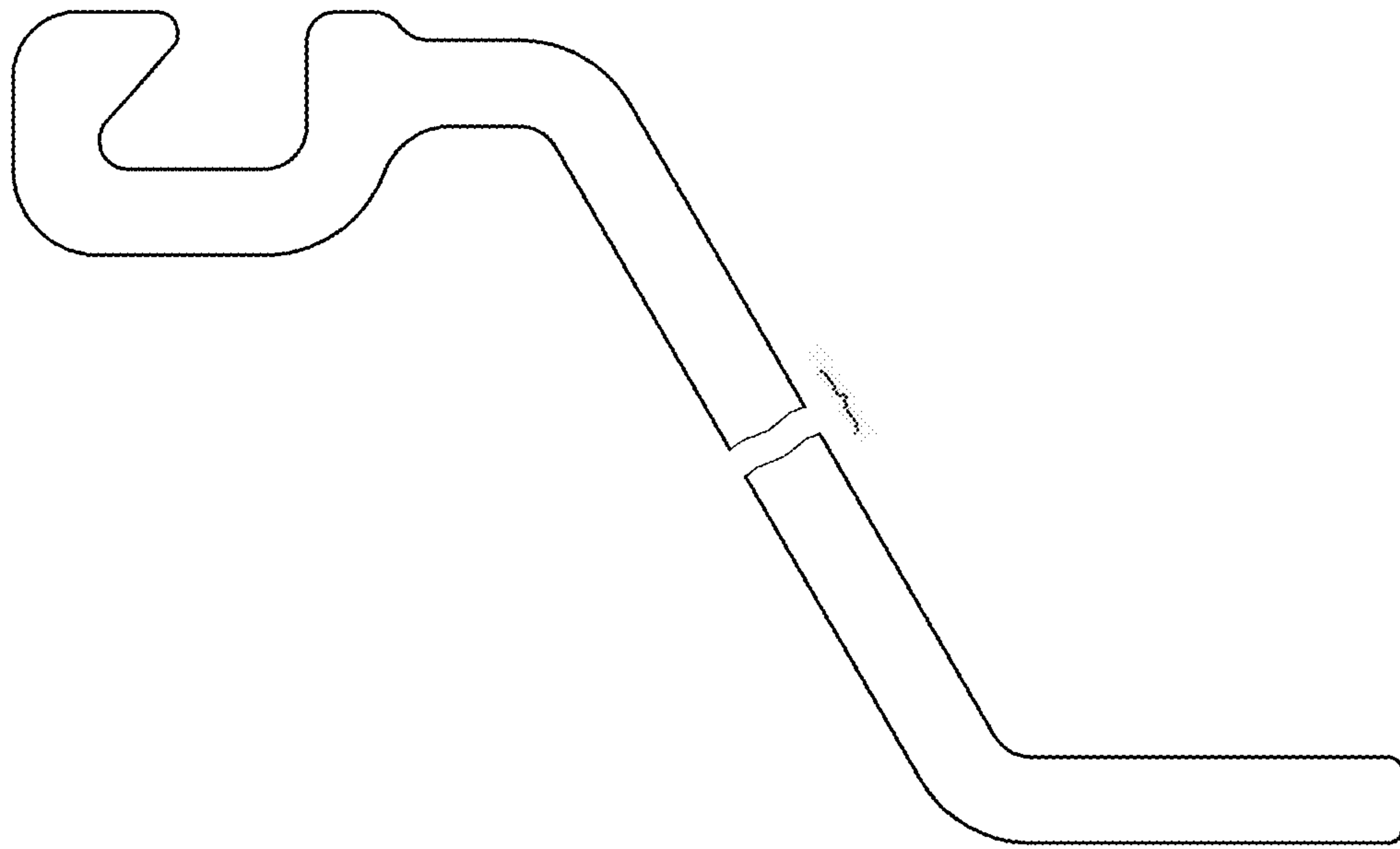


FIG. 2