



US00D832685S

(12) **United States Design Patent**
Wei et al.

(10) **Patent No.:** **US D832,685 S**
(45) **Date of Patent:** **** Nov. 6, 2018**

(54) **ORNAMENT HOOK**

(71) Applicants: **Fuh-San Metal (Dong Guan) Co., Ltd.**, Dongguan (CN); **Sheng An Tsai**, Dongguan (CN); **Tzu Hsiang Wei**, Dongguan (CN)

(72) Inventors: **Tzu Hsiang Wei**, Dongguan (CN); **Sheng An Tsai**, Dongguan (CN)

(73) Assignees: **Fuh-San Metal (Dong Guan) Co., Ltd.**, Dongguan (CN); **Sheng An Tsai**, Dongguan (CN); **Tzu Hsiang Wei**, Dongguan (CN)

(**) Term: **15 Years**

(21) Appl. No.: **29/611,234**

(22) Filed: **Jul. 19, 2017**

(51) **LOC (11) Cl.** **08-05**

(52) **U.S. Cl.**
USPC **D8/367**

(58) **Field of Classification Search**
USPC D8/349, 354, 367
CPC A41F 9/007; A47G 25/065; B60N 3/005;
B60R 7/10; F16B 1/00
See application file for complete search history.

(56) **References Cited**

U.S. PATENT DOCUMENTS

D152,598 S * 2/1949 Cronen D6/565
D152,599 S * 2/1949 Cronen 248/300
D204,743 S * 5/1966 Rhoades D8/305
D206,587 S * 1/1967 Nathanson D11/67

D216,670 S * 3/1970 Fox D8/305
D236,323 S * 8/1975 Johnsen et al. D6/546
D397,568 S * 9/1998 Jonas D6/546
6,079,224 A * 6/2000 Schehr A44C 7/002
63/12
D427,892 S * 7/2000 Walters-Dowding D8/367
D436,517 S * 1/2001 Barry D8/354
D473,454 S * 4/2003 Goodman D8/370
D477,526 S * 7/2003 Goodman D8/370
D492,581 S * 7/2004 Fahy D8/378
D590,577 S * 4/2009 Bruno D2/853
D600,224 S * 9/2009 Lanktree D13/183
D608,579 S * 1/2010 Goodman D6/569
D631,334 S * 1/2011 Goodman D8/367
D641,230 S * 7/2011 Goodman D8/367
D669,768 S * 10/2012 Tawil D8/372
D690,946 S * 10/2013 Goodman D6/323
D695,532 S * 12/2013 Goodman D6/323
D810,548 S * 2/2018 Lynn D8/367

* cited by examiner

Primary Examiner — Cynthia R Underwood

(74) *Attorney, Agent, or Firm* — Wang Law Firm, Inc.

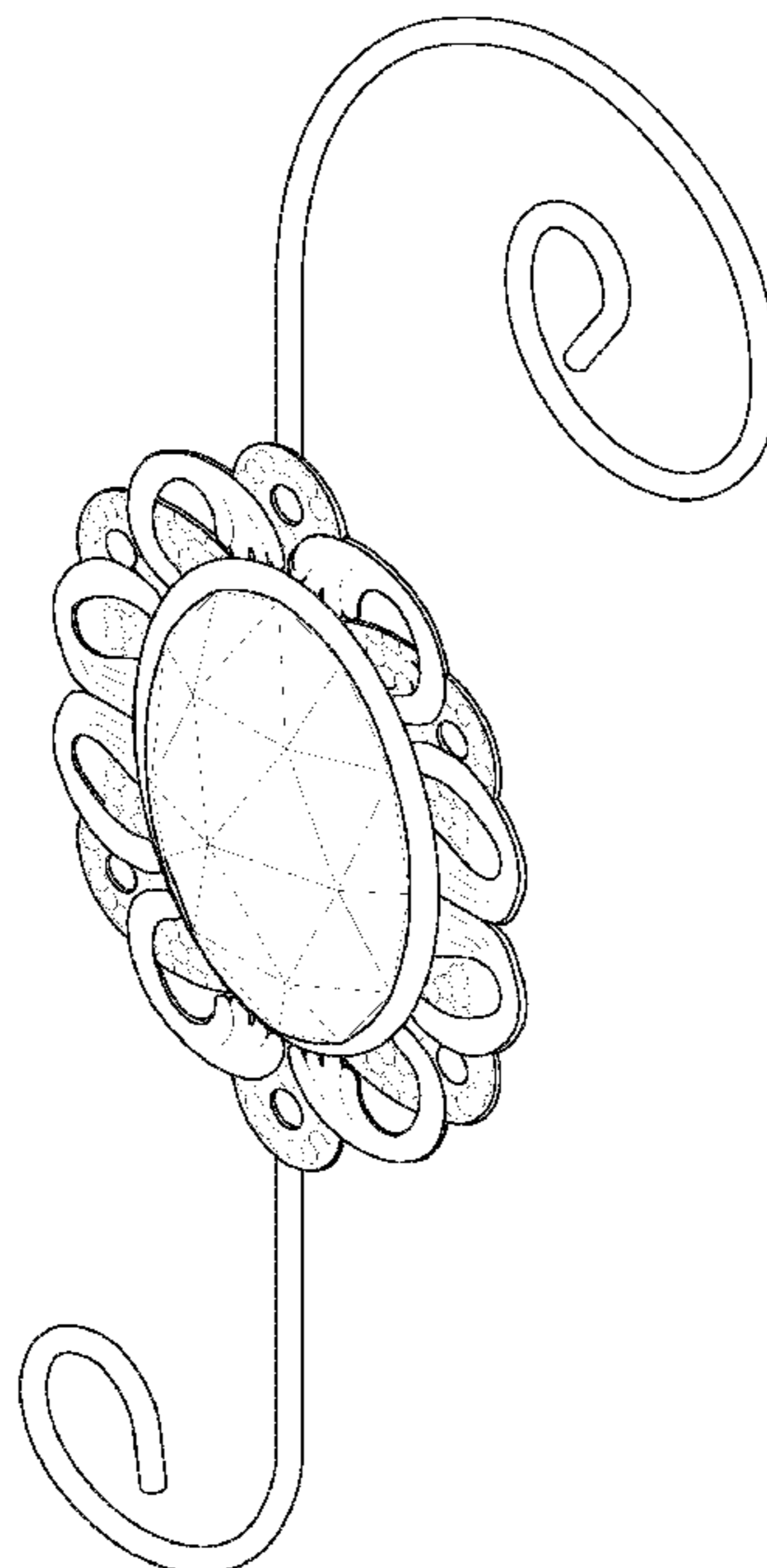
(57) **CLAIM**

The ornamental design for an ornament hook, as shown and described.

DESCRIPTION

FIG. 1 is a perspective view of our design of FIG. 1;
FIG. 2 is a front elevation view of FIG. 1;
FIG. 3 is a rear elevation view of FIG. 1;
FIG. 4 is a left side elevation view of FIG. 1;
FIG. 5 is a right side elevation view of FIG. 1;
FIG. 6 is a top plan view of FIG. 1; and,
FIG. 7 is a bottom plan view of FIG. 1.

1 Claim, 7 Drawing Sheets



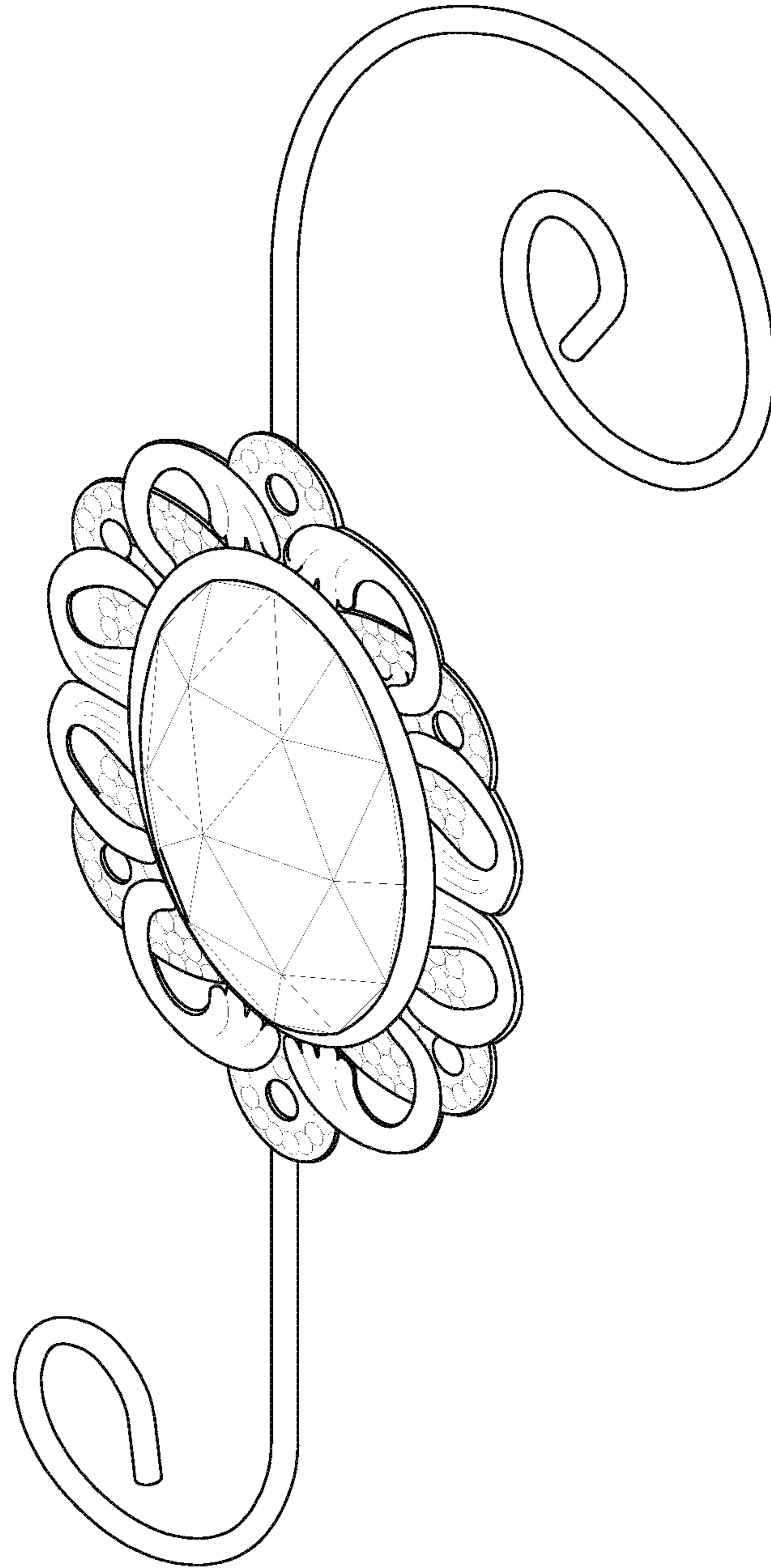


Fig. 1

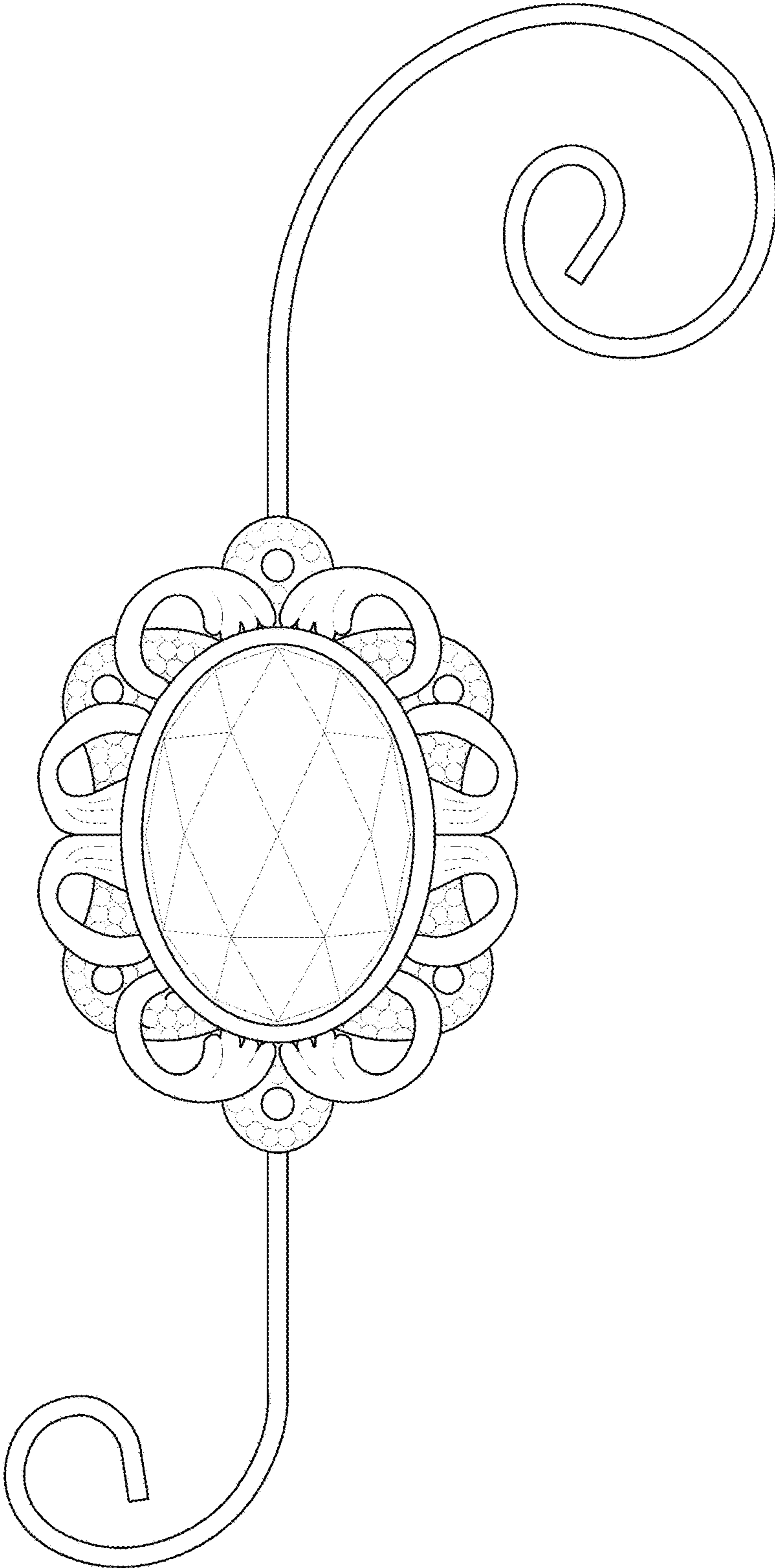


Fig. 2

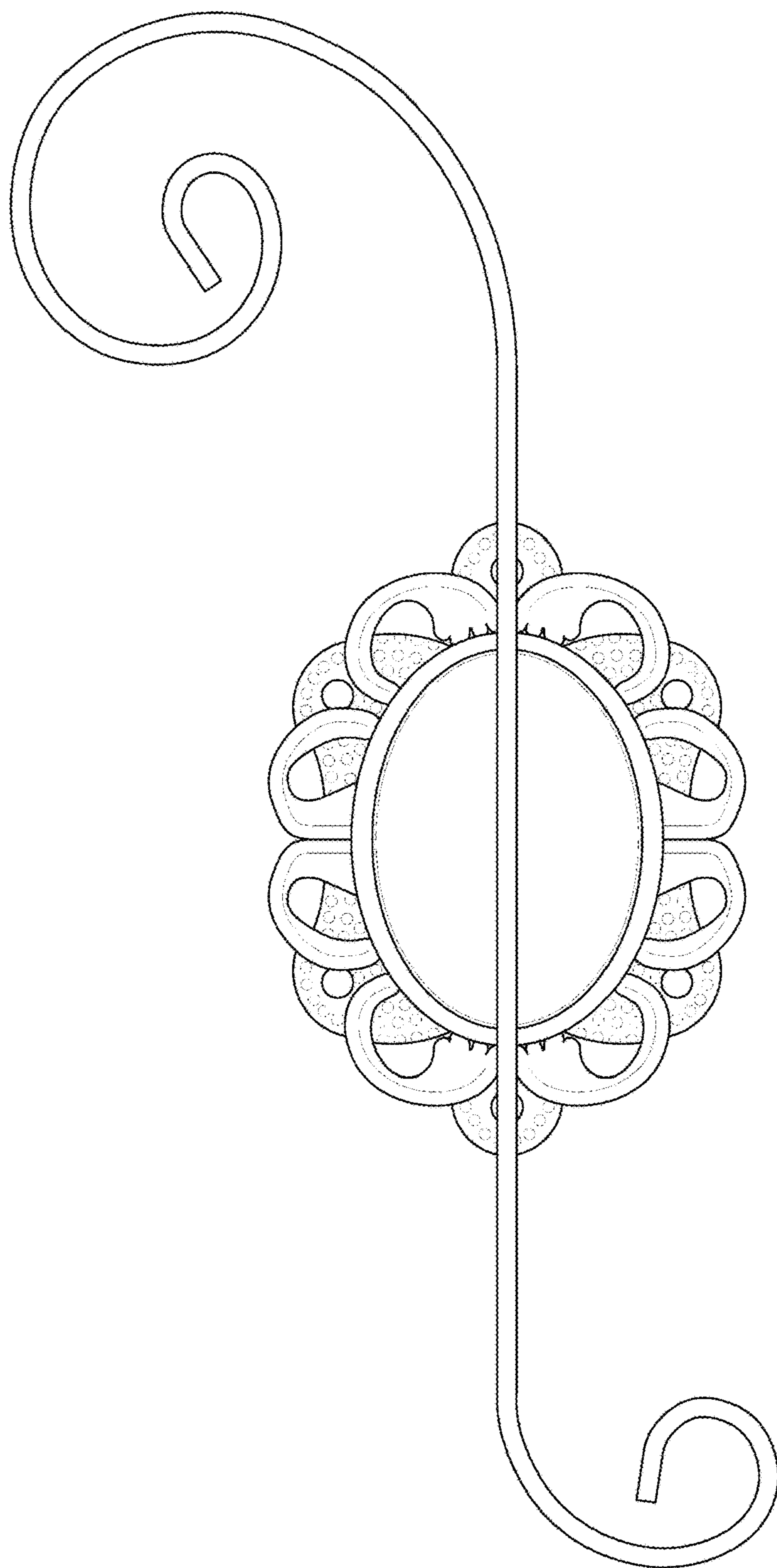


Fig. 3

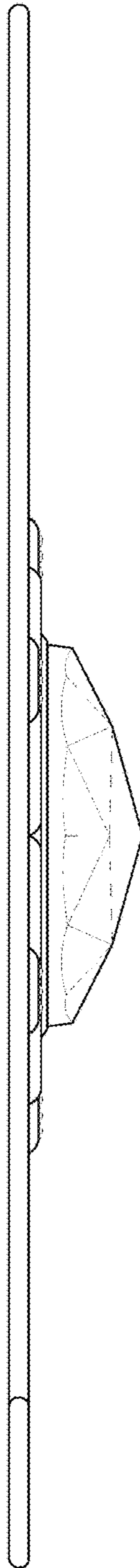


Fig. 4

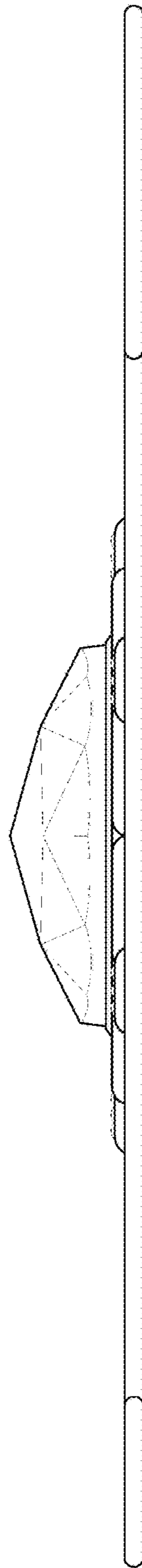


Fig. 5

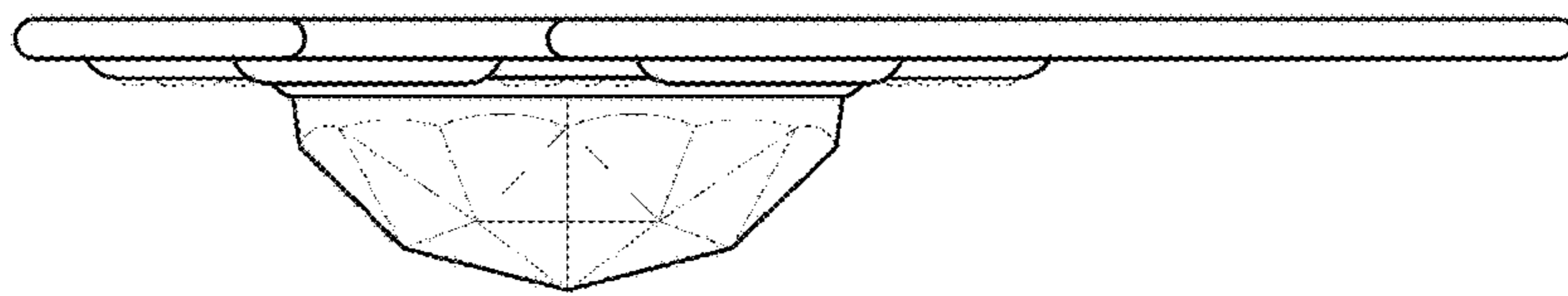


Fig. 6

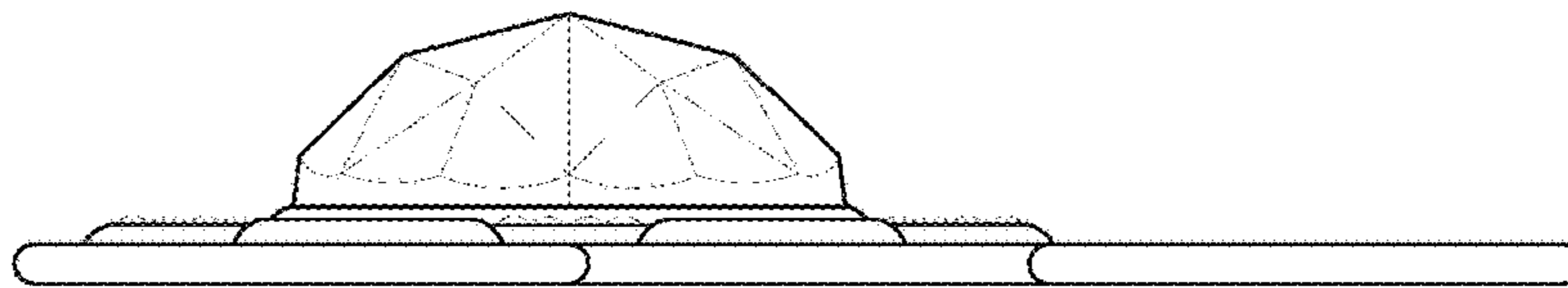


Fig. 7