



US00D832684S

(12) **United States Design Patent**  
**Moore**

(10) **Patent No.:** **US D832,684 S**

(45) **Date of Patent:** **\*\* Nov. 6, 2018**

(54) **FLAG STOPPER**

(71) Applicant: **Cynthia Marie Moore**, Houma, LA  
(US)

(72) Inventor: **Cynthia Marie Moore**, Houma, LA  
(US)

(\*\*) Term: **15 Years**

(21) Appl. No.: **29/607,739**

(22) Filed: **Jun. 15, 2017**

**Related U.S. Application Data**

(63) Continuation-in-part of application No. 15/622,070,  
filed on Jun. 13, 2017.

(51) **LOC (11) Cl.** ..... **08-05**

(52) **U.S. Cl.**  
USPC ..... **D8/367**

(58) **Field of Classification Search**  
USPC ..... D8/350-353, 367; D7/624.1; D11/40,  
D11/43, 75, 79, 181, 182; D3/10, 12  
CPC ..... G09F 17/00; G09F 2017/0008; G09F  
2017/0058; F16M 13/02  
See application file for complete search history.

(56) **References Cited**

**U.S. PATENT DOCUMENTS**

D22,820 S *	10/1893	McGill	.....	D8/367
D260,502 S *	9/1981	Vafi	.....	D11/75
D264,303 S *	5/1982	Einhorn	.....	D8/367
D266,374 S *	10/1982	Drake	.....	D3/207
D270,144 S *	8/1983	Bruce	.....	D11/75
D372,209 S *	7/1996	Willis	.....	D11/181
D412,100 S *	7/1999	Kruse	.....	D8/367
D629,675 S *	12/2010	Goodman	.....	D8/367
D631,334 S *	1/2011	Goodman	.....	D8/367
D646,151 S *	10/2011	Potts	.....	D8/367
D656,389 S *	3/2012	Goodman	.....	D8/367
D671,818 S *	12/2012	Taylor	.....	D8/367
D675,085 S *	1/2013	Murphy	.....	D8/367
D757,455 S *	5/2016	Belcher	.....	D6/328

D761,639 S *	7/2016	Hsu	.....	D8/367
D818,804 S *	5/2018	Moore	.....	D8/367
2008/0299407 A1 *	12/2008	Amboy	.....	B44C 5/04 428/542.2

(Continued)

**OTHER PUBLICATIONS**

Fleur De Lis, Diverse Woodworking, reviewed on May 2, 2016 on amazon.com, retrieved on Jun. 13, 2018, retrieved from the Internet URL: [https://www.amazon.com/Style-Cutout-Unfinished-Symbol-Cutouts/dp/B01AARJ684/ref=pd\\_lpo\\_sbs\\_201\\_t\\_2?\\_encoding=UTF8&psc=1&refRID=WDHS8AXRR6RPM2CAZ52](https://www.amazon.com/Style-Cutout-Unfinished-Symbol-Cutouts/dp/B01AARJ684/ref=pd_lpo_sbs_201_t_2?_encoding=UTF8&psc=1&refRID=WDHS8AXRR6RPM2CAZ52).\*

*Primary Examiner* — Jennifer Rivard

*Assistant Examiner* — Alison M Ofstun

(74) *Attorney, Agent, or Firm* — Norton IP Law Firm;  
Taylor M. Norton

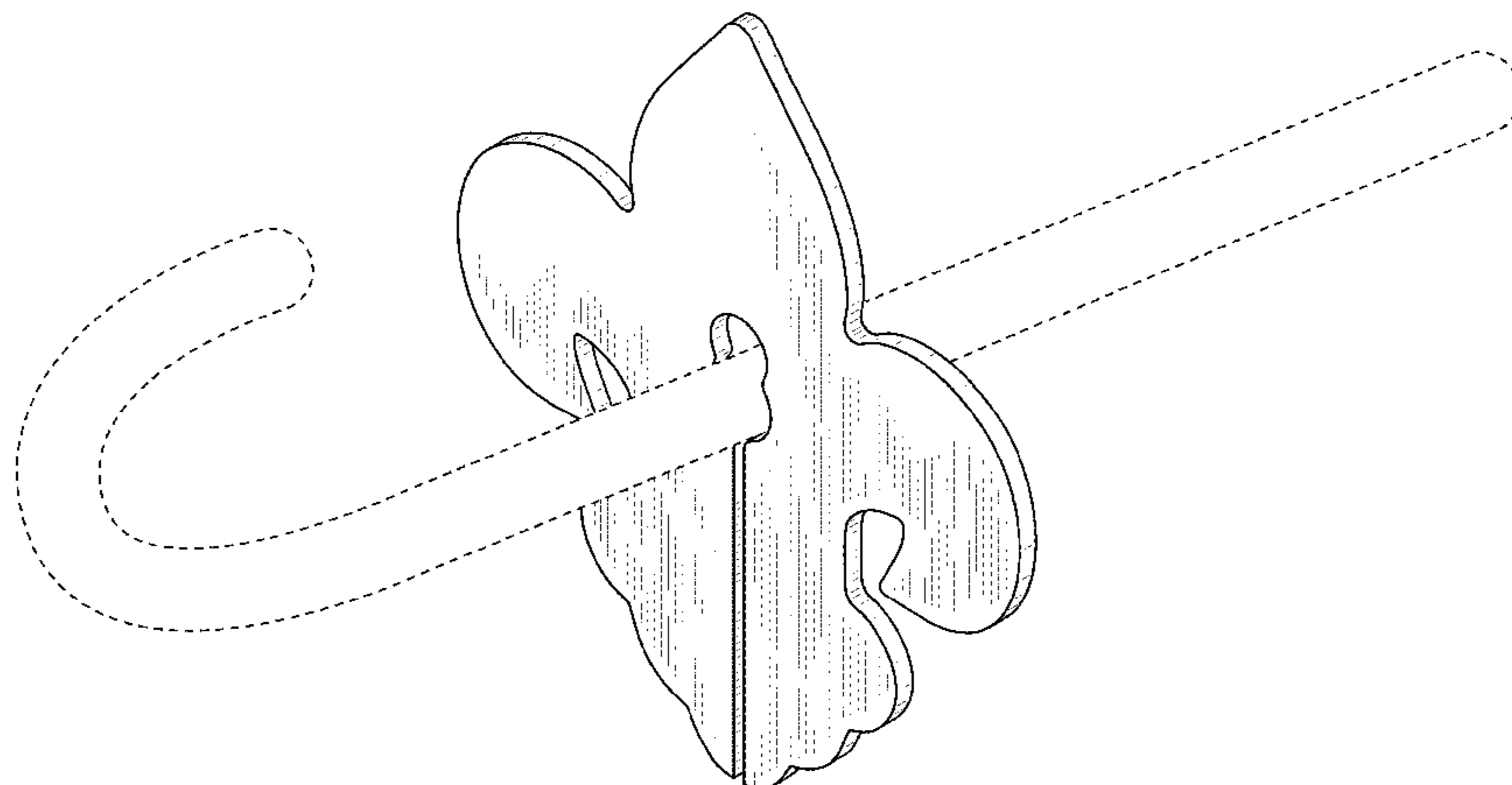
(57) **CLAIM**

The ornamental design for a flag stopper, as shown and described.

**DESCRIPTION**

FIG. 1 is a perspective view of a flag stopper showing my new design, as attached to an exemplary flagpole;  
FIG. 2 is a front elevation view thereof with the exemplary flagpole removed, the rear elevation view being a mirror image of the front elevation view;  
FIG. 3 is a right side elevation view thereof, the left side elevation view being a mirror image of the right side elevation view;  
FIG. 4 is a top plan view thereof;  
FIG. 5 is a bottom plan view thereof;  
FIG. 6 is a perspective view of an alternative embodiment of the flag stopper; and,  
FIG. 7. is a front elevation view of the alternative embodiment of FIG. 6.  
The broken lines in the figures represent environmental subject matter which forms no part of the claimed design.

**1 Claim, 6 Drawing Sheets**



(56)

**References Cited**

U.S. PATENT DOCUMENTS

2013/0255118 A1\* 10/2013 Warren ..... G09F 13/0404  
40/572  
2016/0348833 A1\* 12/2016 Peterson ..... F16M 13/022  
2017/0340813 A1\* 11/2017 Walther ..... F16M 13/02  
2018/0053454 A1\* 2/2018 Moore ..... F16M 13/02

\* cited by examiner

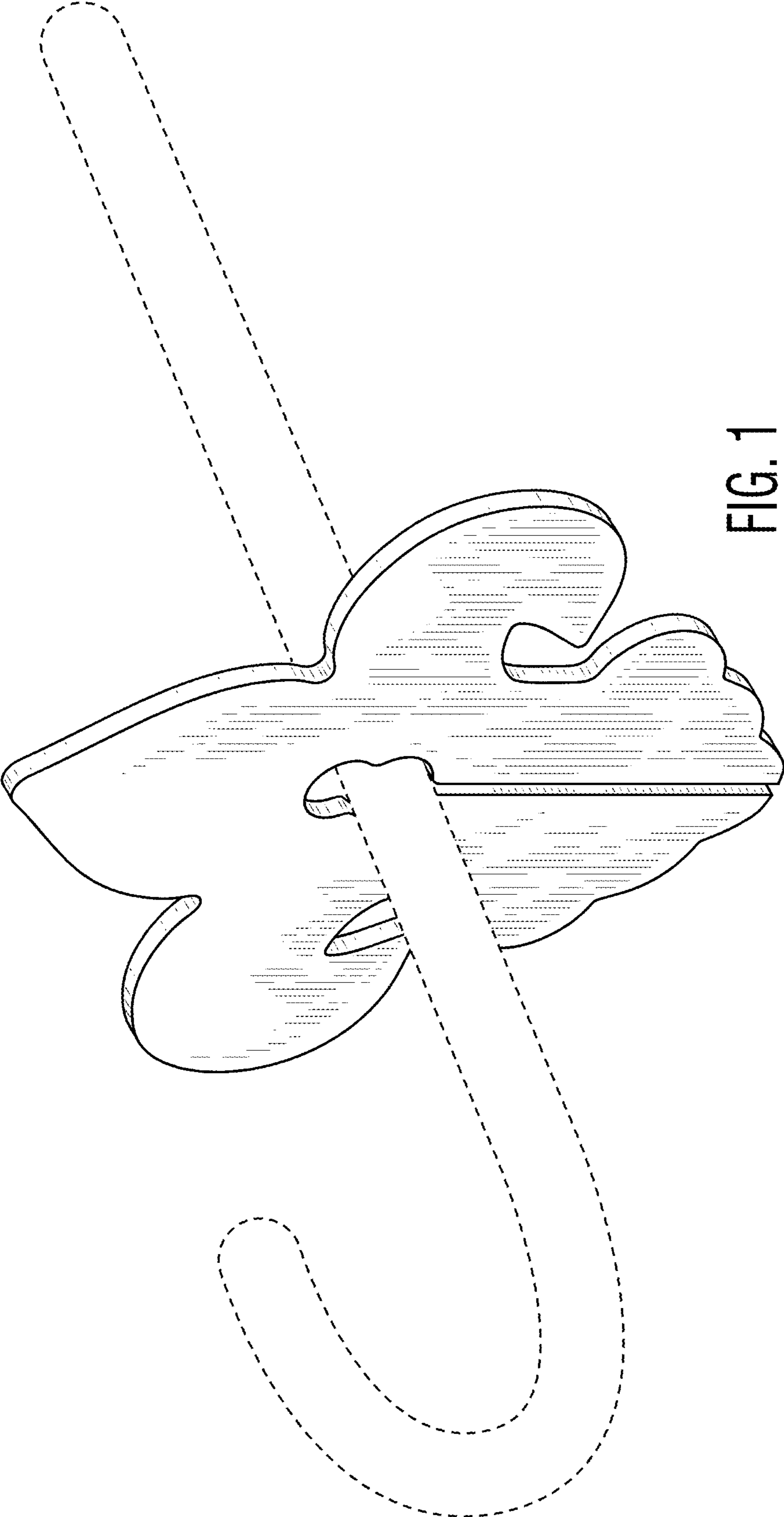


FIG. 1

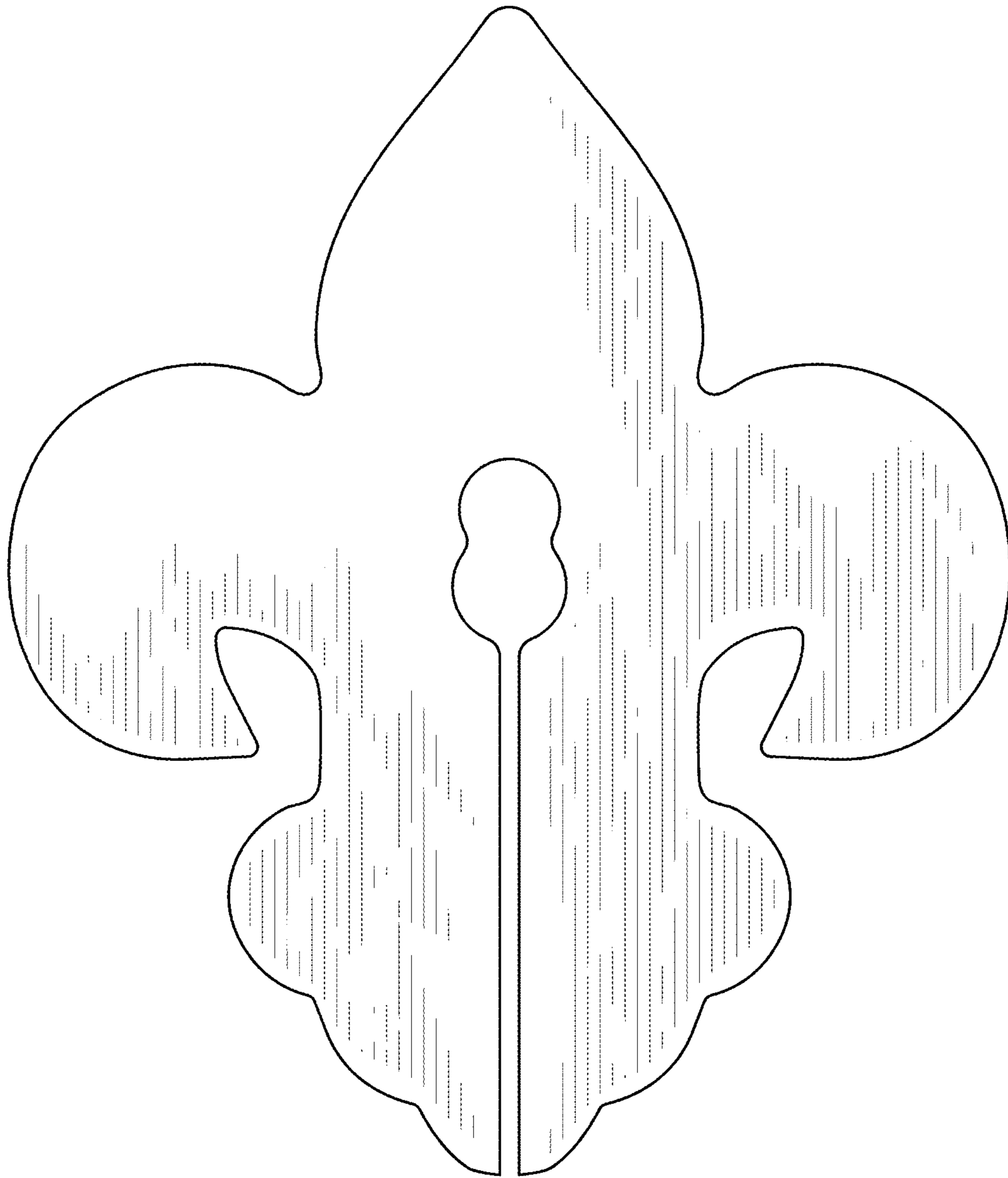


FIG. 2



FIG. 3

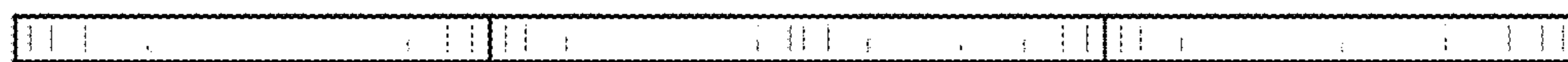


FIG. 4



FIG. 5

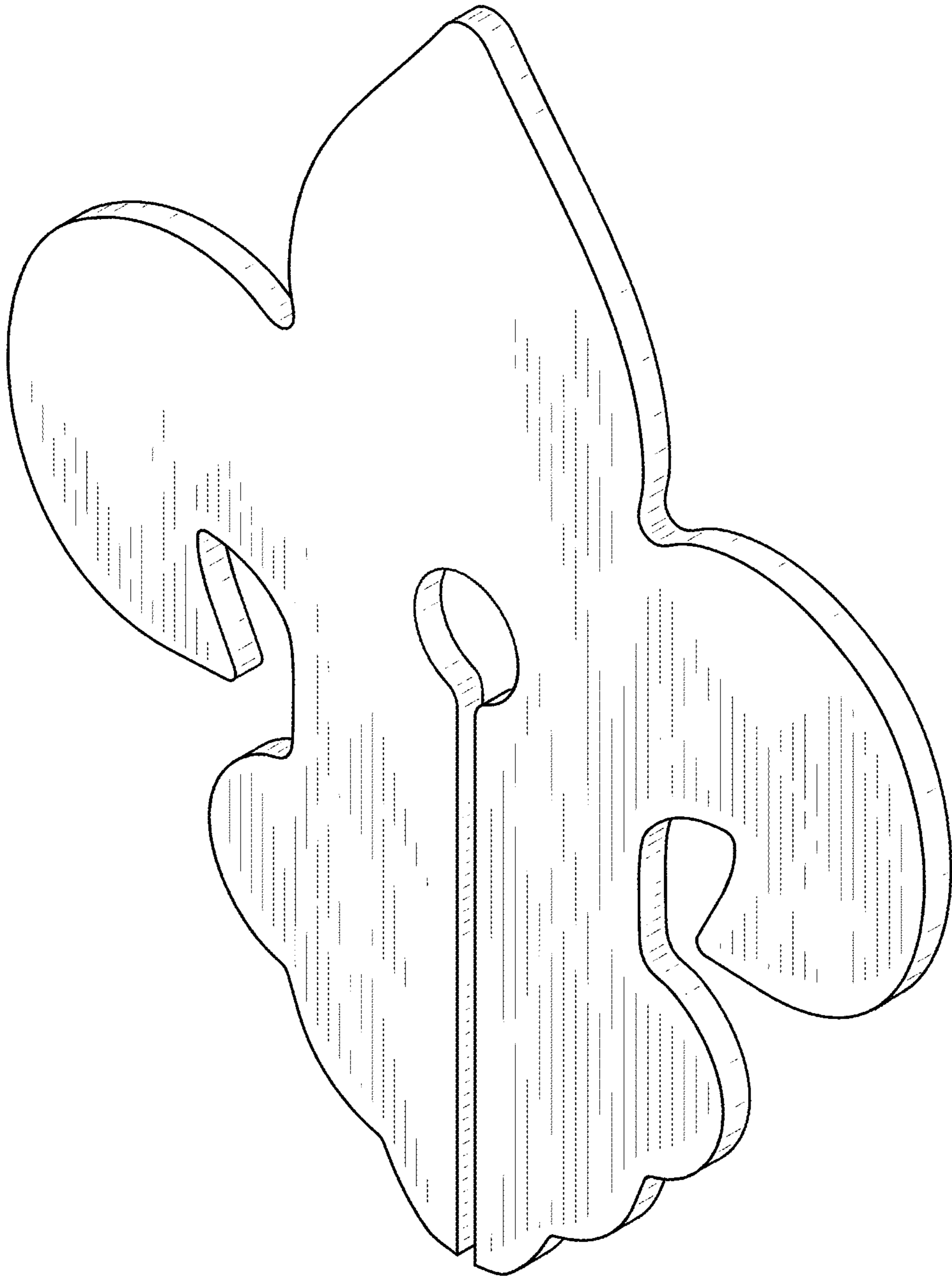


FIG. 6

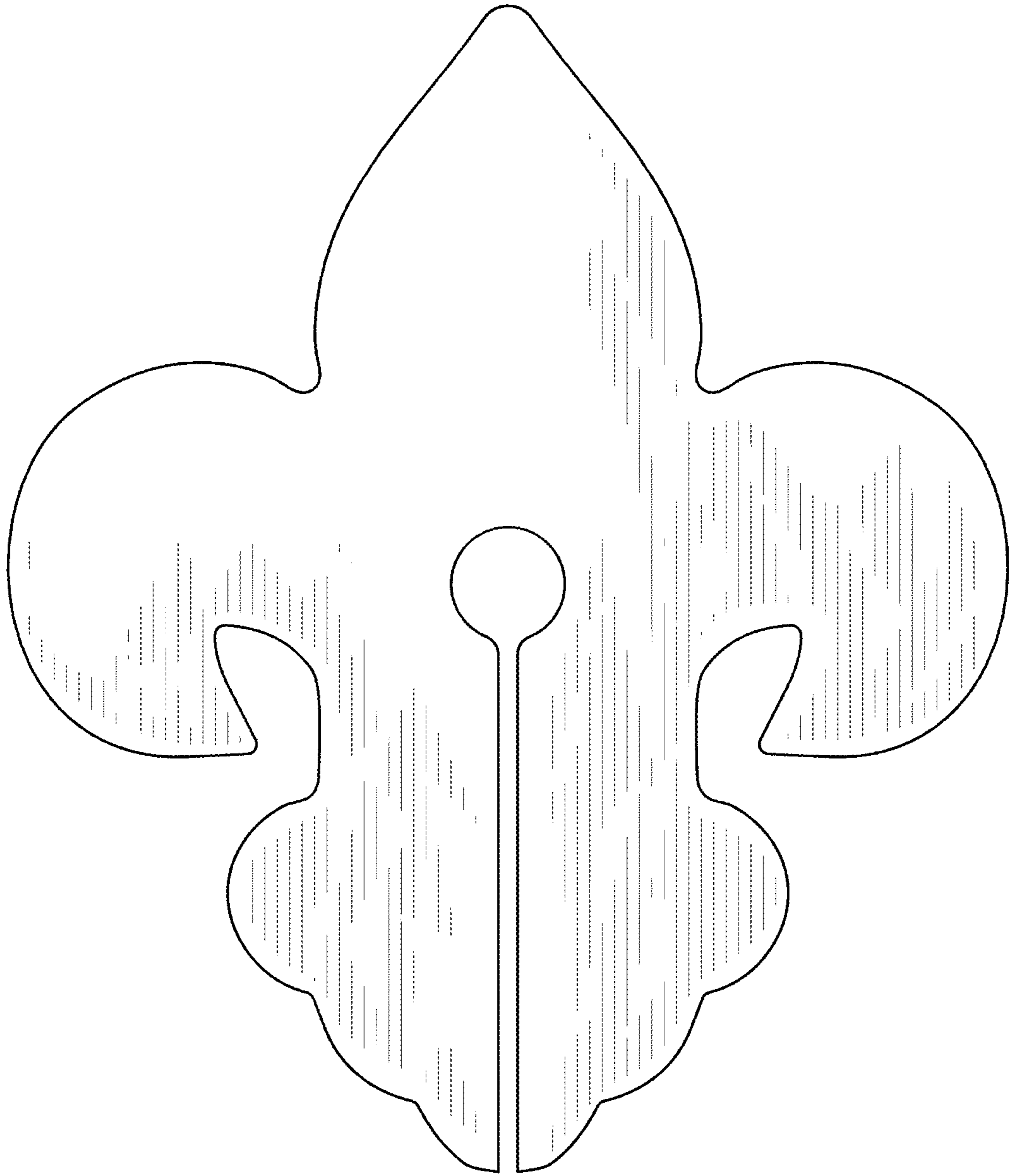


FIG. 7