

US00D832681S

(12) **United States Design Patent**
Leum

(10) **Patent No.:** **US D832,681 S**

(45) **Date of Patent:** **** Nov. 6, 2018**

- (54) **FLOOR SLEEVE INSERT**
- (71) Applicant: **Grant Leum**, Excelsior, MN (US)
- (72) Inventor: **Grant Leum**, Excelsior, MN (US)
- (**) Term: **15 Years**
- (21) Appl. No.: **29/636,320**
- (22) Filed: **Feb. 7, 2018**

Related U.S. Application Data

- (63) Continuation of application No. 14/609,183, filed on Jan. 29, 2015.
- (51) **LOC (11) Cl.** **08-05**
- (52) **U.S. Cl.**
USPC **D8/354**
- (58) **Field of Classification Search**
USPC D8/71, 349, 354, 363, 373, 380, 382,
D8/388, 394, 499; D25/41.1, 38.1, 68;
D12/317, 316
CPC B61B 1/02; B65G 69/2888; B65G 69/30;
E04H 17/16; E04H 17/26; E04H 4/06;
E04H 12/2269; E04F 21/0092; E01F
13/024; E01F 13/044; E01F 13/026; E01F
13/028; G01B 3/30
See application file for complete search history.

(56) **References Cited**

U.S. PATENT DOCUMENTS

- D291,055 S * 7/1987 Fukuhara 174/138 D
- D291,057 S * 7/1987 Shiraishi 174/138 D
- 5,090,165 A * 2/1992 Kenny E04H 12/2292
52/165
- D352,450 S * 11/1994 Jetter D8/373
- 5,560,117 A * 10/1996 Tallman E01C 9/086
33/526

- 5,868,537 A * 2/1999 Latal F16B 21/084
411/418
- D510,699 S * 10/2005 Crain D10/74
- D513,969 S * 1/2006 Schurr D8/354
- D527,621 S * 9/2006 Russell D8/388
- D570,198 S * 6/2008 Mamula D8/354
- D630,085 S * 1/2011 Zant D8/354
- D643,708 S * 8/2011 Hecht D8/394
- D659,525 S * 5/2012 Boucher-Gagne D8/394
- D745,346 S * 12/2015 Birgl D8/14
- 9,260,258 B1 * 2/2016 Leum E06B 11/00
- D756,760 S * 5/2016 Fay, II D15/17
- D794,425 S * 8/2017 Thompson D8/354
- D801,061 S * 10/2017 Wirth D6/328
- D815,939 S * 4/2018 Geiger D8/382
- 2003/0089833 A1 * 5/2003 Hsu E04H 12/2215
248/532
- 2003/0183815 A1 * 10/2003 Wang E04H 12/2215
256/65.14
- 2009/0320396 A1 * 12/2009 Knudsen E04H 12/2269
52/297

(Continued)

Primary Examiner — Sheryl Lane
Assistant Examiner — Ieisha N Price
 (74) *Attorney, Agent, or Firm* — Jansson Munger
 McKinley & Kirby Ltd.

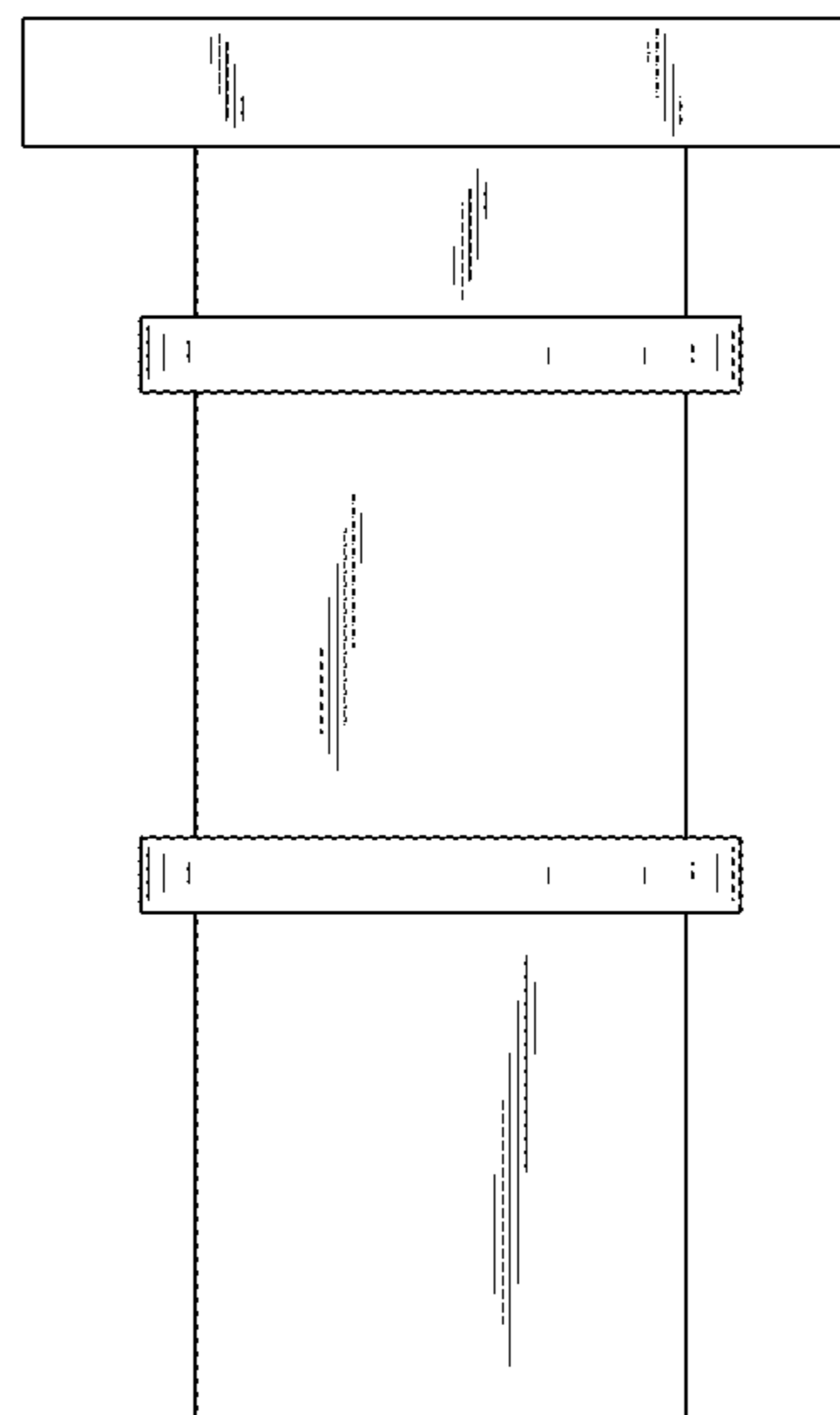
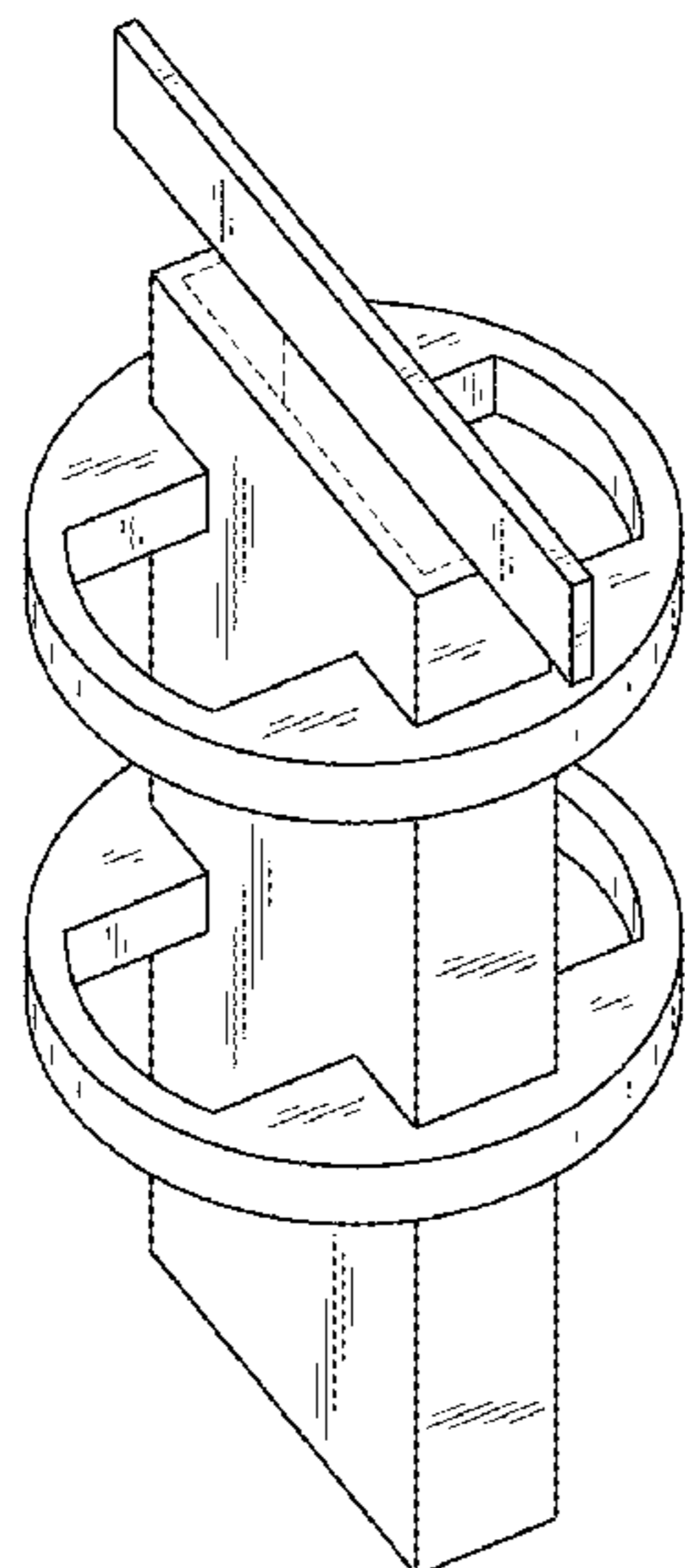
(57) **CLAIM**

The ornamental design for a floor sleeve insert, as shown and described.

DESCRIPTION

FIG. 1 is a perspective view of a floor sleeve insert;
 FIG. 2 is a front view of the floor sleeve insert of FIG. 1;
 FIG. 3 is a side view of the floor sleeve insert of FIG. 1;
 FIG. 4 is a top view of the floor sleeve insert of FIG. 1; and,
 FIG. 5 is a bottom view of the floor sleeve insert of FIG. 1.
 The broken lines in the drawings illustrate portions of the floor sleeve insert and form no part of the claimed design.

1 Claim, 3 Drawing Sheets



(56)

References Cited

U.S. PATENT DOCUMENTS

2013/0061555 A1* 3/2013 Knudsen E04G 21/02
52/834
2014/0033641 A1* 2/2014 Trevisi E04F 21/0092
52/749.1
2015/0191886 A1* 7/2015 Okobi E02D 5/801
52/157
2015/0197902 A1* 7/2015 Yeghiayan E01F 9/0117
248/545
2015/0225912 A1* 8/2015 Nunes E01F 15/083
256/13.1
2016/0107851 A1* 4/2016 Leum B65G 69/30
14/72.5
2016/0222612 A1* 8/2016 Leum B61B 1/02

* cited by examiner

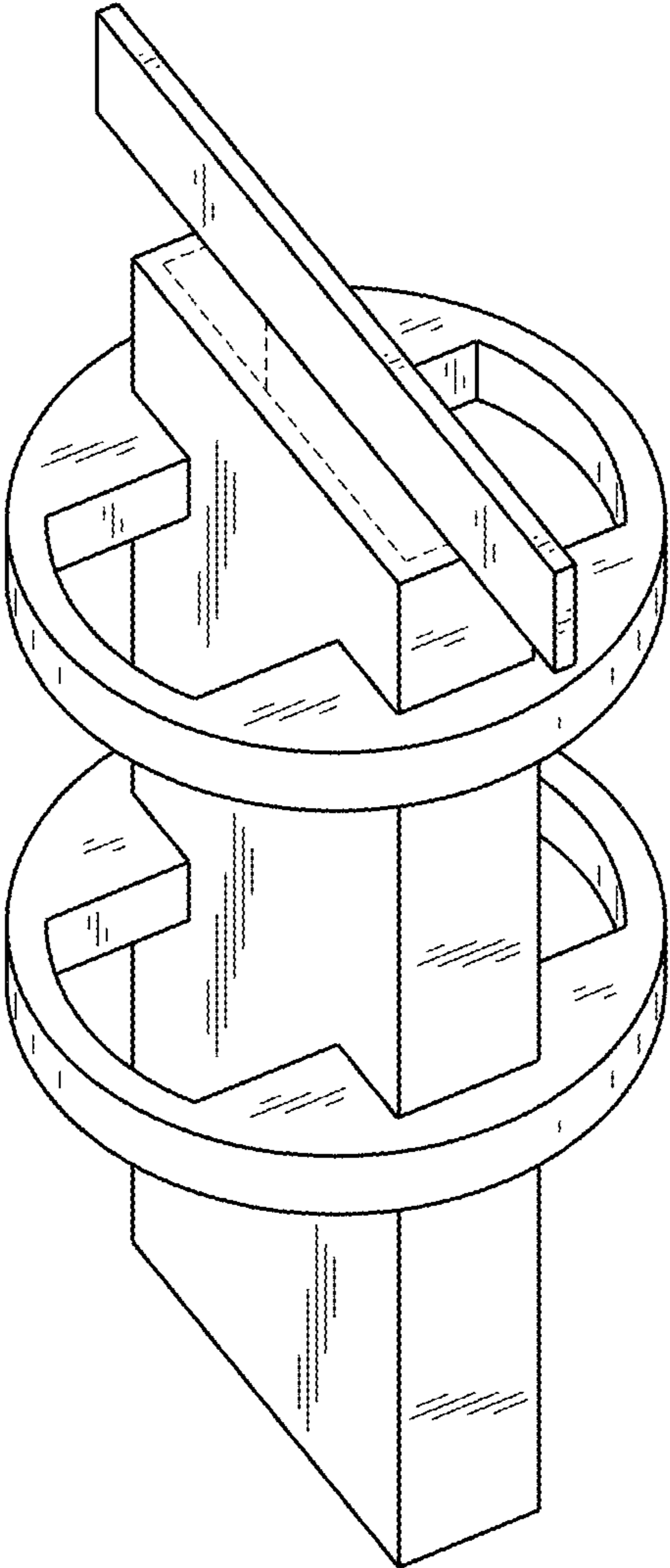


FIG. 1

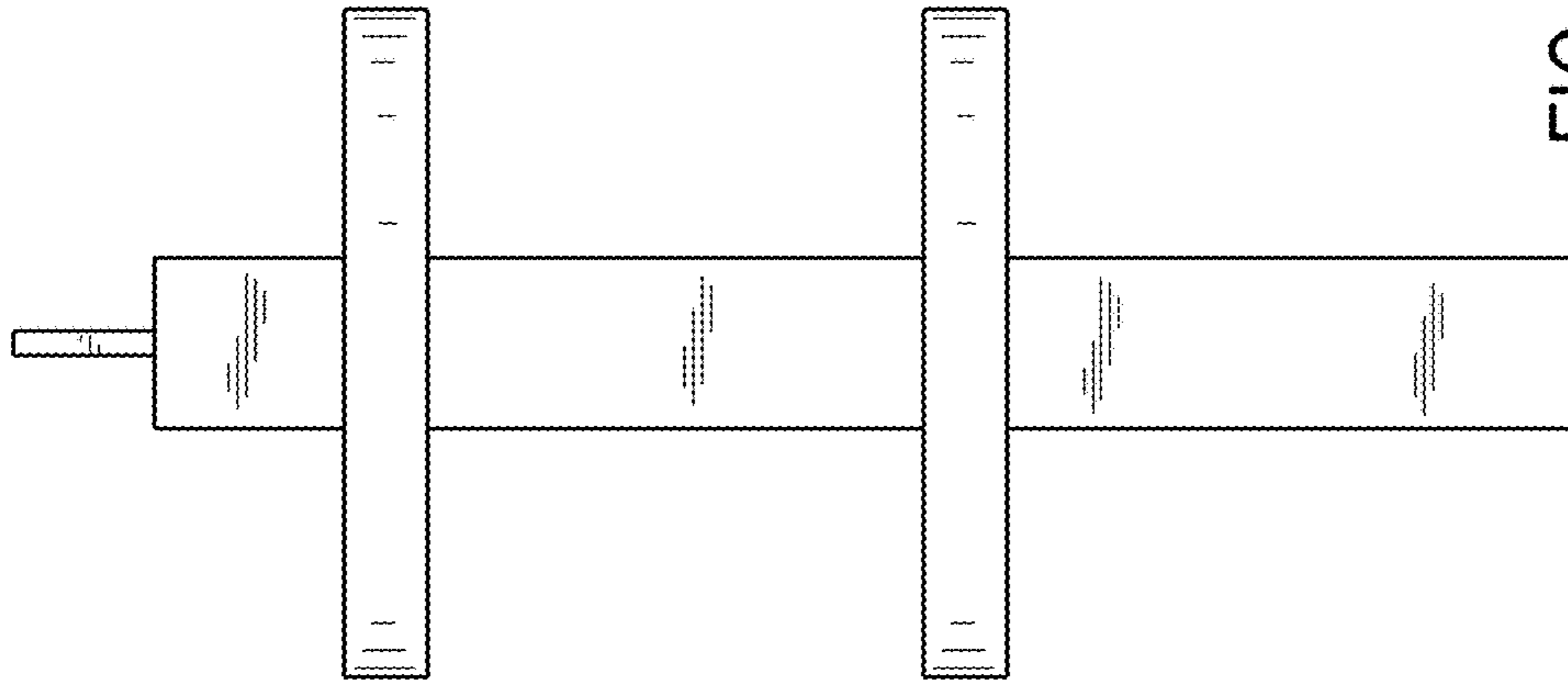


FIG. 3

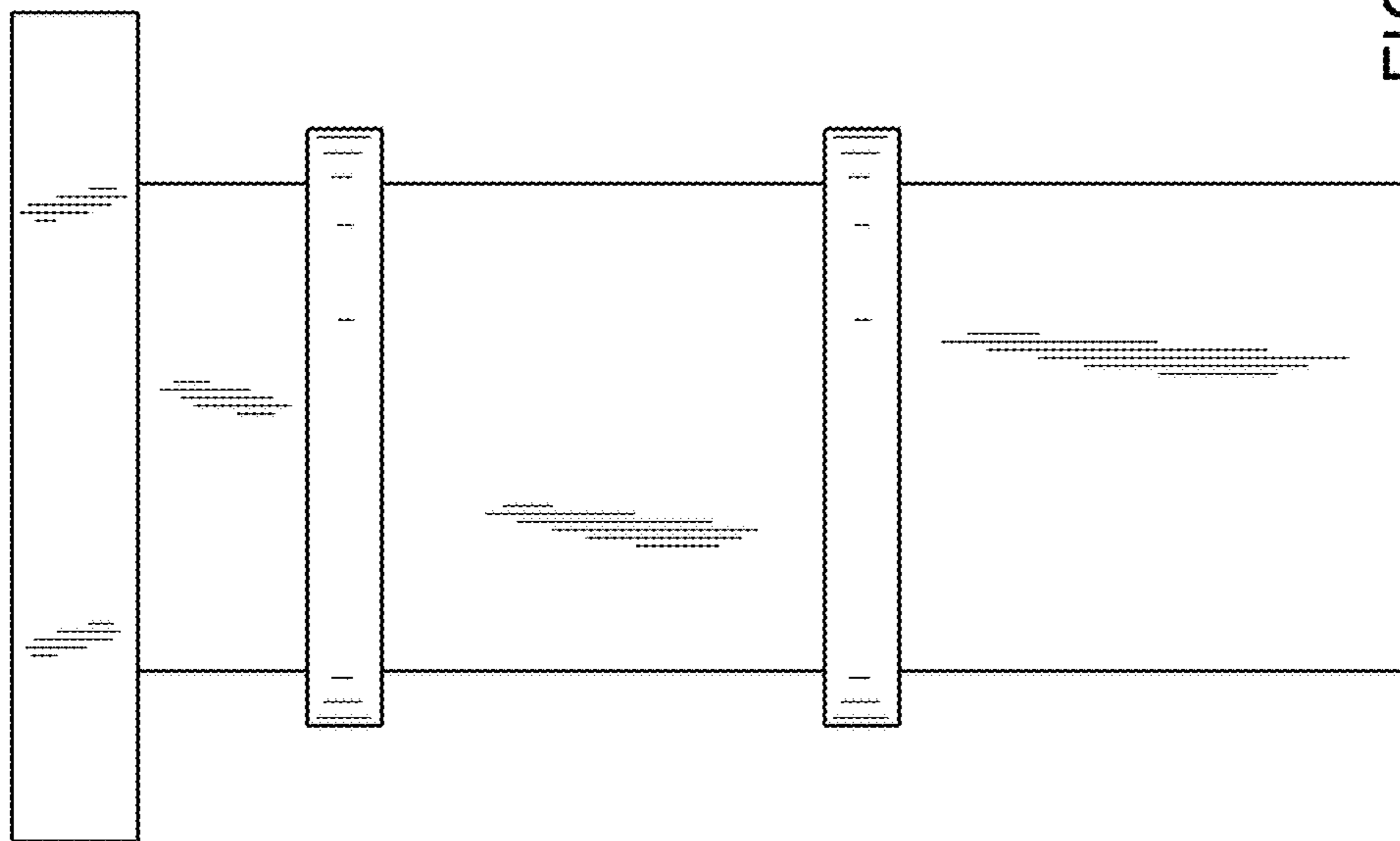


FIG. 2

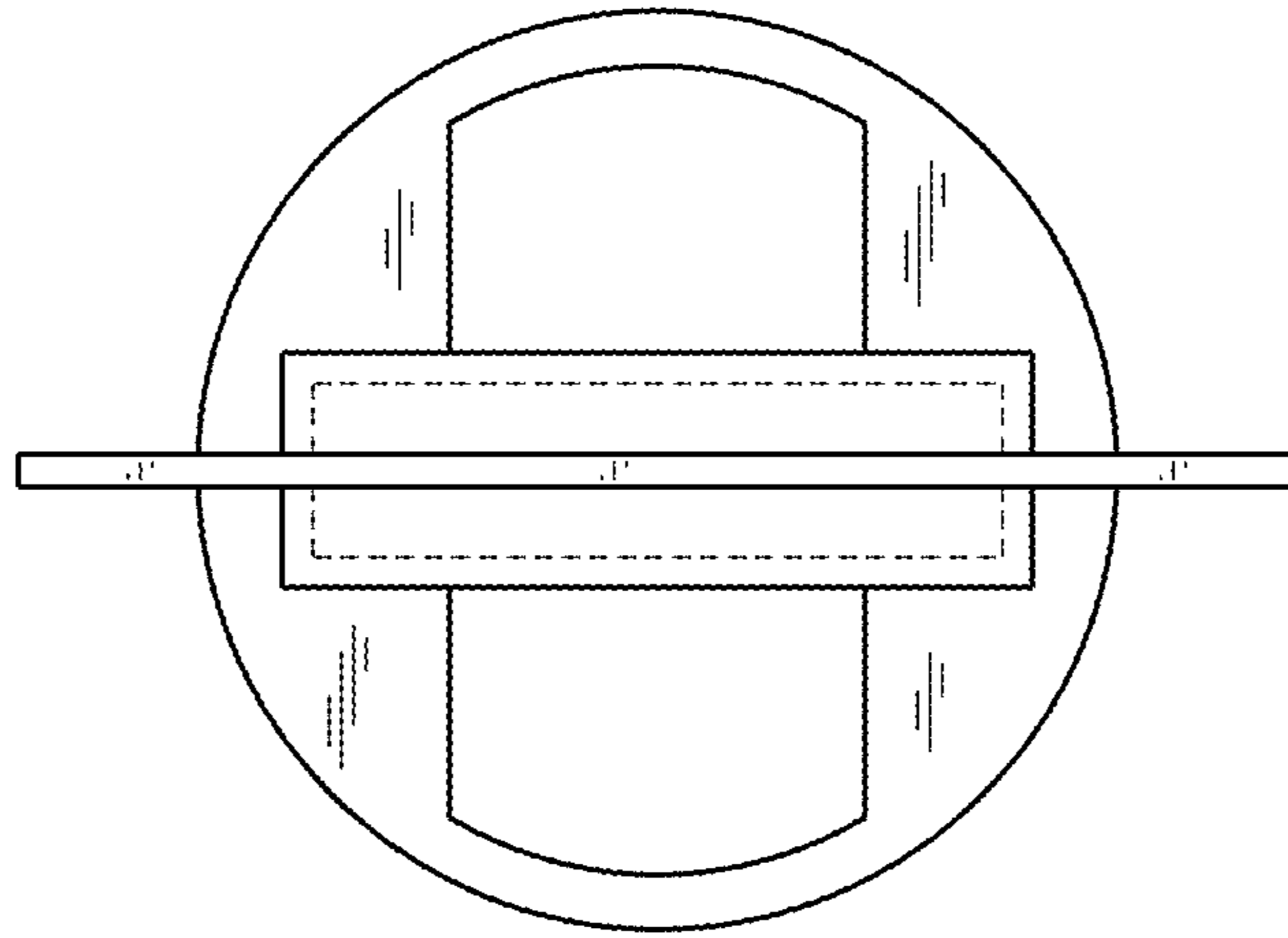


FIG. 4

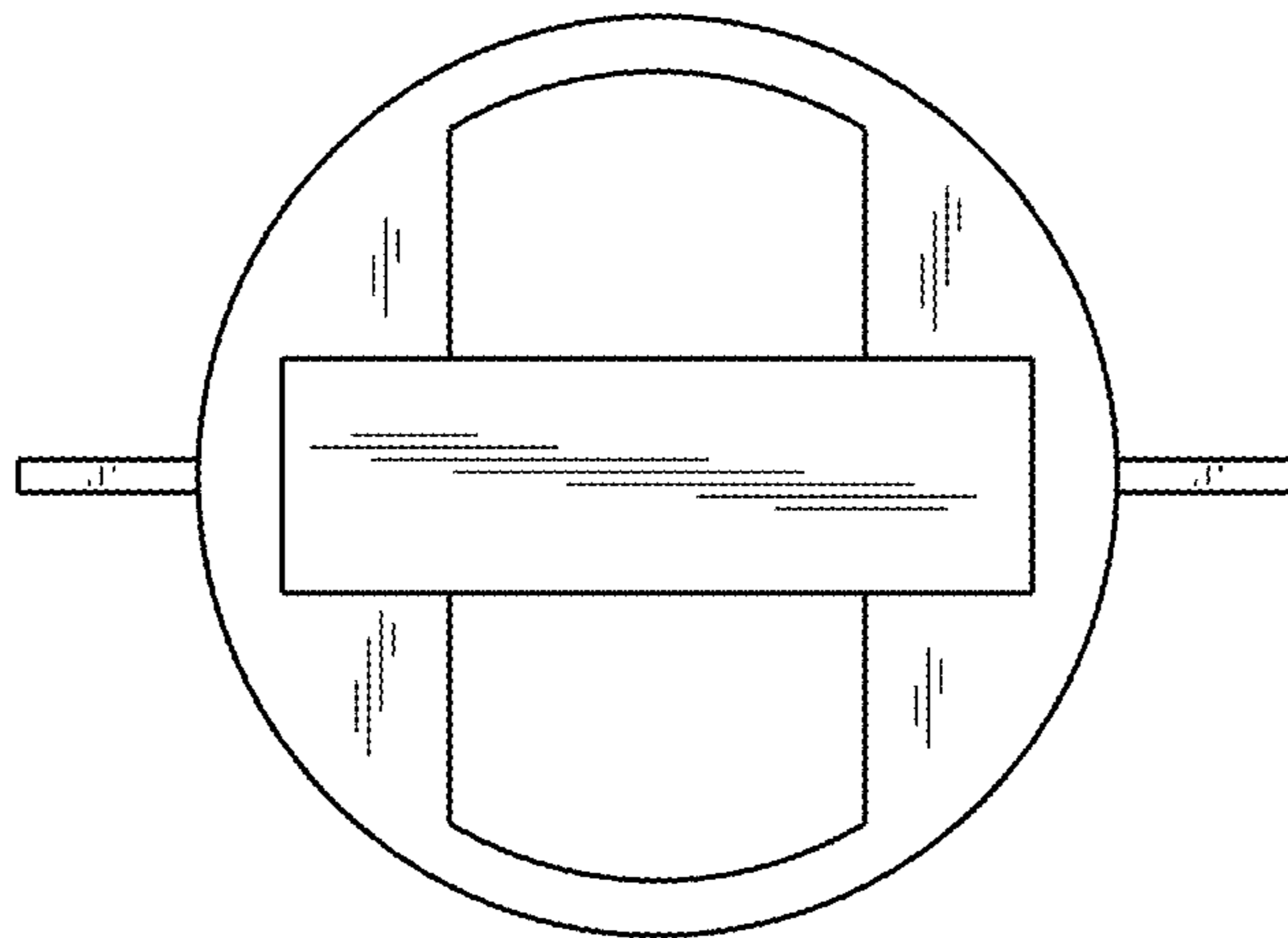


FIG. 5