



US00D832679S

(12) **United States Design Patent** (10) **Patent No.:** **US D832,679 S**  
**Macdonald et al.** (45) **Date of Patent:** **\*\* \*Nov. 6, 2018**

(54) **PANEL ATTACHMENT EXTRUSION WITH KEY**

(71) Applicant: **Exterior Wall Systems Ltd.**, London (CA)

(72) Inventors: **Robert B. Macdonald**, London (CA);  
**Philip A. Macdonald**, London (CA)

(73) Assignee: **Exterior Wall Systems Limited**,  
London, Ontario

(\*) Notice: This patent is subject to a terminal disclaimer.

(\*\*) Term: **15 Years**

(21) Appl. No.: **29/543,478**

(22) Filed: **Oct. 25, 2015**

**Related U.S. Application Data**

(60) Division of application No. 29/464,559, filed on Aug. 19, 2013, now Pat. No. Des. 744,667, which is a continuation-in-part of application No. 13/329,409, filed on Dec. 19, 2011, now abandoned.

(51) **LOC (11) Cl.** ..... **25-01**

(52) **U.S. Cl.**  
USPC ..... **D8/349**

(58) **Field of Classification Search**

USPC ..... D8/349, 354–355, 380, 382–383, 394;  
D13/155, 102, 118, 154, 184, 199;  
D25/119, 123, 124, 125  
CPC ..... F24J 2/07; F24J 2/14; F24J 2/541; F24J  
2/542; F24J 2/38; Y02E 10/47; Y02E  
10/45; Y02E 10/50; Y02E 10/60; Y02E  
10/52; E04H 9/022; E04H 9/021; E02D  
27/34; E04B 1/98; H01L 35/00; H01L  
35/08; H01L 31/0522; H01L 31/052;  
H01L 31/042; H01L 31/05; H01L 31/048;  
H01L 31/045; H01L 31/055; H01L  
27/1423; B64G 1/443; B64G 1/222;  
B60G 2202/143

See application file for complete search history.

(56) **References Cited**

U.S. PATENT DOCUMENTS

D388,887 S \* 1/1998 Hersh ..... D25/124  
D395,526 S \* 6/1998 Porter ..... D25/124  
D400,080 S \* 10/1998 Beard, Jr. .... D25/102  
6,035,598 A \* 3/2000 Sukolics ..... E04F 13/081  
52/235

(Continued)

*Primary Examiner* — Rosemary K Tarcza

*Assistant Examiner* — Nathaniel D. Buckner

(74) *Attorney, Agent, or Firm* — Peter L. Brewer; Thrive IP

(57) **CLAIM**

We claim the ornamental design for an panel attachment extrusion with key, as shown and described.

**DESCRIPTION**

FIG. 1 is a perspective view of a panel attachment extrusion with key showing our new design, in an assembled configuration of use;

FIG. 2 is a top view thereof;

FIG. 3 is a first side view thereof;

FIG. 4 is a second side view thereof;

FIG. 5 is a front view thereof;

FIG. 6 is a rear view thereof;

FIG. 7 is a bottom view thereof;

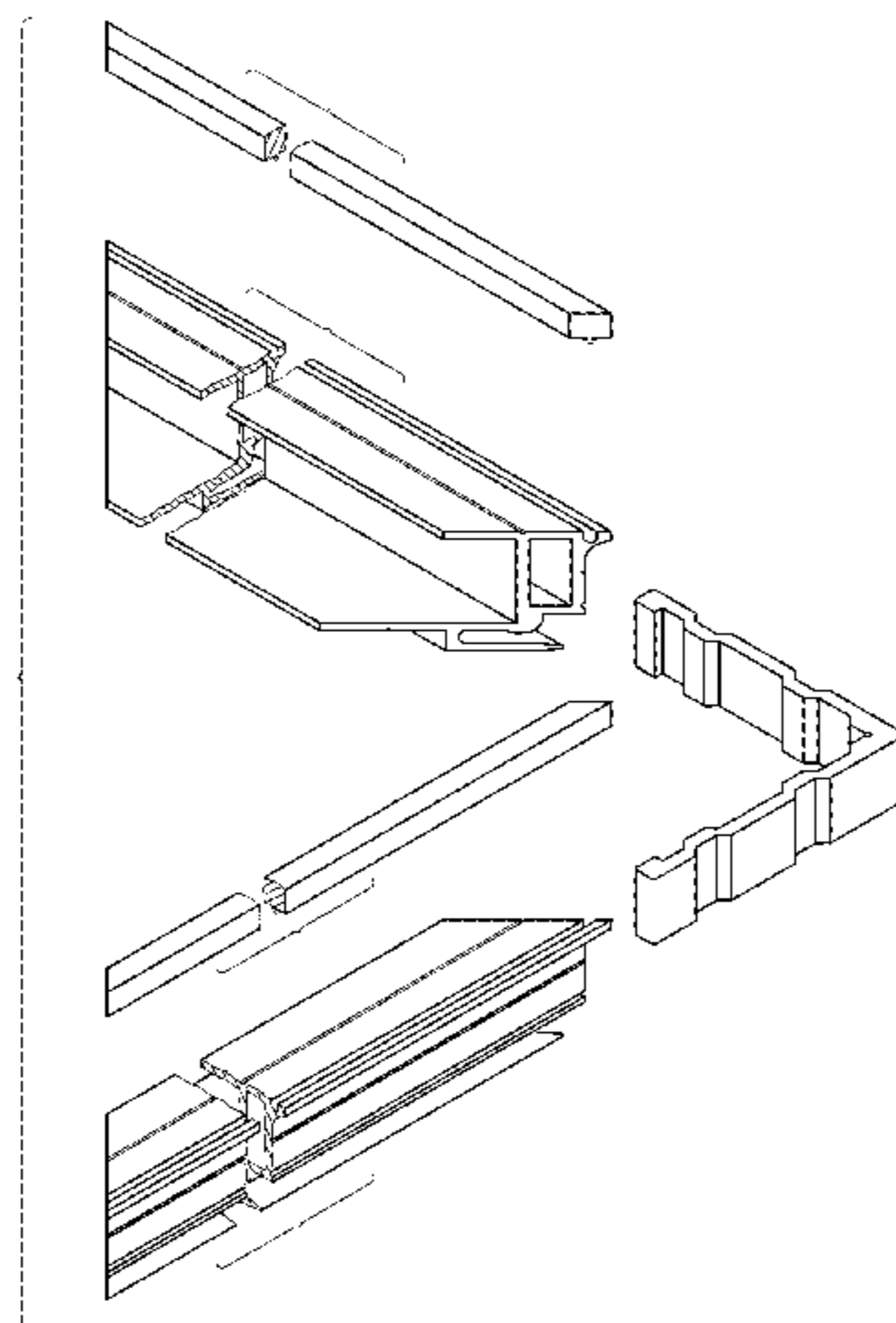
FIG. 8 is a perspective view thereof, shown in an exploded configuration;

FIG. 9 is a second perspective view thereof, shown in a second exploded configuration; and,

FIG. 10 is a third perspective view thereof, shown in an in environment of use.

The broken lines in the figures represent environmental structure or portions of the panel attachment extrusion with key that form no part of the claimed design

**1 Claim, 7 Drawing Sheets**





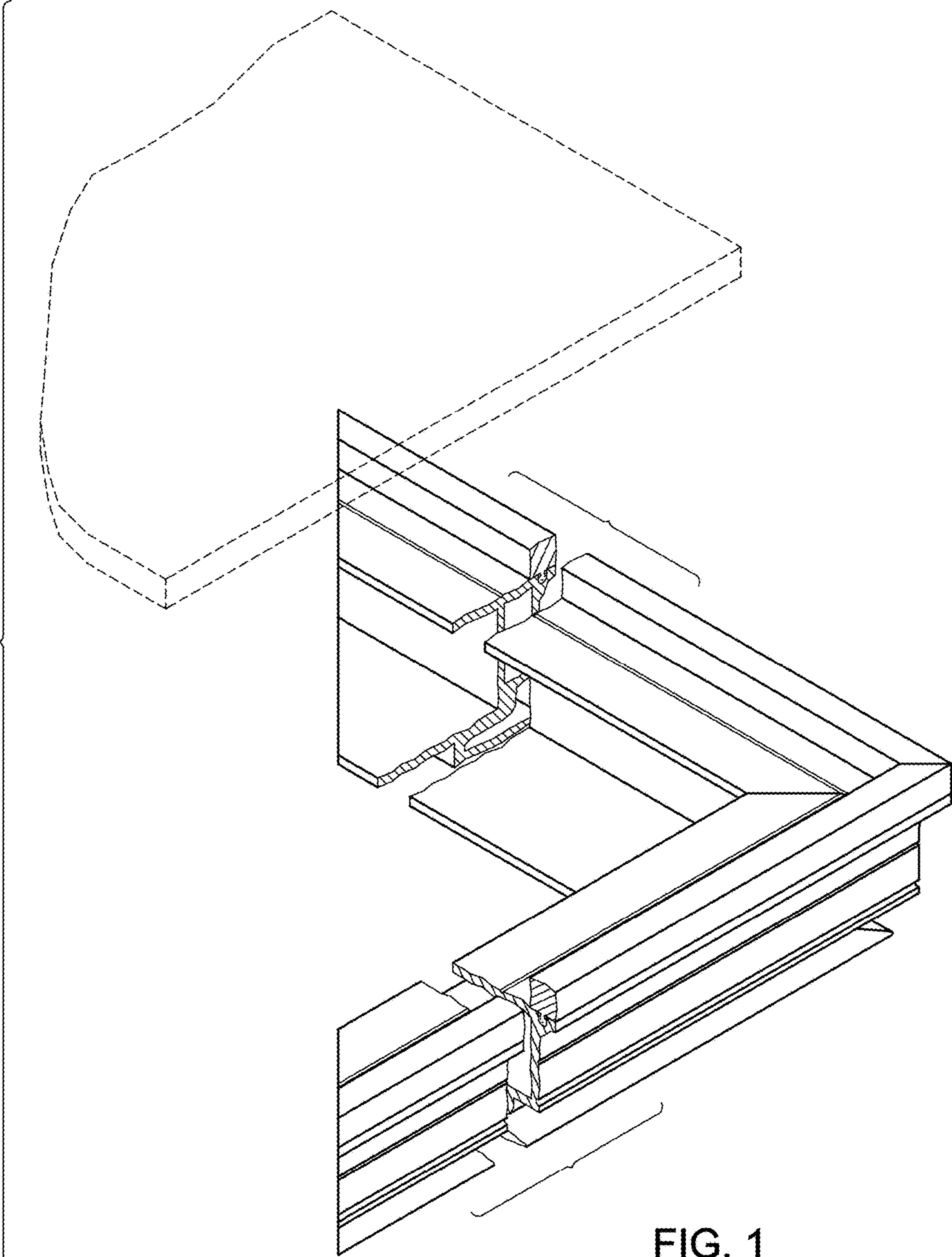


FIG. 1

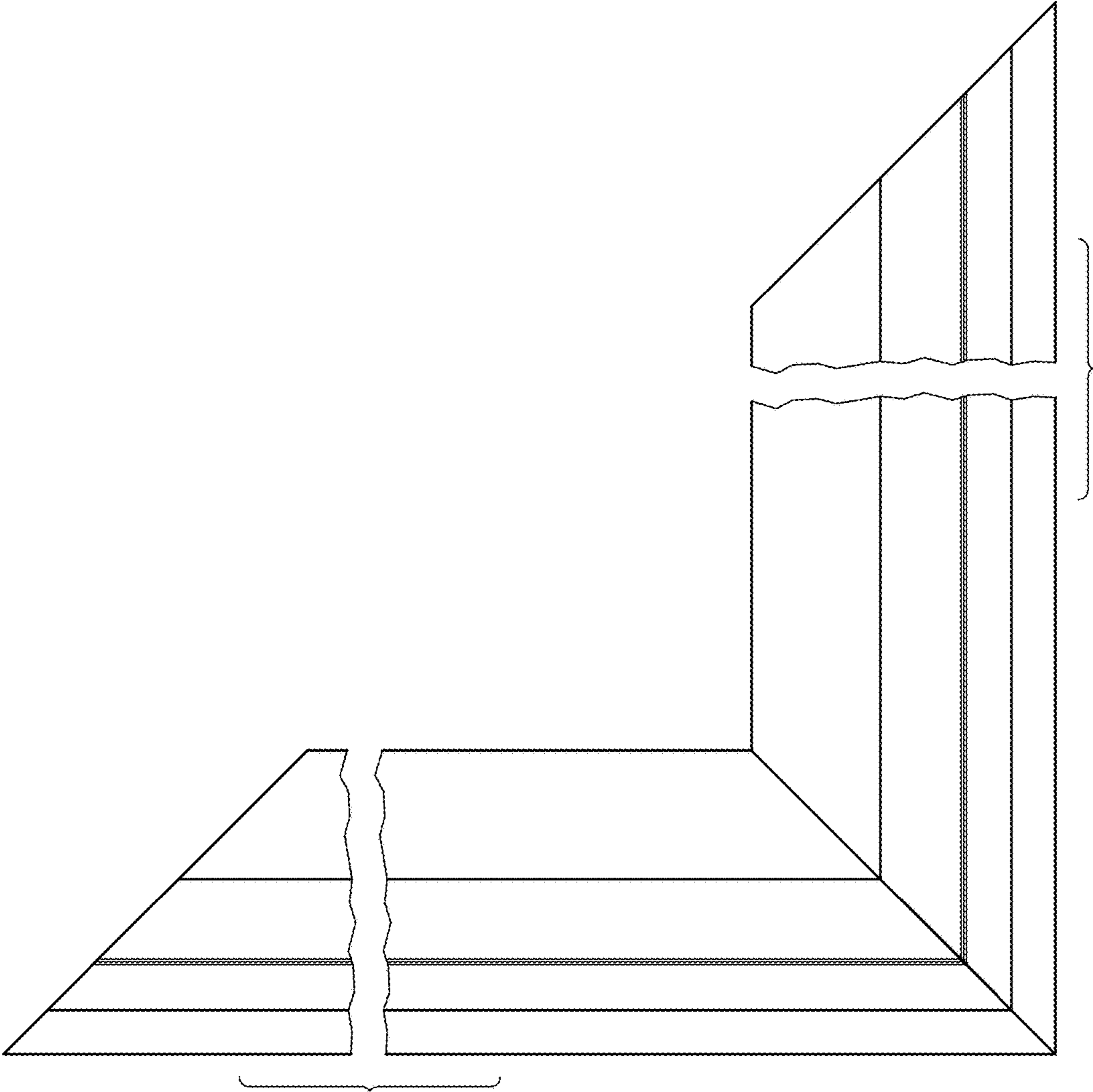


FIG. 2

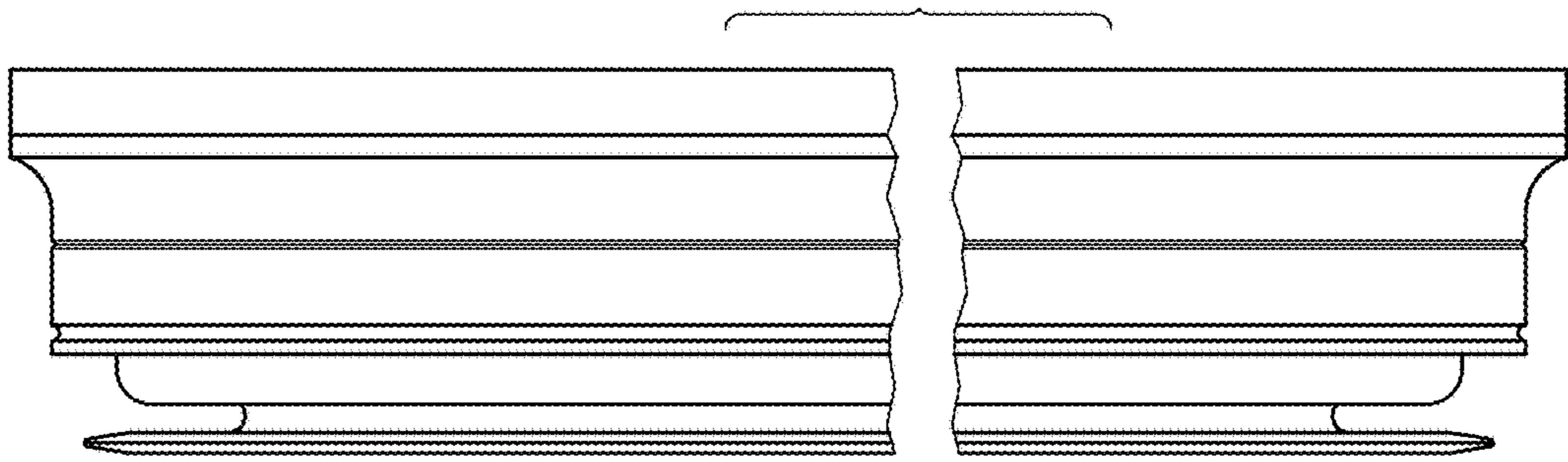


FIG. 3

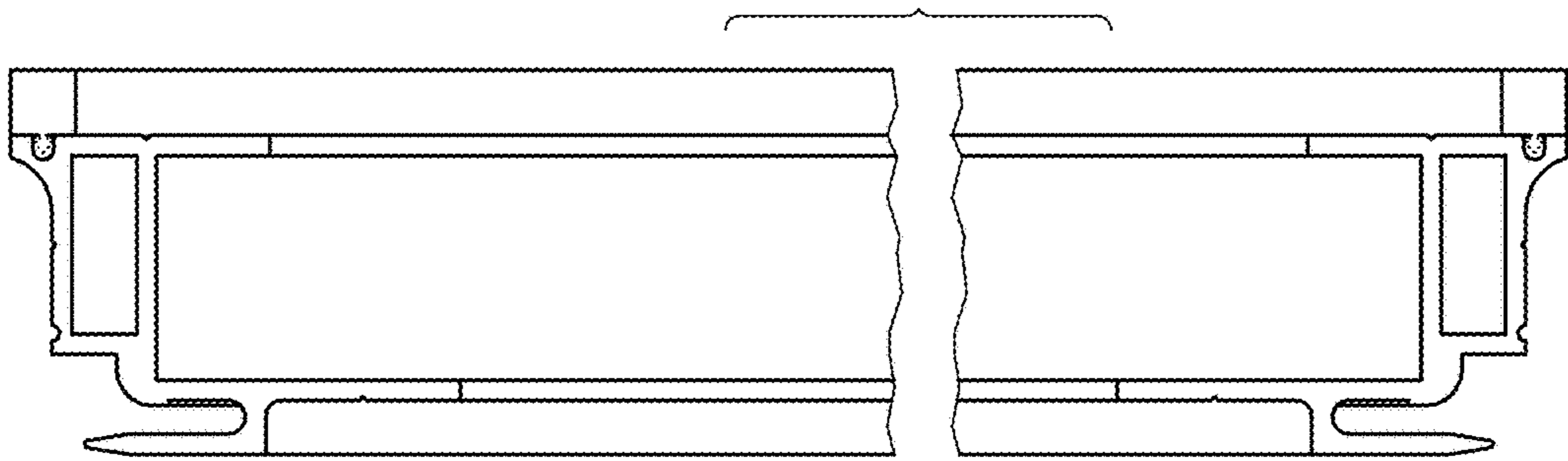


FIG. 4

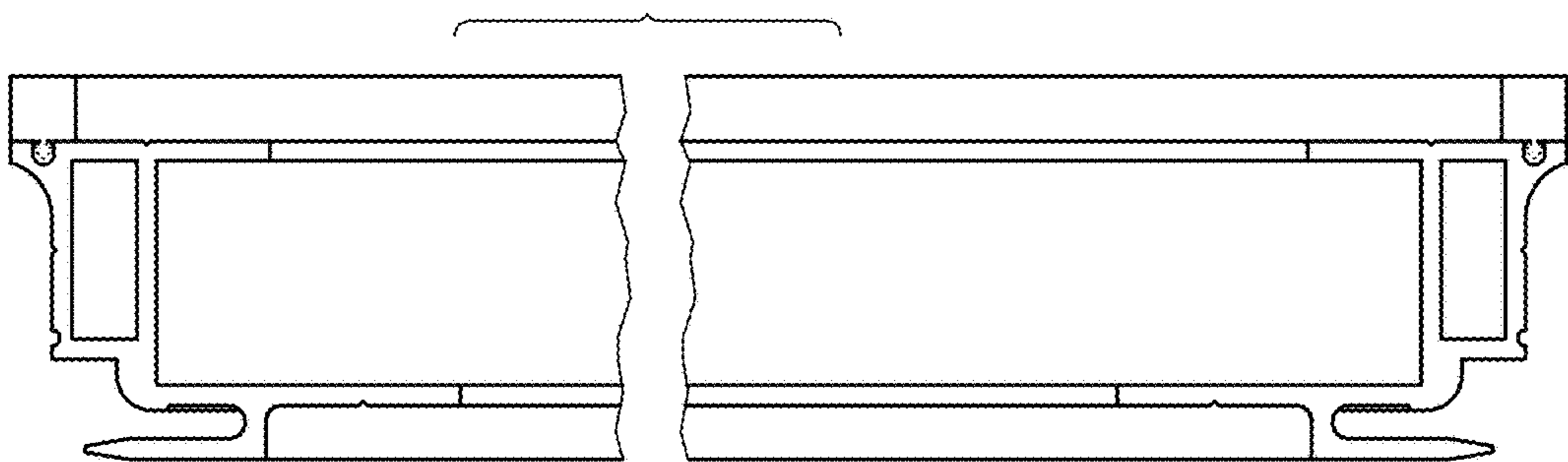


FIG. 5

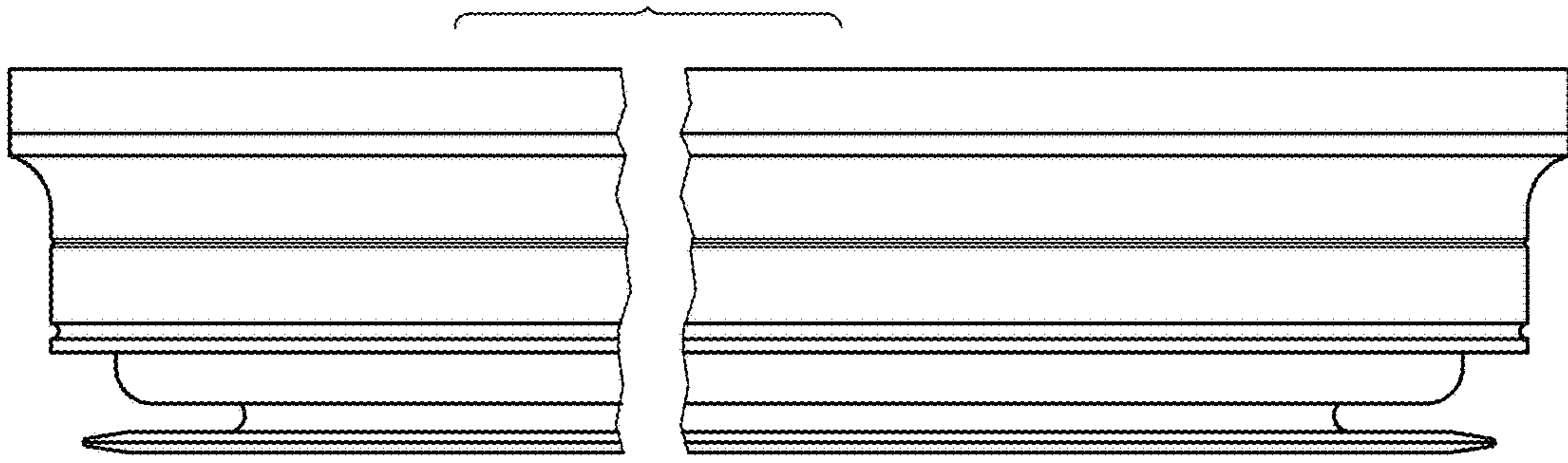


FIG. 6

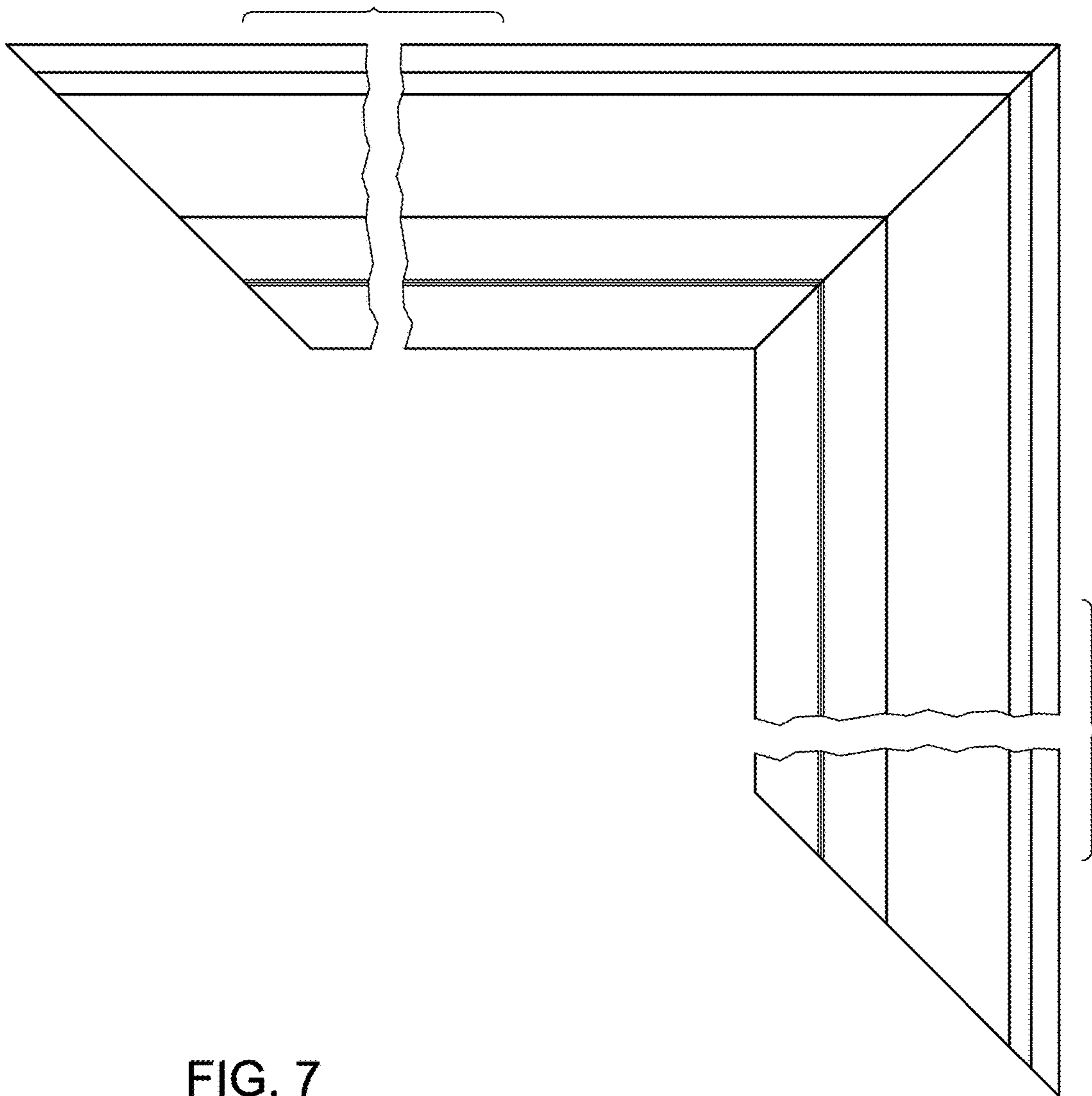


FIG. 7

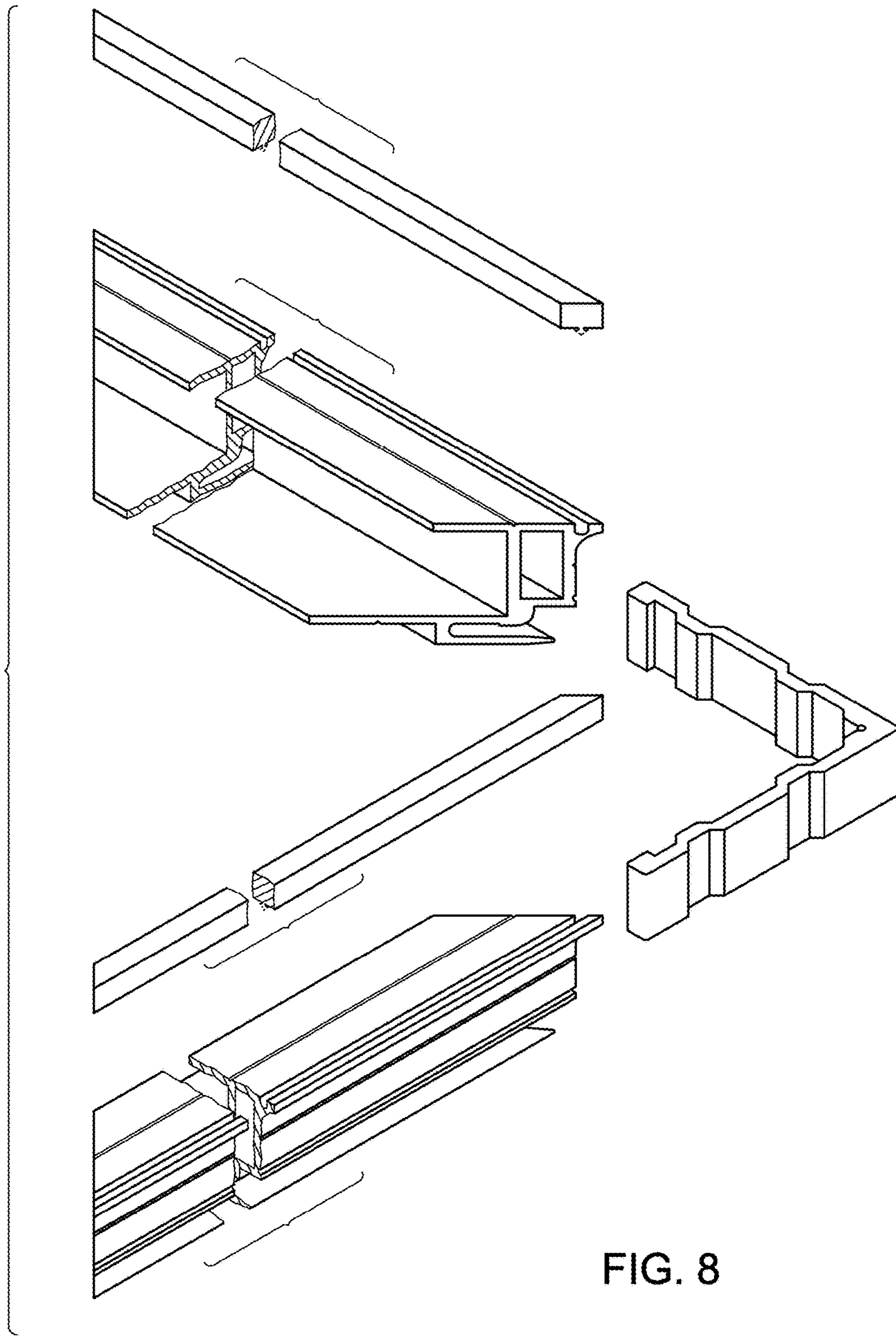


FIG. 8

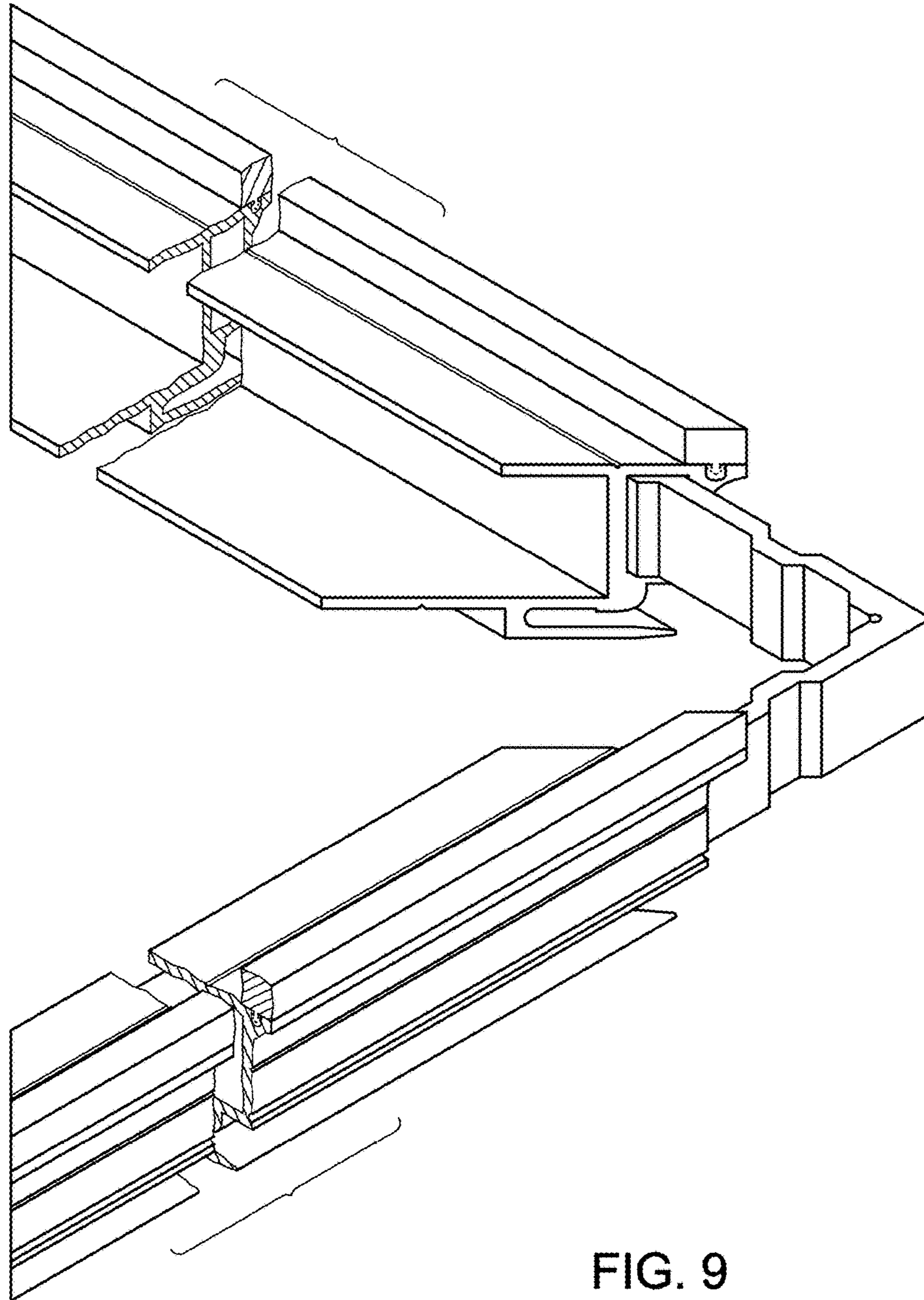


FIG. 9



FIG. 10

