



US00D832678S

(12) **United States Design Patent** (10) **Patent No.:** **US D832,678 S**
Sarpola (45) **Date of Patent:** **** Nov. 6, 2018**

- (54) **ELECTRONIC KEY**
- (71) Applicant: **Videx, Inc.**, Corvallis, OR (US)
- (72) Inventor: **Matthew J. Sarpola**, Corvallis, OR (US)
- (73) Assignee: **Videx, Inc.**, Corvallis, OR (US)
- (**) Term: **15 Years**
- (21) Appl. No.: **29/615,036**
- (22) Filed: **Aug. 25, 2017**
- (51) **LOC (11) Cl.** **08-07**
- (52) **U.S. Cl.**
 USPC **D8/347**
- (58) **Field of Classification Search**
 USPC D8/347, 348, 343, 346, 330, 331, 333,
 D8/334; 70/430, 448, 449, 336, 431,
 70/465, 6, 57.1, 271, 277, 456 R
 CPC ... E05B 19/00; E05B 19/00002; B60R 25/24;
 B60R 25/21
 See application file for complete search history.

- (56) **References Cited**
- U.S. PATENT DOCUMENTS
- | | | | | | |
|-----------|------|---------|----------|-------|-------------------------|
| D407,007 | S * | 3/1999 | Sacco | | D13/182 |
| 6,474,122 | B2 | 11/2002 | Davis | | |
| 6,604,394 | B2 | 8/2003 | Davis | | |
| 6,718,806 | B2 | 4/2004 | Davis | | |
| D495,579 | S * | 9/2004 | Yu | | D8/330 |
| 6,895,792 | B2 | 5/2005 | Davis | | |
| D529,371 | S * | 10/2006 | Kim | | D8/347 |
| D531,009 | S * | 10/2006 | Waldron | | D8/347 |
| D575,629 | S * | 8/2008 | Kim | | D8/347 |
| D579,318 | S * | 10/2008 | Davis | | D8/347 |
| 7,698,916 | B2 | 4/2010 | Davis | | |
| 7,958,758 | B2 * | 6/2011 | Trempala | | G07C 9/00309
340/5.7 |
| D677,958 | S * | 3/2013 | Davis | | D6/559 |
| 8,720,238 | B1 | 5/2014 | Davis | | |

- | | | | | | |
|-----------|------|---------|----------|-------|-------------------------|
| 8,921,721 | B2 * | 12/2014 | Senzaki | | G07C 9/00944
200/5 A |
| 9,133,649 | B2 * | 9/2015 | Taylor | | E05B 47/0001 |
| 9,424,701 | B2 * | 8/2016 | Trempala | | G07C 9/00182 |
| D803,792 | S * | 11/2017 | Houdek | | D13/168 |
| D808,247 | S * | 1/2018 | Ritchie | | D8/347 |
| D817,487 | S * | 5/2018 | White | | D24/129 |
- (Continued)

OTHER PUBLICATIONS

ASSA Abloy High Security Group, Inc., "Medeco Logic Brochure", LT-922143-10, Medeco.com, retrieved from the Internet: <URL:http://www.medeco.com/Other/Medeco/Downloads/Logic_Brochure.pdf>, [available on the Internet at least as early as Oct. 31, 2014].

(Continued)

Primary Examiner — Ian Simmons
Assistant Examiner — Yolanda Robinson
 (74) *Attorney, Agent, or Firm* — Matthew D. Eskue

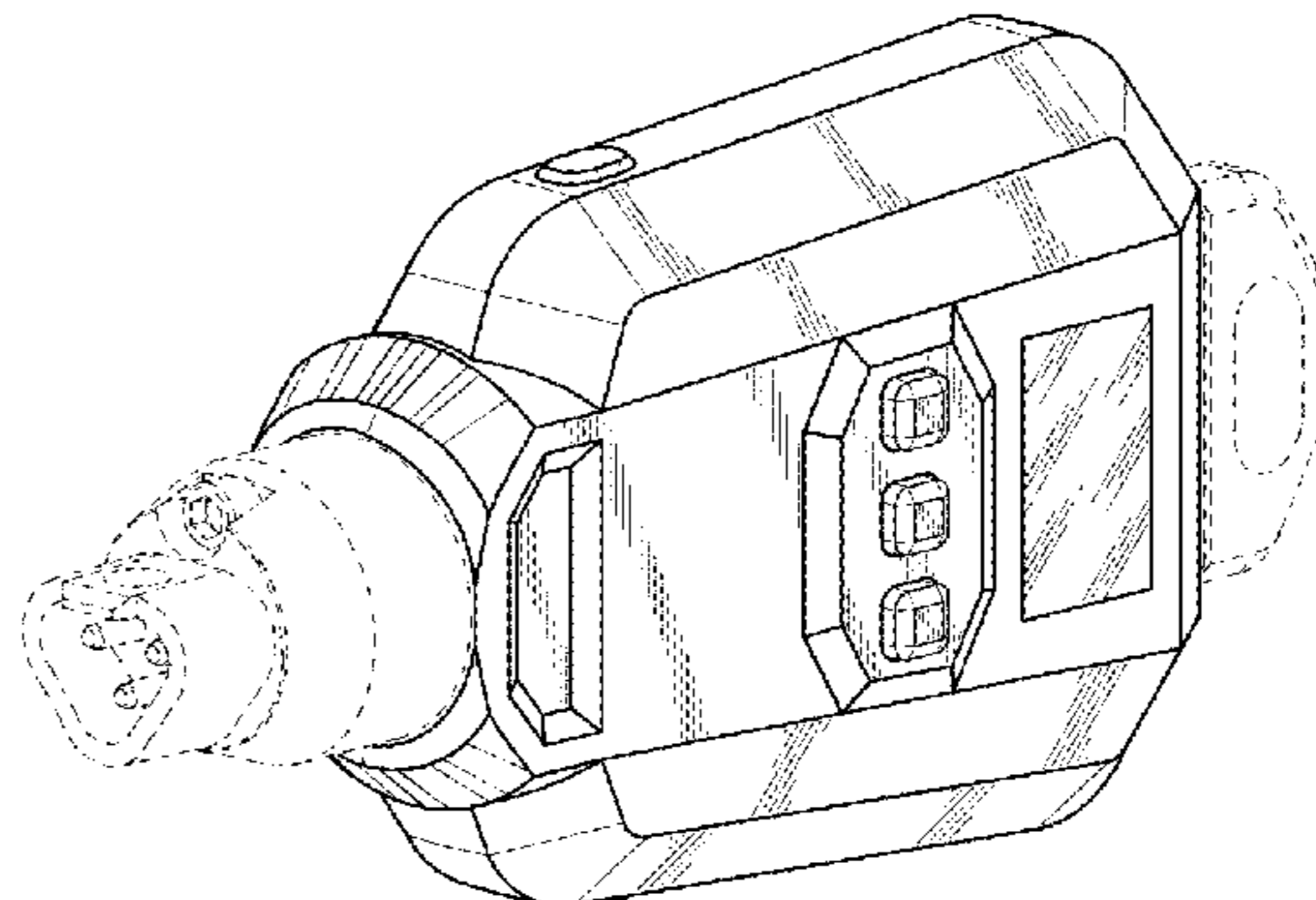
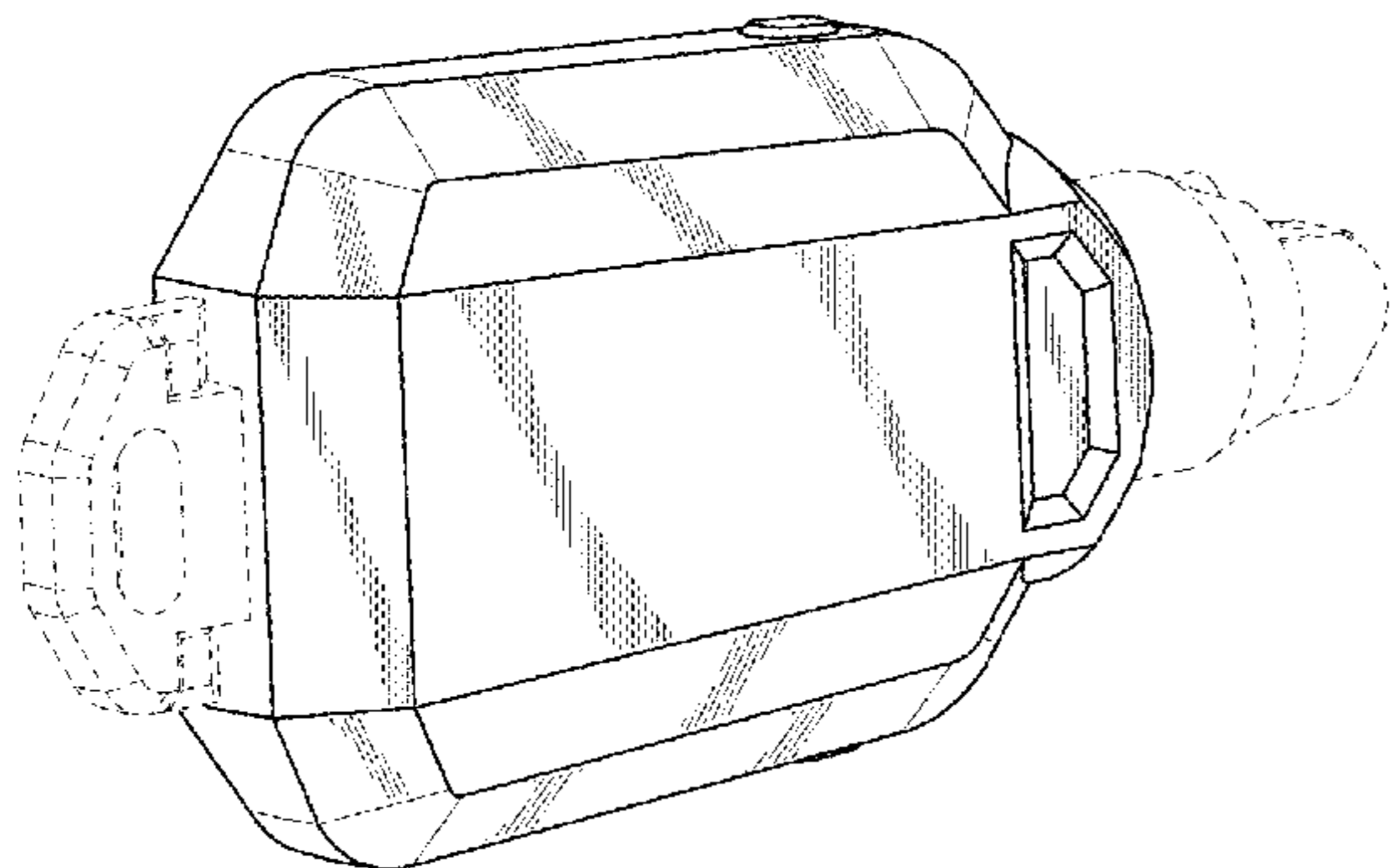
(57) **CLAIM**

The ornamental design for an electronic key, as shown and described.

DESCRIPTION

FIG. 1 is a top, rear and left side perspective view of an electronic key showing my new design;
 FIG. 2 is a bottom, front and left side perspective view thereof;
 FIG. 3 is a rear elevational view thereof;
 FIG. 4 is a left side elevational view thereof;
 FIG. 5 is a bottom plan view thereof;
 FIG. 6 is a front elevational view thereof;
 FIG. 7 is a top plan view thereof; and,
 FIG. 8 is a right side elevational view thereof.
 The broken lines illustrate unclaimed portions and form no part of the claimed design.
 The shade lines indicate contour and not surface ornamentation.

1 Claim, 2 Drawing Sheets



(56)

References Cited

U.S. PATENT DOCUMENTS

D818,347 S * 5/2018 Kim D8/346
2011/0132050 A1* 6/2011 McCaffrey E05B 19/0017
70/391

OTHER PUBLICATIONS

ACSYS Technologies Ltd., "Akey SCGS Key Product Datasheet", Model Series: AK SCGS Plus, Acsys.com, retrieved from the Internet: <URL:<http://www.acsys.com/Content/uploads/Product/141211054107926.pdf>>, [available on the Internet at least as early as Mar. 31, 2015].

Cyberlock, Inc., "CyberKey Air Datasheet", GCO3498, Cyberlock.com, retrieved from the Internet: <URL:<https://cyberlock.com/sites/files/CK-AIR.pdf>>, [available on the Internet at least as early as Sep. 12, 2015].

* cited by examiner

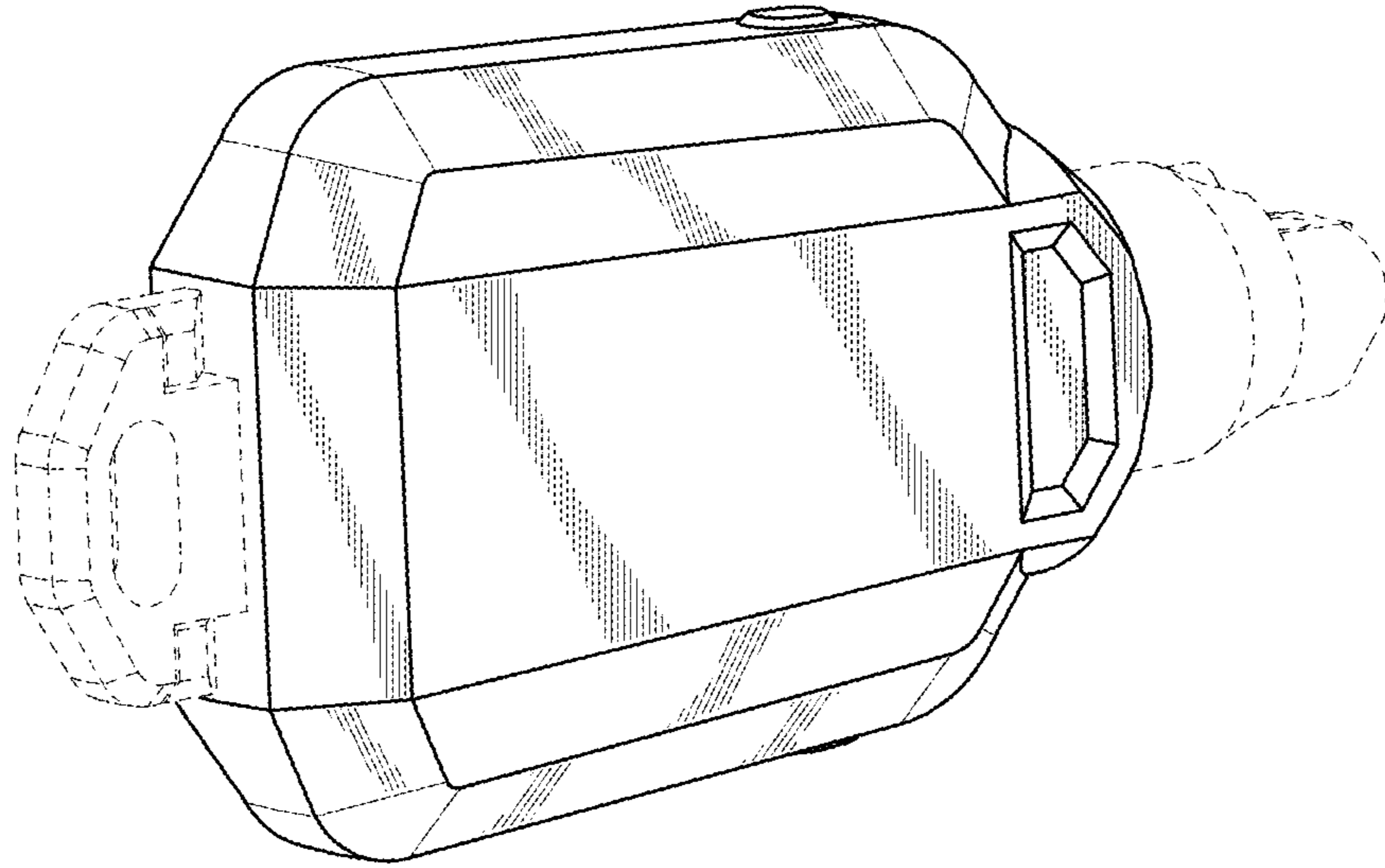


Fig.1

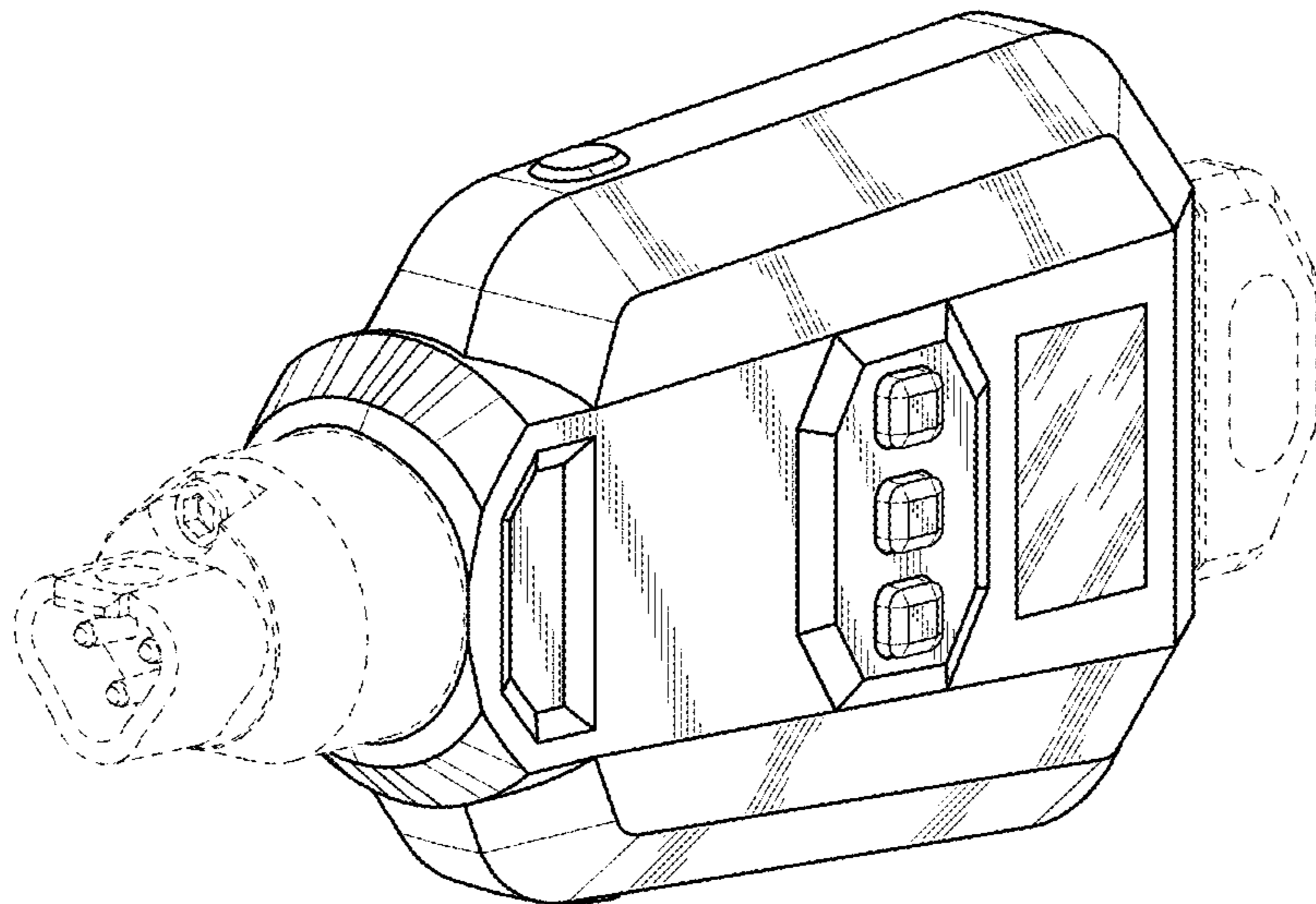


Fig.2

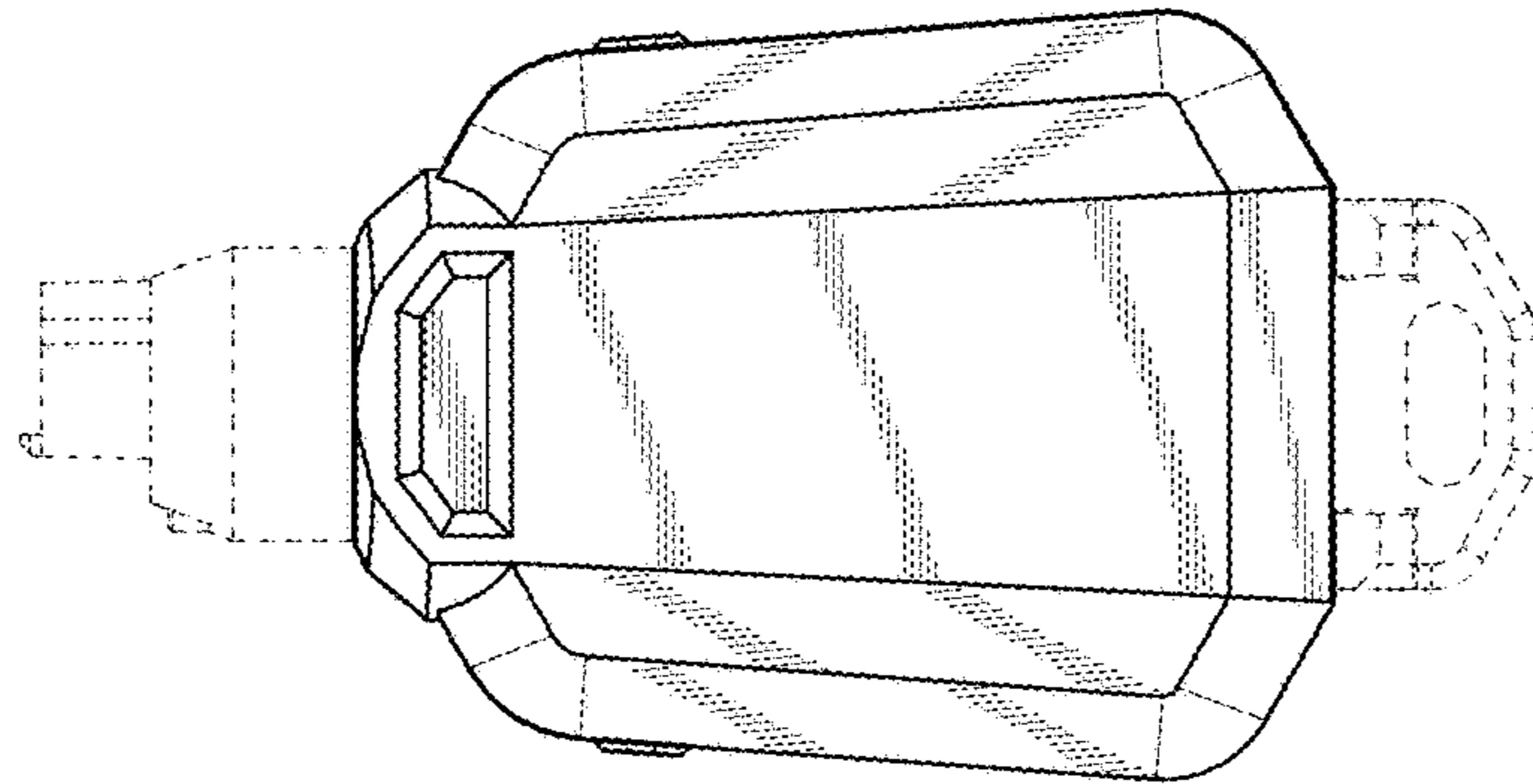


Fig.3

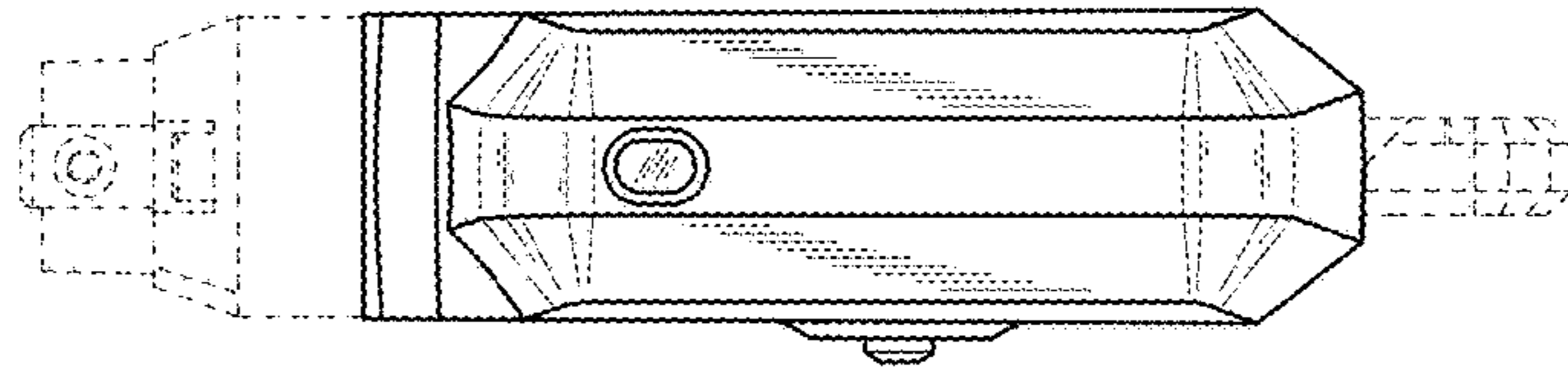


Fig.4

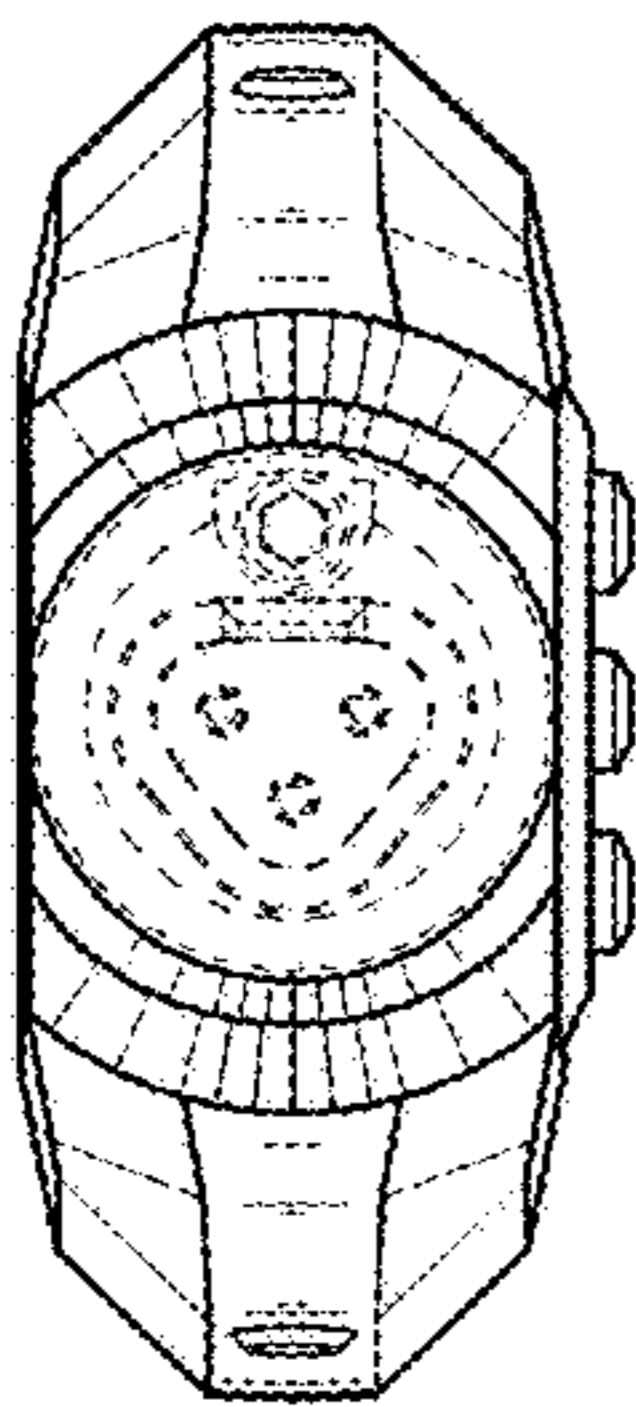


Fig.5

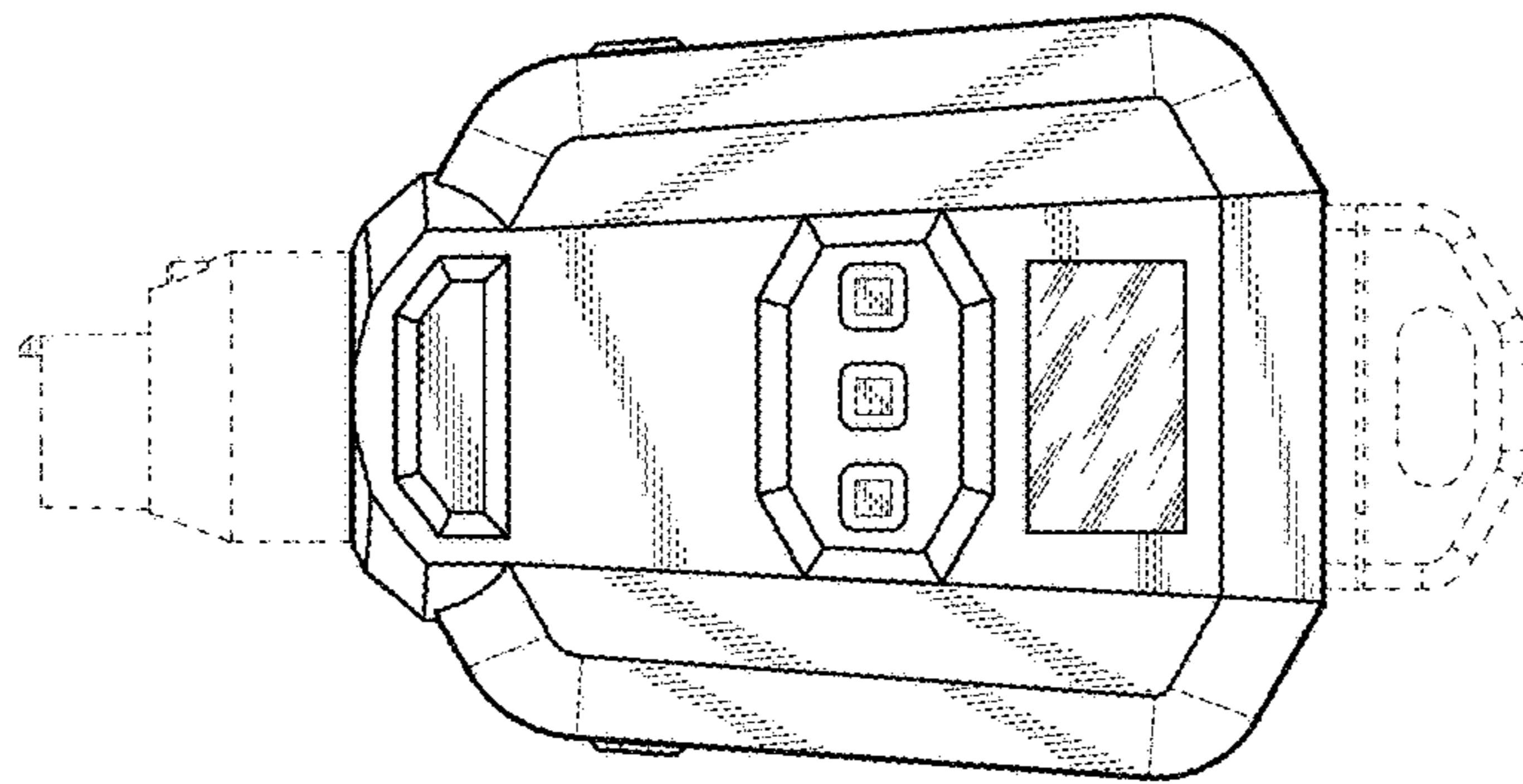


Fig.6

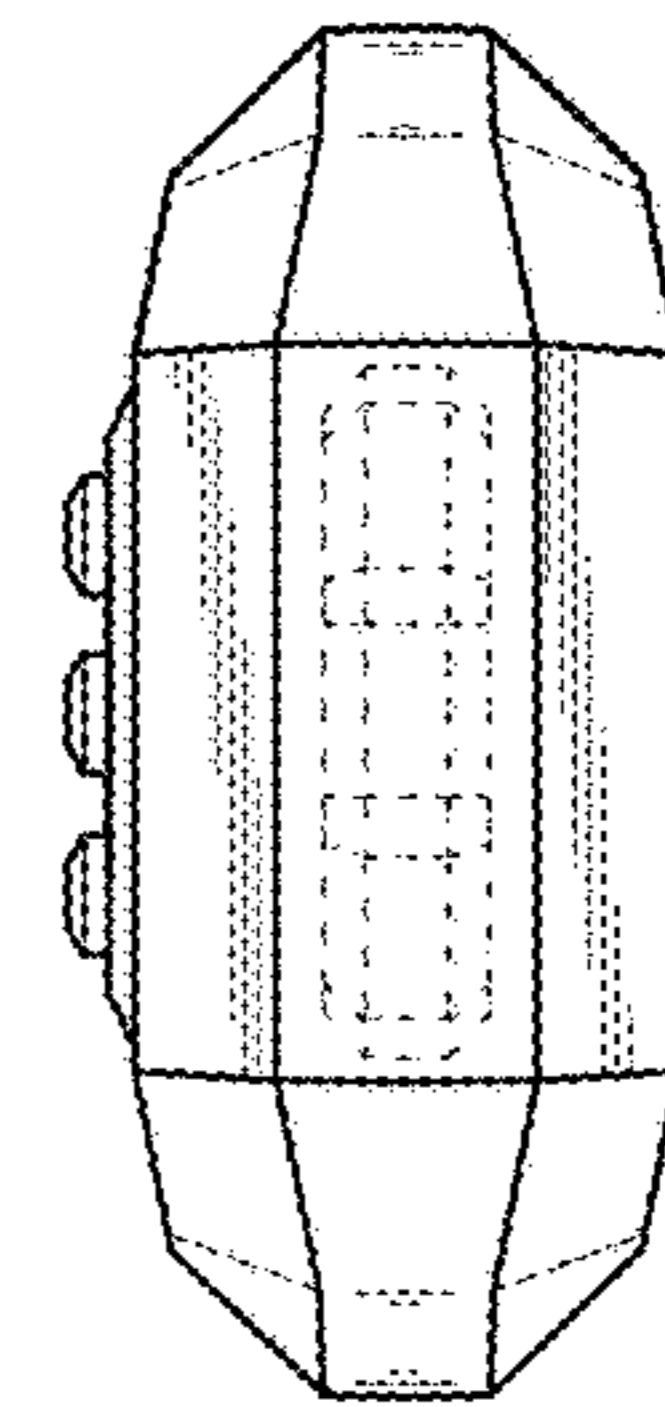


Fig.7

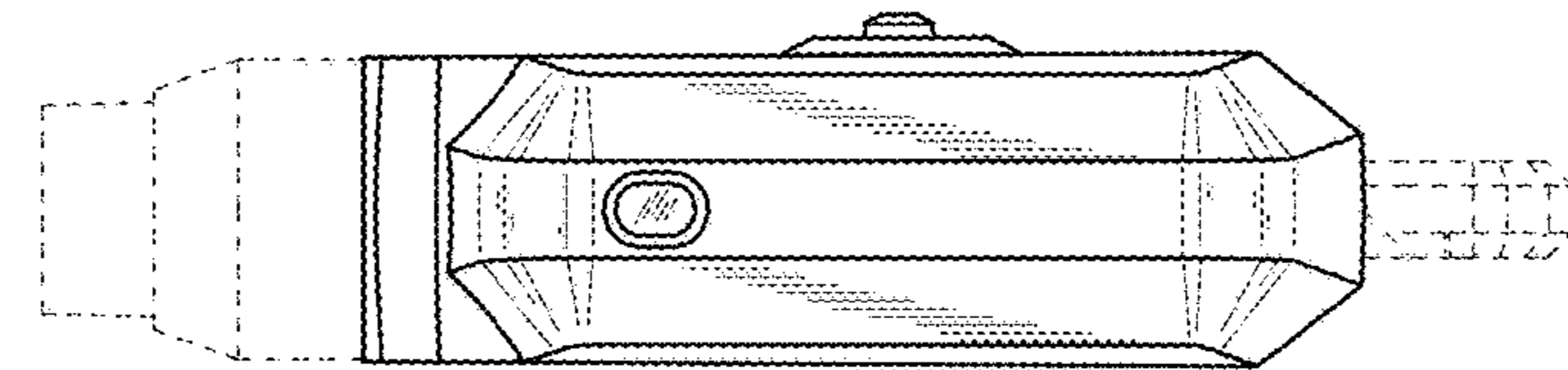


Fig.8