

US00D832675S

(12) **United States Design Patent** (10) **Patent No.:** **US D832,675 S**
Schneider et al. (45) **Date of Patent:** **** Nov. 6, 2018**

- (54) **DEADBOLT FOR A DOOR**
- (71) Applicant: **Spectrum Brands, Inc.**, Middleton, WI (US)
- (72) Inventors: **Elliott Schneider**, Foothill Ranch, CA (US); **Wei Hsu**, Lake Forest, CA (US); **Yos Singtoroj**, Anaheim, CA (US)
- (73) Assignee: **Spectrum Brands, Inc.**, Middleton, WI (US)
- (**) Term: **15 Years**
- (21) Appl. No.: **29/613,994**
- (22) Filed: **Aug. 15, 2017**
- (51) **LOC (11) Cl.** **08-07**
- (52) **U.S. Cl.**
USPC **D8/331**
- (58) **Field of Classification Search**
USPC D8/330, 333, 334, 335, 336, 337, 338, 339, 70/14, 70/20-22, 57, 57.1, DIG. 26, DIG. 27, 70/DIG. 44
CPC ... E05B 9/00; E05B 9/02; E05B 47/00; E05B 49/00; E05B 37/00
See application file for complete search history.

D791,569 S * 7/2017 Chen D8/331
D816,463 S * 5/2018 Chen D8/334
2016/0111232 A1* 4/2016 Wolfe G07F 19/2055
200/5 A
2017/0352208 A1* 12/2017 Calvert G07C 9/00111

OTHER PUBLICATIONS

Kwikset; "Smartcode 910 Contemporary Deadbolt with Home Connect"; Publication date unknown but prior to filing date of present application; Date Accessed: Aug. 7, 2017; URL: <<https://www.kwikset.com/products/styles/contemporary-smartcode-deadbolt-with-home-connect.aspx>>.
Home Depot; "Single Cylinder Satin Nickel Digital Lever with Milton Right-Handed"; Publication date unknown but prior to filing date of present application; Date Accessed: Aug. 7, 2017; URL: <<http://www.homedepot.com/p/Privex-Single-Cylinder-Satin-Nickel-Digital-Lever-with-Milton-Right-Handed-301606R/203886161>>.

* cited by examiner

Primary Examiner — Ian Simmons
Assistant Examiner — Yolanda Robinson
(74) *Attorney, Agent, or Firm* — Banner & Witcoff, Ltd.

(57) **CLAIM**

The ornamental design for a deadbolt for a door, as shown and described.

DESCRIPTION

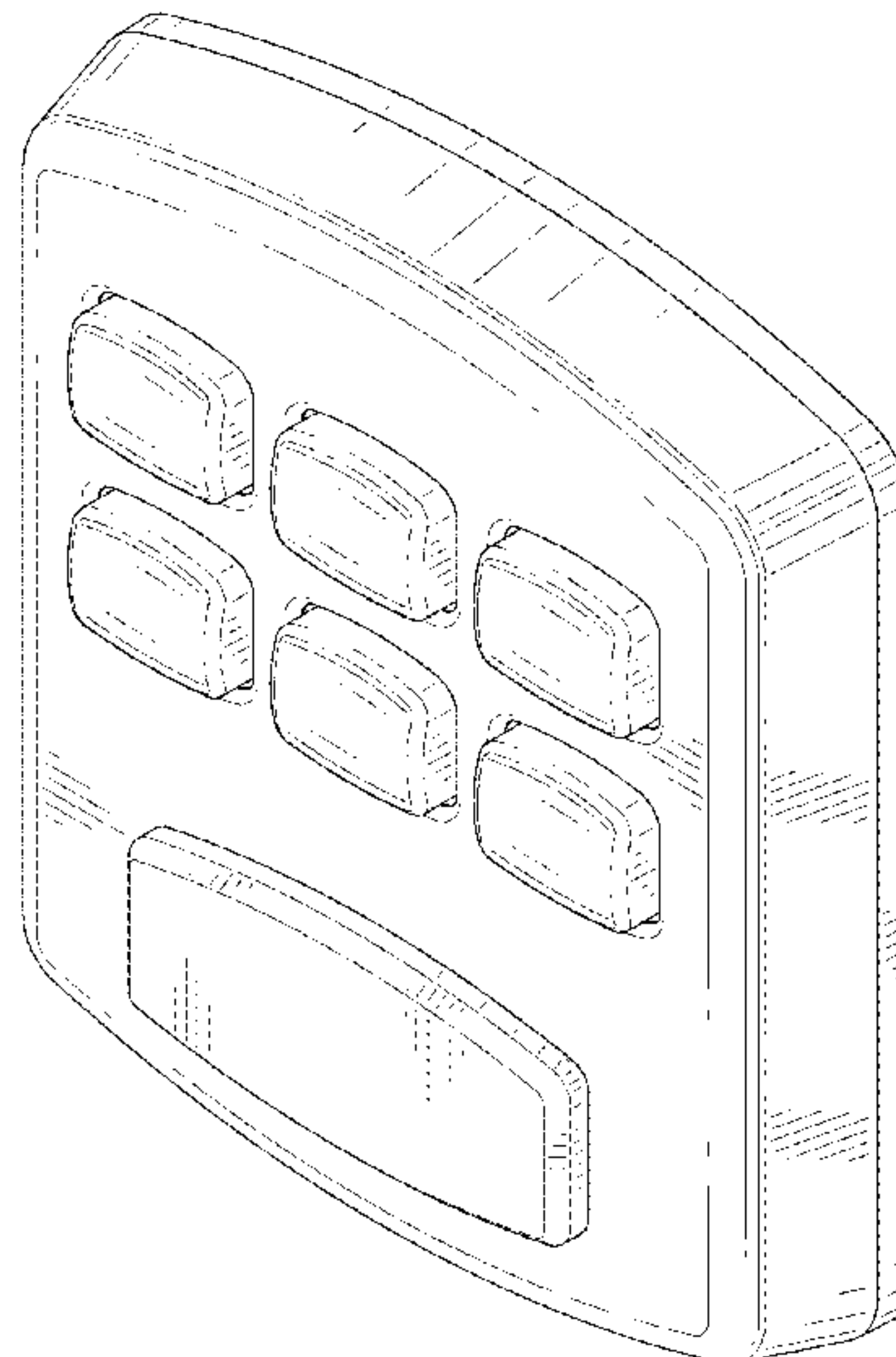
FIG. 1 is a front perspective view of a deadbolt for a door showing our new design;
FIG. 2 is a front view thereof;
FIG. 3 is a left side view thereof;
FIG. 4 is a right side view thereof;
FIG. 5 is a top view thereof; and,
FIG. 6 is a bottom view thereof.
The broken line showing of the remainder of the deadbolt for a door in FIGS. 3-6 represents unclaimed subject matter and forms no part of the claimed design.

1 Claim, 6 Drawing Sheets

(56) **References Cited**

U.S. PATENT DOCUMENTS

D552,968 S *	10/2007	Roberts	D8/330
D630,929 S *	1/2011	Downey	D8/331
D637,474 S *	5/2011	Schneider	D8/330
D696,569 S *	12/2013	Luo	D8/331
D698,222 S *	1/2014	Guo	D8/330
D729,610 S *	5/2015	Gao	D8/331
D732,372 S *	6/2015	Gao	D8/334
D782,283 S *	3/2017	Chiang	D8/331
D790,321 S *	6/2017	Hsu	D8/331



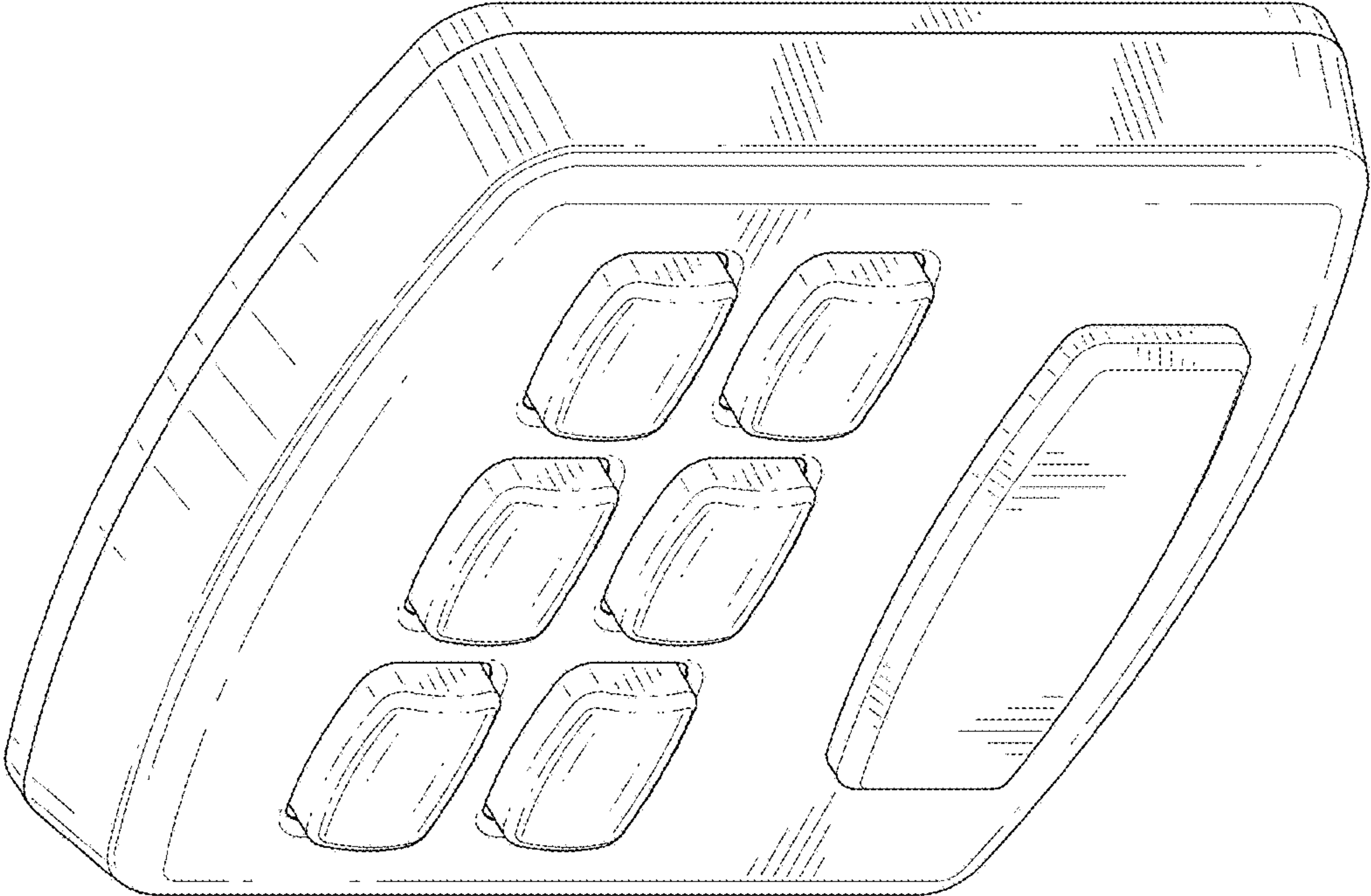


FIG.1

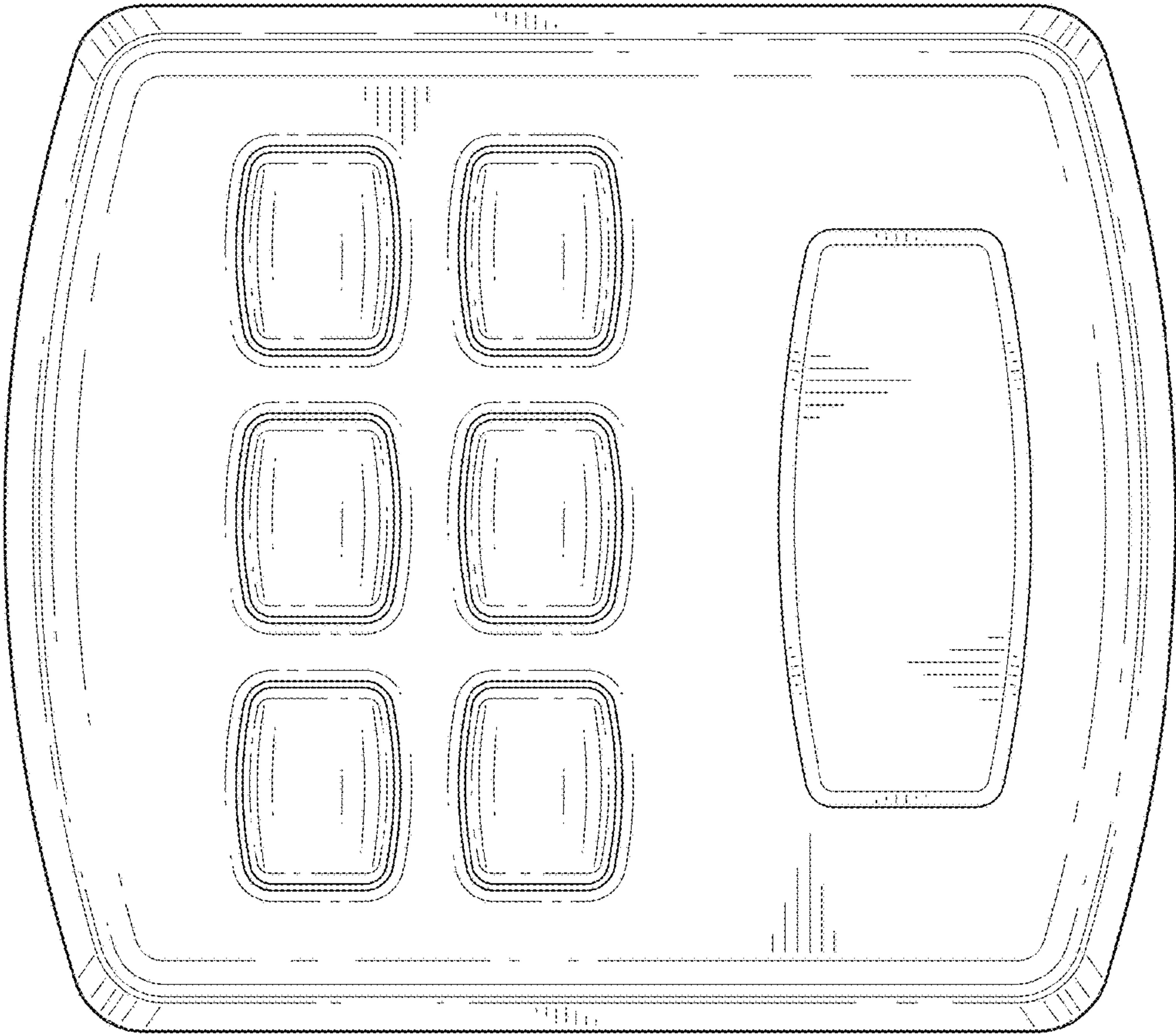


FIG.2

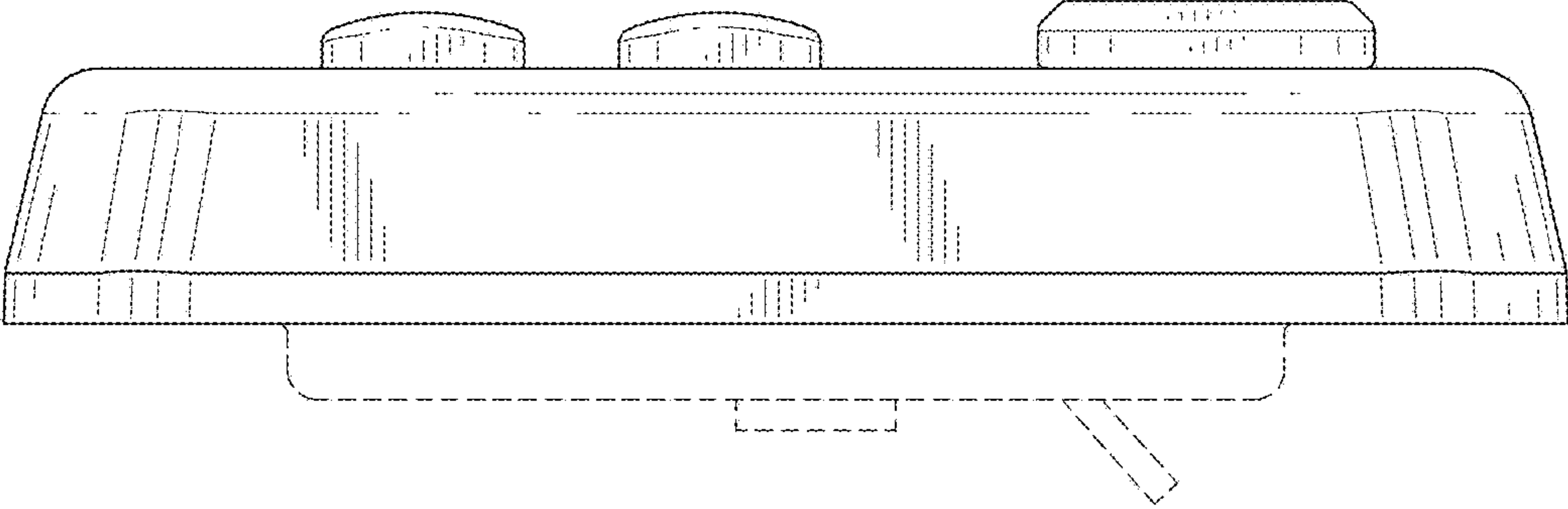


FIG.3

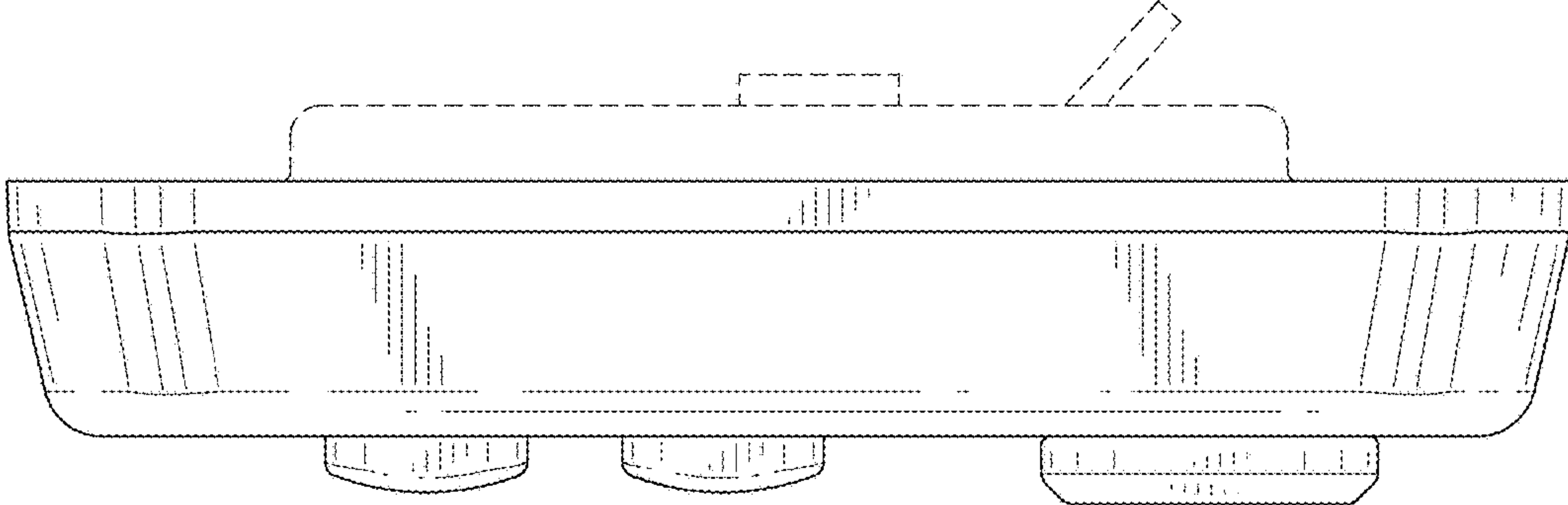


FIG.4

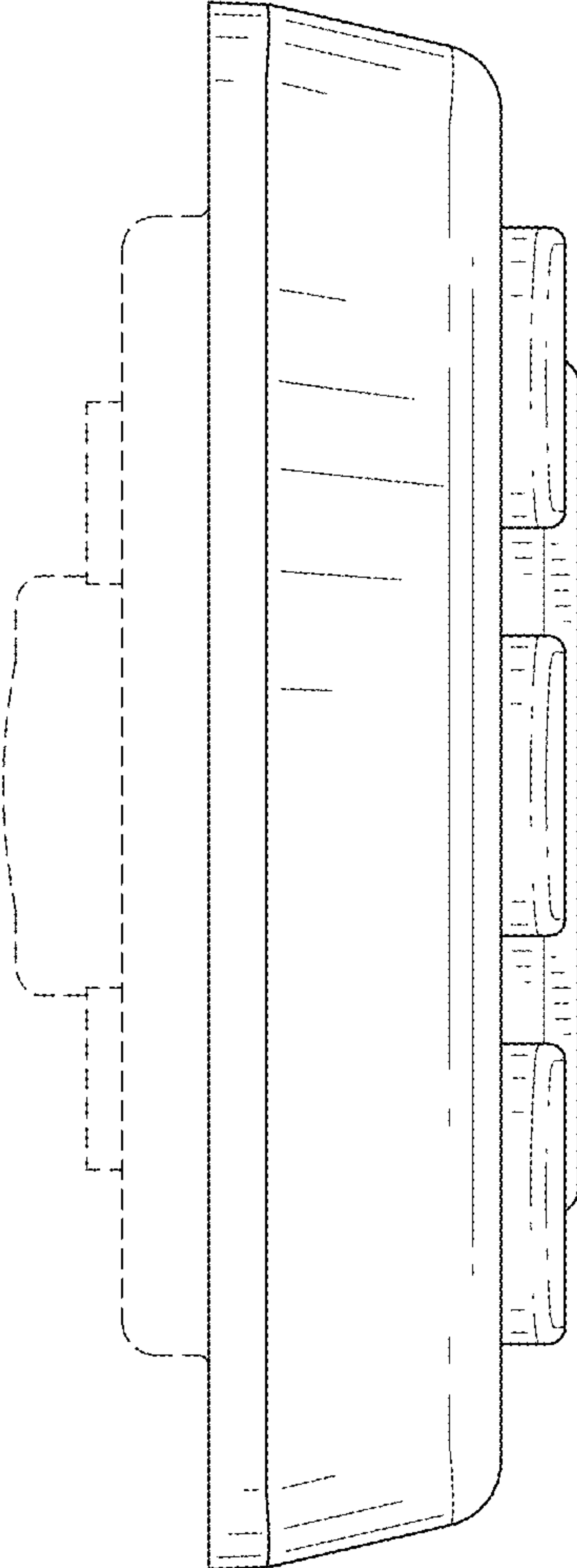


FIG. 5

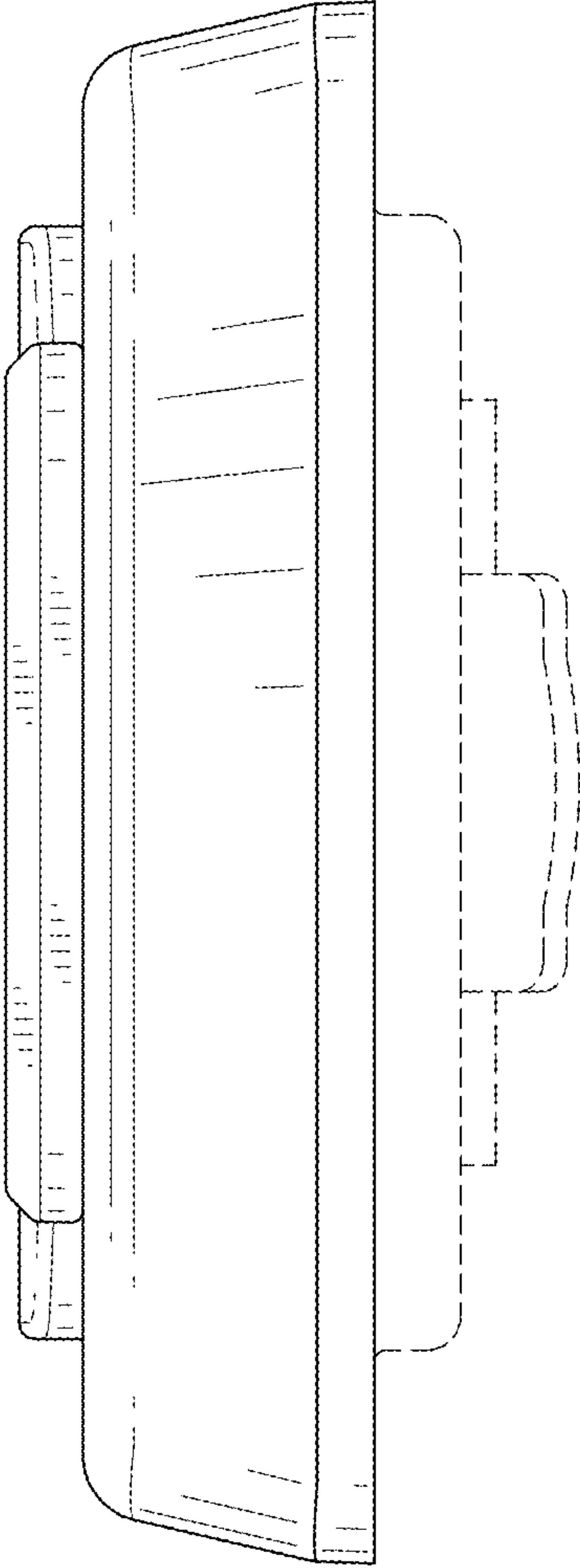


FIG. 6