



US00D832674S

(12) **United States Design Patent** (10) **Patent No.:** **US D832,674 S**
Musatto (45) **Date of Patent:** **** Nov. 6, 2018**

(54) **HANDLE**

(71) Applicant: **Davies Molding L.L.C.**, Carol Stream, IL (US)

(72) Inventor: **Jason Musatto**, Genoa, IL (US)

(73) Assignee: **Davies Molding L.L.C.**, Carol Stream, IL (US)

(**) Term: **15 Years**

(21) Appl. No.: **29/600,703**

(22) Filed: **Apr. 14, 2017**

(51) **LOC (11) Cl.** **08-06**

(52) **U.S. Cl.**
USPC **D8/315**

(58) **Field of Classification Search**
USPC D08/1, 6-13, 94, 107, 315, 317, 303, D08/321, 322; D06/522, 524, 663, 698, D06/705; D03/272, 902; D07/550.1, D07/552.1, 590, 603, 609, 388, 334; D15/69, 80, 142, 199
CPC .. A01B 1/22; A01D 1/14; A47B 95/02; A47B 2095/022; A47B 2095/023; A47B 2095/024; A47B 2095/025; A47B 2220/0047; F24C 15/00; F24C 15/02; F25D 23/00; F25D 23/02
See application file for complete search history.

(56) **References Cited**

U.S. PATENT DOCUMENTS

D145,343 S * 7/1946 Wallace D8/317
D152,056 S * 12/1948 Bull D8/317
D266,212 S * 9/1982 Haug D23/304
D337,507 S * 7/1993 Jans D8/316
D339,492 S * 9/1993 Klose D23/304

(Continued)

OTHER PUBLICATIONS

Liberty, 3 in. (76mm) Soft Iron Knurled Industrial Cabinet Pull, posted Feb. 24, 2016, [retrieved Mar. 26, 2018]. Retrieved from

Internet, <URL: <https://www.homedepot.com/p/Liberty-3-in-76mm-Soft-Iron-Knurled-Industrial-Cabinet-Pull-P32962C-SI-CP/206414187> >.*

(Continued)

Primary Examiner — Barbara Fox

Assistant Examiner — Kristin E Reed

(74) *Attorney, Agent, or Firm* — Brinks Gilson & Lione

(57) **CLAIM**

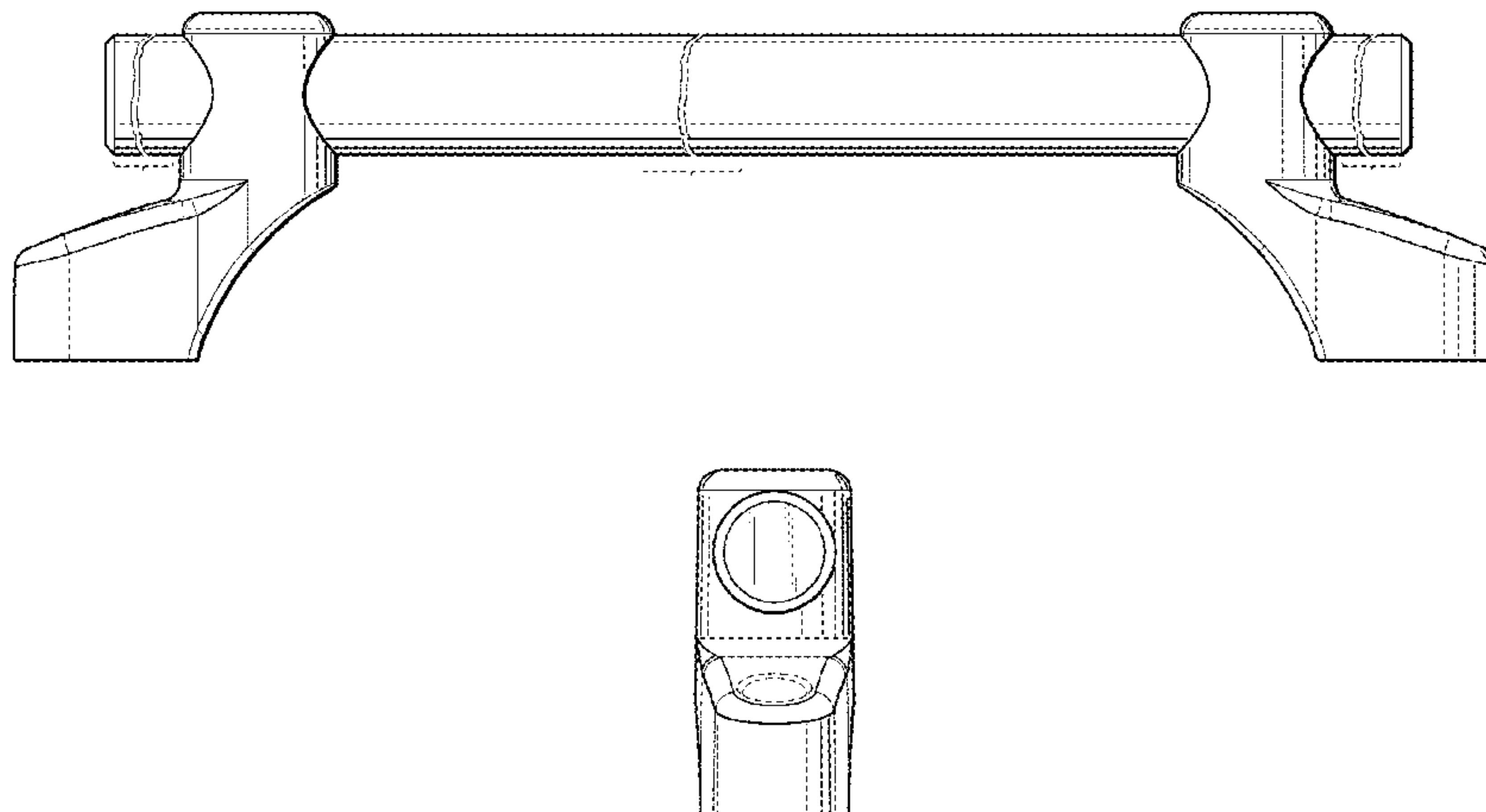
I claim the ornamental design for a handle, as shown and described.

DESCRIPTION

FIG. 1 is a top perspective view of a handle showing the new design in a first embodiment;
FIG. 2 is a front elevation view thereof, where a rear elevation view is a mirror image;
FIG. 3 is a right side elevation view thereof, where the left side elevation view is identical thereto;
FIG. 4 is a top plan view thereof;
FIG. 5 is a bottom plan view thereof;
FIG. 6 is a top perspective view of a second embodiment of the handle showing the new design in a second embodiment;
FIG. 7 is a front elevation view thereof, where a rear elevation view is a mirror image;
FIG. 8 is a right side elevation view thereof, where the left side elevation view is identical thereto;
FIG. 9 is a top plan view thereof; and,
FIG. 10 is a bottom plan view thereof.

The dashed broken lines shown in the drawings depict portions of the handle that form no part of the claimed design. FIGS. 1, 2, 4, 5, 6, 7, 9, and 10 each include one or more symbolic breaks in length indicated by a pair of break lines and corresponding bracket, where the appearance of any portion of the article between the break lines forms no part of the claimed design.

1 Claim, 6 Drawing Sheets



(56)

References Cited

U.S. PATENT DOCUMENTS

D344,007	S *	2/1994	Jans	D8/316
D417,605	S *	12/1999	Sartini	D8/363
D436,025	S *	1/2001	Ohm	D8/376
D559,653	S *	1/2008	Reichling	D8/315
D564,854	S *	3/2008	Thompson	D8/300
D567,637	S *	4/2008	Moore	D8/363
7,648,111	B2 *	1/2010	Goldstein	A47H 1/022 248/200.1
D649,855	S *	12/2011	Warmenhoven	D8/305
9,677,705	B2 *	6/2017	Cen	A47K 10/10
9,814,172	B2 *	11/2017	Achen	A01B 63/32

OTHER PUBLICATIONS

Modern Drawer Pull w/ Back Plate—Pair, posted 2018, [retrieved Mar. 26, 2018]. Retrieved from Internet, <URL: <https://pepe-carols.myshopify.com/products/modern-brass-drawer-pull-w-back-plate-sold-in-pairs> >.*

[1 Pack] Bar Handle Pull: Fine-Brushed Satin Nickel Finish | 3.75" (3-3/4") 96mm Hole Center | Kitchen Cabinet Hardware/Dresser Drawer Handles by: Alpine Hardware, posted Feb. 21, 2017, [retrieved Mar. 26, 2018]. Retrieved from Internet, <URL: <https://www.amazon.com/25pc-SOLID-Stainless-Steel-Handle/dp/B01AITOZSA> >.*

SGS 100 / 200 / 300-E6, Strand Pelletizer, posted Sep. 2016, [retrieved Mar. 26, 2018]. Retrieved from Internet, <URL: http://www.maag.com/cache-buster-1492505542/brochures/strand-pelletizer/dry-cut/SGS-100-200-300-E6_Scheer_EN_s.pdf >.*

Rohde, "Handle Series VR", <http://www.rohde-technics.de/en/>, Rohde Quality for Industry, Nörten-Hardenberg, Germany; pp. 1-3, (Undated; the images shown were publicly available as of the filig date of this application).

* cited by examiner

Fig. 1

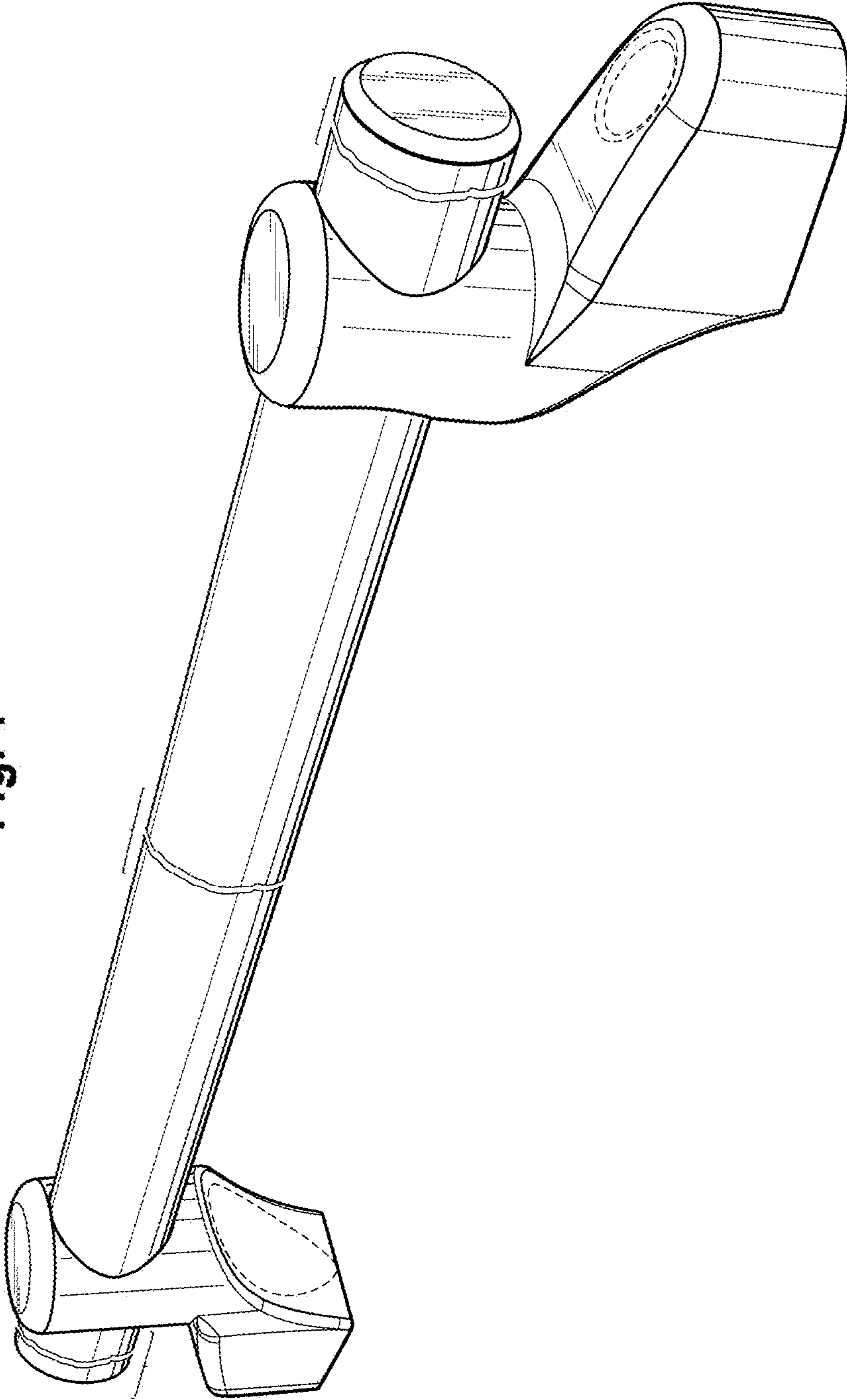


Fig. 2

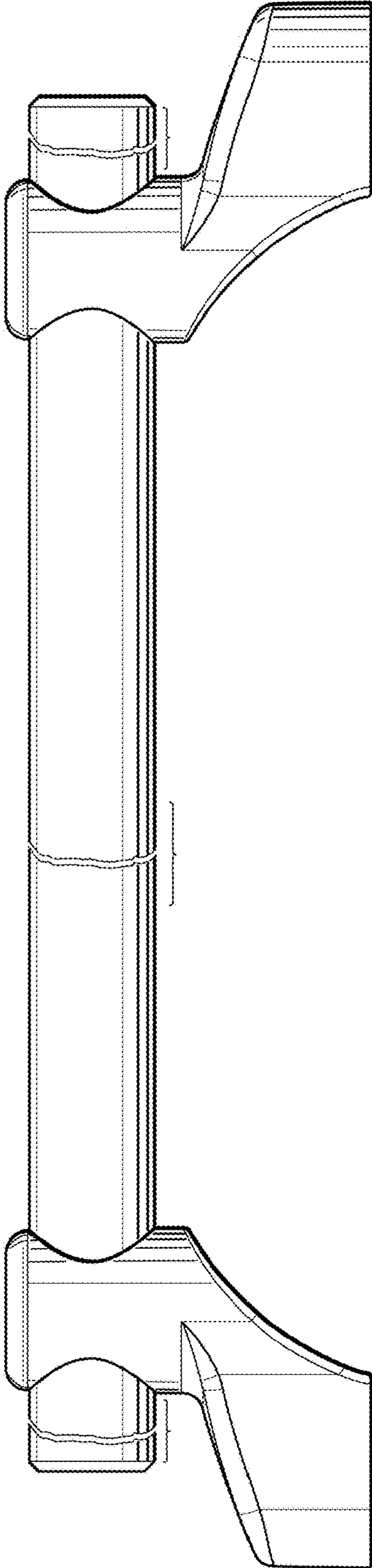


Fig. 3

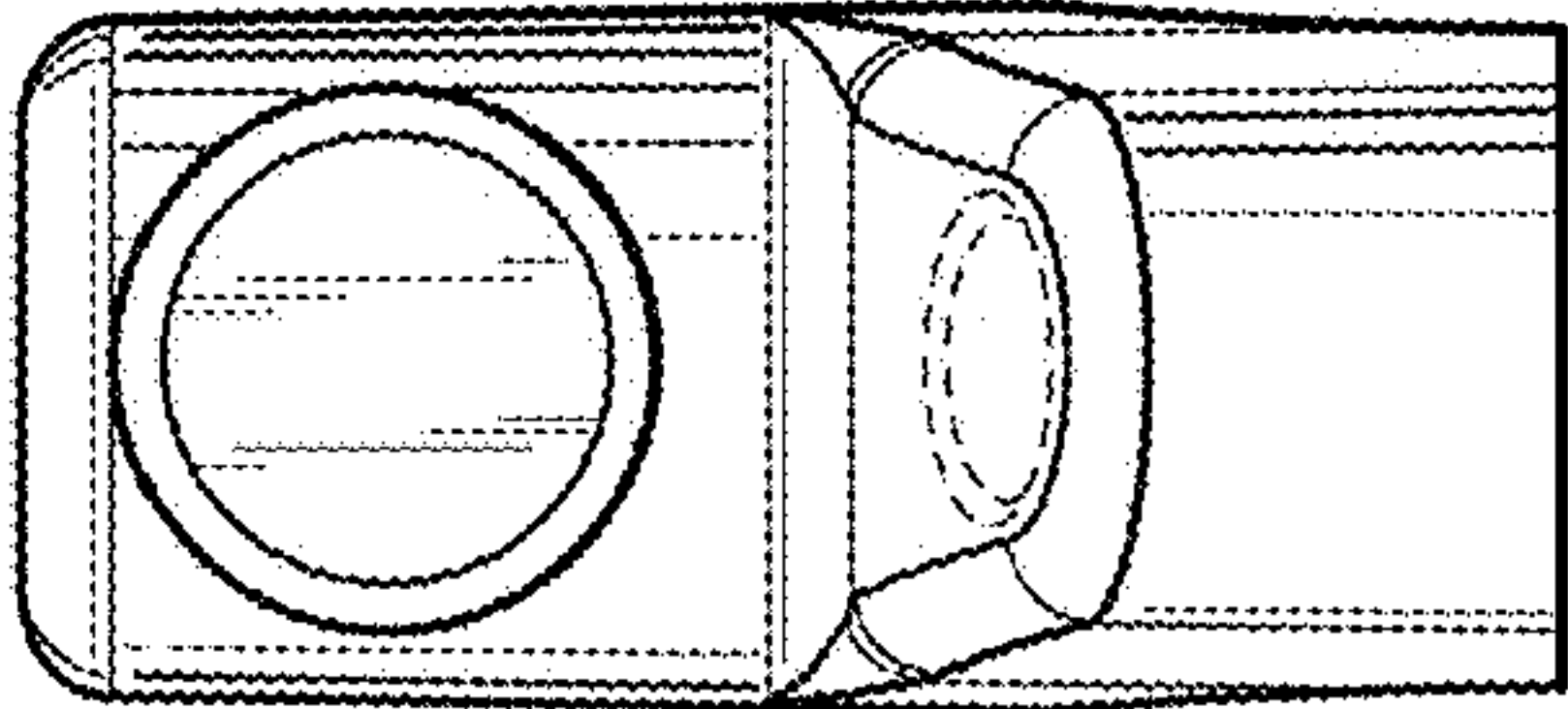


Fig. 4

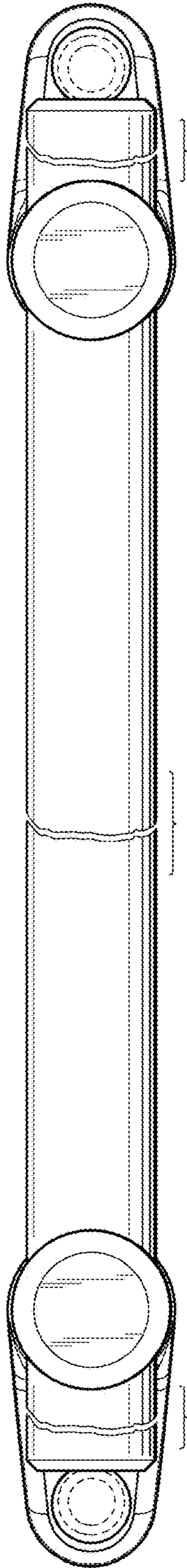


Fig. 5

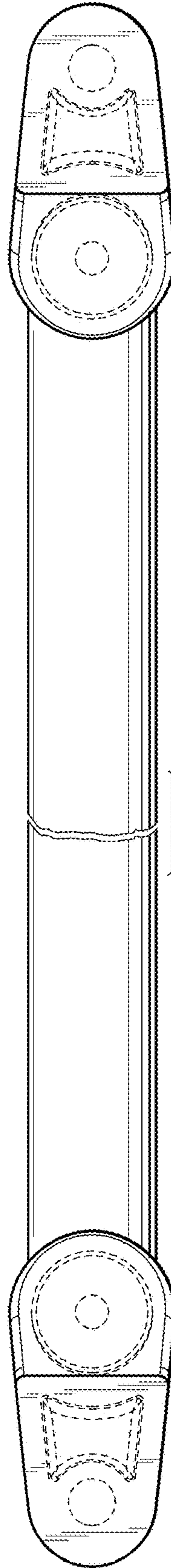


Fig. 6

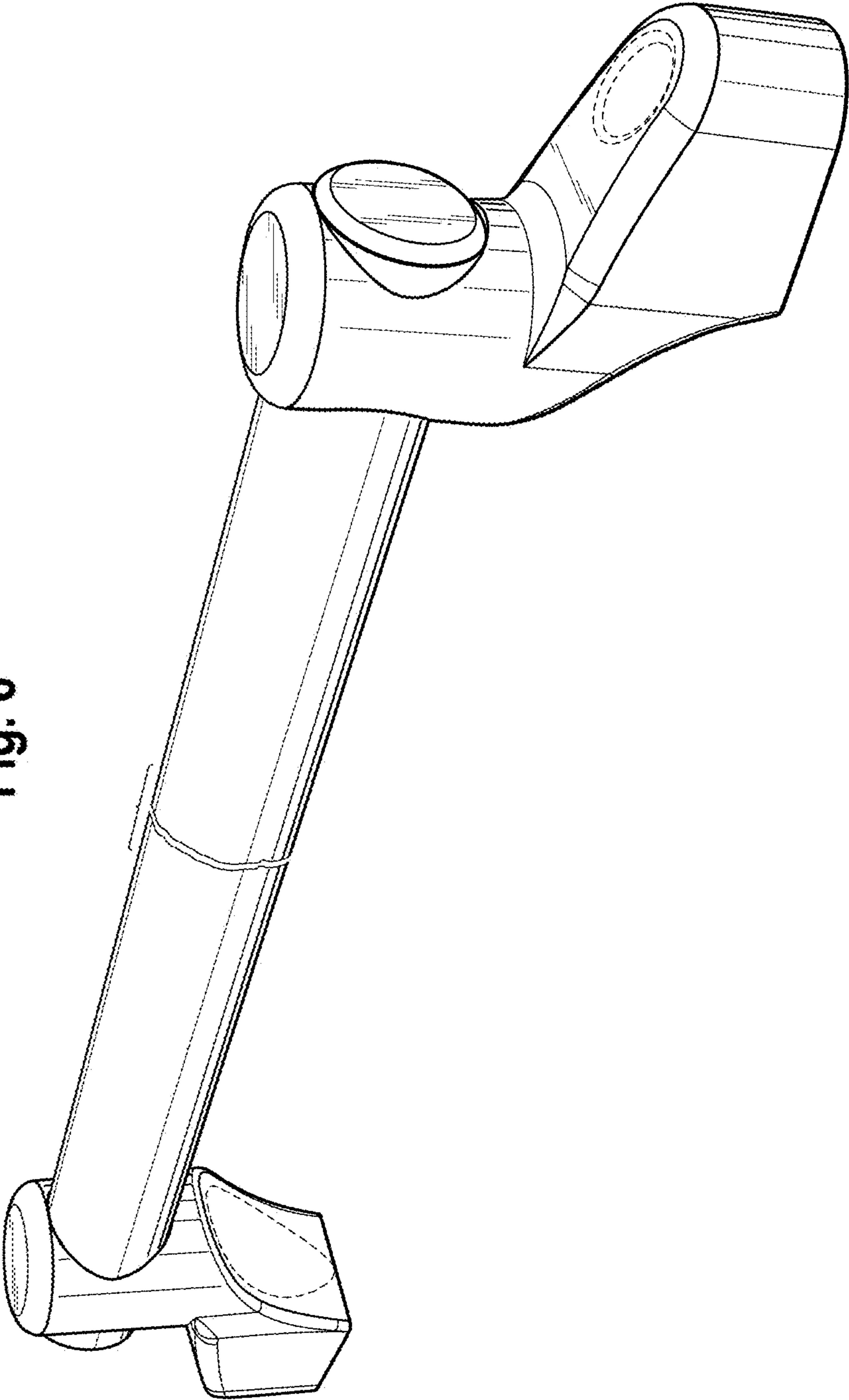


Fig. 7

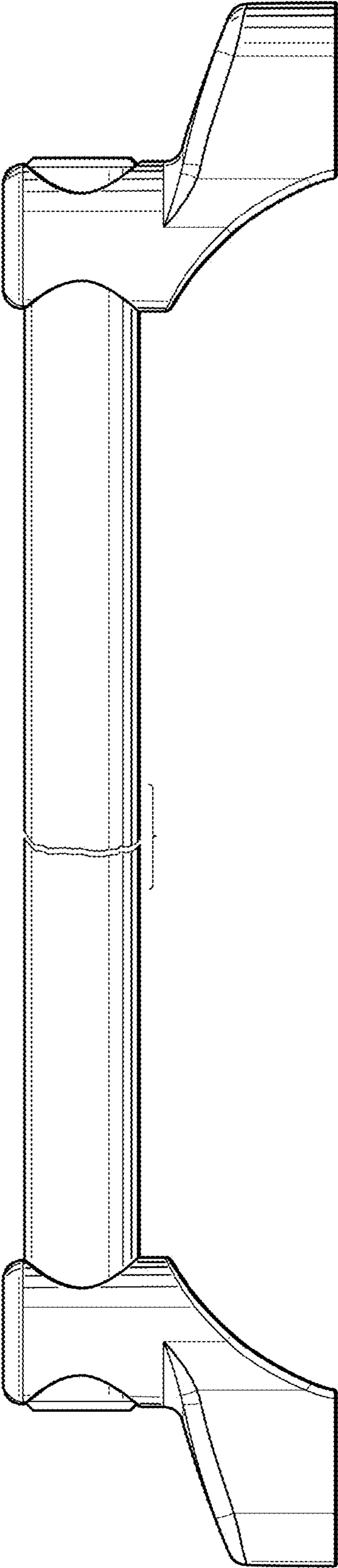


Fig. 8

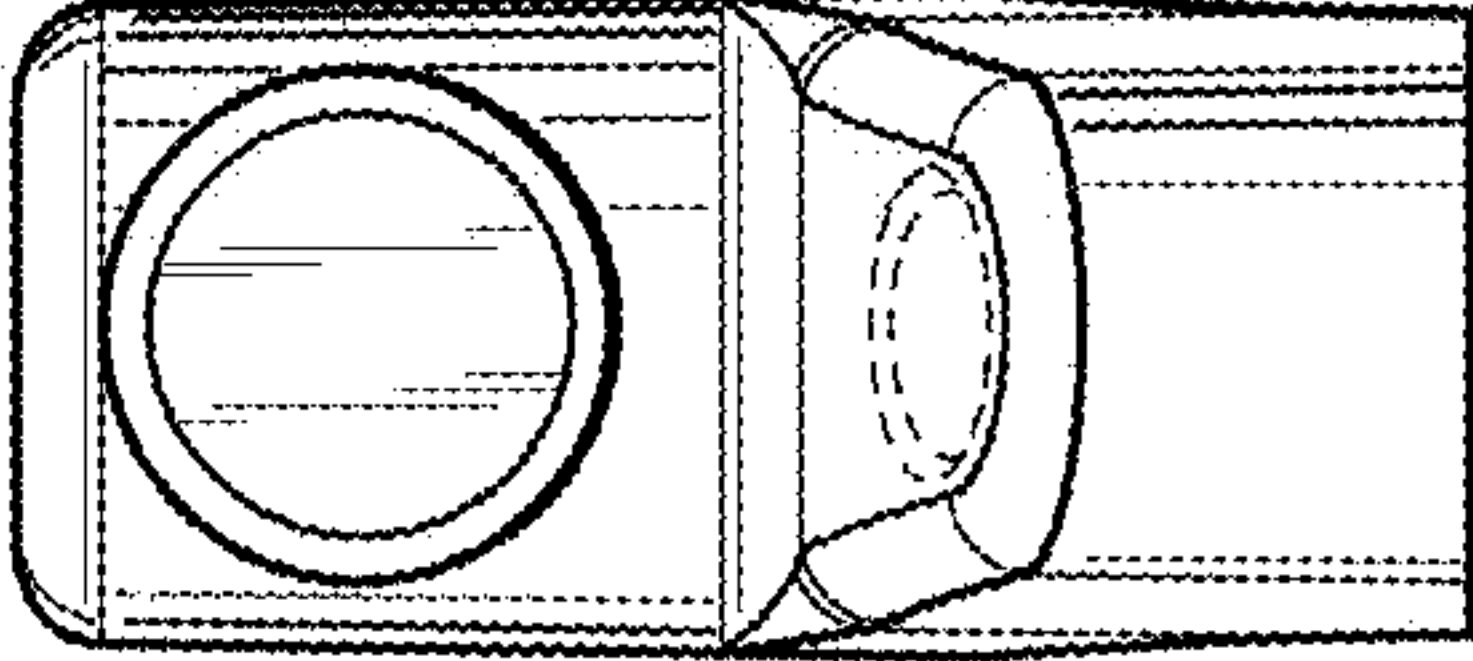


Fig. 9

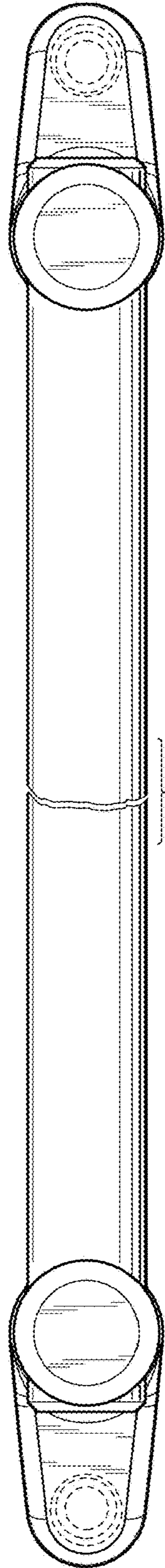


Fig. 10

