



US00D832673S

(12) **United States Design Patent** (10) **Patent No.:** **US D832,673 S**
Berman (45) **Date of Patent:** **** Nov. 6, 2018**

(54) **HAND TOOL**

(71) Applicant: **True Brands Limited**, Poole (GB)

(72) Inventor: **Lee Berman**, Bournemouth (GB)

(73) Assignee: **True Brands Limited**, Poole (GB)

(**) Term: **15 Years**

(21) Appl. No.: **29/582,122**

(22) Filed: **Oct. 25, 2016**

(30) **Foreign Application Priority Data**

Apr. 28, 2016 (EP) 003098524-0001

(51) **LOC (11) Cl.** **08-05**

(52) **U.S. Cl.**
USPC **D8/105**

(58) **Field of Classification Search**
USPC D3/207, 208, 210, 318; D7/318,
D7/354-361, 393-397, 401.2, 533-537,
D7/622, 623; D8/12, 14, 16-19, 34, 51,
D8/52, 56, 75, 76, 77, 78, 79, 80, 81, 82,
D8/83, 94, 98, 99, 101, 102, 103, 104,
D8/105, 107, 300, 302, 303, 305, 306,
D8/307, 308, 309, 310, 315, 318, 321,
D8/349, 354, 355, 356, 358, 359, 382,
D8/391, 392.1, 393, 394, 396.2, 397, 398,
D8/402, 503, 505, 507, 509, 510, 511,
D8/523, 524, 525, 526, 527, 528, 529,
D8/530, 531, 533, 538, 500, 549, 541,
D8/542, 590, 605, 608, 629, 672, 703,
D8/900, 46, 47, 35, 499; D15/135;
D32/46-49; D9/434, 443, 455, 907
CPC B65B 69/0008; B65B 69/0033; B65B
69/005; B25F 1/00; B25F 1/02; B25F
1/04; B25F 3/00; B26B 11/00; B26B
23/00; B08B 1/00; B08B 3/026; B08B
7/02; B63B

(Continued)

(56) **References Cited**

U.S. PATENT DOCUMENTS

2,243,008 A * 5/1941 Johnson A45C 11/324
70/456 R
5,144,749 A * 9/1992 Chen B26B 5/001
30/292
D358,752 S * 5/1995 Duvall D8/51
(Continued)

OTHER PUBLICATIONS

Dawg Multi-Tool: Announced Sep. 4, 2017 [online]. Site Visited
[Feb. 8, 2018]. Available from Internet URL: <https://www.youtube.com/watch?v=yzpFmxGAsjQ>.*

(Continued)

Primary Examiner — Jennifer Rivard

Assistant Examiner — Catherine S Posthauer

(74) *Attorney, Agent, or Firm* — Thorpe North & Western
LLP

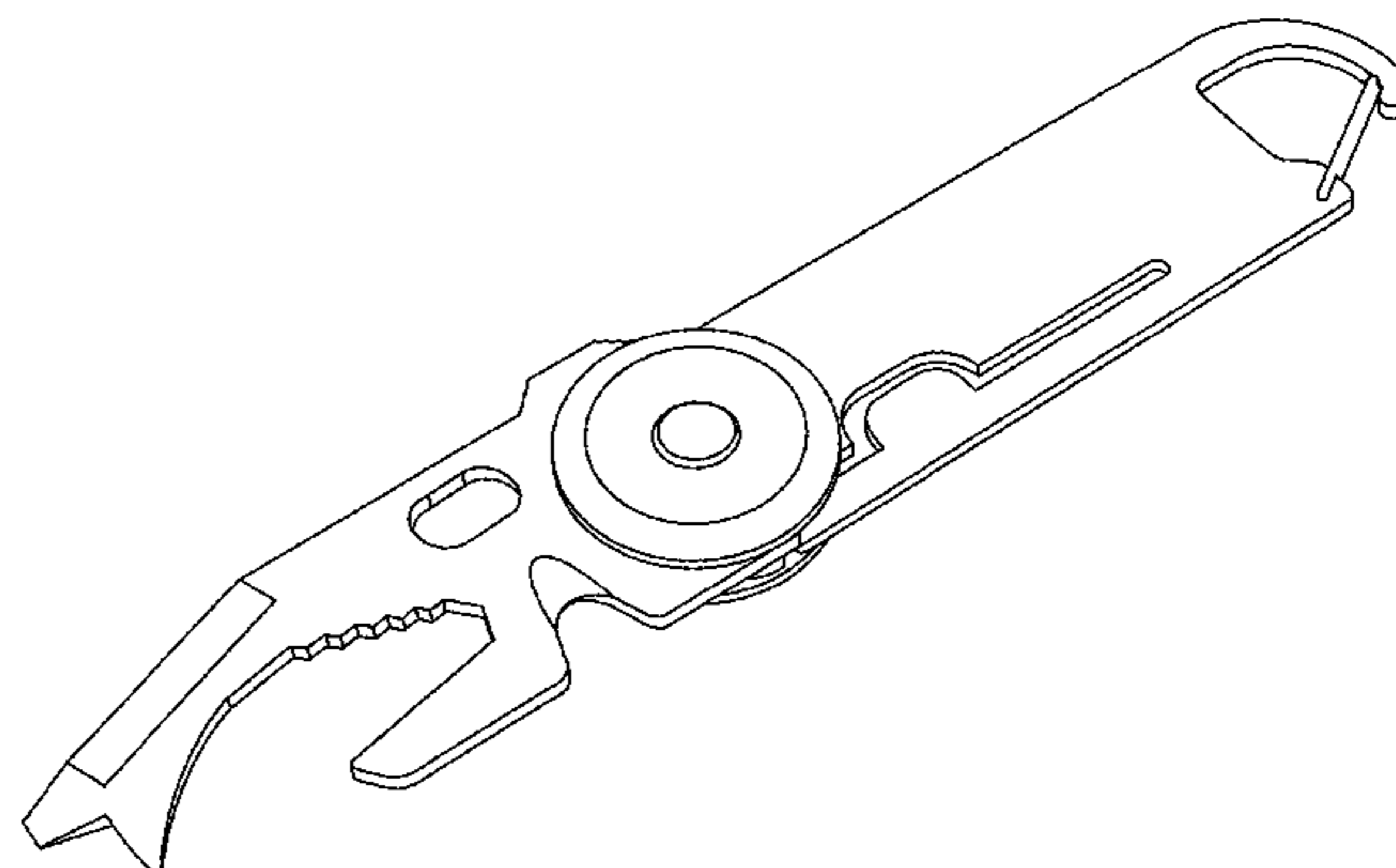
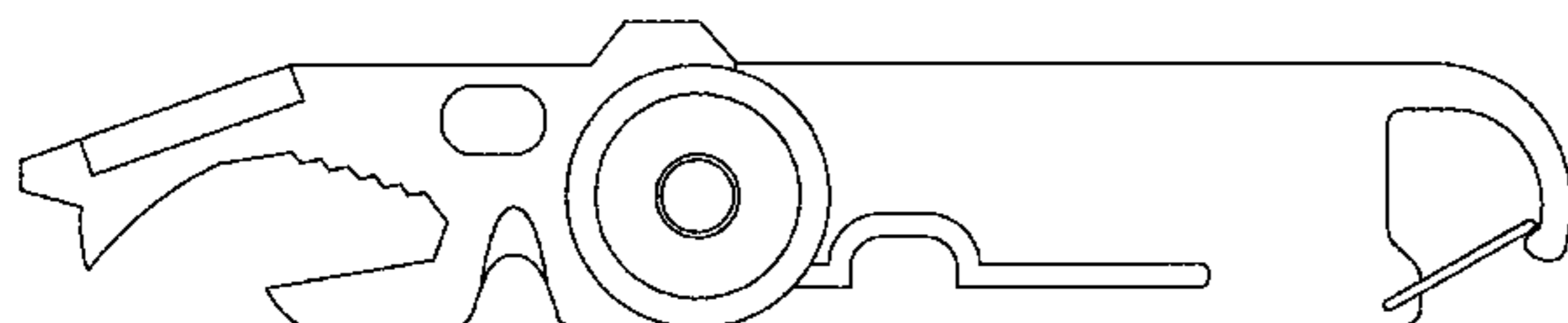
(57) **CLAIM**

The ornamental design for a hand tool, as shown and
described.

DESCRIPTION

FIG. 1 is a front view of a hand tool with a portion of the
hand tool extended in accordance with my invention;
FIG. 2 is a back view of the hand tool with a portion of the
hand tool extended;
FIG. 3 is a back view of the hand tool with a portion of the
hand tool retracted;
FIG. 4 is a front view of the hand tool with a portion of the
hand tool retracted;
FIG. 5 is a perspective top view of the hand tool with a
portion of the hand tool extended;
FIG. 6 is a perspective top view of the hand tool with a
portion of the hand tool retracted; and,
FIG. 7 is a bottom view of the hand tool with a portion of
the hand tool extended.

1 Claim, 3 Drawing Sheets



(58) **Field of Classification Search**
 CPC ... 2059/082; B63B 59/06; B63B 59/08; A45C
 11/324; B25G 1/085; Y10T 279/3406
 See application file for complete search history.

(56) **References Cited**

U.S. PATENT DOCUMENTS

D410,188 S * 5/1999 Dossett D8/107
 D412,274 S * 7/1999 Okada D8/98
 D419,851 S * 2/2000 Cheng D8/107
 D422,875 S * 4/2000 Beck D8/105
 D448,267 S * 9/2001 Jean D8/105
 6,352,010 B1 * 3/2002 Giarritta B26B 1/04
 7/168
 D464,553 S * 10/2002 Brown D8/99
 6,968,622 B2 * 11/2005 Ping B26B 1/042
 30/155
 D523,316 S * 6/2006 Kondo D8/99
 D523,317 S * 6/2006 Ryan D8/99
 D594,729 S * 6/2009 Cheldin D8/104
 D645,719 S * 9/2011 Wu D8/99
 D691,008 S * 10/2013 Watson D8/34
 D691,868 S * 10/2013 Watanabe D8/98
 D703,021 S * 4/2014 Thomas D8/99
 D709,344 S * 7/2014 Adelman B25B 15/00
 D3/208
 D711,720 S * 8/2014 Vanderbeek D8/105

D728,335 S * 5/2015 Watson D8/42
 D730,144 S * 5/2015 Jones D8/101
 D749,928 S * 2/2016 Stobar D8/99
 D758,824 S * 6/2016 Kelleghan D8/105
 D761,631 S * 7/2016 Jacobson D8/105
 D766,061 S * 9/2016 Barr D8/99
 D772,028 S * 11/2016 Tangreen D8/17
 D773,274 S * 12/2016 Berman D8/105
 D778,132 S * 2/2017 Fischer D8/17
 2011/0283840 A1 * 11/2011 Brucart-Puig B26B 1/08
 81/3.09
 2013/0255002 A1 * 10/2013 Keers B25F 1/04
 7/118
 2016/0257163 A1 * 9/2016 Levand B44D 3/164
 2017/0066118 A1 * 3/2017 Berman B25F 1/04
 2018/0015604 A1 * 1/2018 Berman A45C 11/324

OTHER PUBLICATIONS

Dawg Multi-Tool: Site Visited Feb. 8, 2018. Available from Internet
 URL: <https://www.trueutility.com/product/dawg-2/>.*

True Utility SporkKnife: Site Visited Feb. 8, 2018. Available from
 Internet URL: <https://www.trueutility.com/product/sporkknife/>.*

Doohickey Key Tool: Announced Feb. 6, 2014 [online]. Site Visited
 [Feb. 8, 2018]. Available from Internet URL: <http://www.niteize.com/product/DoohicKey-Multi-Tool.asp>.*

* cited by examiner

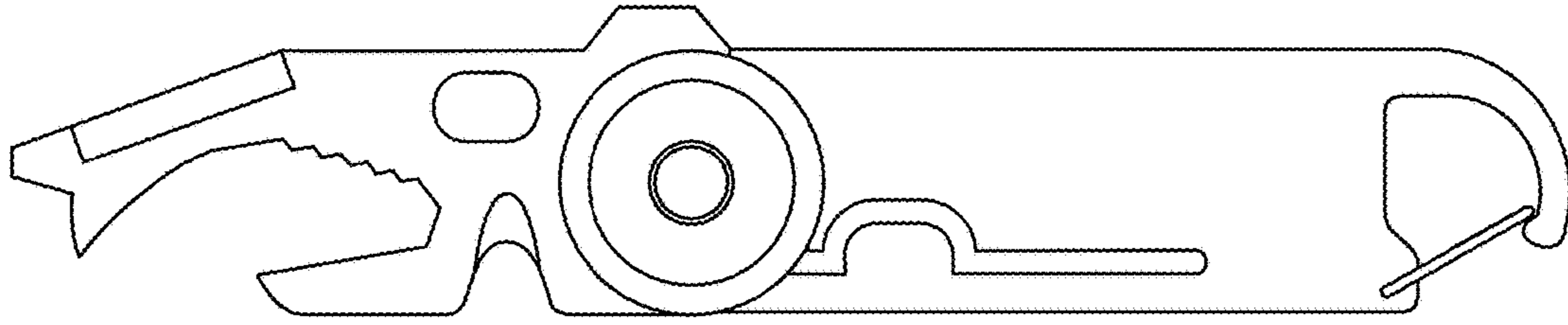


FIG. 1

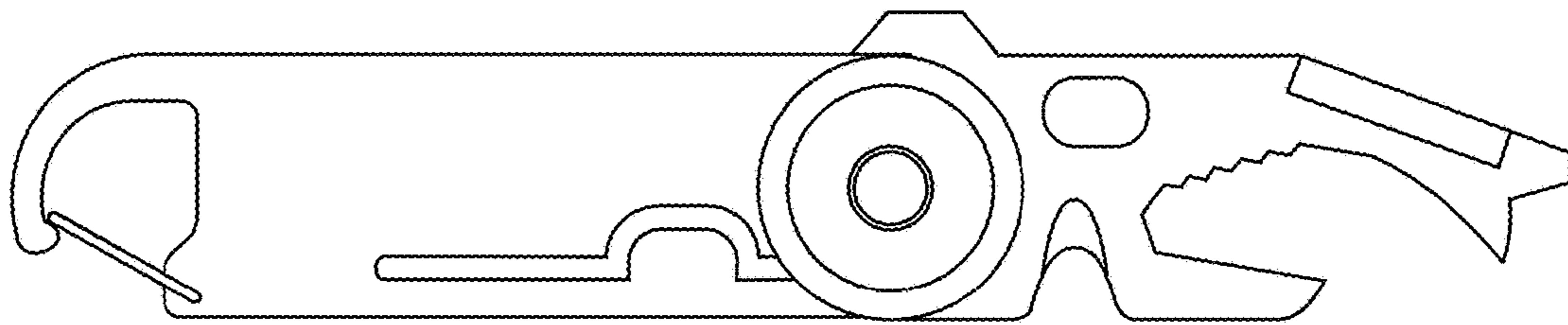


FIG. 2

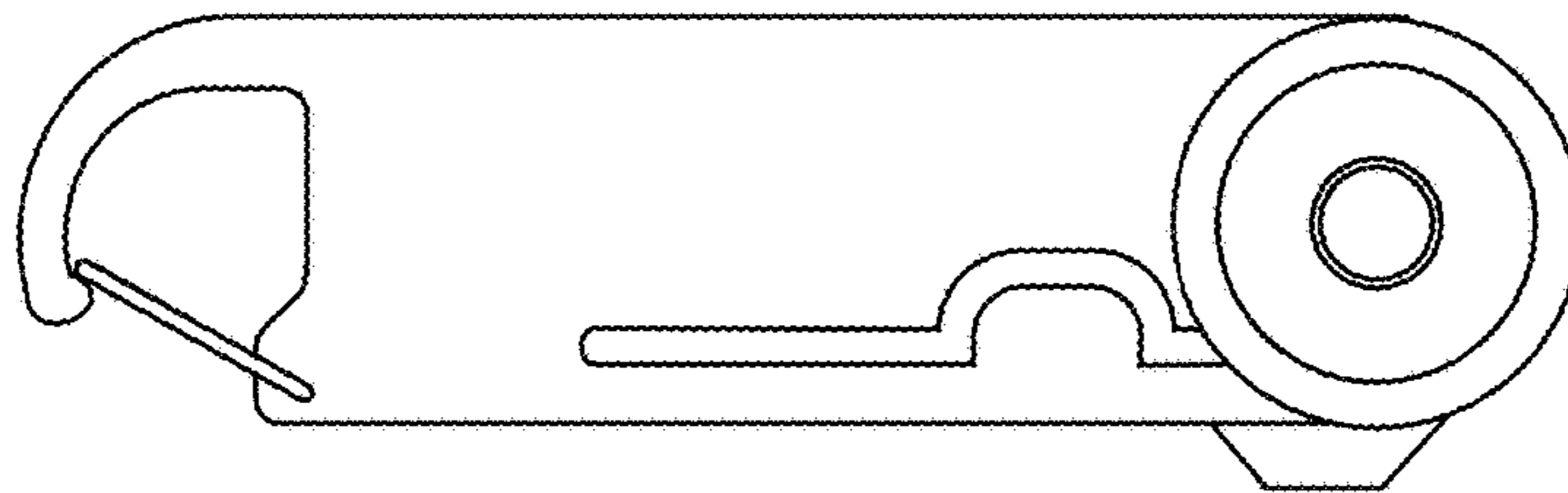


FIG. 3

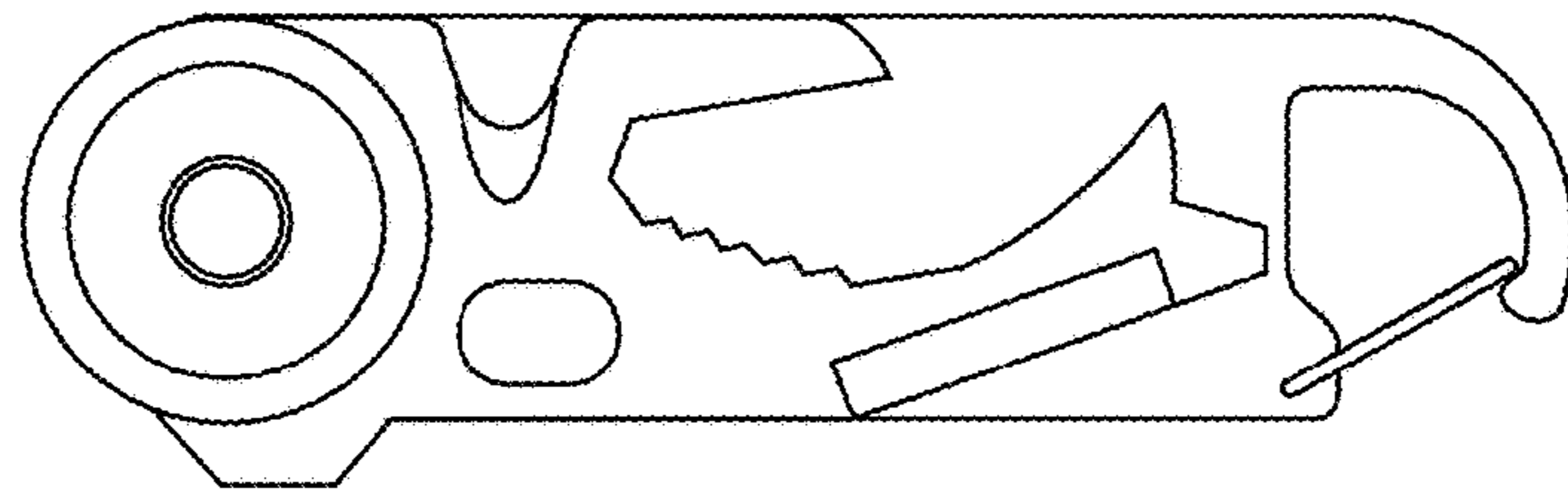


FIG. 4

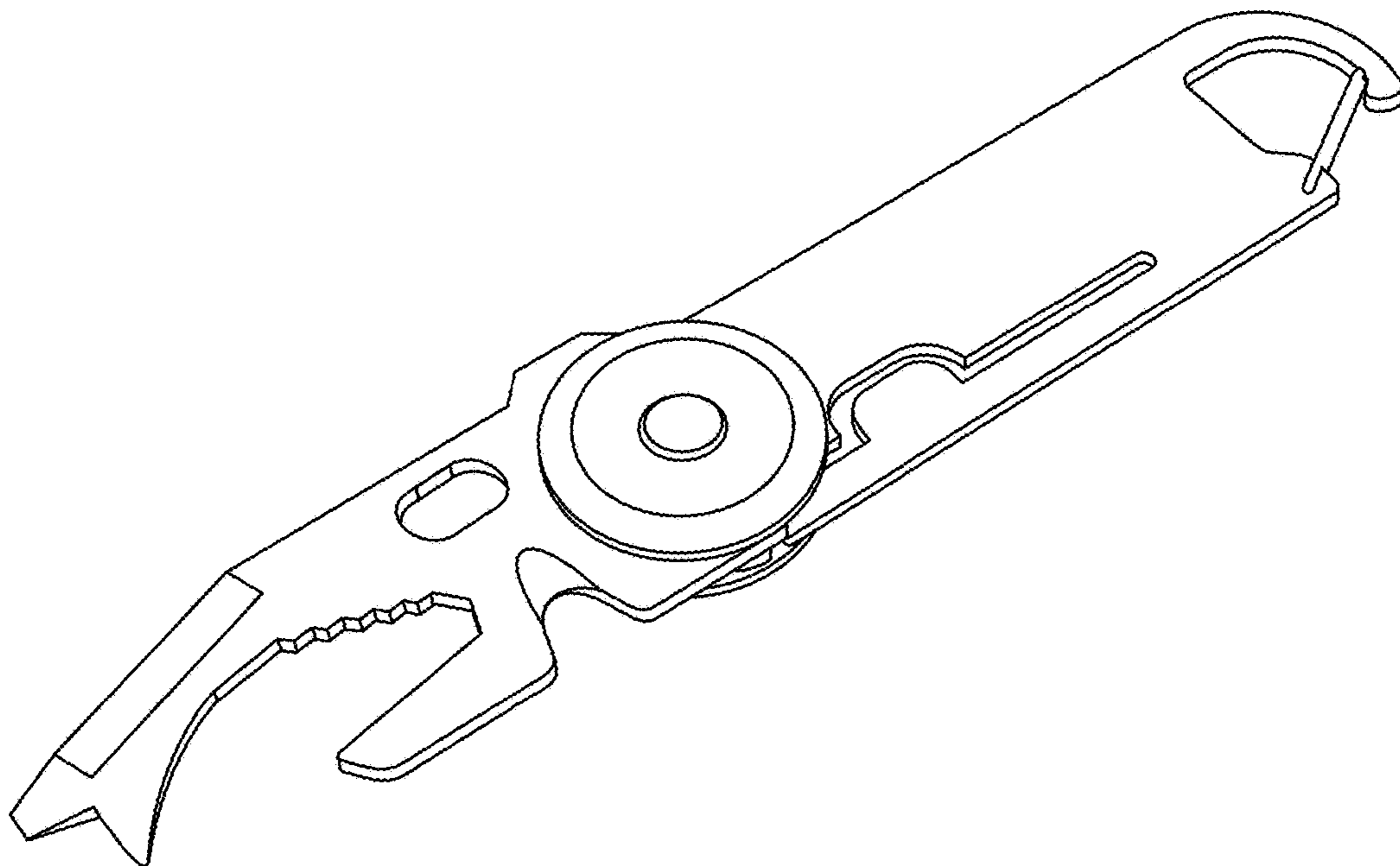


FIG. 5

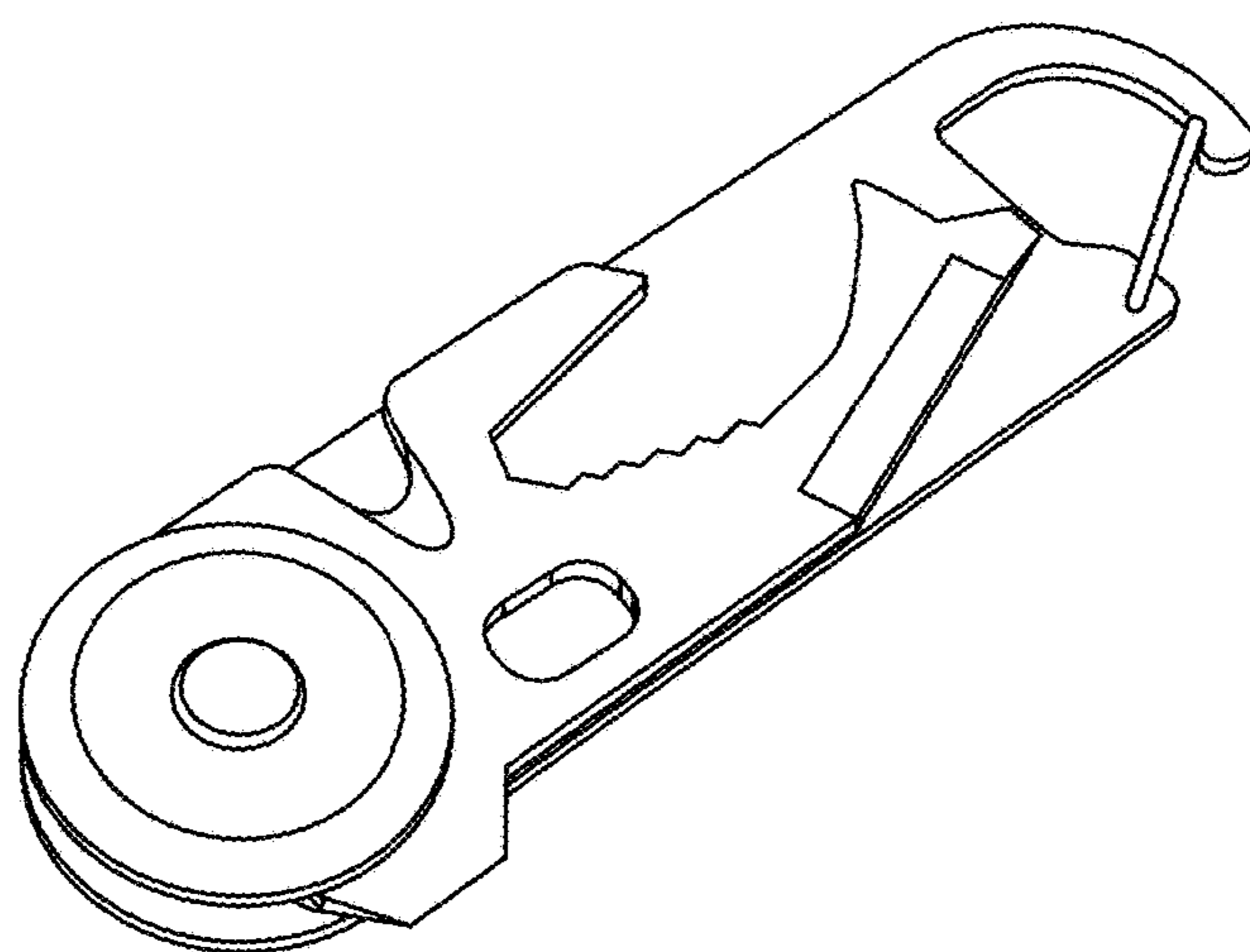


FIG. 6

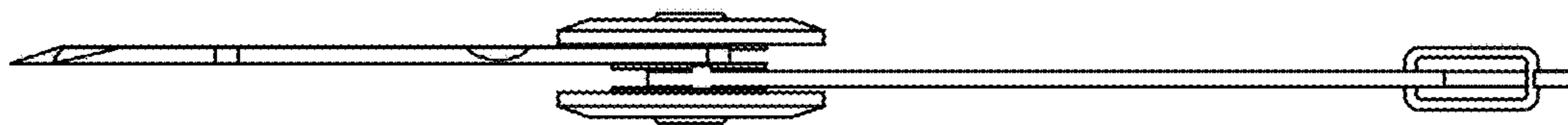


FIG. 7