

US00D832672S

(12) **United States Design Patent** (10) **Patent No.:** **US D832,672 S**
Rohrbach (45) **Date of Patent:** **** Nov. 6, 2018**

- (54) **SAFETY CUTTER**
- (71) Applicant: **MARTOR KG**, Solingen (DE)
- (72) Inventor: **Martin Rohrbach**, Horn (DE)
- (73) Assignee: **MARTOR KG**, Solingen (DE)
- (**) Term: **15 Years**
- (21) Appl. No.: **29/561,633**
- (22) Filed: **Apr. 18, 2016**

- D398,829 S 9/1998 Okada
 - D399,114 S 10/1998 Okada
 - D436,825 S 1/2001 Chen
 - D443,494 S * 6/2001 Okada D8/98
 - D453,673 S 2/2002 Chen
 - D453,896 S * 2/2002 Hirai D8/99
- (Continued)

Related U.S. Application Data

- (63) Continuation-in-part of application No. 29/515,490, filed on Jan. 23, 2015.

Foreign Application Priority Data

- (30) Jul. 24, 2014 (EM) 002508325-0001
- Jul. 24, 2014 (EM) 002508325-0002

- (51) **LOC (11) Cl.** **08-03**
- (52) **U.S. Cl.**
- USPC **D8/99**

- (58) **Field of Classification Search**
- USPC D8/98, 99, 105, 107
- CPC B26B 5/001; B26B 5/003; B26B 11/00;
- B26B 1/08
- See application file for complete search history.

References Cited

U.S. PATENT DOCUMENTS

- (56) 3,448,518 A * 6/1969 Sklar B26B 5/002
30/162
- 4,103,421 A * 8/1978 Quenot B26B 5/002
30/162
- D264,799 S * 6/1982 Osada D24/147
- D354,900 S * 1/1995 Hirai D8/99
- 5,502,896 A * 4/1996 Chen B26B 5/002
30/162

OTHER PUBLICATIONS

U.S. Appl. No. 29/515,490 , "Final Office Action", dated Apr. 26, 2016, 8 pages.

(Continued)

Primary Examiner — Philip S Hyder

(74) *Attorney, Agent, or Firm* — Kilpatrick Townsend & Stockton LLP

(57) **CLAIM**

The ornamental design for a safety cutter, as shown and described.

DESCRIPTION

FIG. 1 is a perspective view of a safety cutter showing our new design;

FIG. 2 is a right side elevation view thereof;

FIG. 3 is a left side elevation view thereof;

FIG. 4 is a left side elevation view thereof, turned ninety degrees from FIG. 3;

FIG. 5 is a right side elevation view thereof, turned ninety degrees from FIG. 2

FIG. 6 is a top plan view thereof;

FIG. 7 is a left-front perspective view thereof;

FIG. 8 is a left-front perspective view thereof; wherein the blade is extended;

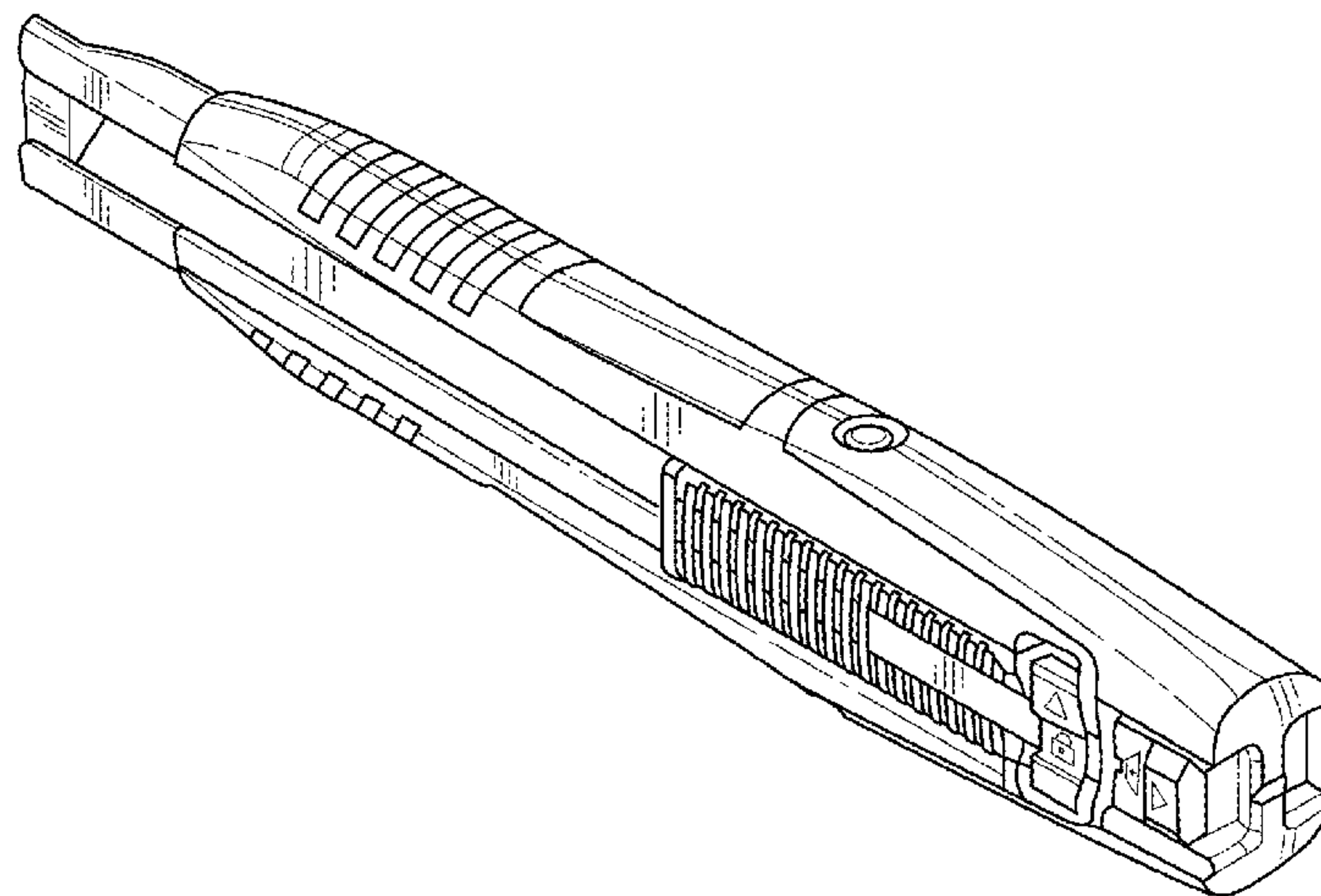
FIG. 9 is a left-rear perspective view thereof;

FIG. 10 is a left-rear perspective view thereof; wherein the blade is extended;

FIG. 11 is a right-rear perspective view thereof; and,

FIG. 12 is a right-front perspective view thereof.

1 Claim, 11 Drawing Sheets



(56)

References Cited

U.S. PATENT DOCUMENTS

D459,189 S 6/2002 Chong
6,745,474 B1 6/2004 Huang et al.
6,745,478 B2 * 6/2004 DeLillo B26B 5/00
30/172
D511,448 S 11/2005 Chen
D549,068 S * 8/2007 Groten D8/99
D596,474 S * 7/2009 Groten D8/99
D596,915 S 7/2009 Garcia et al.
D699,540 S 2/2014 Wagner
D724,409 S * 3/2015 Segler D8/99
D742,198 S * 11/2015 Kugimiya D8/99
D745,358 S * 12/2015 Kugimiya D8/99

OTHER PUBLICATIONS

U.S. Appl. No. 29/515,490 , “Non-Final Office Action”, dated Nov. 10, 2015, 11 pages.

* cited by examiner

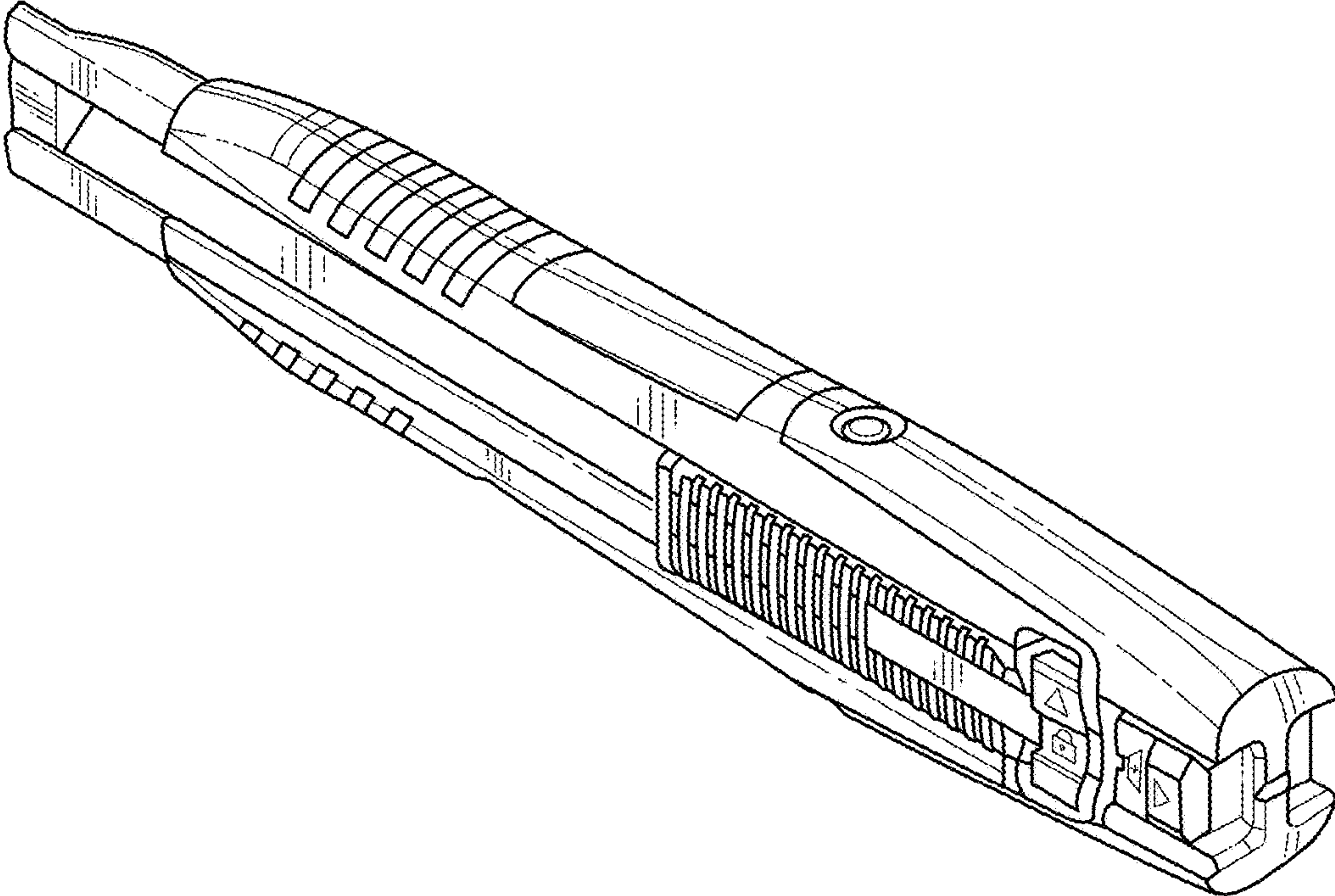


FIG. 1

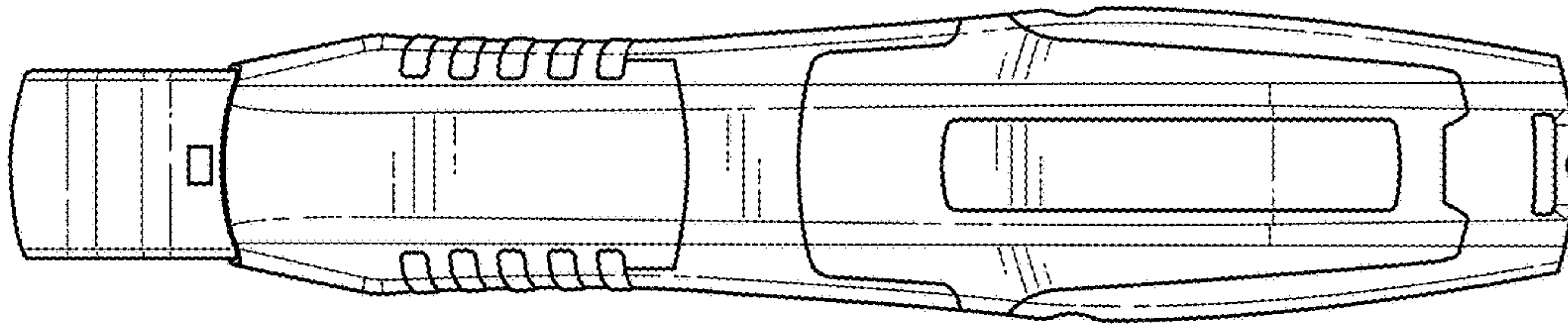


FIG. 2

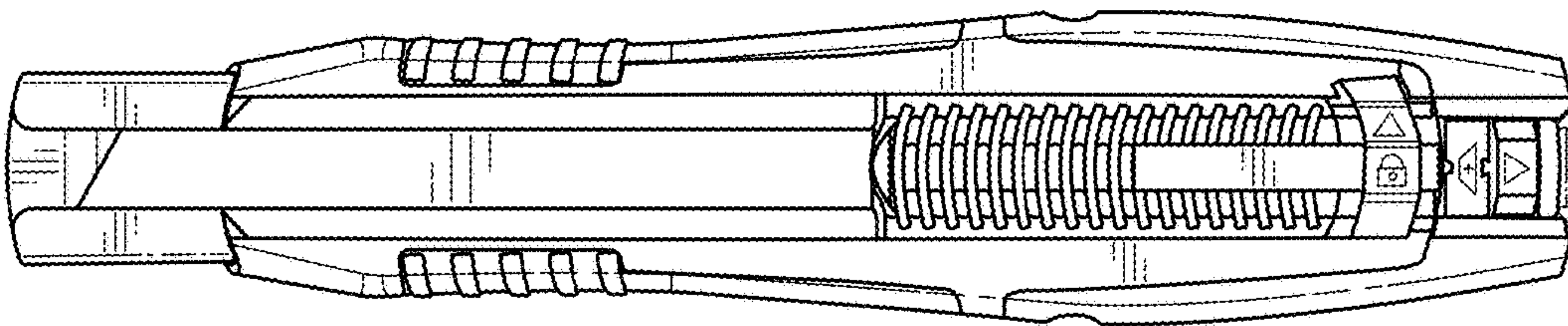


FIG. 3

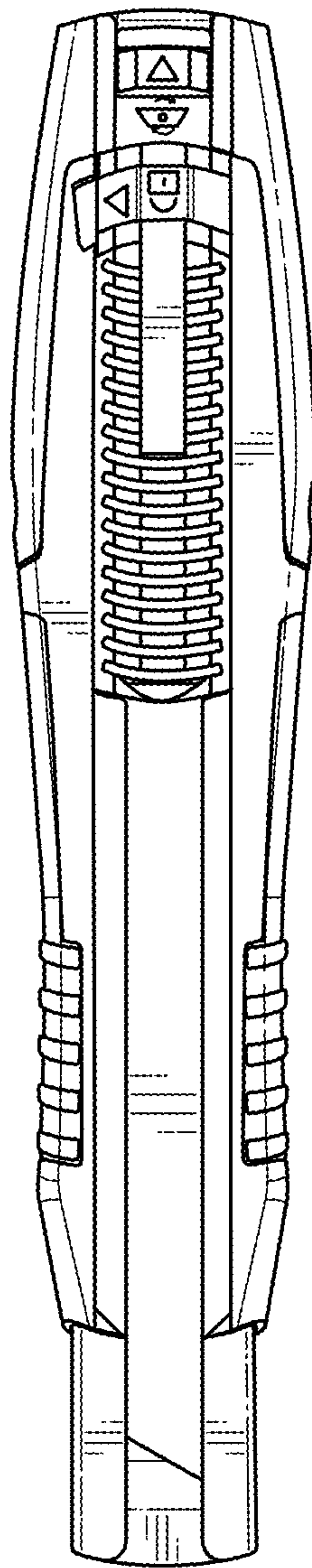


FIG. 4

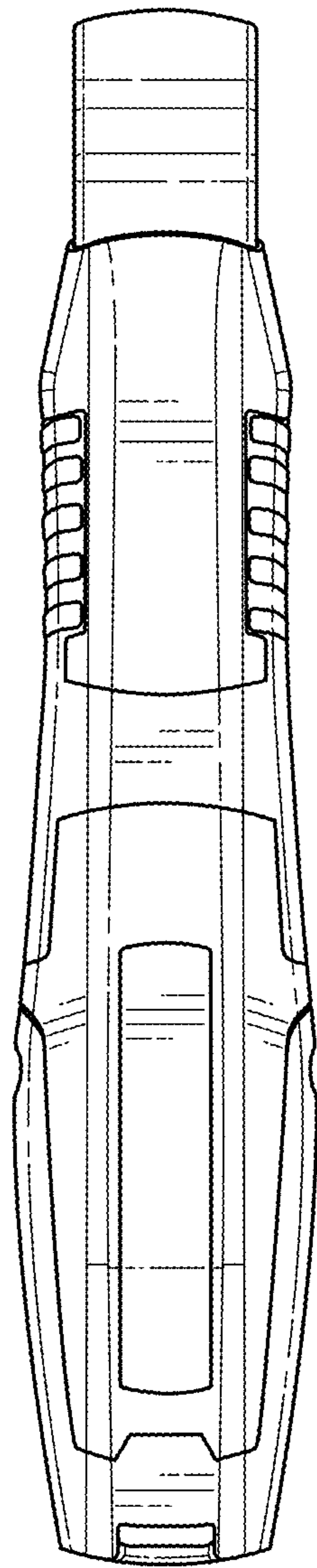


FIG. 5

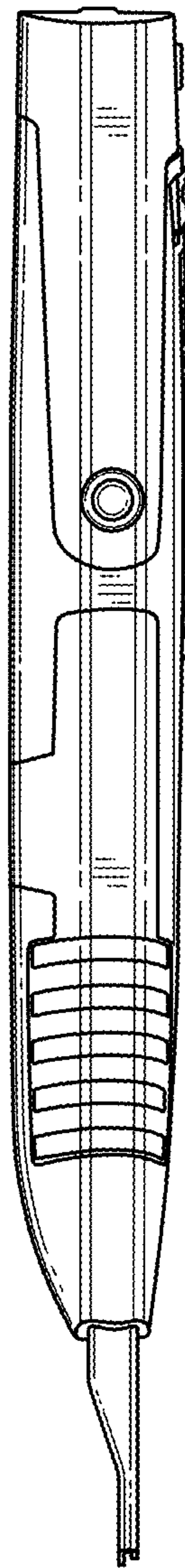


FIG. 6

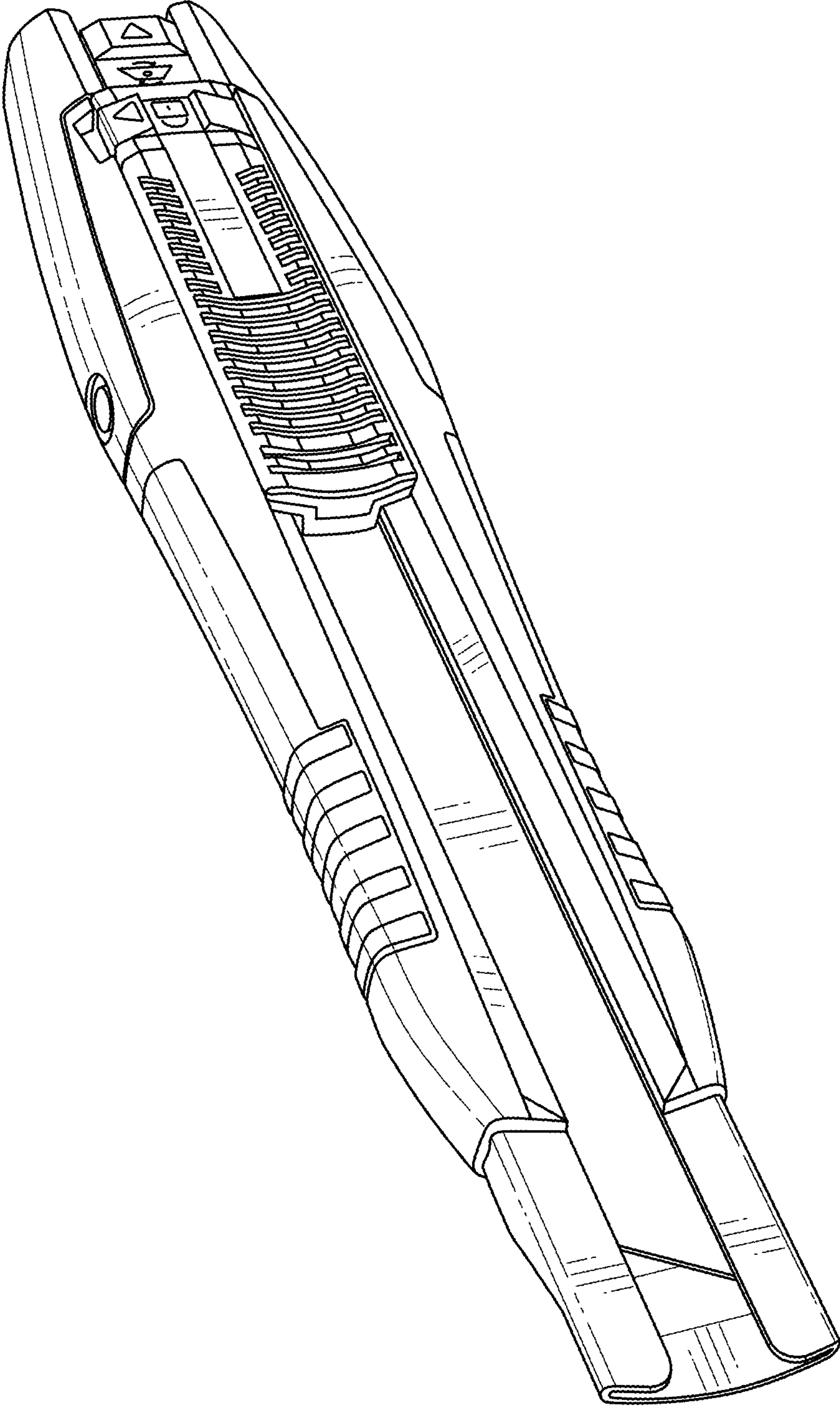


FIG. 7

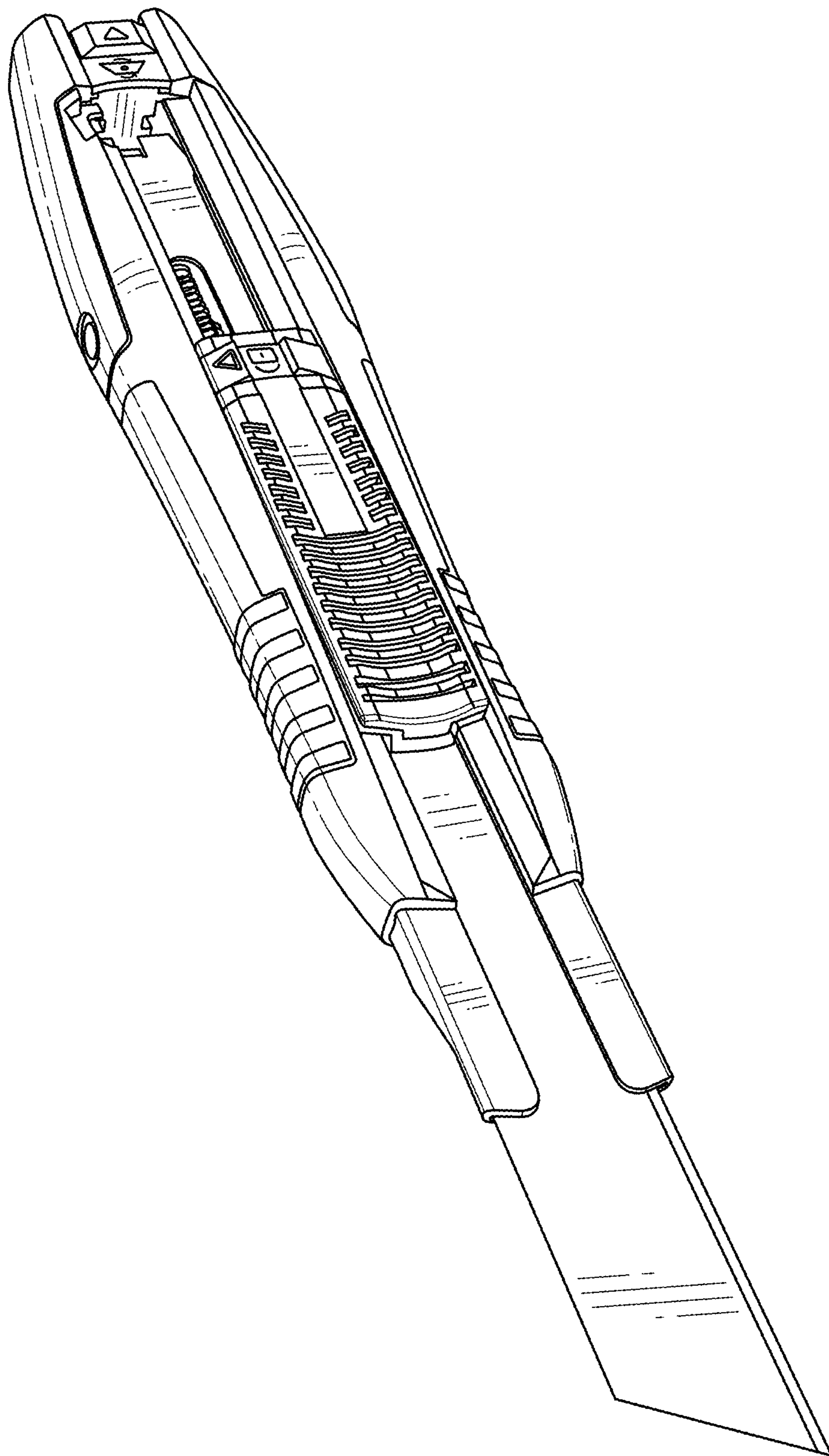


FIG. 8

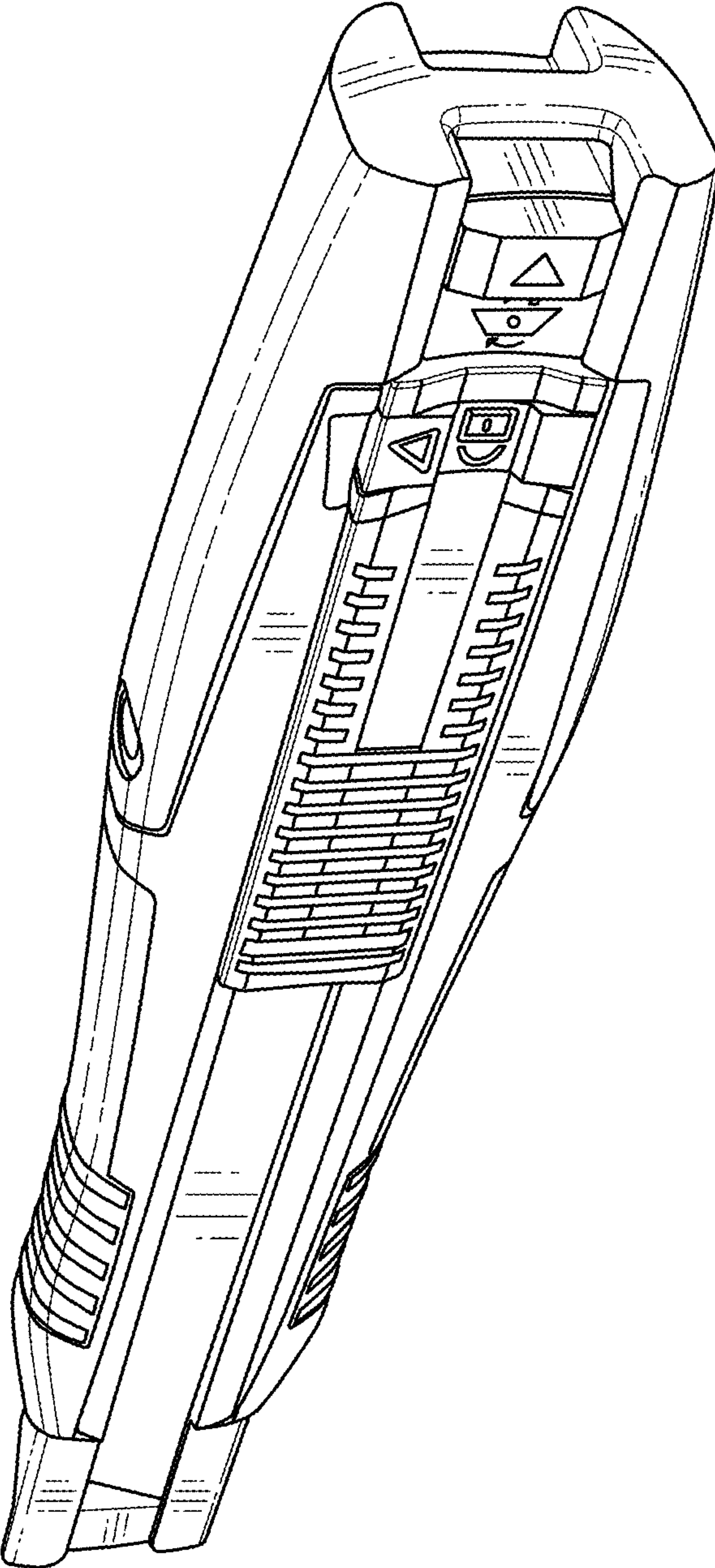


FIG. 9

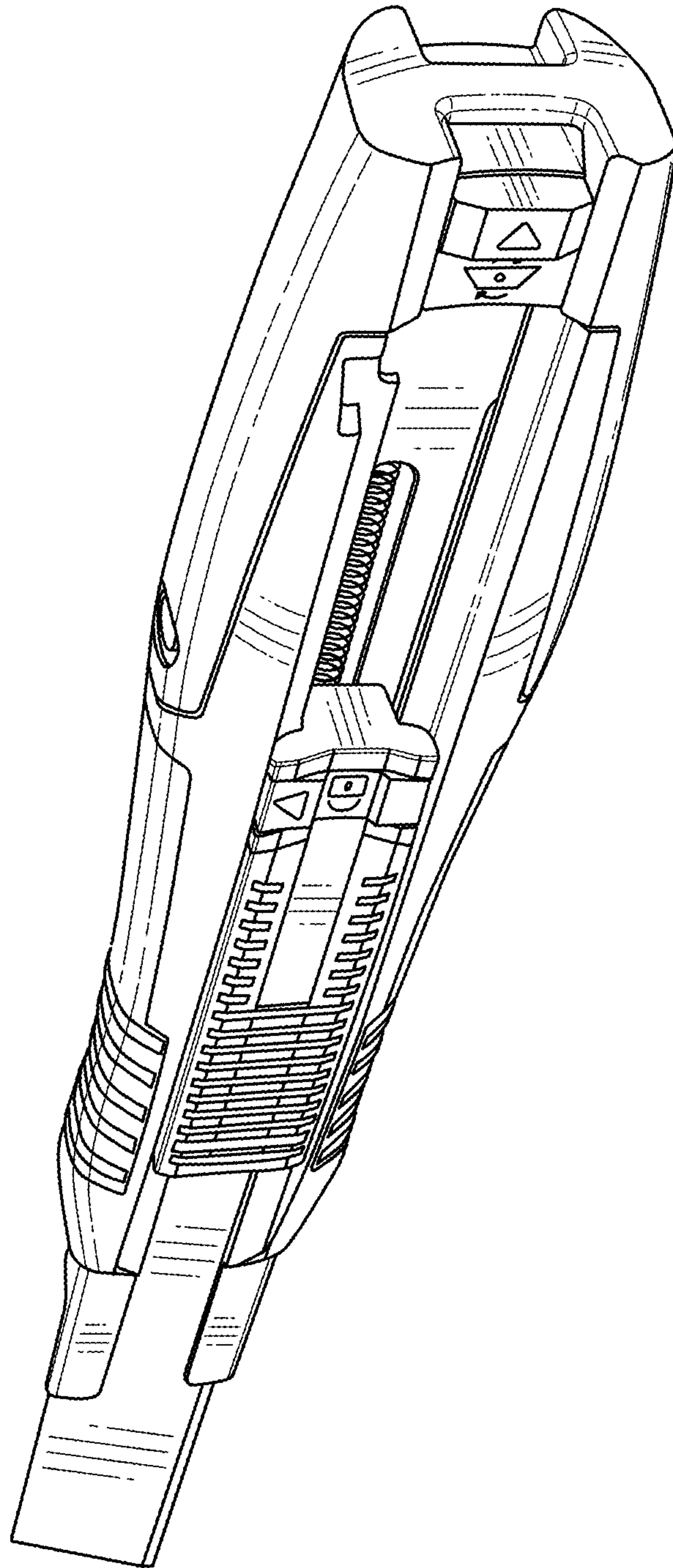


FIG. 10

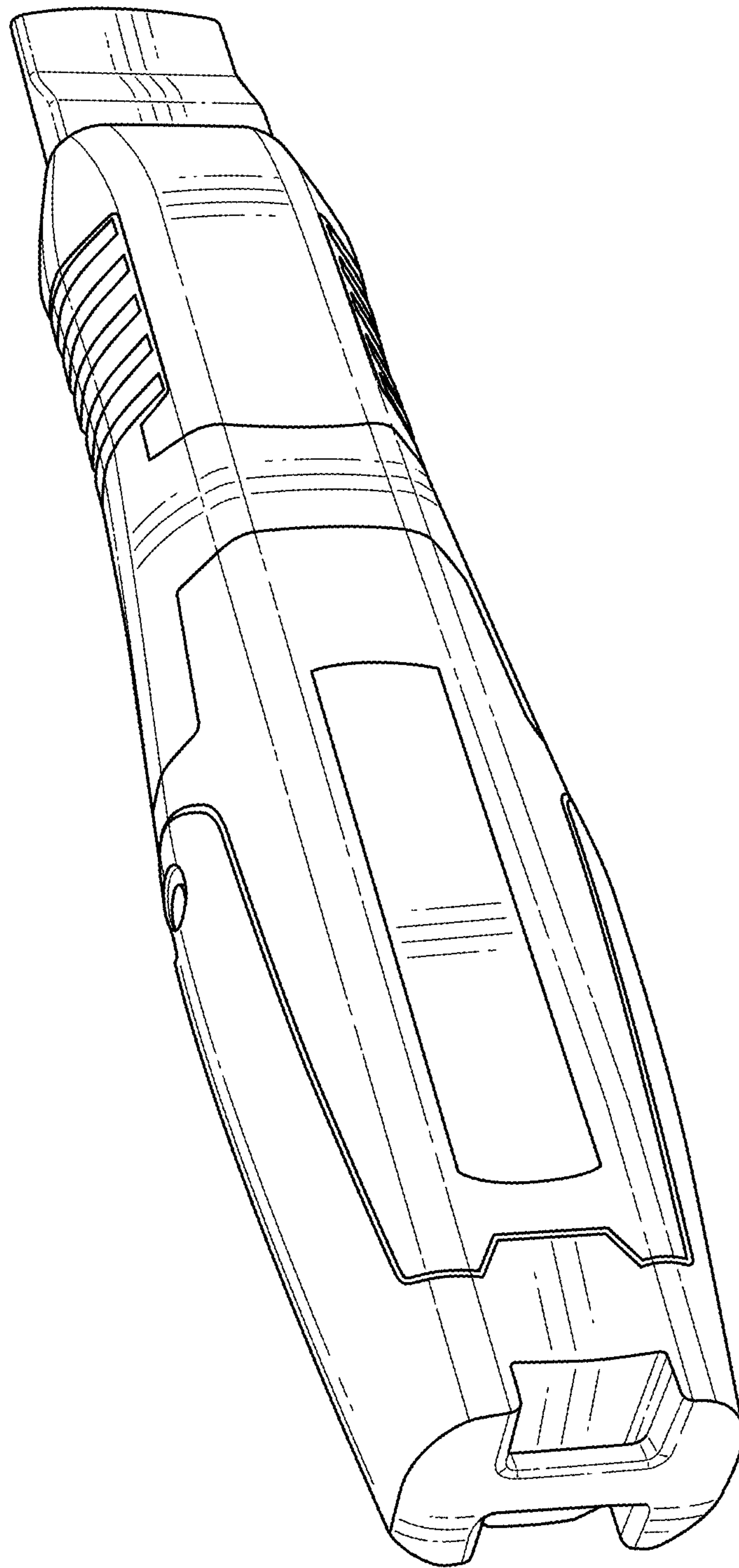


FIG. 11

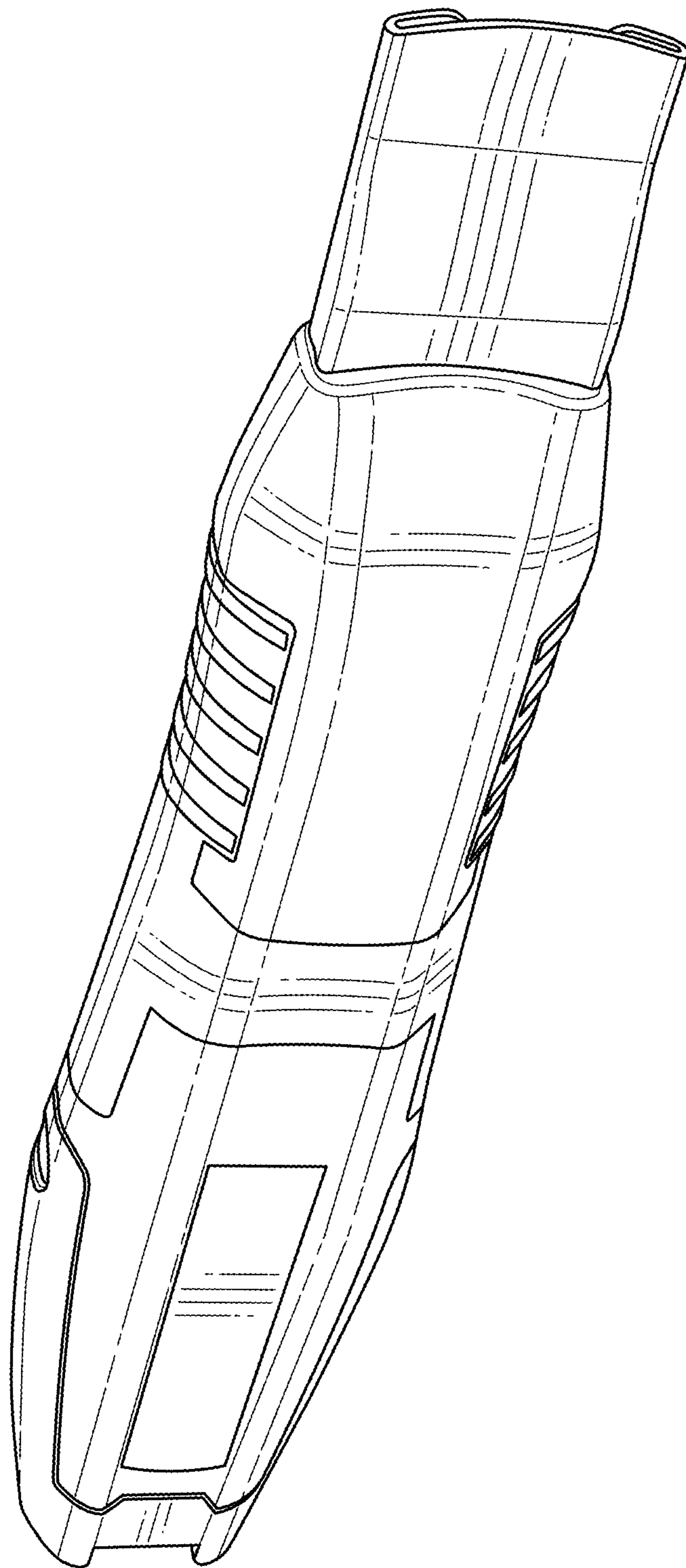


FIG. 12