



US00D832671S

(12) **United States Design Patent** (10) **Patent No.:** **US D832,671 S**  
**Gangakhedkar et al.** (45) **Date of Patent:** **\*\* \*Nov. 6, 2018**

- (54) **ANCHOR POINT CLAMP** D391,150 S 2/1998 Anderson
- (71) Applicant: **Cequent Consumer Products, Inc.,** D393,998 S 5/1998 Anderson  
Solon, OH (US) D421,214 S 2/2000 Koros et al.
- (72) Inventors: **Dhananjay Gangakhedkar,** Twinsburg, OH (US); **Matthew Romanak,** Garfield Heights, OH (US); **Curt Geidman,** Strongsville, OH (US) 6,039,520 A 3/2000 Cheng  
D435,771 S 1/2001 Miller  
D443,493 S 6/2001 Skeem  
D454,479 S 3/2002 Kolpin  
D484,399 S 12/2003 Arthur  
D516,891 S 3/2006 Thomas  
7,080,966 B2 7/2006 Roh

(Continued)

- (73) Assignee: **Cequent Performance Products, Inc.,** Bloomfield Hills, MI (US)

**FOREIGN PATENT DOCUMENTS**

- (\*) Notice: This patent is subject to a terminal disclaimer. CA 145306 4/2013  
CA 149424 4/2013

- (\*\*) Term: **14 Years**

**OTHER PUBLICATIONS**

- (21) Appl. No.: **29/486,870**

The Hooker—A Universal Truck Bed Hook, <http://thehookerbiz/>, p. 1; Feb. 25, 2010.

- (22) Filed: **Apr. 3, 2014**

Primary Examiner — David Muller

**Related U.S. Application Data**

(74) Attorney, Agent, or Firm — McDonald Hopkins LLC

- (62) Division of application No. 29/404,041, filed on Oct. 14, 2011, now Pat. No. Des. 705,029.

(57) **CLAIM**

- (51) **LOC (11) Cl.** ..... **08-05**

The ornamental design of an anchor point clamp, as shown and described.

- (52) **U.S. Cl.**

USPC ..... **D8/72**

**DESCRIPTION**

- (58) **Field of Classification Search**

USPC .... D8/71-74, 394, 59; 248/62, 63, 72, 74.1, 248/689, 124.2; 81/487; 269/3, 4, 6, 269/143, 165, 240, 243, 246-249, 254 R, 269/147-149; 29/256, 257, 276; D15/140; 408/103, 104-109; D6/400

CPC ..... B25B 1/00; B25B 5/00

See application file for complete search history.

FIG. 1 is a rear perspective view of an anchor point clamp showing our new design;  
FIG. 2 is a front perspective view thereof;  
FIG. 3 is a rear elevation view thereof;  
FIG. 4 is a front elevation view thereof;  
FIG. 5 is a first side elevation view thereof;  
FIG. 6 is a second side elevation view thereof;  
FIG. 7 is a top plan view thereof; and,  
FIG. 8 is a bottom plan view thereof.

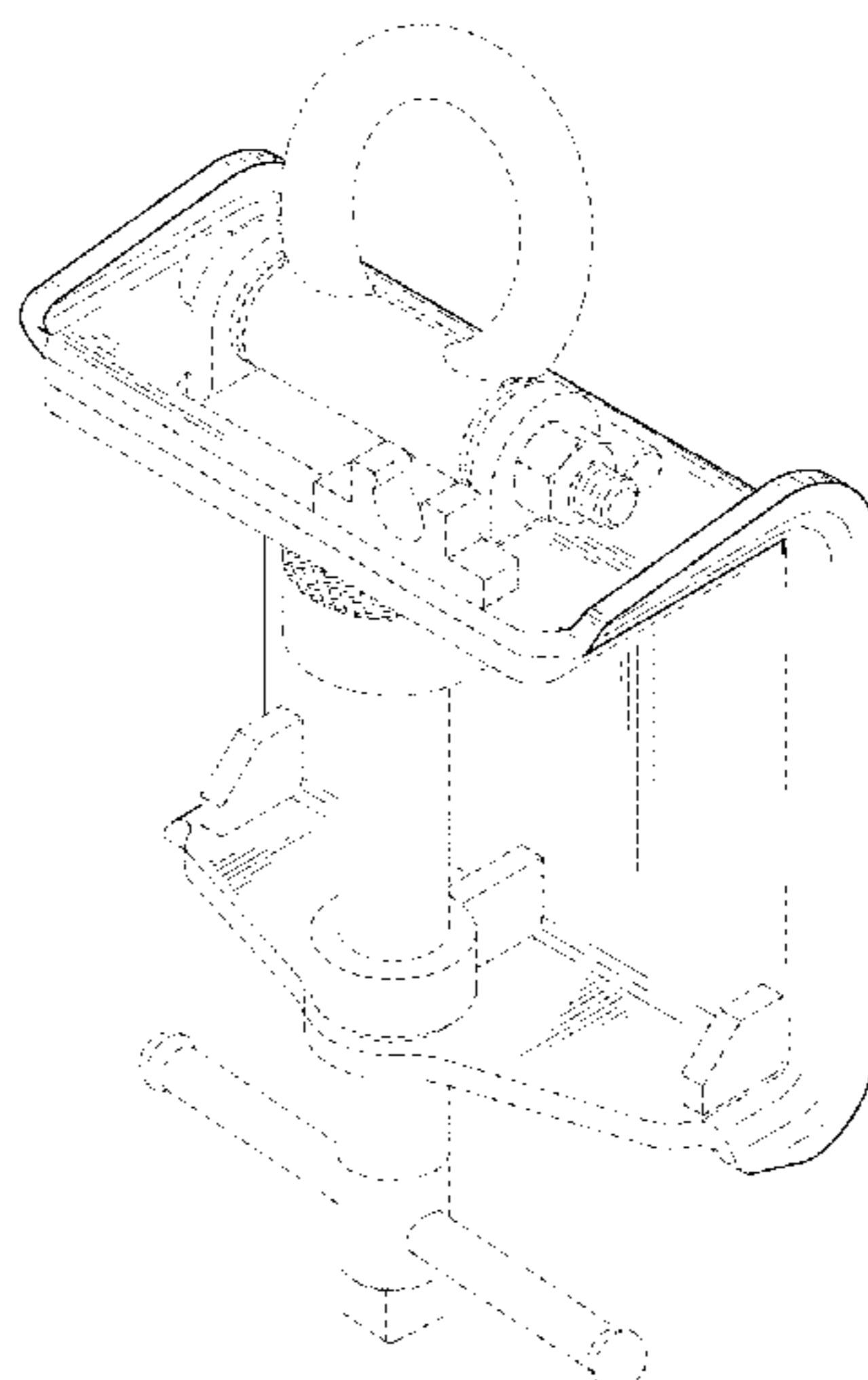
- (56) **References Cited**

**U.S. PATENT DOCUMENTS**

- D332,562 S 1/1993 Fremont et al.
- D337,934 S 8/1993 Young
- D340,018 S 10/1993 Yoder

The features shown in broken lines in the drawing figures depict environmental subject matter only and form no part of the claimed design.

**1 Claim, 3 Drawing Sheets**



(56)

**References Cited**

U.S. PATENT DOCUMENTS

D568,135 S 5/2008 Pribyl et al.  
D651,884 S 1/2012 Jansson  
D668,522 S \* 10/2012 Henderson ..... D8/73  
D672,226 S \* 12/2012 Wall ..... D8/380  
D701,795 S \* 4/2014 Brown, Jr. .... D12/133  
D705,029 S 5/2014 Gangakhedkar et al.  
D719,000 S \* 12/2014 Palmer ..... D8/73  
D727,216 S \* 4/2015 Brown, Jr. .... D12/133  
D727,217 S \* 4/2015 Brown, Jr. .... D12/133  
D727,716 S \* 4/2015 Langle ..... D8/355  
D730,708 S \* 6/2015 Spector ..... D8/73  
D733,267 S \* 6/2015 McCarter ..... D23/265  
D735,017 S \* 7/2015 Langle ..... D8/355  
D739,710 S \* 9/2015 Bukovitz ..... D4/199  
D742,719 S \* 11/2015 Komura ..... D8/349  
D743,244 S \* 11/2015 Anderson ..... D8/394

\* cited by examiner

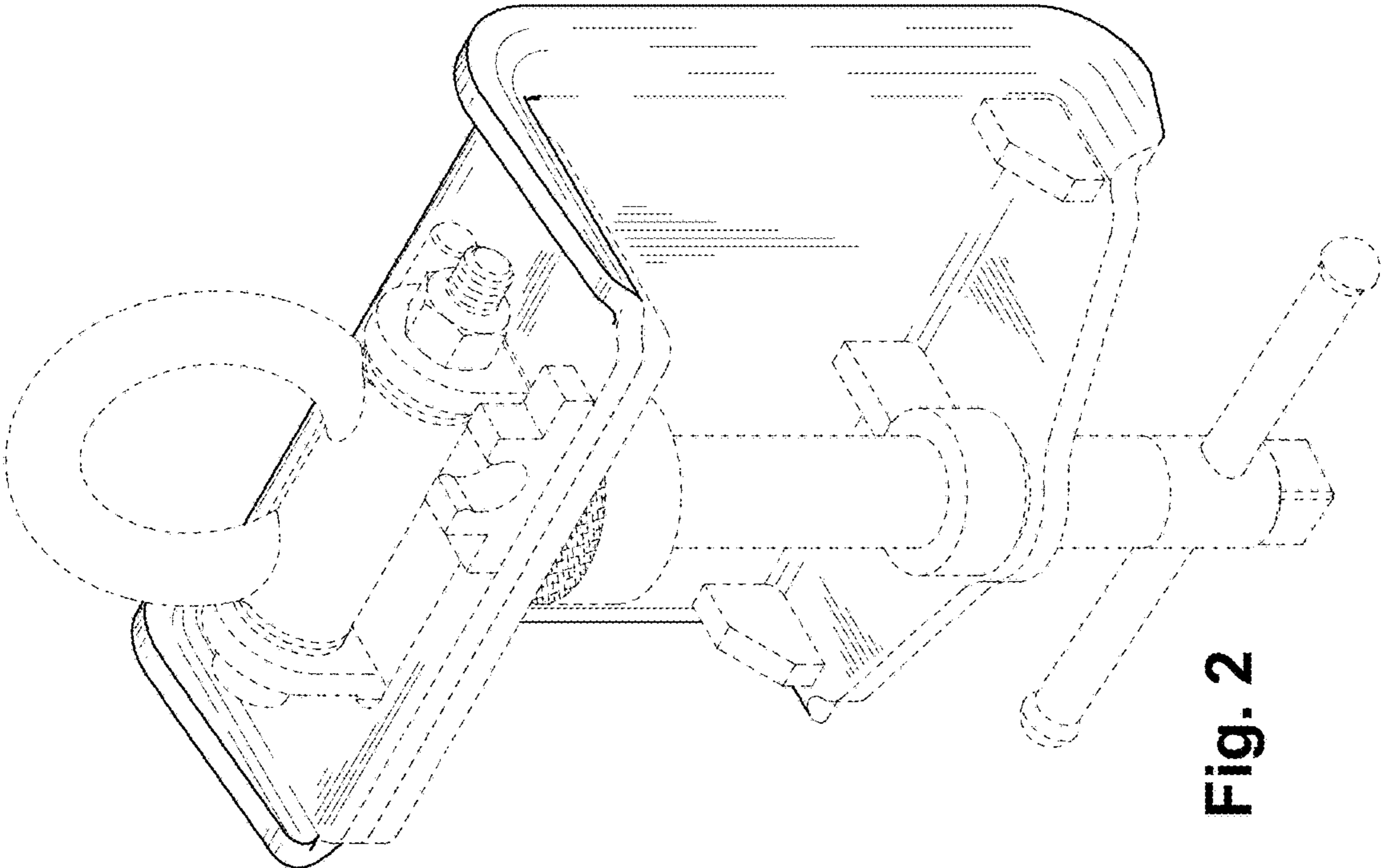


Fig. 2

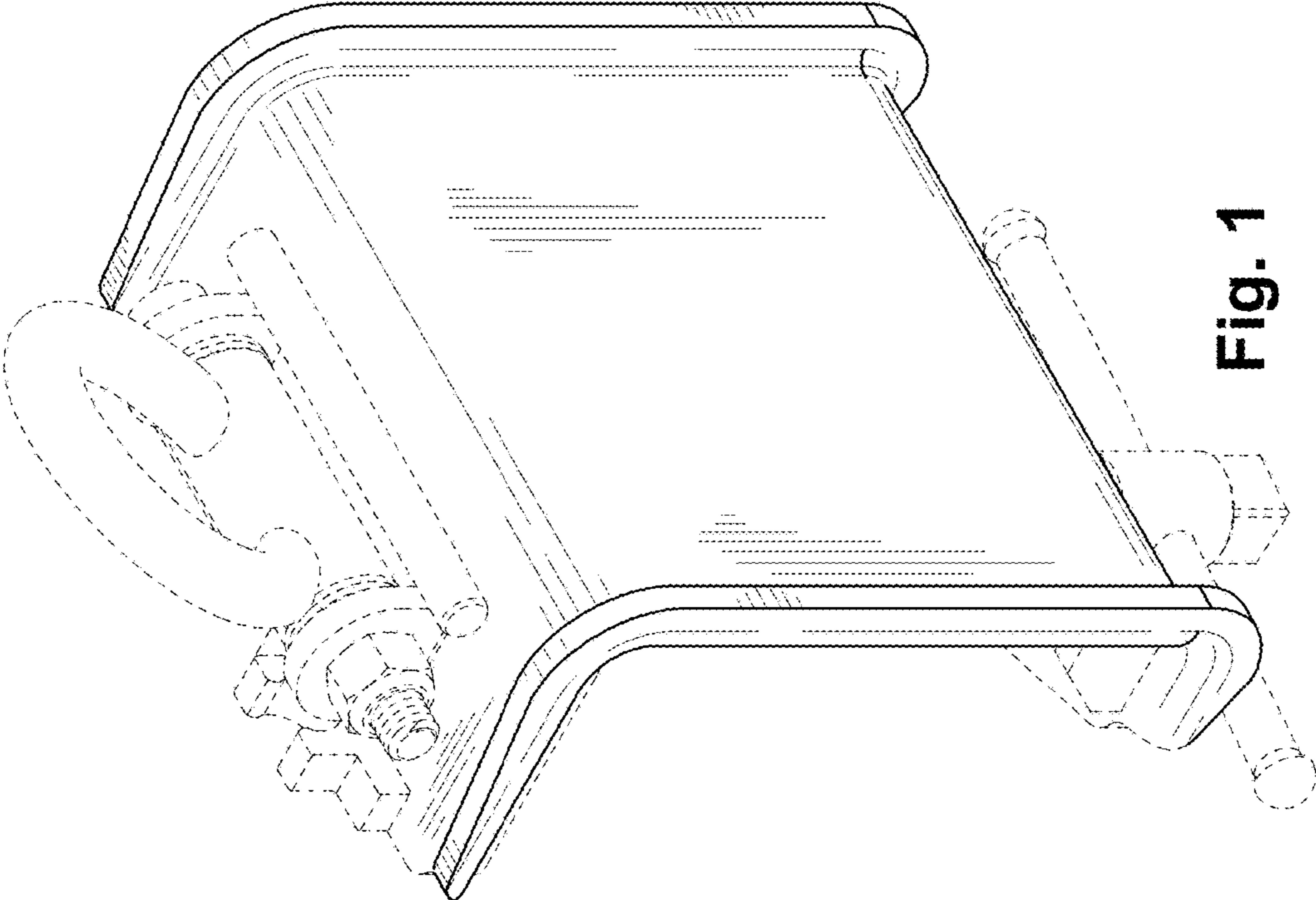


Fig. 1

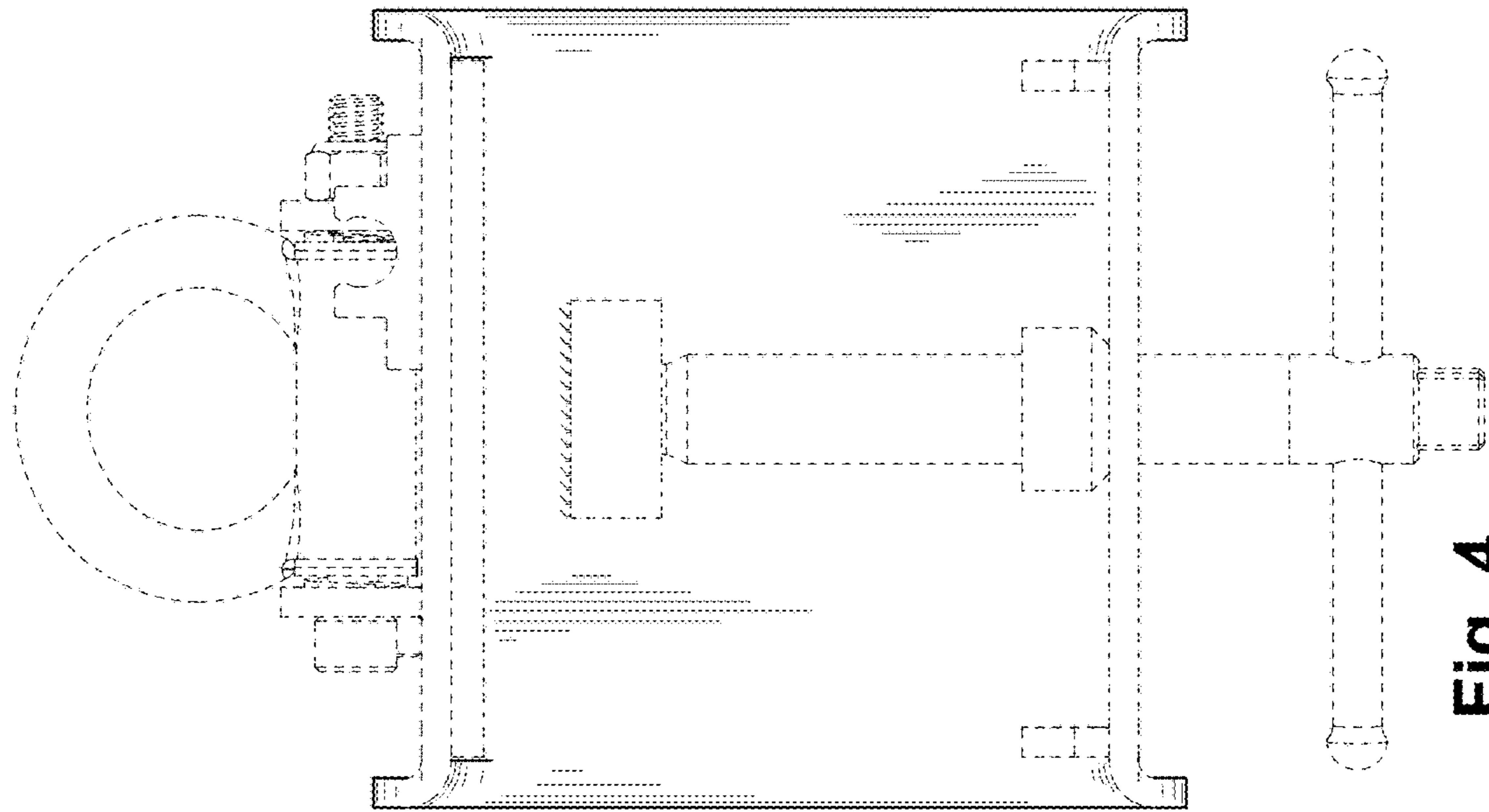


Fig. 4

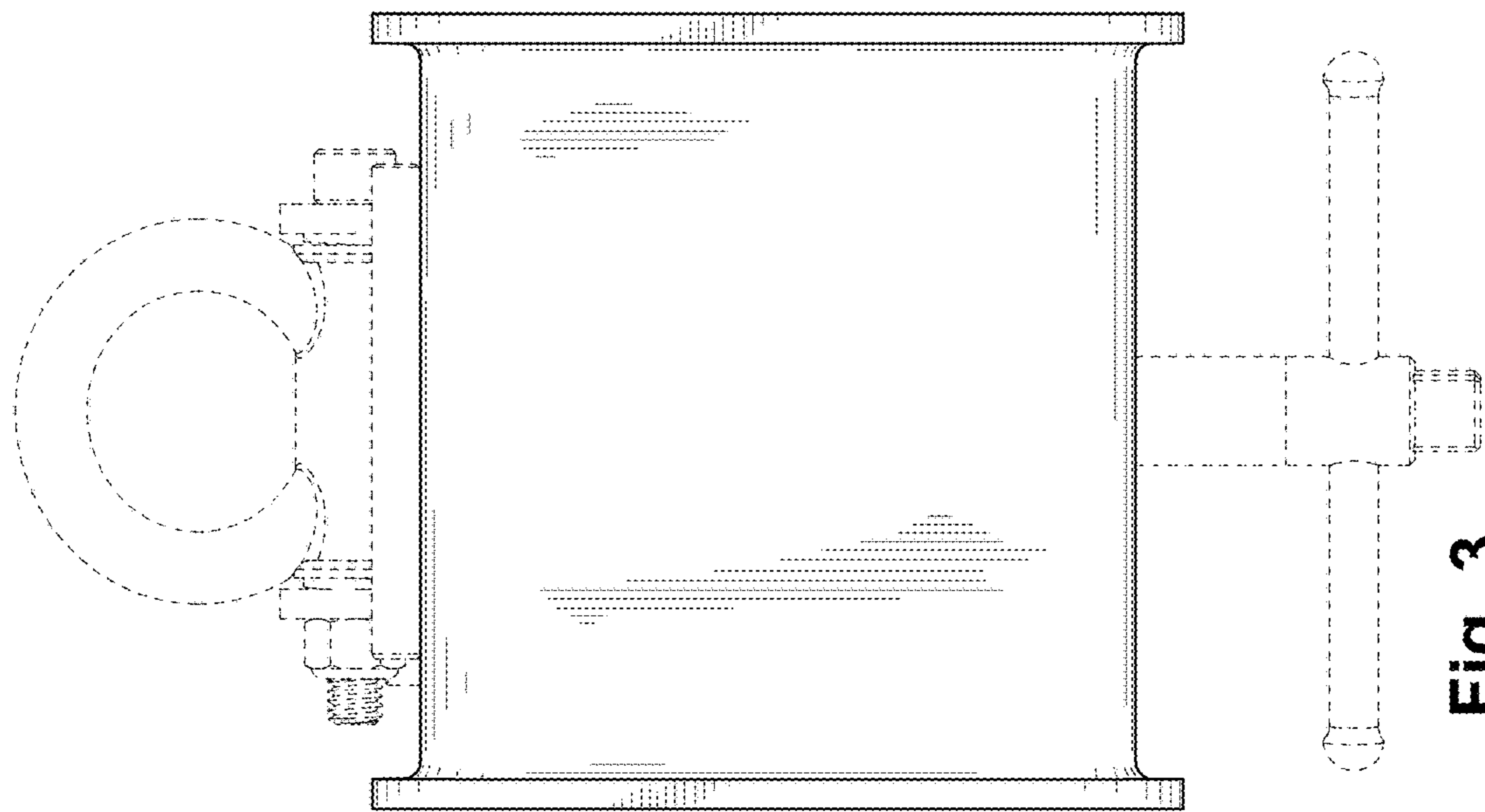


Fig. 3

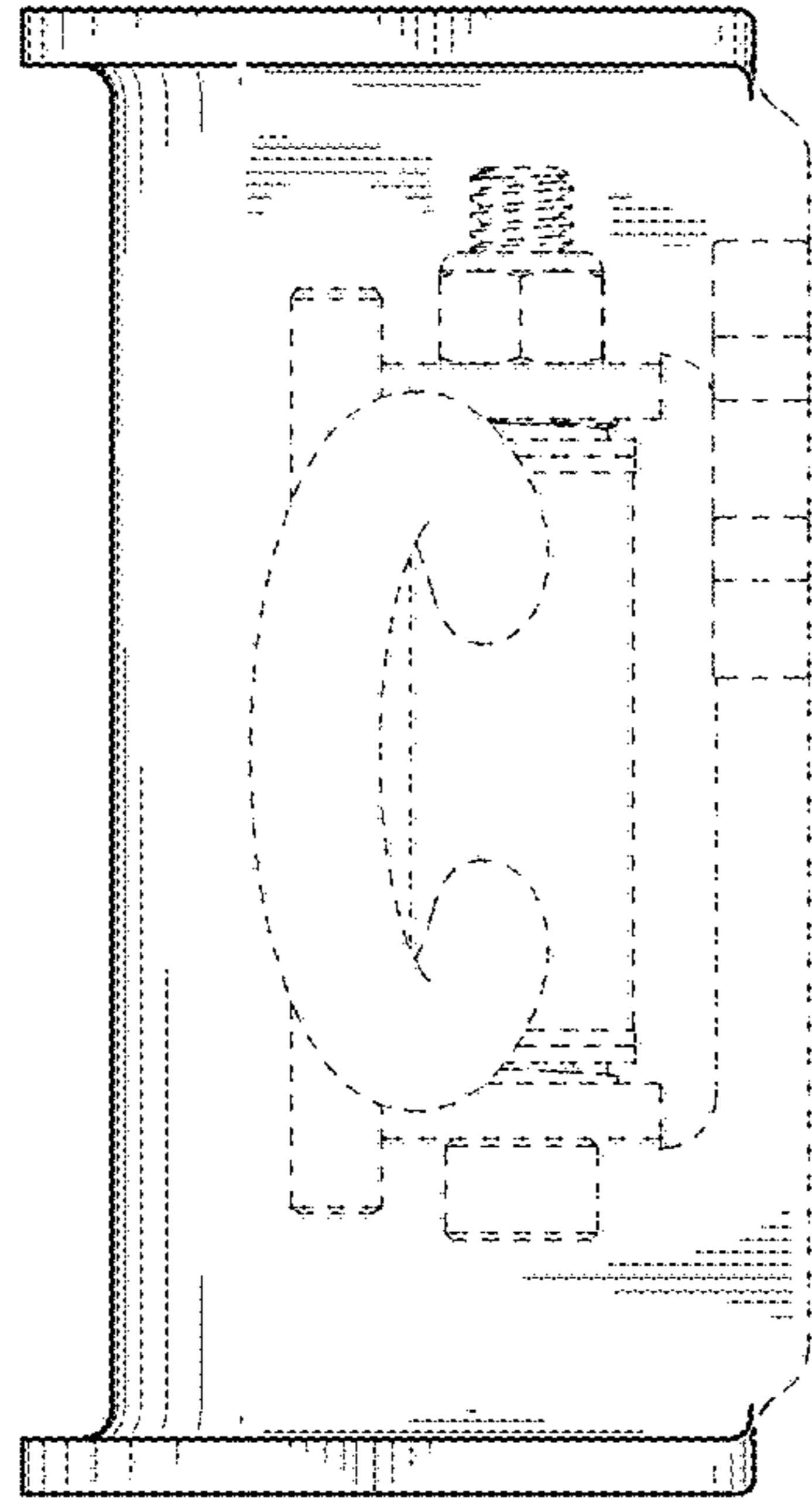


Fig. 7

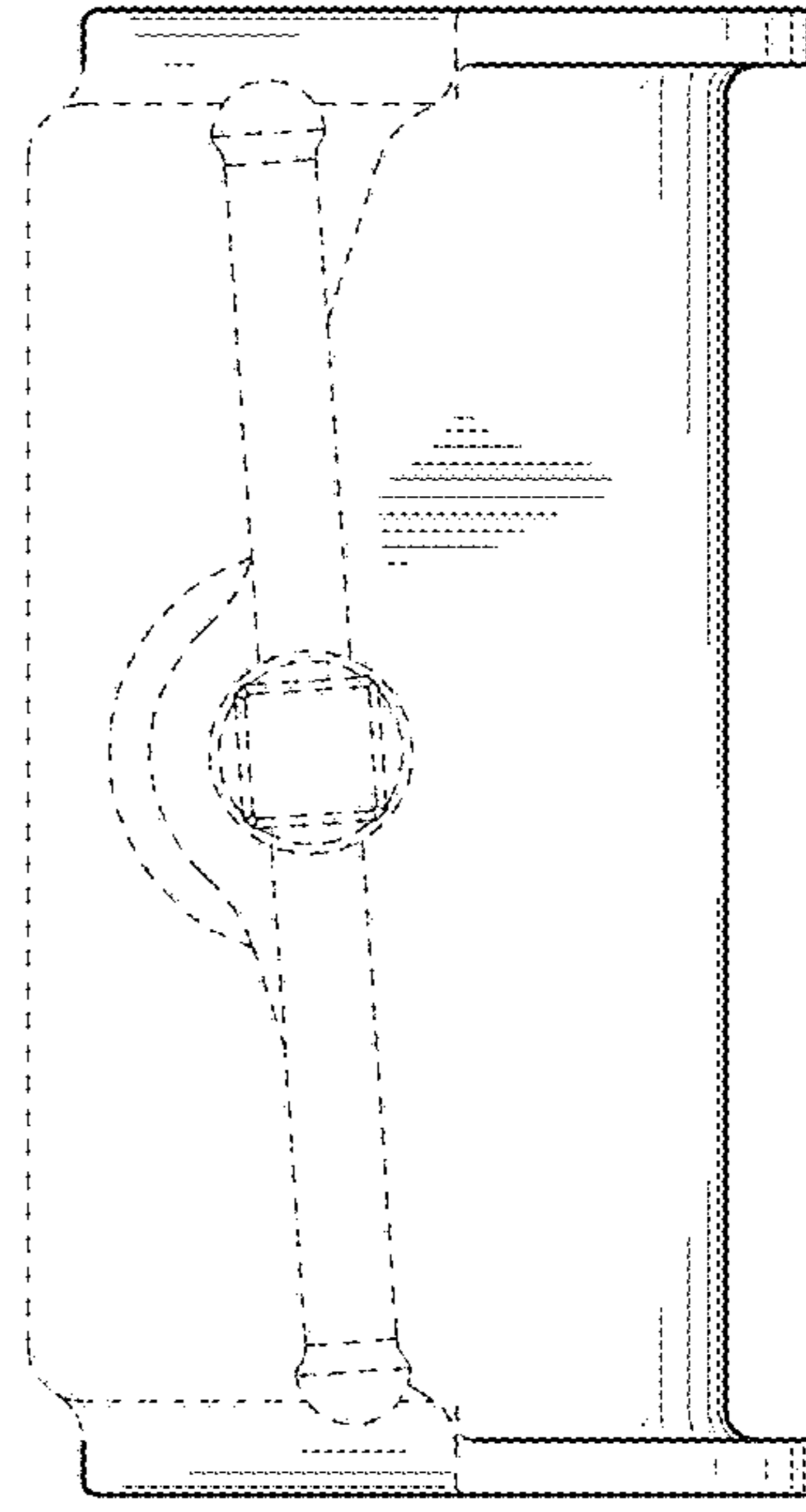


Fig. 8

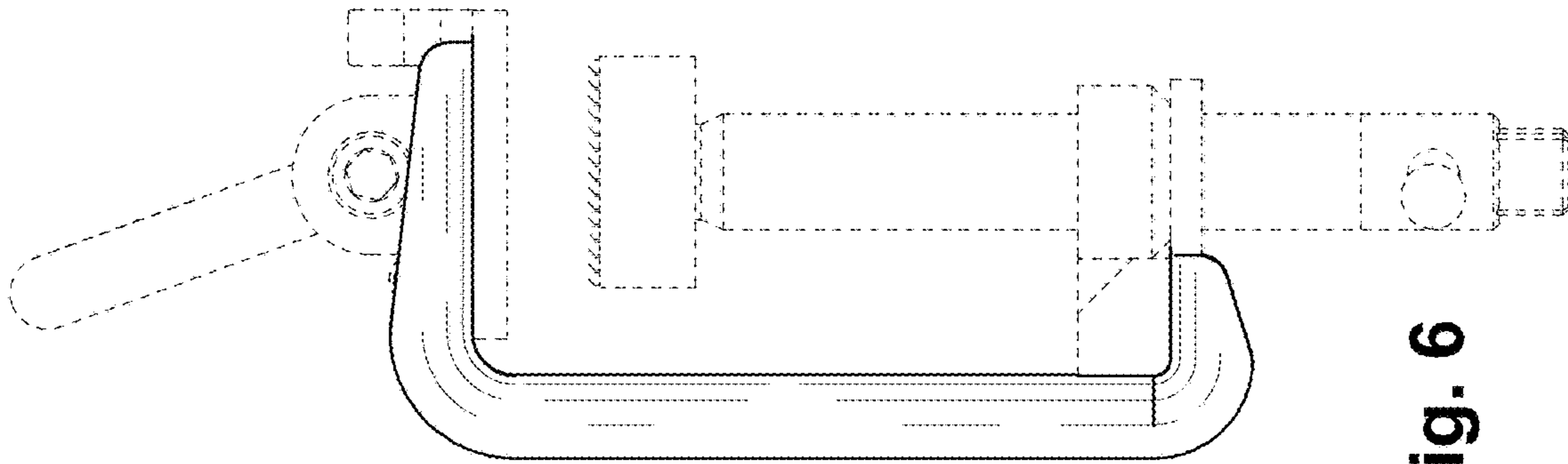


Fig. 6

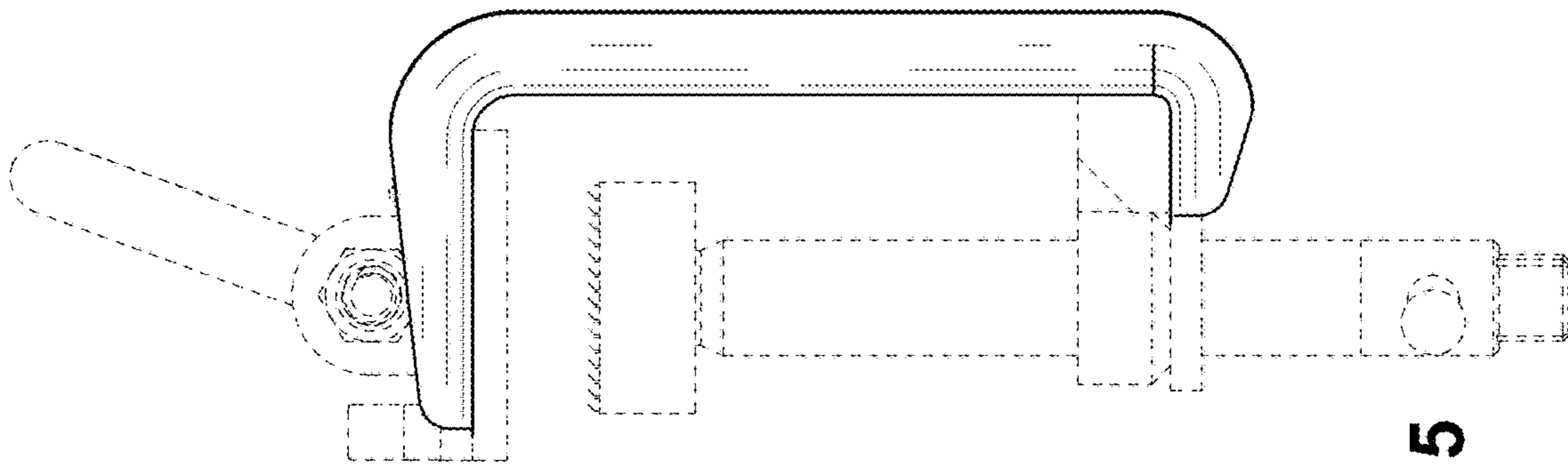


Fig. 5