



US00D832670S

(12) **United States Design Patent**
Uchiyama

(10) **Patent No.:** **US D832,670 S**
(45) **Date of Patent:** **** Nov. 6, 2018**

(54) **PORTABLE BATTERY OPERATED OIL HYDRAULIC TOOL**

(71) Applicant: **Izumi Products Company,**
Matsumoto-shi, Nagano (JP)

(72) Inventor: **Takeshi Uchiyama,** Matsumoto (JP)

(73) Assignee: **IZUMI PRODUCTS COMPANY,**
Matsumoto-Shi, Nagano (JP)

(**) Term: **15 Years**

(21) Appl. No.: **29/619,487**

(22) Filed: **Sep. 29, 2017**

(51) **LOC (11) Cl.** **08-03**

(52) **U.S. Cl.**
USPC **D8/61**

(58) **Field of Classification Search**
USPC D8/61, 62, 67, 69; 81/57, 57.11, 57.14,
81/57.26, 429, 464, 469; 173/2, 170,
173/176, 181
CPC B25B 27/10; B25B 27/146; B25B 7/12;
B25B 7/126; B25B 27/00; B25B 28/00;
H01R 43/0428
See application file for complete search history.

(56) **References Cited**

U.S. PATENT DOCUMENTS

D657,220	S	*	4/2012	Isobe	D8/61
D657,221	S	*	4/2012	Isobe	D8/61
D673,829	S	*	1/2013	Takeshima	D8/61
D696,090	S	*	12/2013	Takeshima	D8/61
D709,748	S	*	7/2014	Frenken	D8/61
D710,173	S	*	8/2014	Frenken	D8/61
D729,602	S	*	5/2015	Stucki	D8/61
D734,112	S	*	7/2015	Herault	D8/61

D767,959	S	*	10/2016	Sokat	D8/61
D774,858	S	*	12/2016	Stucki	D8/61
D779,902	S	*	2/2017	Sokat	D8/61
2004/0144146	A1	*	7/2004	Amherd	B21D 39/048 72/21.3
2010/0325894	A1	*	12/2010	Scott	B23D 21/00 30/92

* cited by examiner

Primary Examiner — Austin Murphy

(74) *Attorney, Agent, or Firm* — Birch, Stewart, Kolasch & Birch, LLP

(57) **CLAIM**

The ornamental design for a portable battery operated oil hydraulic tool, as shown and described.

DESCRIPTION

FIG. 1 is a front elevational view of a portable battery operated oil hydraulic tool showing my new design; FIG. 2 is a top plan view thereof; FIG. 3 is a rear elevational view thereof; FIG. 4 is a bottom plan view thereof; FIG. 5 is a left side elevational view thereof; FIG. 6 is a right side elevational view thereof; FIG. 7 is a front and top perspective view, showing the left side thereof; FIG. 8 is a front and top perspective view, showing the right side thereof; FIG. 9 is a front and bottom perspective view, showing the left side thereof; and, FIG. 10 is a front and bottom perspective view, showing the right side thereof. The broken lines in the drawings illustrate environmental structure of the portable battery operated oil hydraulic tool that form no part of the claimed design.

1 Claim, 4 Drawing Sheets

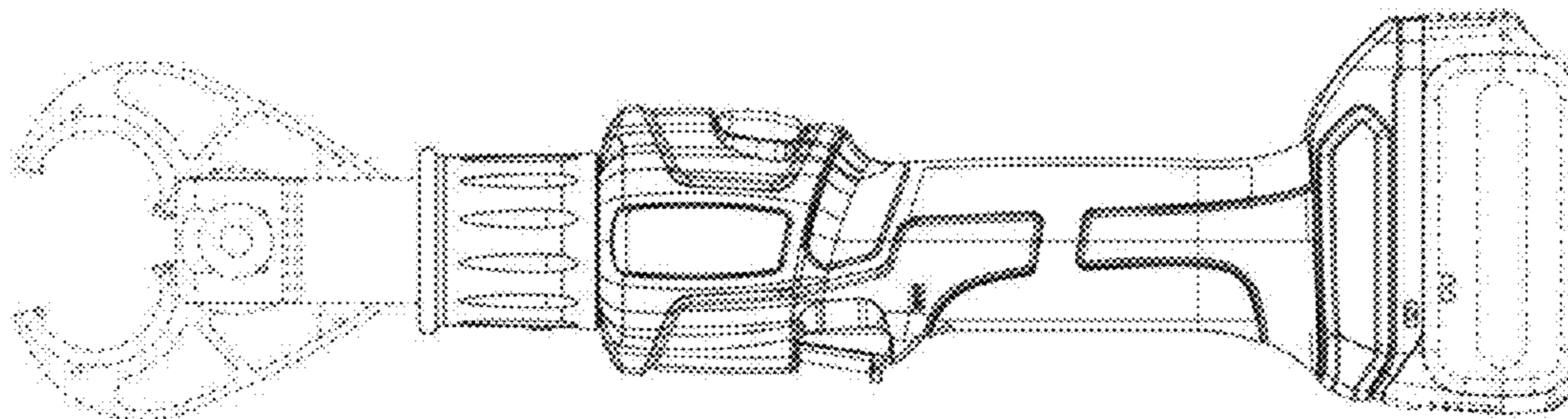


FIG. 1

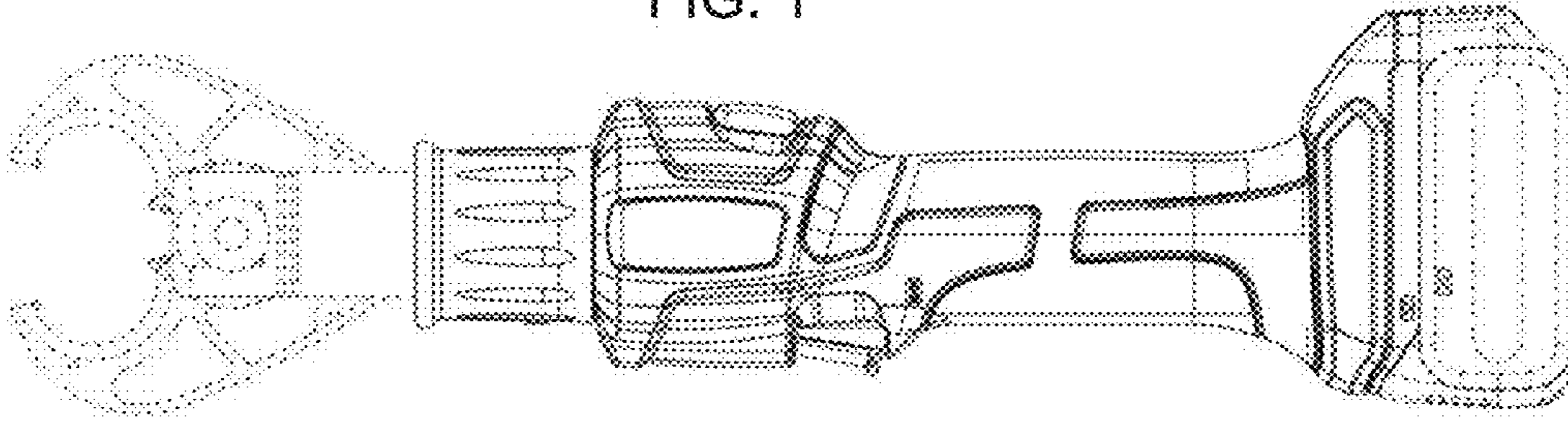


FIG. 2

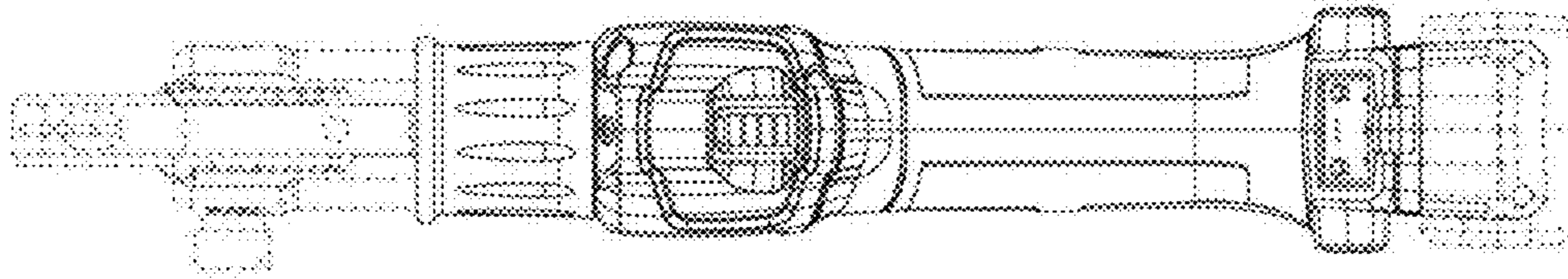


FIG. 3

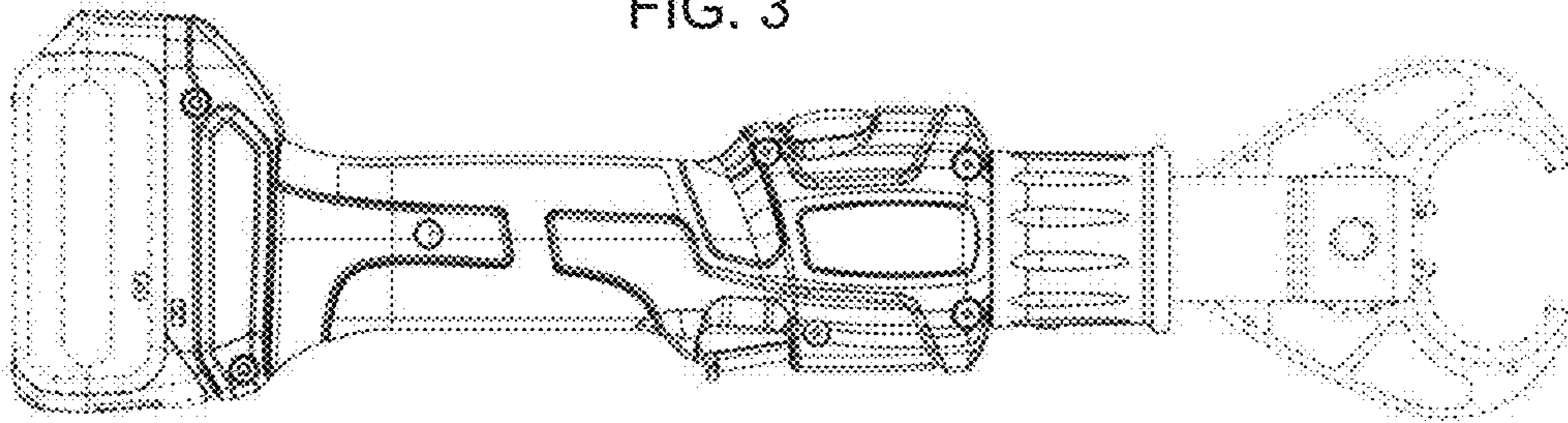


FIG. 4

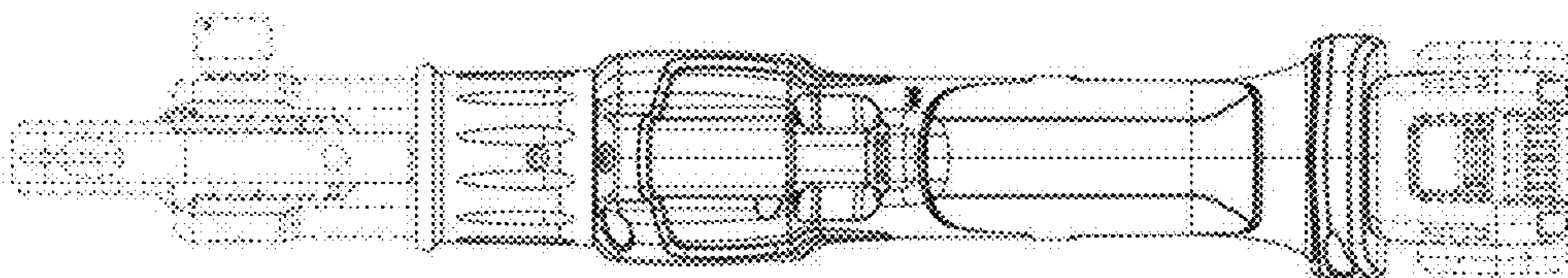


FIG. 5

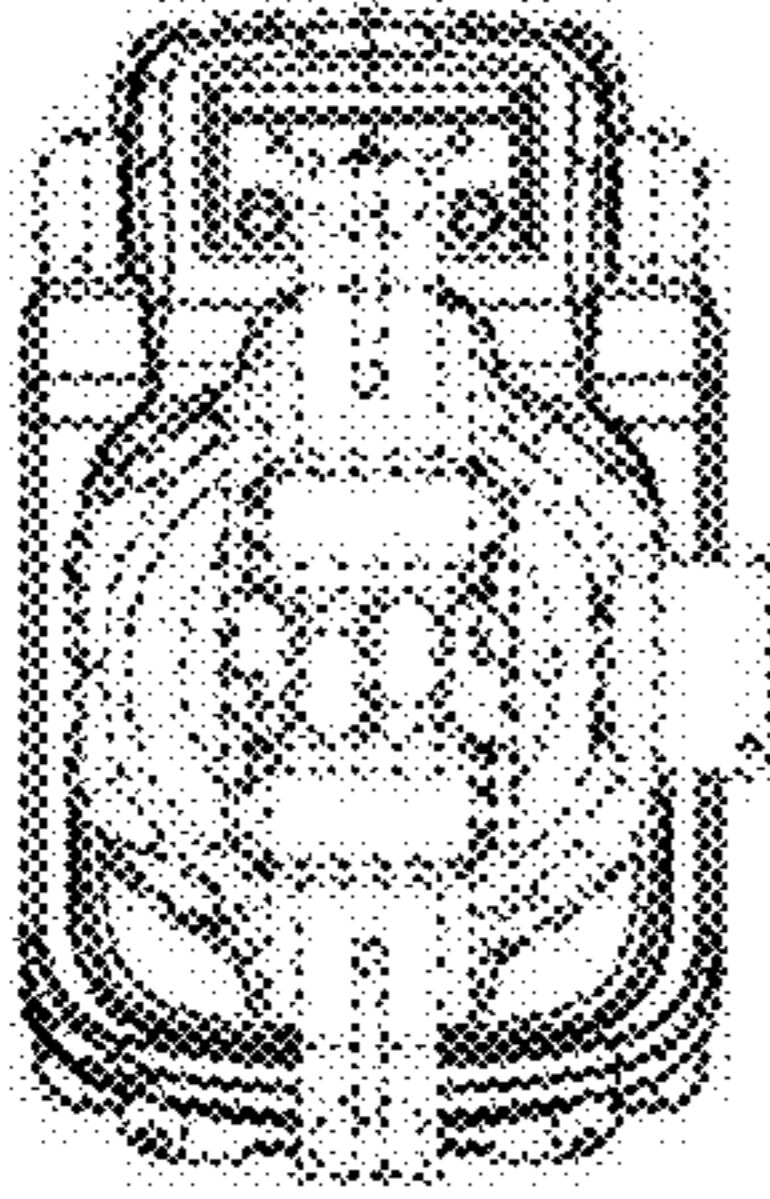


FIG. 6

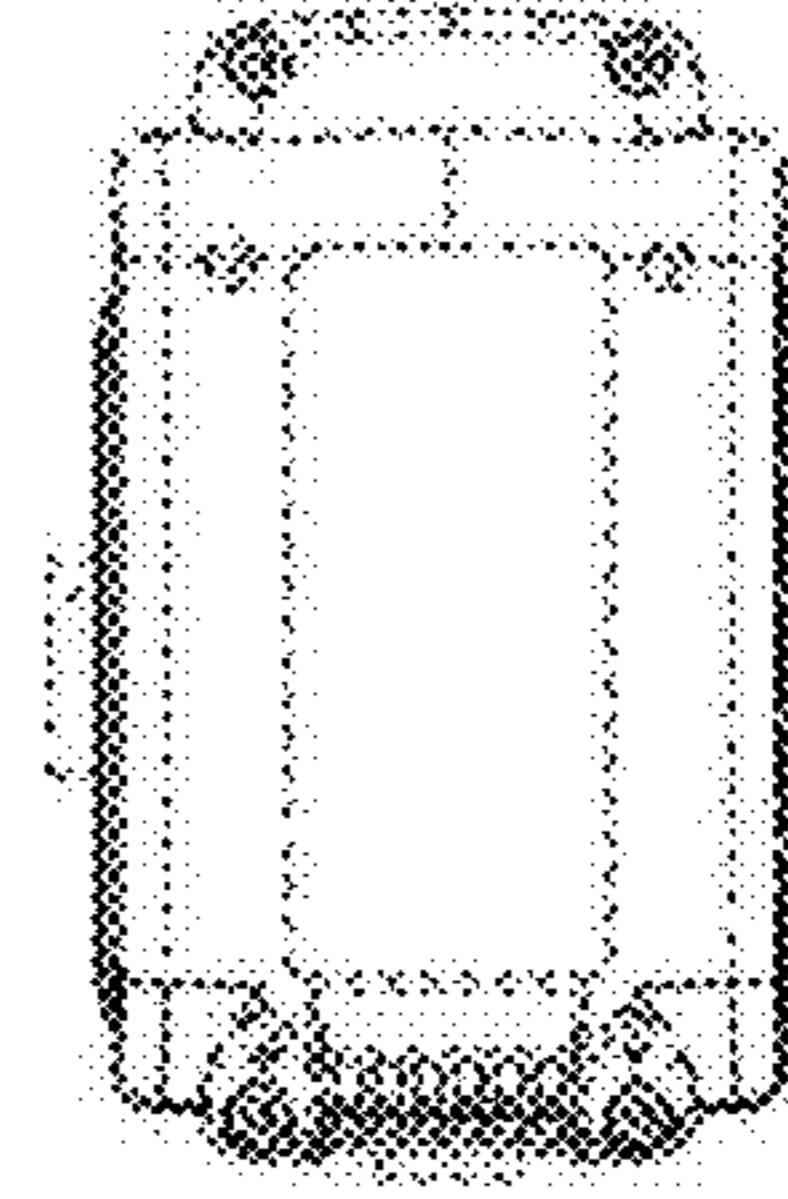


FIG. 7

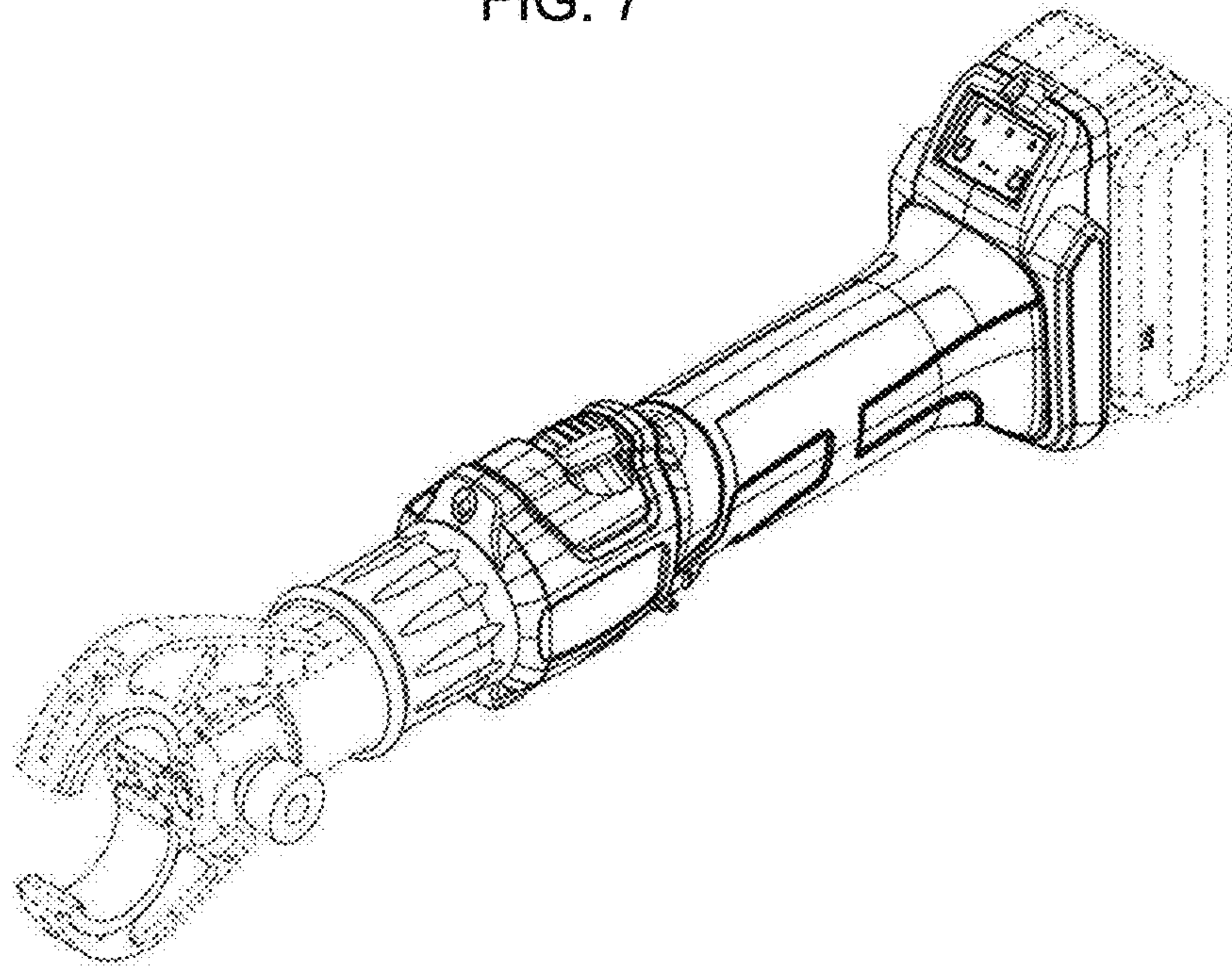


FIG. 8

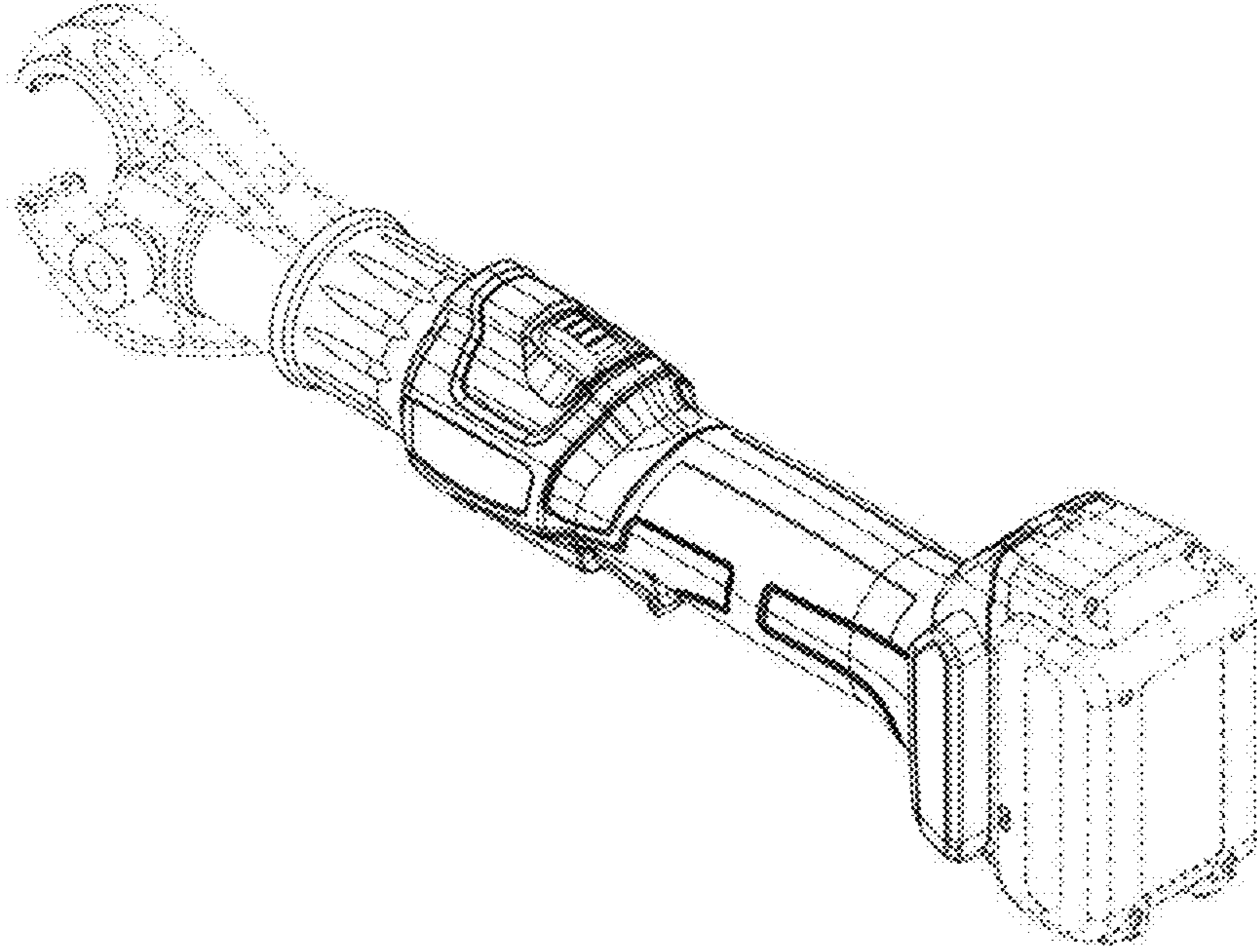


FIG. 9

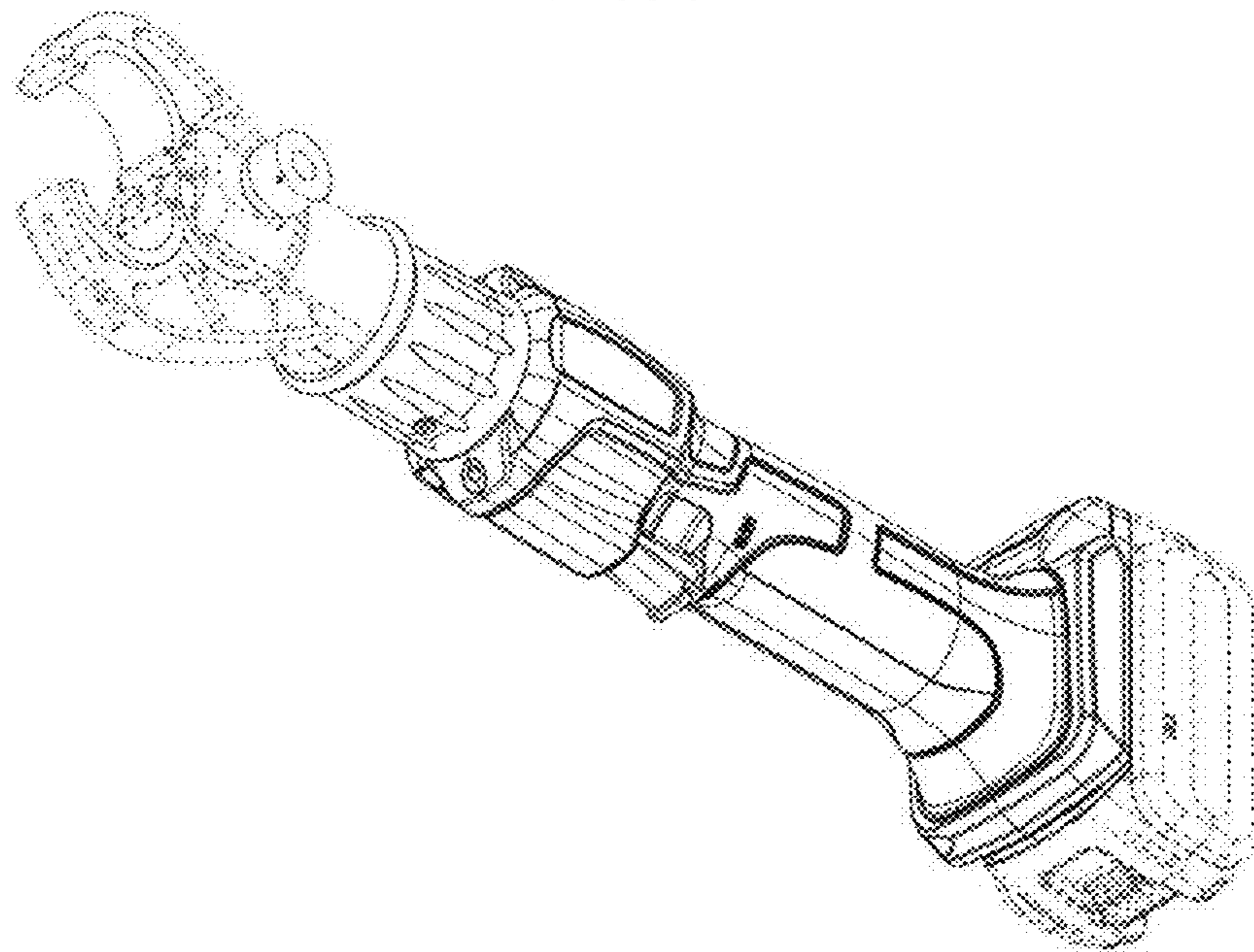


FIG. 10

