



US00D832669S

(12) **United States Design Patent** (10) **Patent No.:** **US D832,669 S**  
**Dretzka et al.** (45) **Date of Patent:** **\*\* Nov. 6, 2018**

(54) **HANDLE FOR LAWN AND GARDEN TOOL**

*Primary Examiner* — Austin Murphy

(71) Applicant: **THE TORO COMPANY**,  
Bloomington, MN (US)

(74) *Attorney, Agent, or Firm* — Muetting, Raasch &  
Gebhardt, P.A.

(72) Inventors: **Philip C. Dretzka**, Woodbury, MN  
(US); **David J. Martin**, Eden Prairie,  
MN (US); **Ryan J. Sweere**,  
Minneapolis, MN (US); **Tyler E.**  
**Peterson**, Lindstrom, MN (US)

(57) **CLAIM**

The ornamental design for a handle for lawn and garden tool, as shown and described.

(73) Assignee: **THE TORO COMPANY**,  
Bloomington, MN (US)

**DESCRIPTION**

(\*\*) Term: **15 Years**

FIG. 1 is a top left perspective view of a handle for lawn and garden tool in accordance with the claimed design; FIG. 2 is a bottom right perspective view of the design of FIG. 1; FIG. 3 is a top plan view of the design of FIG. 1; FIG. 4 is a bottom plan view of the design of FIG. 1; FIG. 5 is a right side elevation view of the design of FIG. 1; FIG. 6 is a left side elevation view of the design of FIG. 1; FIG. 7 is a rear elevation view of the design of FIG. 1; and, FIG. 8 is a front elevation view of the design of FIG. 1.

(21) Appl. No.: **29/601,668**

(22) Filed: **Apr. 25, 2017**

(51) **LOC (11) Cl.** ..... **08-01**

(52) **U.S. Cl.**  
USPC ..... **D8/61; D8/8**

(58) **Field of Classification Search**  
USPC ..... D8/61, 62, 67, 69, 6, 7, 8, 9; 81/57,  
81/57.11, 57.14, 57.26, 429, 464, 469;  
173/2, 170, 176, 181

(Continued)

The dash-dash broken lines in the figures (e.g., including portions depicting unclaimed parts of the lawn and garden tool, the attached battery, and the longitudinal seam lines) represent environment and form no part of the claimed design.

(56) **References Cited**

The dot-dash broken lines in the figures immediately adjacent the solid lines (and inside the circular tube in FIG. 8) represent a boundary between claimed and unclaimed subject matter and form no part of the claimed design.

**U.S. PATENT DOCUMENTS**

D335,674 S 5/1993 Hoshino  
D356,014 S 3/1995 Griffin

(Continued)

The labels used herein to describe orientation (e.g., top, bottom, left, right) are merely for reference and are not intended to limit the interpretation of the design.

**FOREIGN PATENT DOCUMENTS**

CN 203185309 U 11/2013

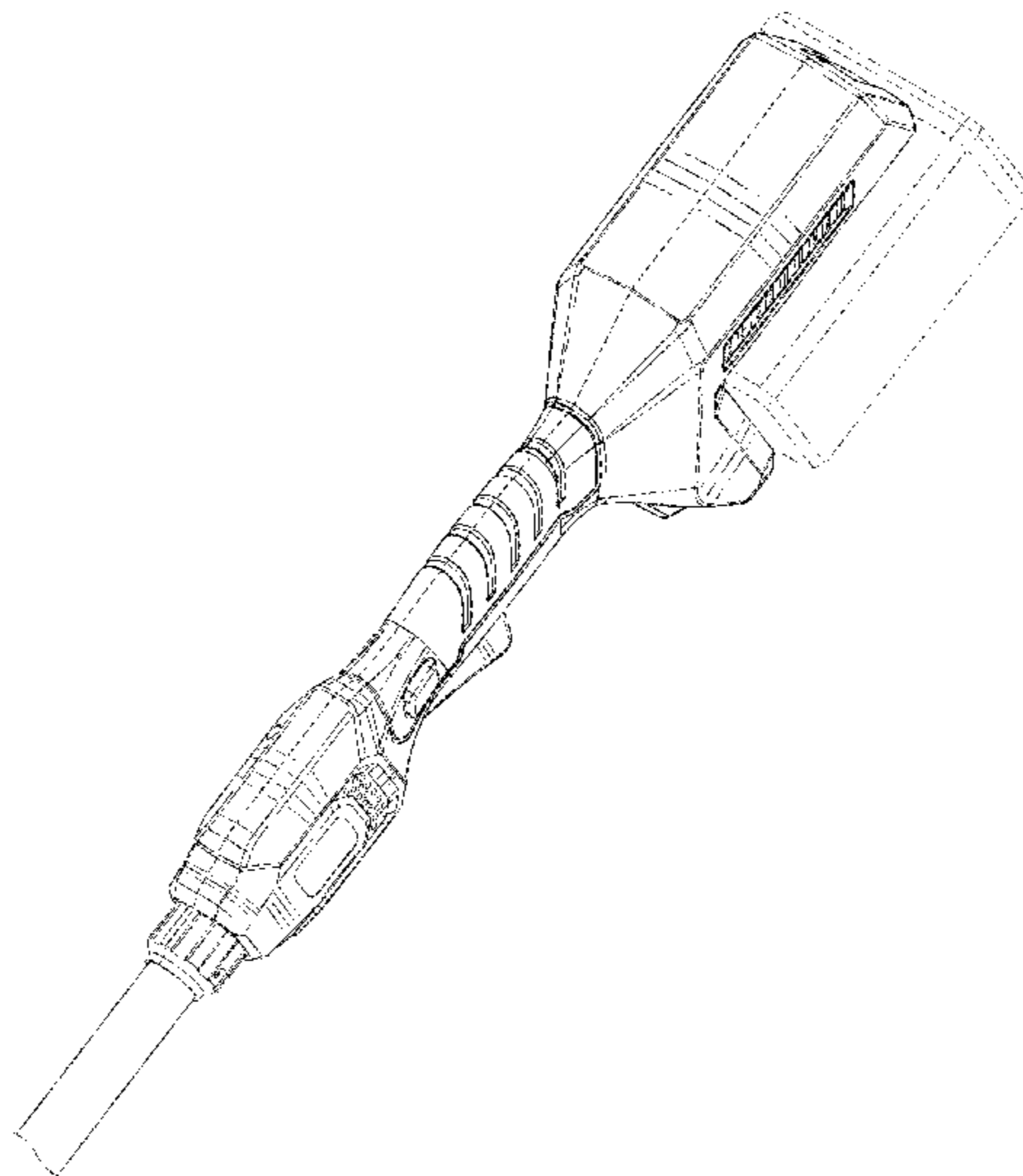
Applicant reserves the right to convert: a portion or portions of any of the broken lines to solid lines such that the features described by those lines then form a part of the claimed design; and/or a portion or portions of any of the solid lines to broken lines such that the features described by those lines no longer form part of the claimed design.

**OTHER PUBLICATIONS**

U.S. Appl. No. 29/592,487, filed Jan. 31, 2017, The Toro Co.

(Continued)

**1 Claim, 7 Drawing Sheets**



- (58) **Field of Classification Search**  
 CPC ..... B25B 21/02; B25B 21/008; B25B 23/16;  
 B25B 23/1405; A61B 17/1615  
 See application file for complete search history.

(56) **References Cited**

U.S. PATENT DOCUMENTS

6,484,361	B1	11/2002	Schmid et al.	
D547,143	S	7/2007	Evans et al.	
8,098,036	B2	1/2012	Matsunaga et al.	
D656,371	S	3/2012	Sweeney	
D675,074	S	1/2013	Baxter	
D689,754	S *	9/2013	Hayakawa	D8/61
8,549,758	B2	10/2013	Ito et al.	
D701,440	S *	3/2014	Naksen	D8/61
D702,630	S	4/2014	Tinius	
D709,747	S *	7/2014	Okouchi	D8/61
D716,124	S *	10/2014	Kamijyo	D8/61
D722,853	S *	2/2015	Takahashi	D8/61
D728,337	S *	5/2015	Henssler	D8/61
D731,268	S	6/2015	Aglassinger	
D743,224	S *	11/2015	Yashcur	D8/61
9,314,914	B2	4/2016	Suda et al.	
D755,032	S *	5/2016	Martinez	D8/61
D758,150	S	6/2016	Tinius	
D758,151	S	6/2016	Tinius	
D767,960	S *	10/2016	Haneishi	D8/61
D768,452	S *	10/2016	Padget	D8/61
9,472,992	B2	10/2016	Shaffer	
D774,858	S *	12/2016	Stucki	D8/61
D774,859	S *	12/2016	Stucki	D8/61
D776,501	S *	1/2017	Tinius	D8/8
D787,285	S	5/2017	Schoch	
D794,407	S *	8/2017	Markwald	D8/61
D798,679	S	10/2017	Tinius	
2011/0241457	A1	10/2011	Muller et al.	
2012/0227270	A1	9/2012	Ito et al.	
2014/0208597	A1	7/2014	Zhou et al.	
2016/0336557	A1	11/2016	Miller et al.	

OTHER PUBLICATIONS

U.S. Appl. No. 29/601,674, filed Apr. 25, 2017, The Toro Co.  
 U.S. Appl. No. 29/601,676, filed Apr. 25, 2017, The Toro Co.  
 U.S. Appl. No. 29/601,679, filed Apr. 25, 2017, The Toro Co.  
 Toro “17 in. String Trimmer—Curved Shaft; Item No. 51958—  
 317000001 & Up” and “18 in. String Trimmer—Straight Shaft; Item

No. 51978—317000001 & Up; Item No. 51978A—317000001 & Up,” Operator’s Manual. Form No. 3411-851 Rev. A, The Toro Company, Oct. 31, 2016; 26 pages.  
 Toro “17 in. String Trimmer—Curved Shaft; Item No. 51954—  
 310000001 & Up” and “18 in. String Trimmer—Straight Shaft; Item  
 No. 51974—310000001 & Up,” Operator’s Manual. Form No.  
 3365-102 Rev. A, The Toro Company, Jan. 20, 2010; 28 pages.  
 Toro “13in Cordless Trimmer, Model No. 51488—Serial No. 314000001  
 and Up and Model 51488T—Serial No. 314000001 and Up,”  
 Operator’s Manual. Form No. 3379-441 Rev G, The Toro Company,  
 Copyright 2014; 16 pages.  
 Toro “12in Cordless Trimmer, Model No. 51487A—Serial No.  
 315000001 and Up, Model No. 51487AT—Serial No. 315000001  
 and Up,” Operator’s Manual. Form No. 3388-261 Rev B, The Toro  
 Company, Copyright 2014; 56 pages.  
 Ryobi “Operator’s Manual, 40 Volt String Trimmer, RY40204,”  
 Rev:01, Techtronic Industries Power Equipment, 2016; 38 pages.  
 Greenworks “40V Brushless String Trimmer 2100202,” Rev: 00,  
 Greenworks, 2014; 22 pages.  
 Milwaukee “Operator’s Manual, M18 Fuel String Trimmer.” Cat.  
 No. 2725-20. Milwaukee Tool, 2016; 20 pages.  
 Toro PowerPlex 51481 40V Cordless String Trimmer Edger, posted  
 at amazon.com, posting date Jul. 9, 2017, [online], [site visited Apr.  
 10, 2018]. Retrieved from the Internet: <URL: <https://www.amazon.com/Toro-PowerPlex-51481-Cordless-Included/dp/B06WV9WXQ/>; (Year: 2017); 11 pages.  
 Toro PowerPlex 51482 Brushless Cordless String Trimmer, posted  
 at amazon.com, posting date Jul. 6, 2017, [online], [site visited Apr.  
 10, 2018]. Retrieved from the Internet <URL: <https://www.amazon.com/Toro-PowerPlex-51482-Brushless-Cordless/dp/B06X8YWZ5H/>; (Year: 2017); 10 pages.  
 Shop Kobalt 80-volt Brushless Cordless String Trimmer, posted at  
 lowes.com, posting date not given, [online], [site visited Apr. 10,  
 2018]. Retrieved from the Internet <URL: <https://www.lowes.com/pd/Kobalt-80-volt-Max-16-in-Straight-Brushless-Cordless-String-Trim-Battery-Not-Included/50430332>>; (Year: 2018); 8 pages.  
 Ryobi 40-Volt Cordless String Trimmer, posted at homedepot.com,  
 no posting given, [online], [site visited Apr. 10, 2018]. Available  
 from Internet <URL: <https://www.homedepot.com/p/Ryobi-40-Volt-Lithium-Ion-Cordless-Attachment-Capable-String-Trimmer-2-6-Ah-Battery-and-Charger-Included-RY40220/204589659>>; (Year: 2018);  
 8 pages.  
 Notice of Allowance recieved in U.S. Appl. No. 29/592,487 dated  
 May 11, 2018, including PTO-892. 9 pages.

\* cited by examiner

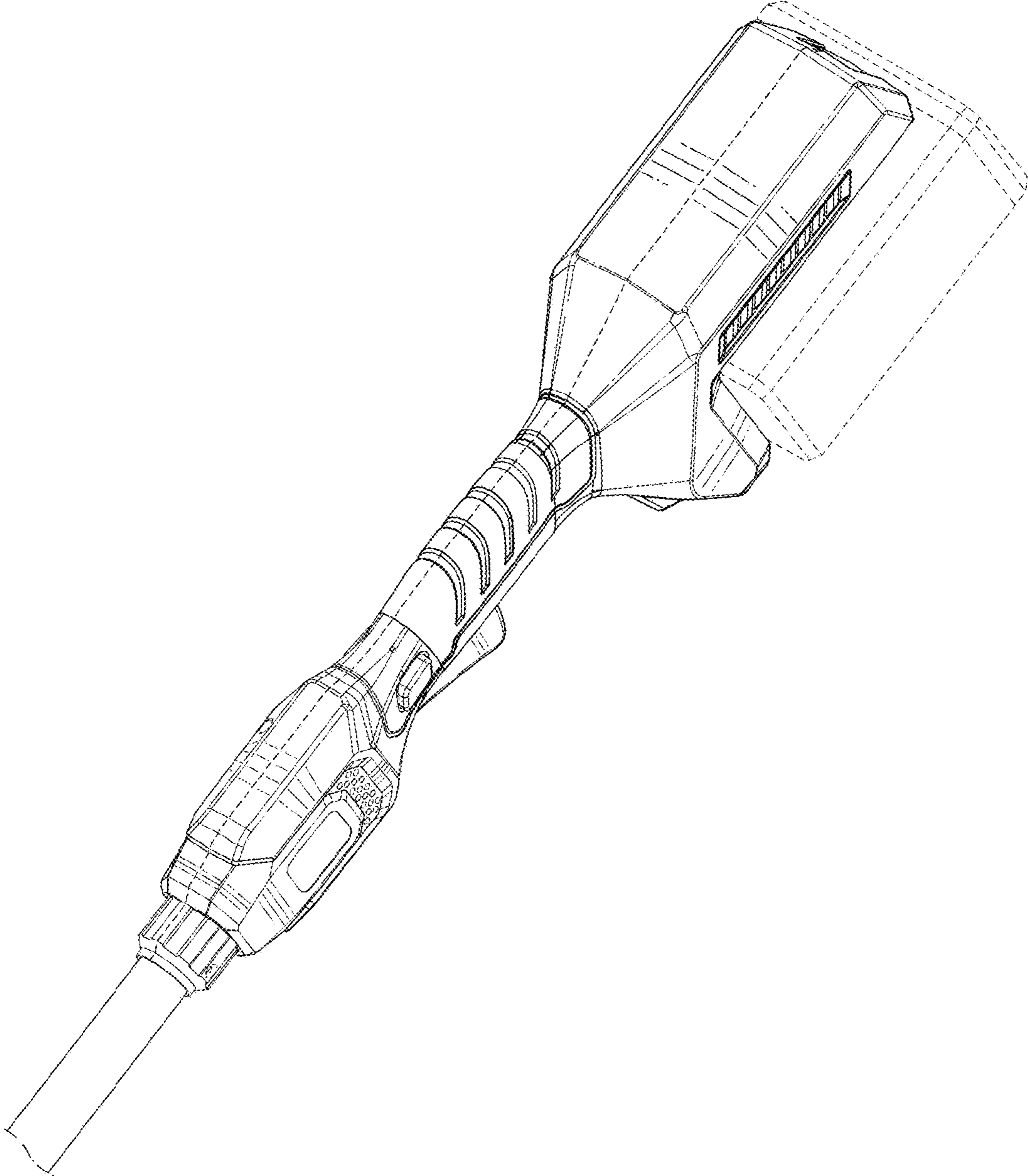


FIG. 1

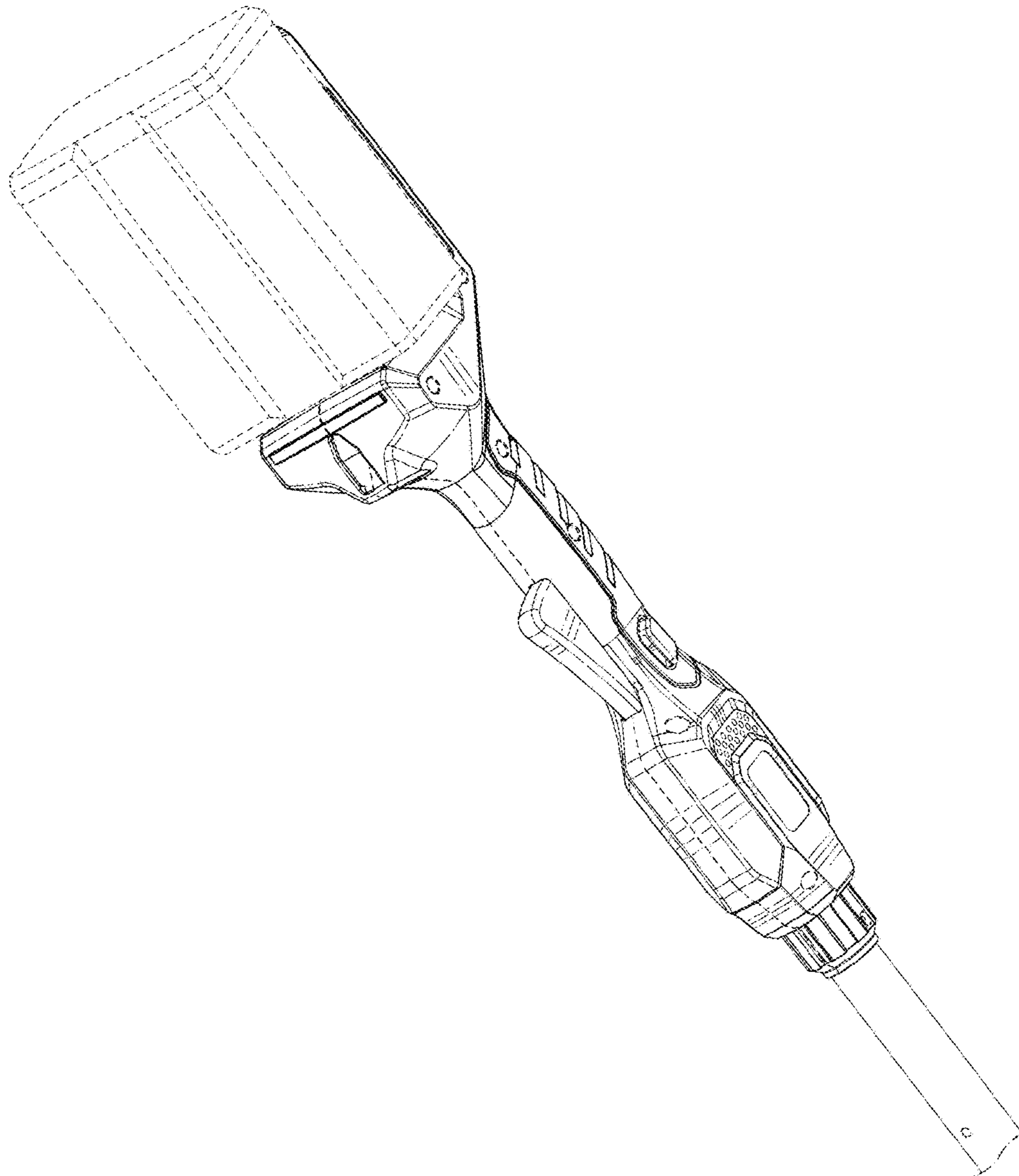


FIG. 2

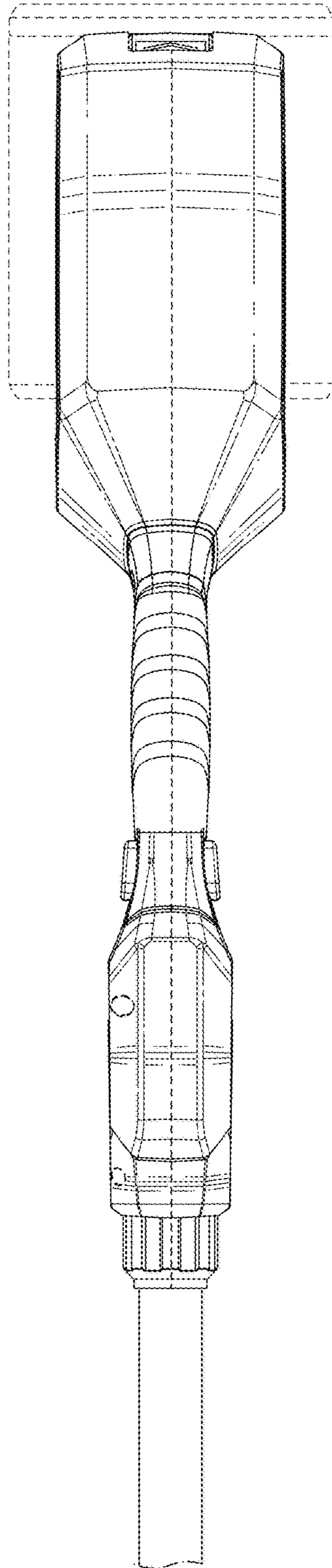


FIG. 3

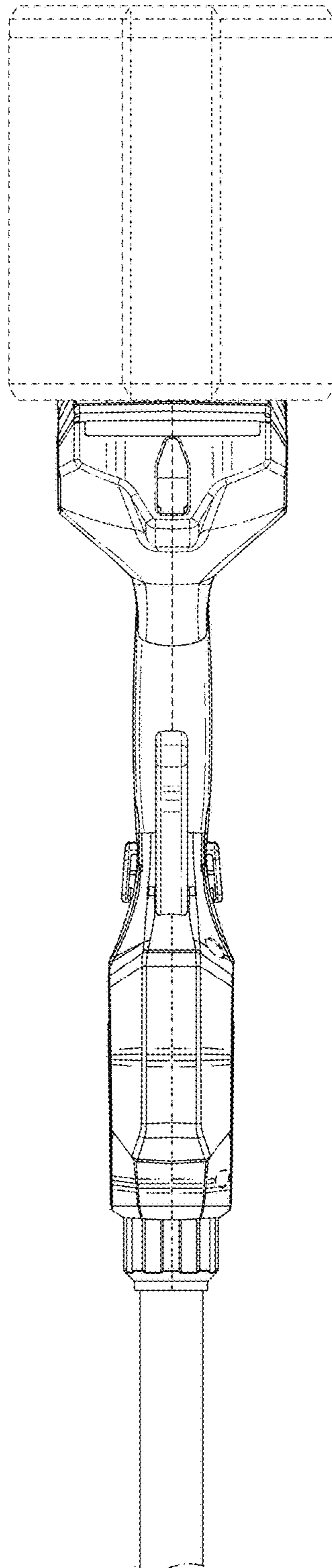


FIG. 4

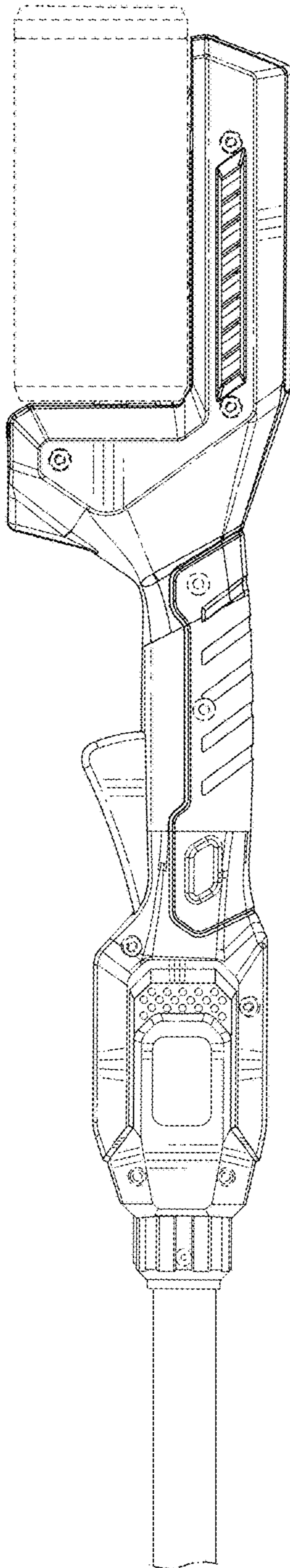


FIG. 5

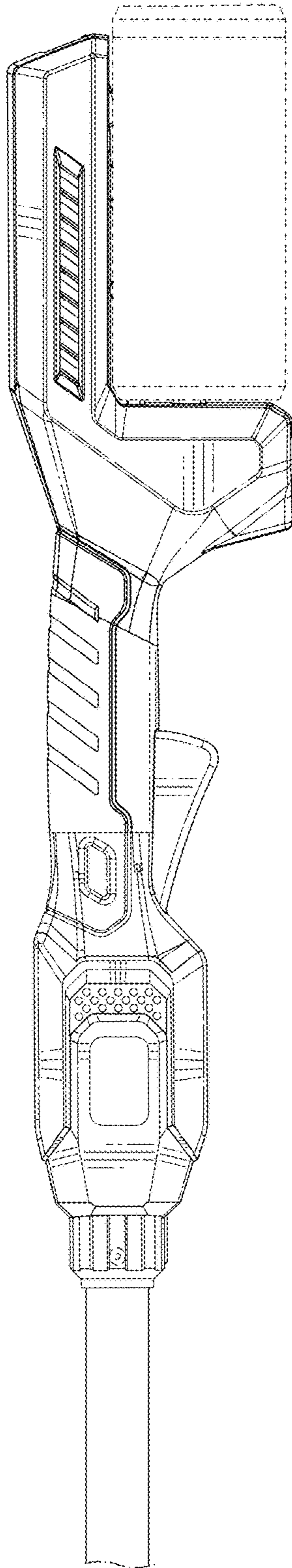


FIG. 6



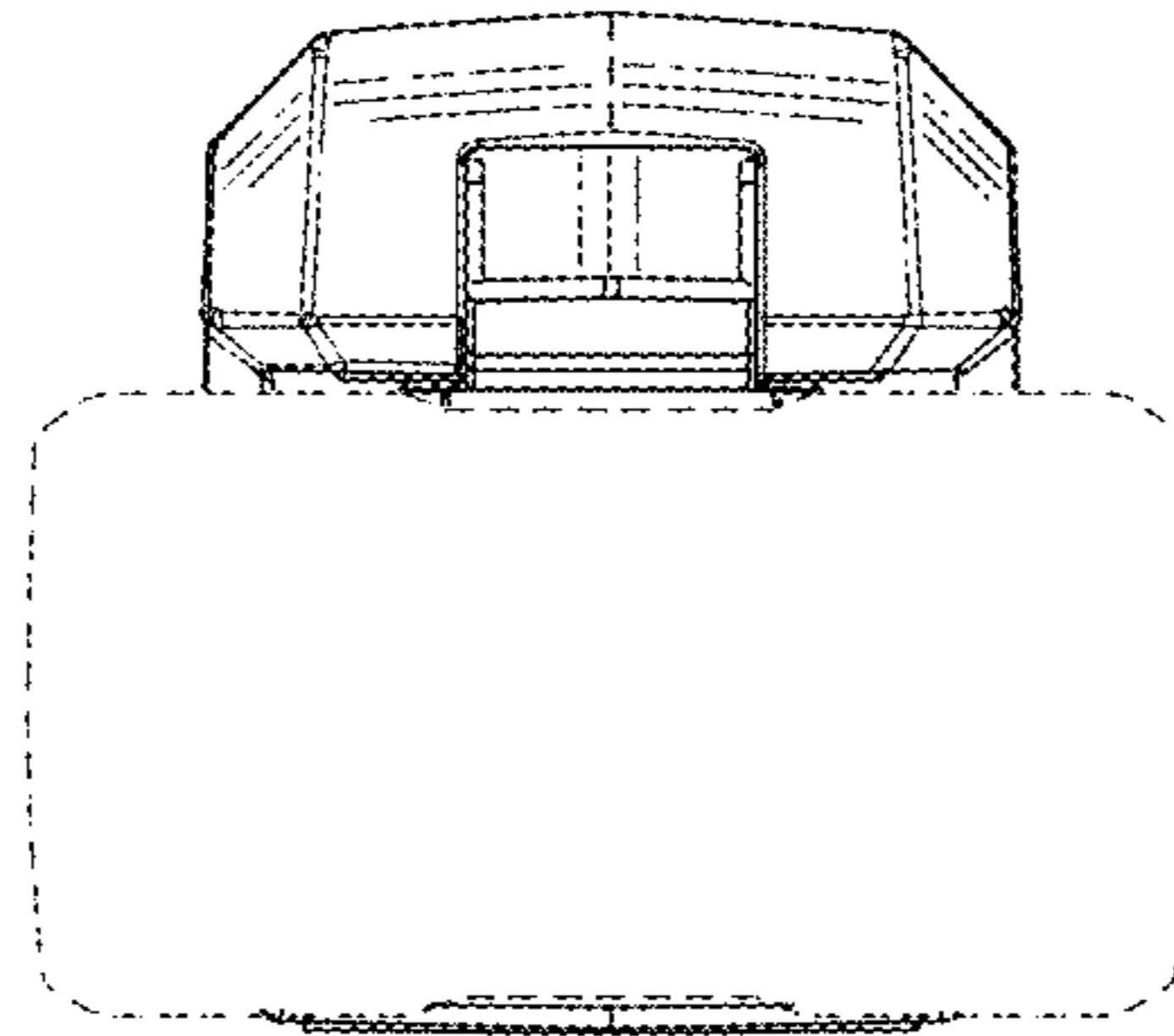


FIG. 7

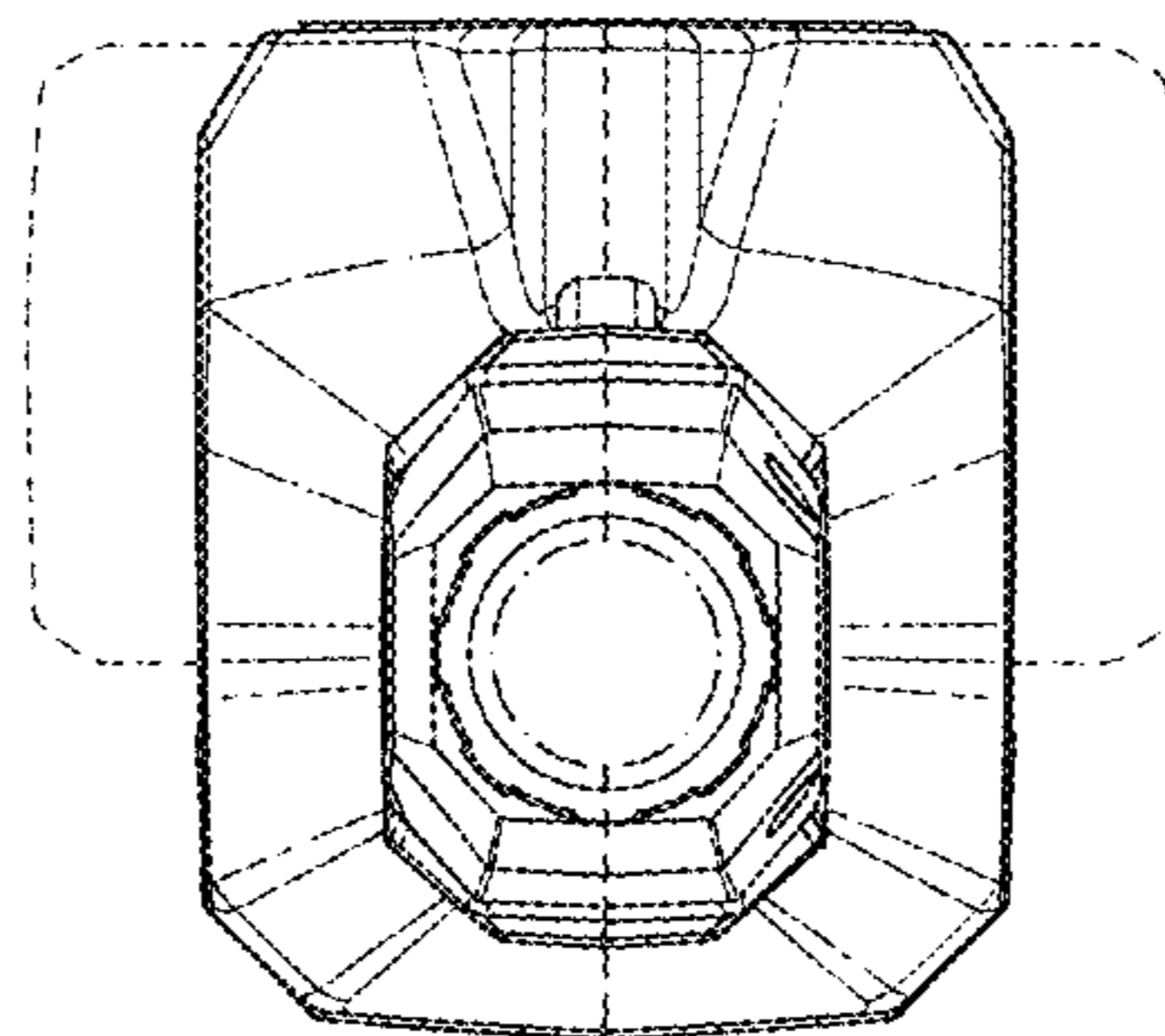


FIG. 8