

US00D832668S

(12) **United States Design Patent** (10) **Patent No.:** **US D832,668 S**
Ramping (45) **Date of Patent:** **** Nov. 6, 2018**

(54) **PLASTERING TOOL**
(71) Applicant: **SCOTT CUTTERS LIMITED**,
Marlow, Buckinghamshire (GB)
(72) Inventor: **Scott Ramping**, Marlow (GB)
(73) Assignee: **SCOTT CUTTERS LIMITED**,
Marlow, Buckingham (GB)
(**) Term: **15 Years**
(21) Appl. No.: **29/590,820**
(22) Filed: **Jan. 13, 2017**
(30) **Foreign Application Priority Data**

Jul. 14, 2016 (EM) 0033306075-0003

(51) **LOC (11) Cl.** **08-02**
(52) **U.S. Cl.**
USPC **D8/45**
(58) **Field of Classification Search**
USPC D8/14, 45; D32/40, 46, 48, 49; D7/688;
15/236.01, 236.02, 245, 245.1; D28/7;
D25/48.2, 119
CPC B05C 17/10; E04F 21/06; E04F 21/162;
E04F 21/163; E04F 21/165
See application file for complete search history.

(56) **References Cited**
U.S. PATENT DOCUMENTS

D169,837 S * 6/1953 Blander D32/46
D214,085 S * 5/1969 Fremdling D25/122
3,676,888 A * 7/1972 Akers B44D 3/105
15/144.1
D280,247 S * 8/1985 Jones D32/41
D298,300 S 11/1988 Leray

D352,432 S * 11/1994 Monroe D32/41
D450,412 S * 11/2001 Hajduk D32/41
D528,897 S 9/2006 Wang
D534,775 S 1/2007 Wang
D569,566 S * 5/2008 Pfitzinger D32/46
D664,318 S * 7/2012 Thompson D32/46
D719,427 S * 12/2014 Hernandez D8/45
D735,545 S * 8/2015 Rampling D8/45
9,095,971 B1 * 8/2015 Douglas A47J 45/10
D752,401 S * 3/2016 De La Cruz D7/688
D755,997 S * 5/2016 Frey D25/139
D763,645 S * 8/2016 Rampling D8/45
2014/0123425 A1 5/2014 Lee et al.
2015/0225967 A1 8/2015 Rampling

* cited by examiner

Primary Examiner — Philip S Hyder
(74) *Attorney, Agent, or Firm* — Andrew W. Chu; Craft
Chu PLLC

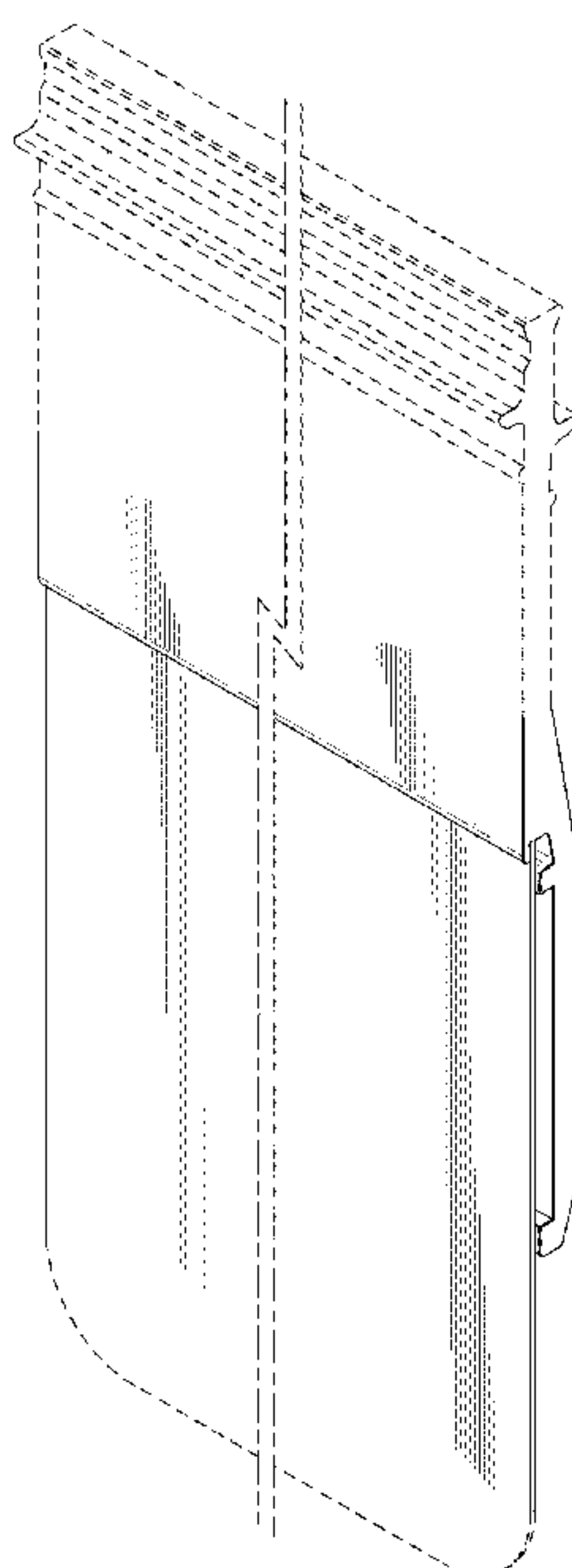
(57) **CLAIM**

The ornamental design for a plastering tool, as shown and described.

DESCRIPTION

FIG. 1 is a front perspective view of the plastering tool showing my design.
FIG. 2 is a back perspective view thereof;
FIG. 3 is a front elevation view thereof;
FIG. 4 is a back elevation view thereof;
FIG. 5 is a side elevation view thereof, an opposite side elevation view being a mirror image thereof;
FIG. 6 is a top plan view thereof; and,
FIG. 7 is a bottom plan view thereof.
The second set of broken lines in the regularly dashed pattern depict portions of the plastering tool that are not considered part of the claimed design.

1 Claim, 7 Drawing Sheets



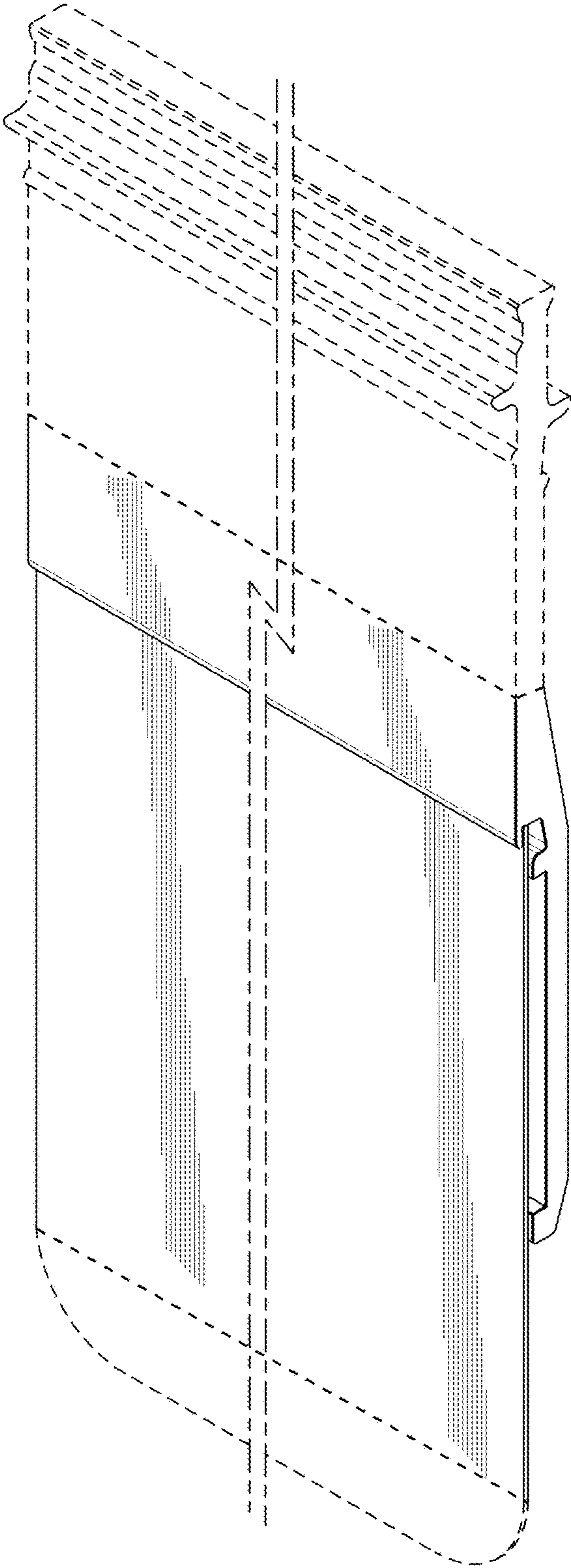


FIG. 1

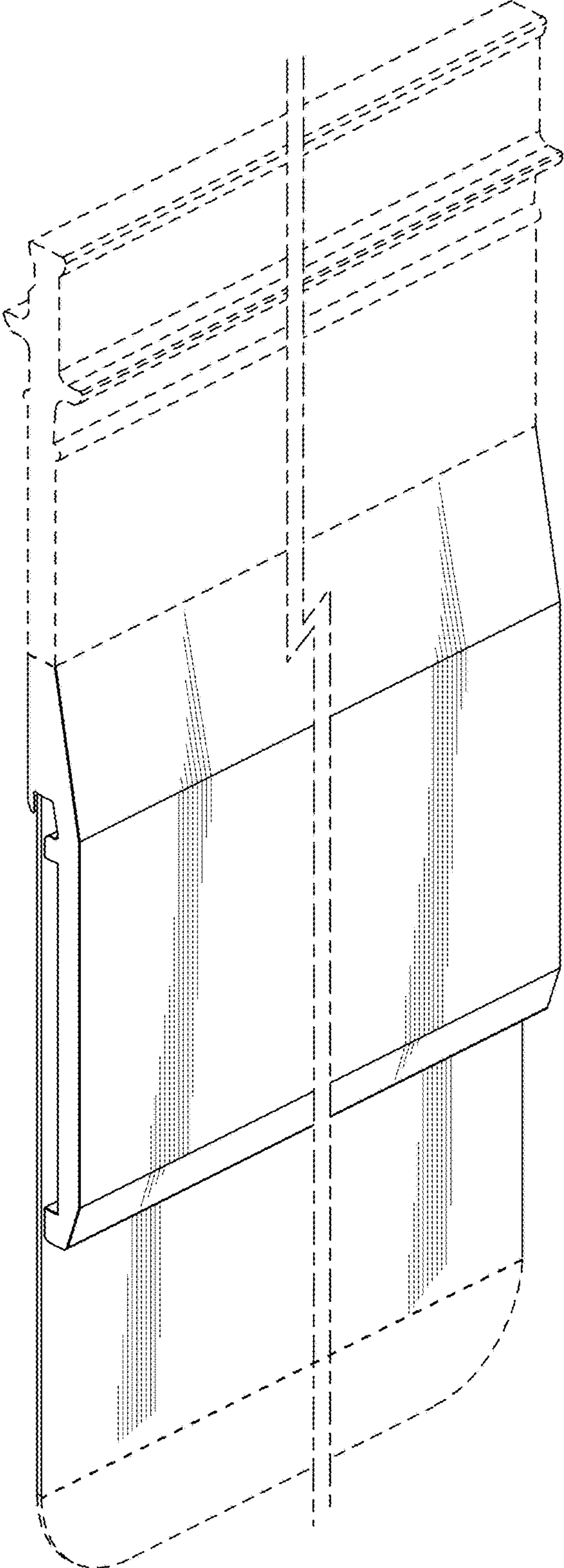


FIG. 2

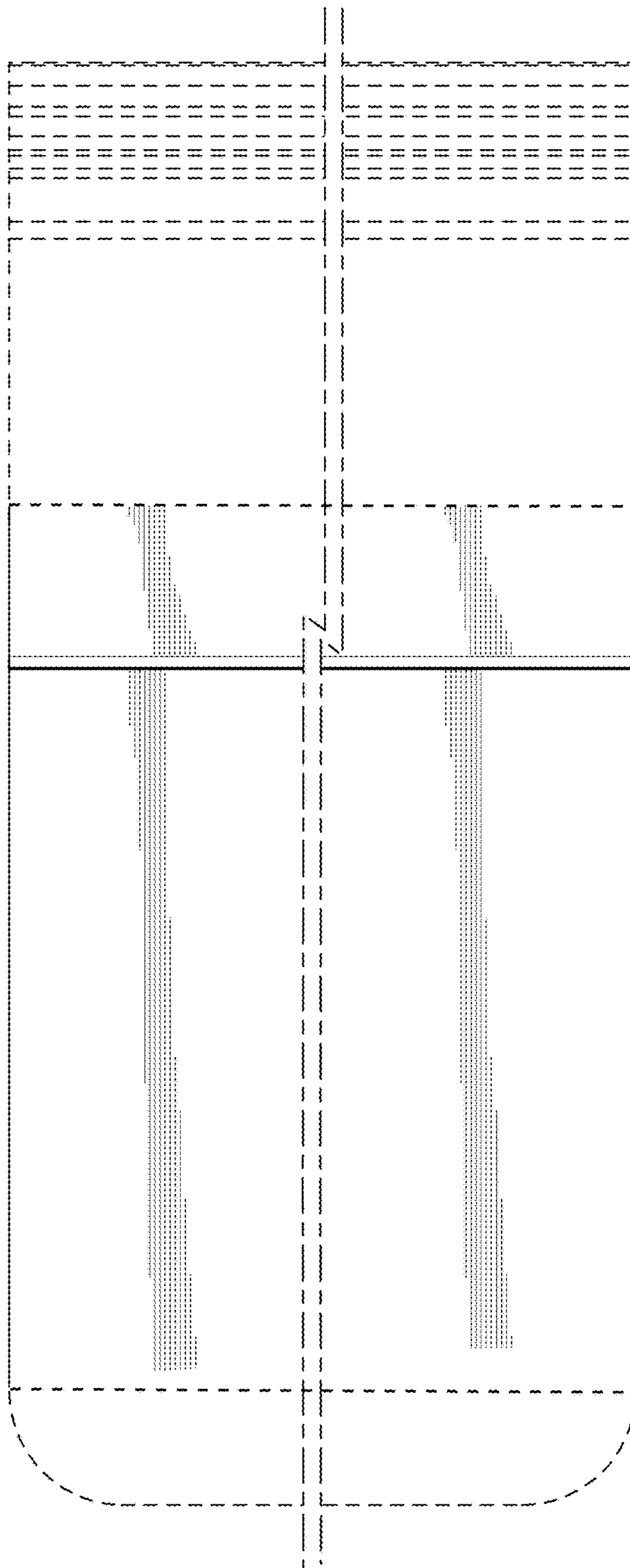


FIG. 3

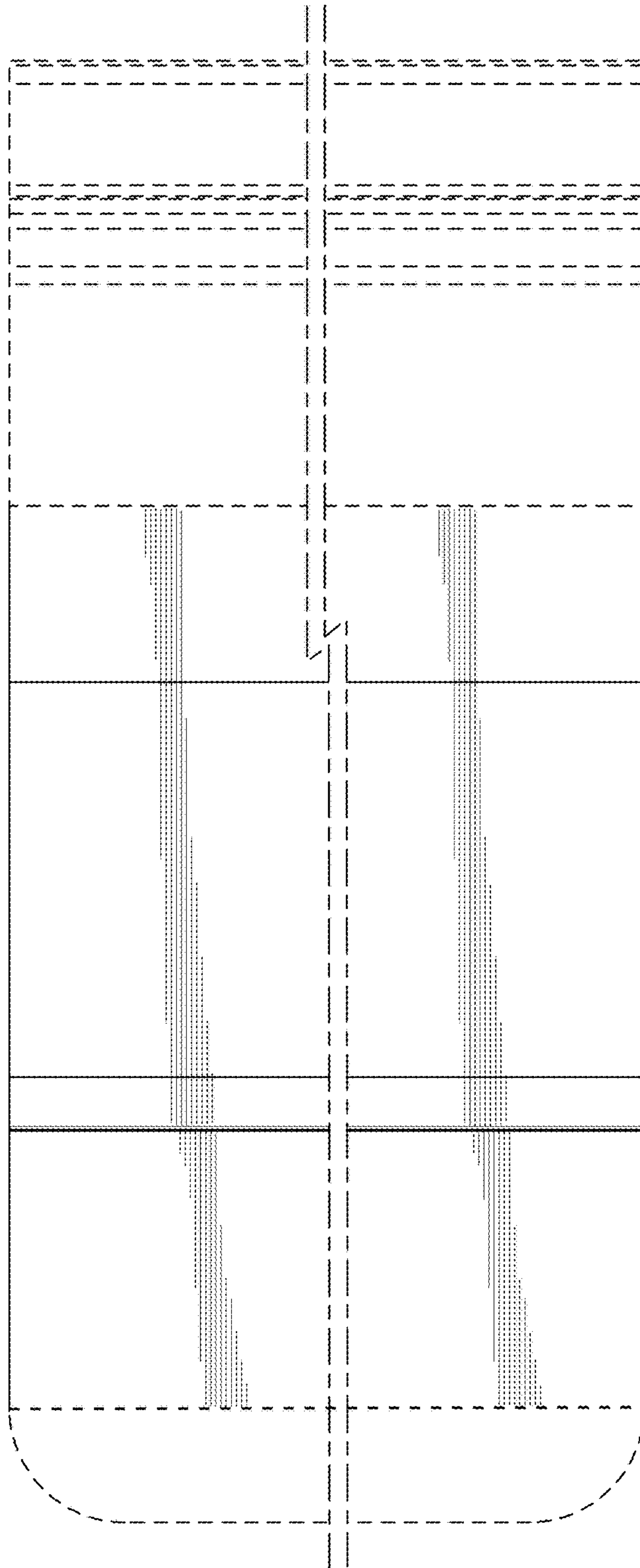


FIG. 4

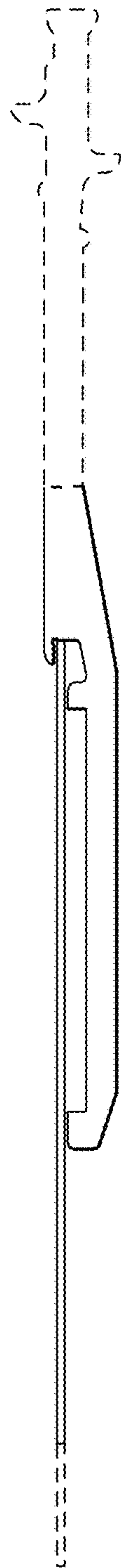


FIG. 5

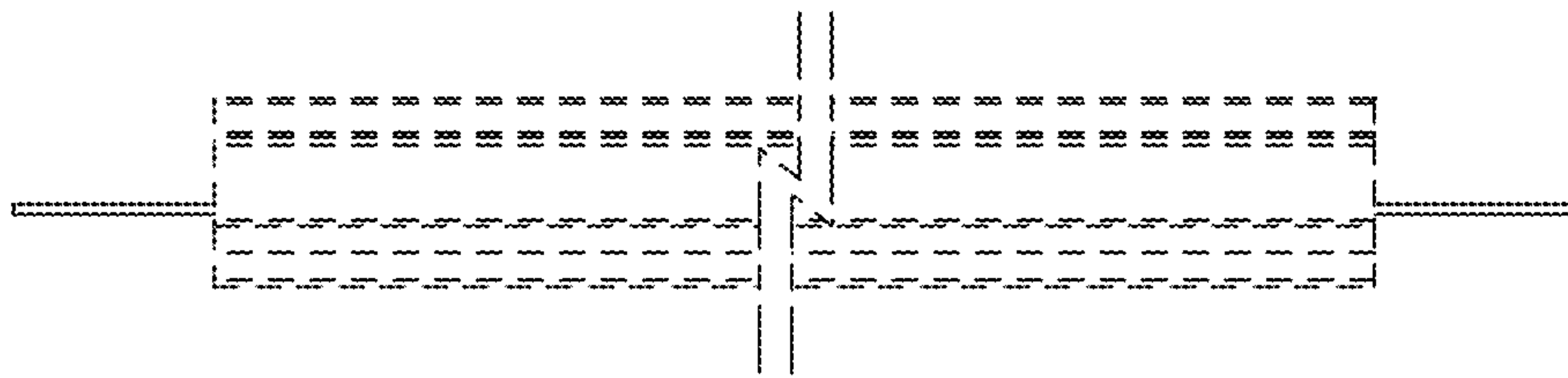


FIG. 6

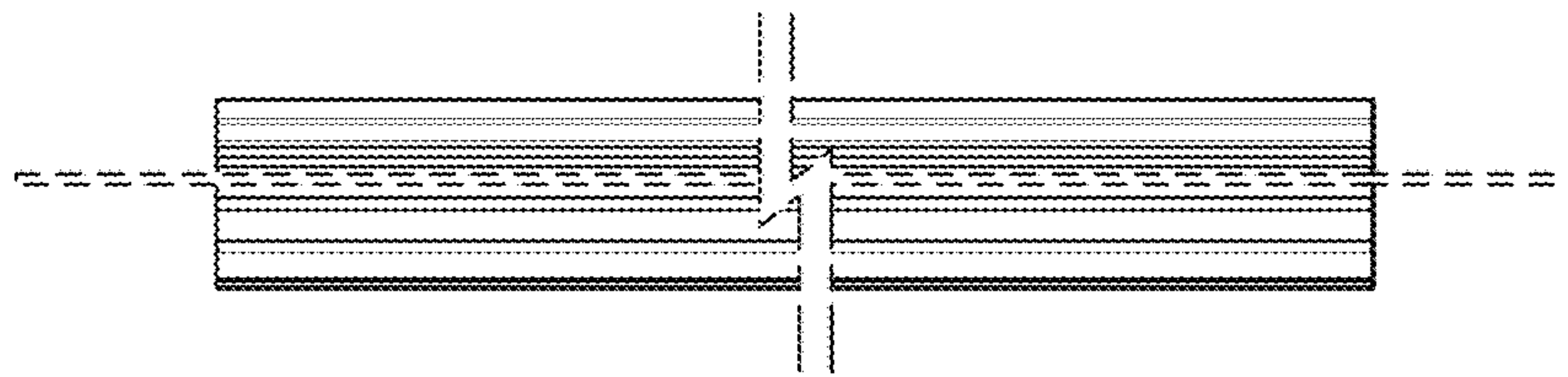


FIG. 7