

US00D832667S

(12) **United States Design Patent** (10) **Patent No.:** **US D832,667 S**
Hatcher et al. (45) **Date of Patent:** **** Nov. 6, 2018**

(54) **RATCHET AND DISPLAY**

(71) Applicant: **WINSTON PRODUCTS, LLC**,
Cleveland, OH (US)

(72) Inventors: **Troy Hatcher**, Bay Village, OH (US);
Richard Gyure, Willoughby, OH (US);
Robert Schmidt, Painsville, OH (US)

(73) Assignee: **Winston Products, LLC**, Cleveland,
OH (US)

(**) Term: **15 Years**

(21) Appl. No.: **29/598,266**

(22) Filed: **Mar. 24, 2017**

(51) **LOC (11) Cl.** **08-05**

(52) **U.S. Cl.**
USPC **D8/44**

(58) **Field of Classification Search**
USPC D8/14, 44, 51, 107
CPC B60P 7/083; B60P 7/0823; B60P 7/0838;
B60P 7/0846
See application file for complete search history.

7,392,973 B1 * 7/2008 Hsieh B60P 7/083
24/69 ST

8,776,323 B2 * 7/2014 McLennan B60P 7/0823
24/170

2009/0119892 A1 * 5/2009 Breeden B60P 7/083
24/68 CD

2013/0104354 A1 * 5/2013 Miller B60P 7/0823
24/68 CD

2013/0333169 A1 * 12/2013 Durand B60P 7/083
24/68 CD

* cited by examiner

Primary Examiner — Philip S Hyder
(74) *Attorney, Agent, or Firm* — Tucker Ellis LLP

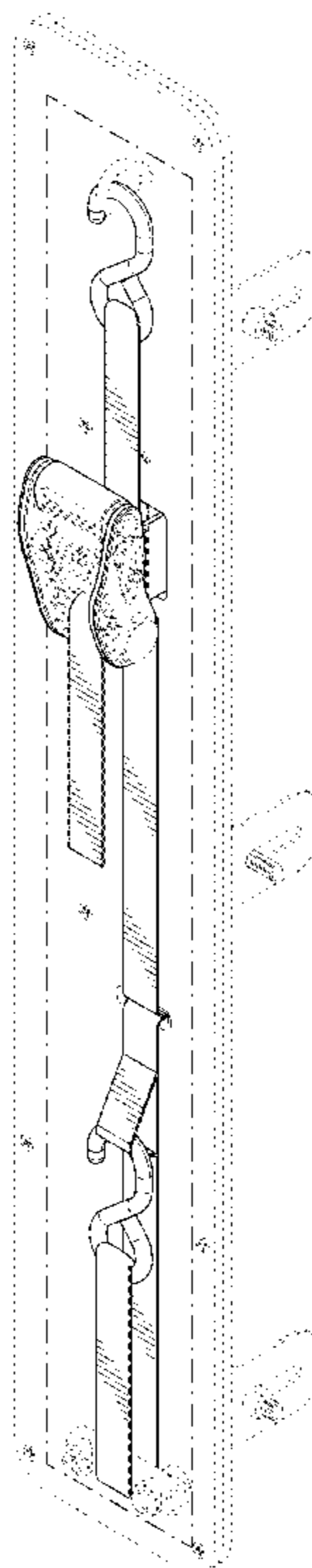
(57) **CLAIM**

The ornamental design for a ratchet and display, as shown and described.

DESCRIPTION

FIG. 1 is a front perspective view of a ratchet and display showing our new design;
FIG. 2 is a rear perspective view thereof;
FIG. 3 is a front view thereof;
FIG. 4 is a rear view thereof;
FIG. 5 is a left side view thereof;
FIG. 6 is a right side view thereof;
FIG. 7 is a top view thereof; and,
FIG. 8 is a bottom view thereof.
The broken lines shown herein are for illustrative purposes only and form no part of the claimed design. The dot-dash line represents an unclaimed boundary.

1 Claim, 4 Drawing Sheets



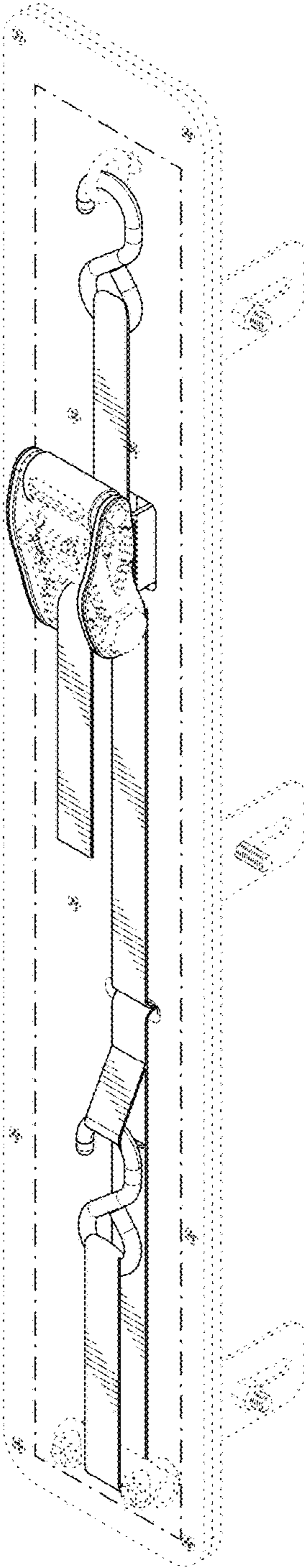


FIG. 1

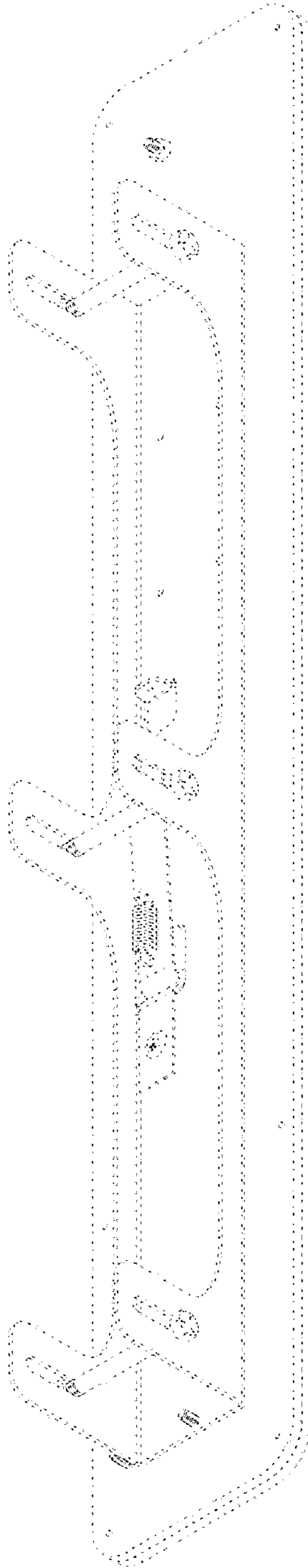


FIG. 2

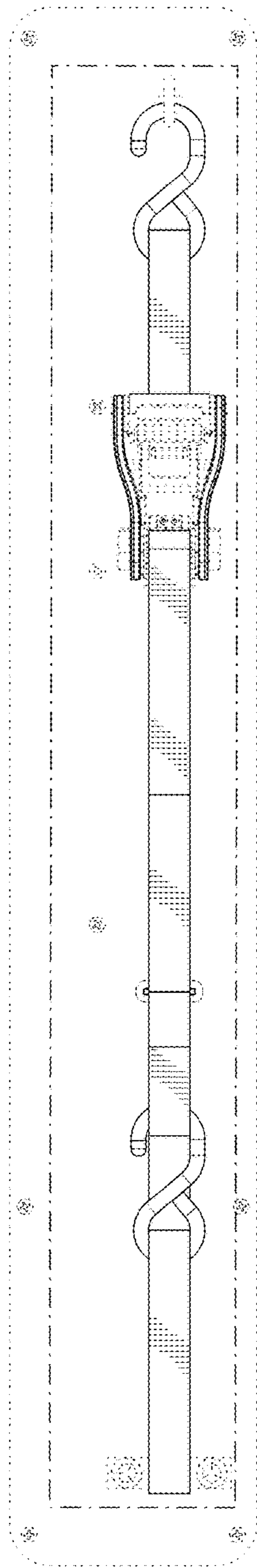


FIG. 3

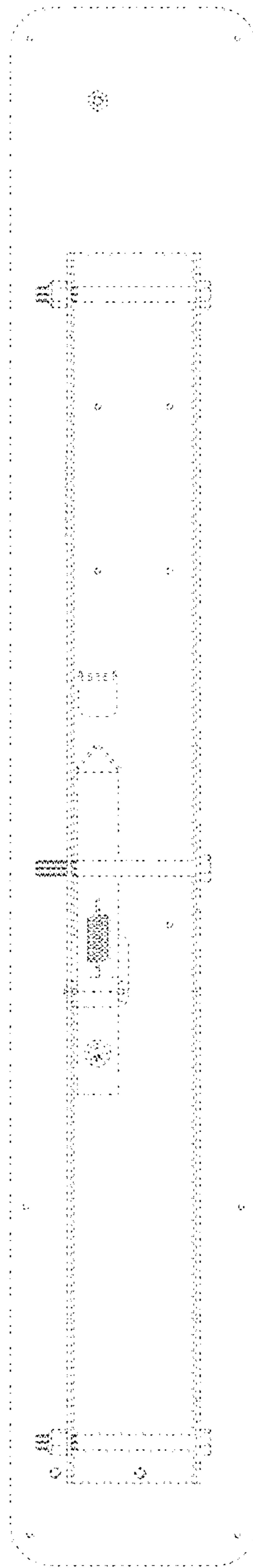


FIG. 4

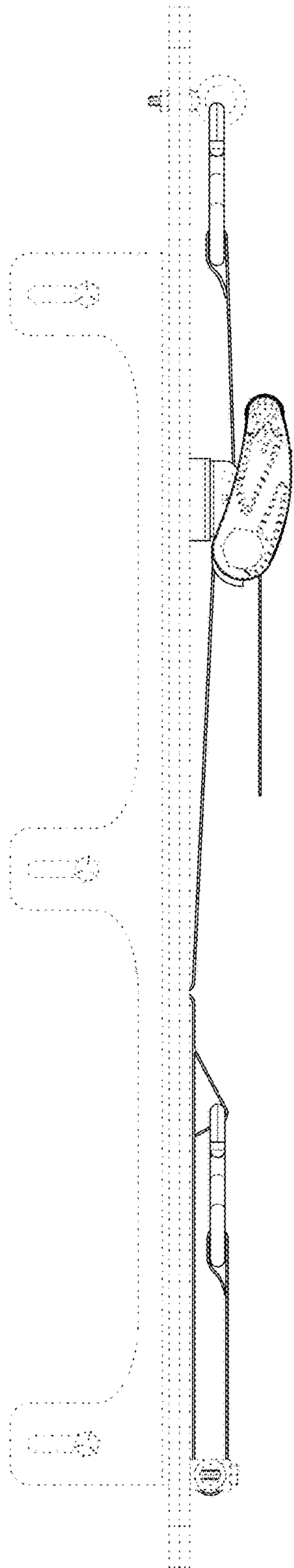


FIG. 5

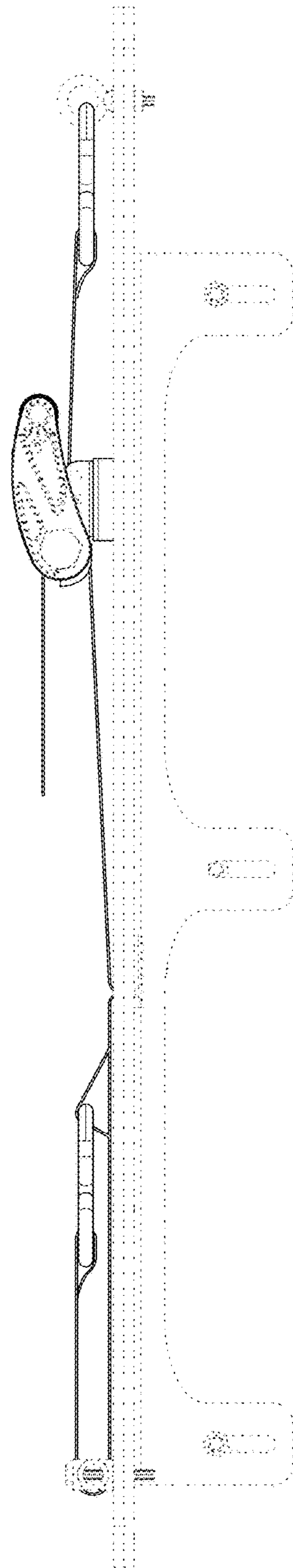


FIG. 6

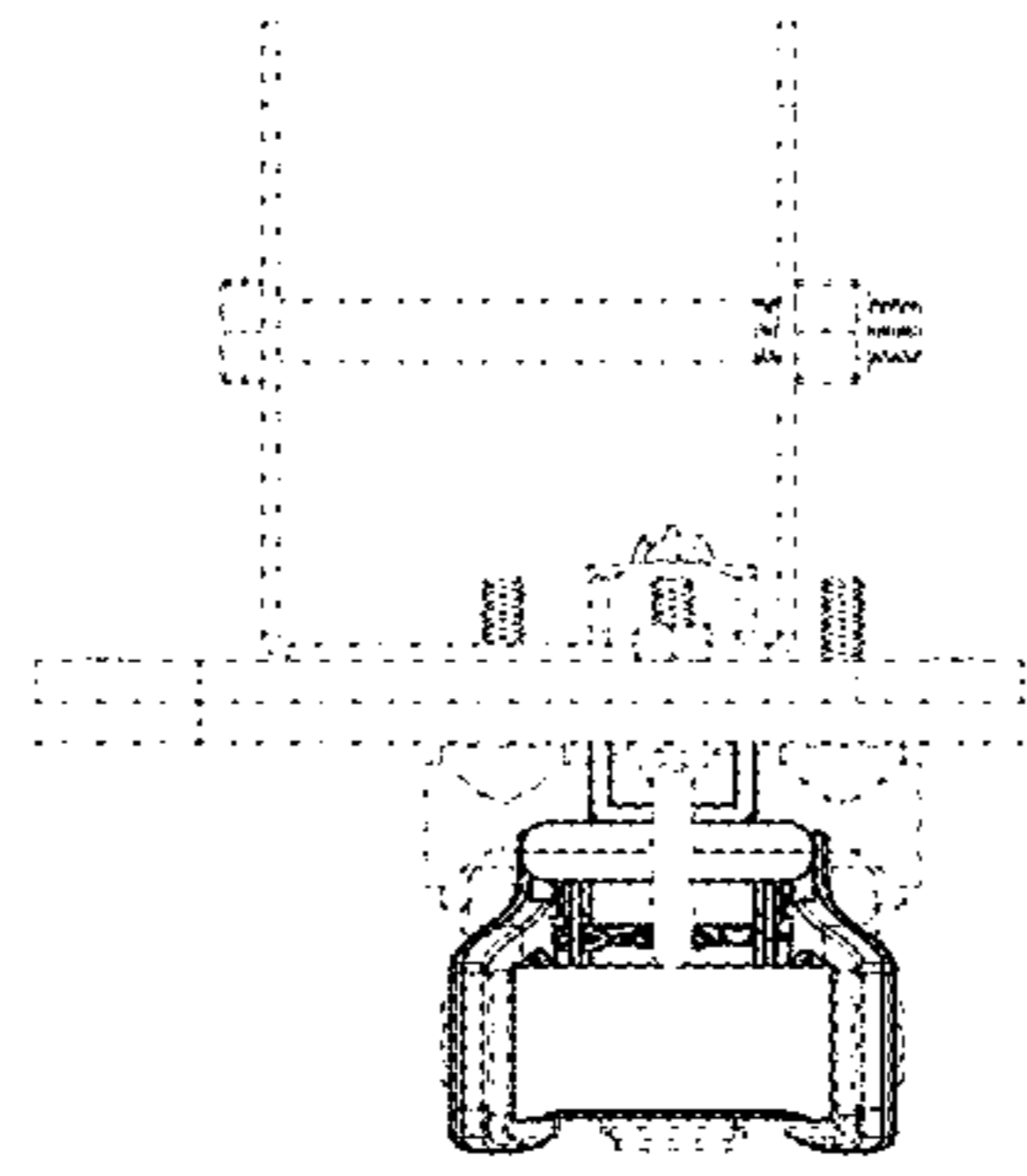


FIG. 7

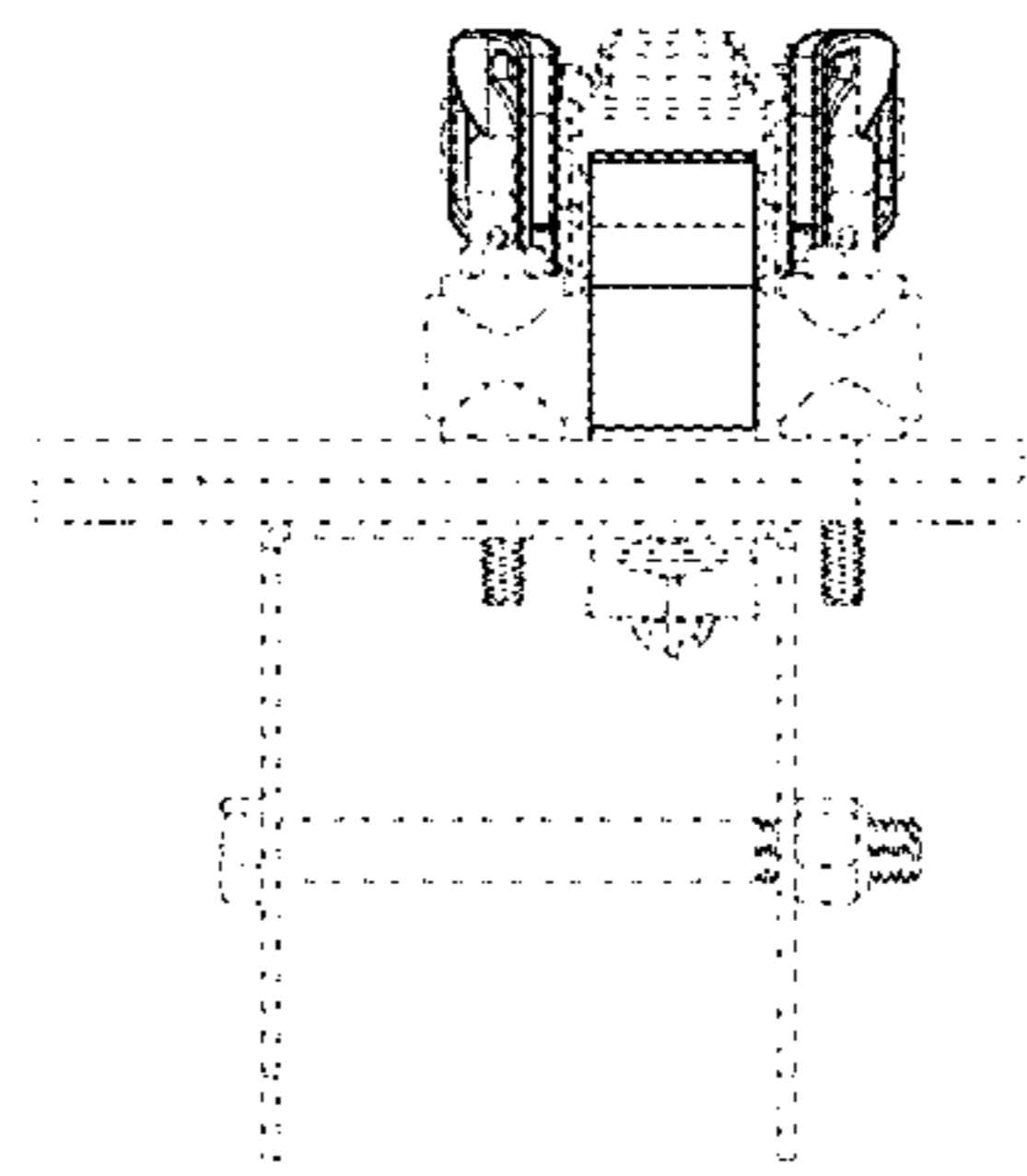


FIG. 8