



US00D832664S

(12) **United States Design Patent**
Degerland

(10) **Patent No.:** **US D832,664 S**

(45) **Date of Patent:** **** Nov. 6, 2018**

(54) **FUNNEL**

(71) Applicant: **Renton Invest AB**, Sala (SE)

(72) Inventor: **Björn Degerland**, Sala (SE)

(73) Assignee: **Renton Invest AB**, Sala (SE)

(**) Term: **15 Years**

(21) Appl. No.: **29/592,919**

(22) Filed: **Feb. 3, 2017**

(30) **Foreign Application Priority Data**

Feb. 2, 2017 (EM) 003735638

(51) **LOC (11) Cl.** **07-99**

(52) **U.S. Cl.**
USPC **D7/700**

(58) **Field of Classification Search**
USPC D7/400, 667, 398; D9/440, 436, 524,
D9/712; D23/209, 302; D10/46.2;
D1/105, 116; D24/122

CPC A61J 11/04; A61J 9/00; B01F 15/00915;
B65B 39/00; B65B 39/04; B65D 35/38;
B65D 47/06; B67C 11/02; A47J 31/06;
C02F 1/003

See application file for complete search history.

(56) **References Cited**

U.S. PATENT DOCUMENTS

D143,458 S * 1/1946 Burroughs D7/700
D242,489 S * 11/1976 Zabel D24/110
D244,171 S * 5/1977 Pearce D7/700
D348,275 S * 6/1994 Zimmerman D15/150
D375,878 S * 11/1996 Morris D7/700
D383,043 S * 9/1997 Harris D7/700
D402,169 S * 12/1998 Hestehave D7/700
D514,901 S * 2/2006 Wang D7/700
D560,106 S * 1/2008 Curtin D7/700

D567,038 S * 4/2008 Carallo D7/700
D619,431 S * 7/2010 Wax D7/700
D646,531 S * 10/2011 Murphy D7/700
D649,844 S * 12/2011 Bittner D7/700
D661,957 S * 6/2012 Lee D7/700
D680,827 S * 4/2013 Cetera D7/700
D732,906 S * 6/2015 Anderson D7/669
D738,169 S * 9/2015 Weisenbach D7/700
D773,544 S * 12/2016 Tseng D15/150

(Continued)

OTHER PUBLICATIONS

Shine on website, Renton, WA: Gooseneck Lighting Buying Guide, Publication date Feb. 22, 2017, [site visited Feb. 12, 2018], Available on the Internet URL <http://shineonsigns.com/2017/02/22/renton-wa-gooseneck-lighting-buying-guide/>.*

Primary Examiner — Karen S Acker

(74) *Attorney, Agent, or Firm* — Dilworth & Barrese, LLP

(57) **CLAIM**

The ornamental design for a funnel, as shown and described.

DESCRIPTION

FIG. 1 is a left side front perspective view from below of the funnel showing my new design;

FIG. 2 is a right side front perspective view from above of the funnel of FIG. 1;

FIG. 3 is a front elevational view of the funnel of FIGS. 1 and 2;

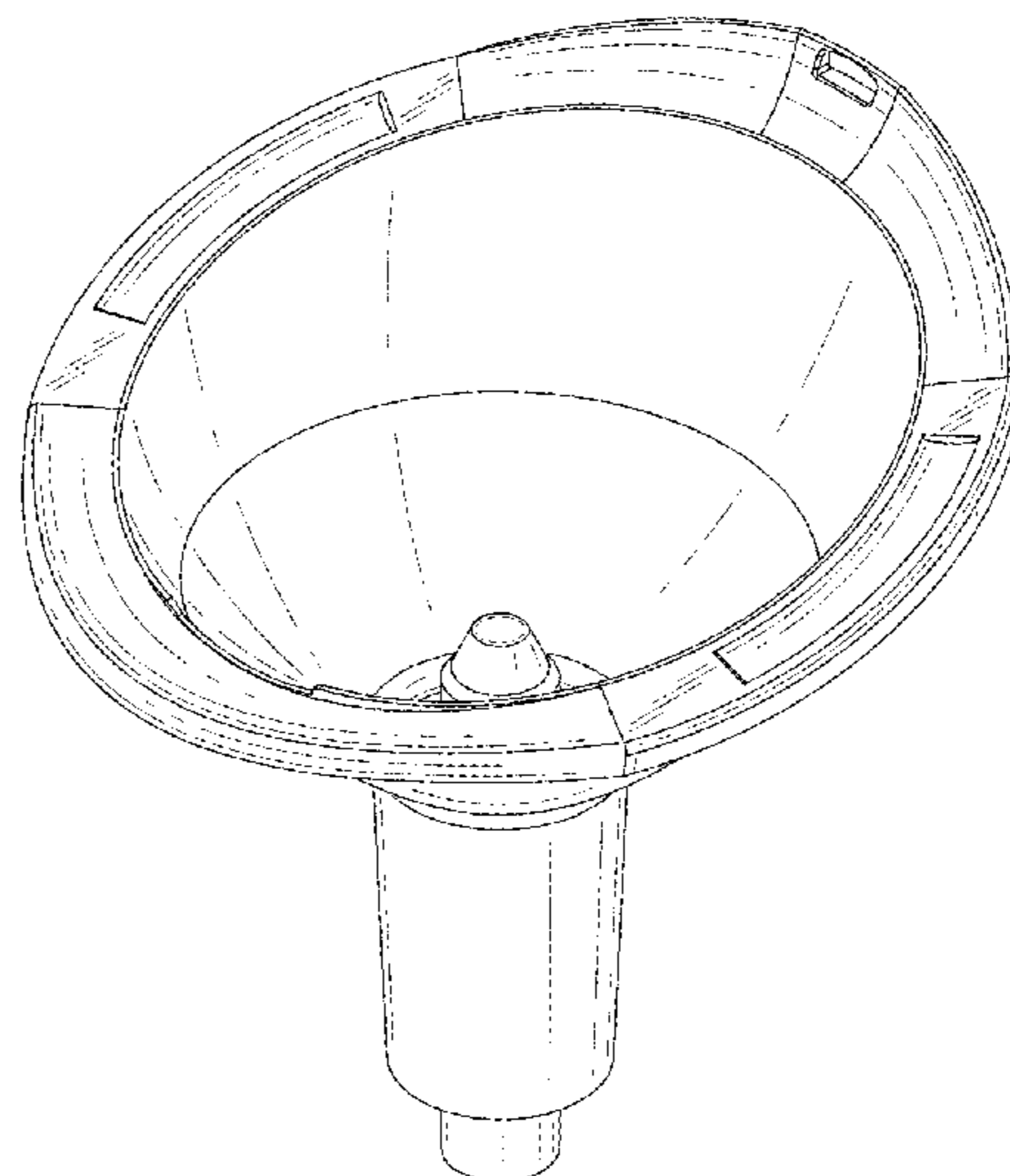
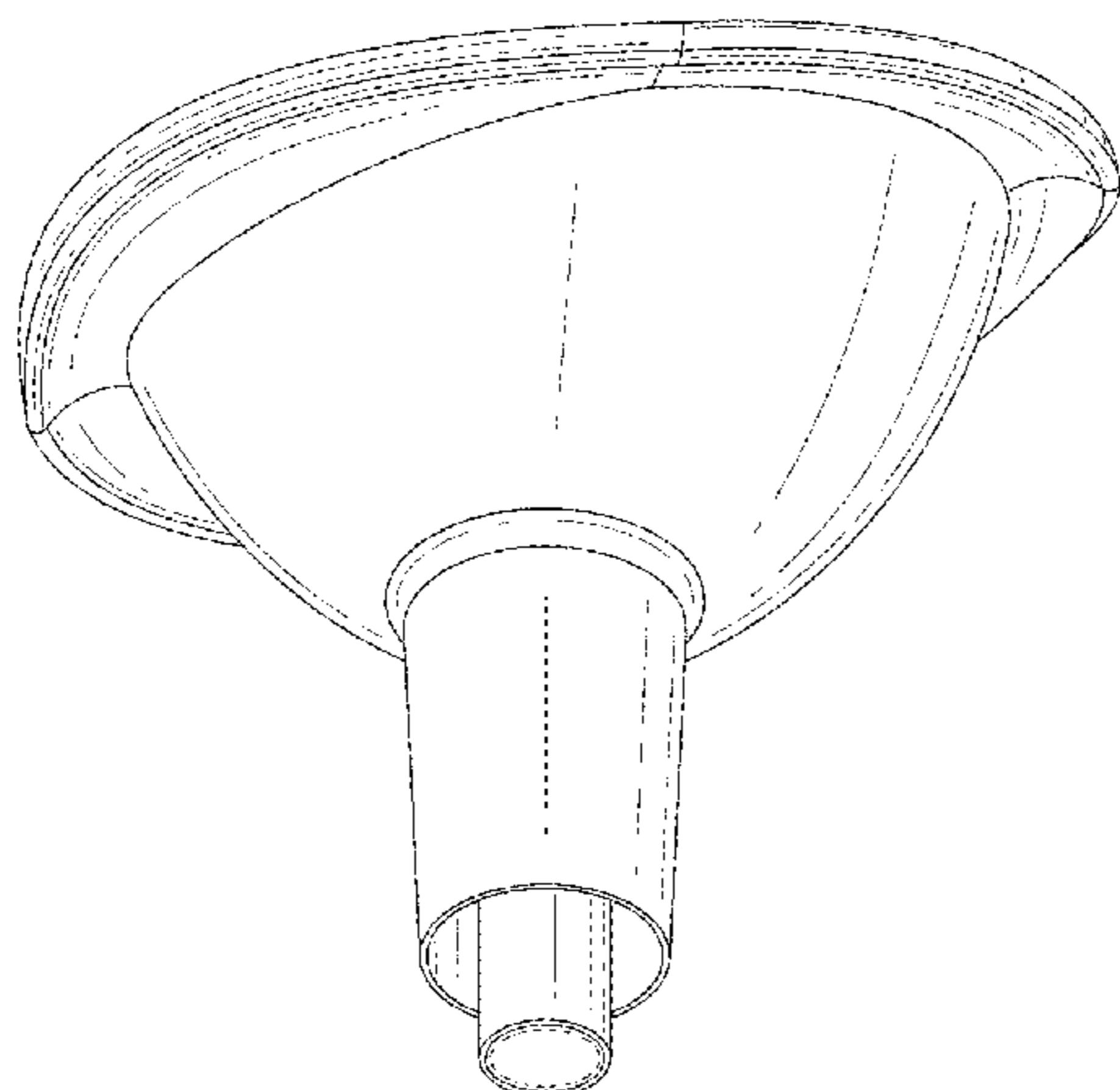
FIG. 4 is a rear elevational view of the funnel of FIGS. 1-3;

FIG. 5 is a left side elevational view of the funnel of FIGS. 1-4, the right side elevational view being a substantial mirror image thereof;

FIG. 6 is a top plan view of the funnel of FIGS. 1-5; and, FIG. 7 is a bottom plan view of the funnel of FIGS. 1-6.

The broken lines depict portions of the funnel and form no part of the claimed design.

1 Claim, 4 Drawing Sheets



(56)

References Cited

U.S. PATENT DOCUMENTS

D783,209 S * 4/2017 Morris D30/121
2015/0344279 A1* 12/2015 Levy B67C 11/02
141/86

* cited by examiner

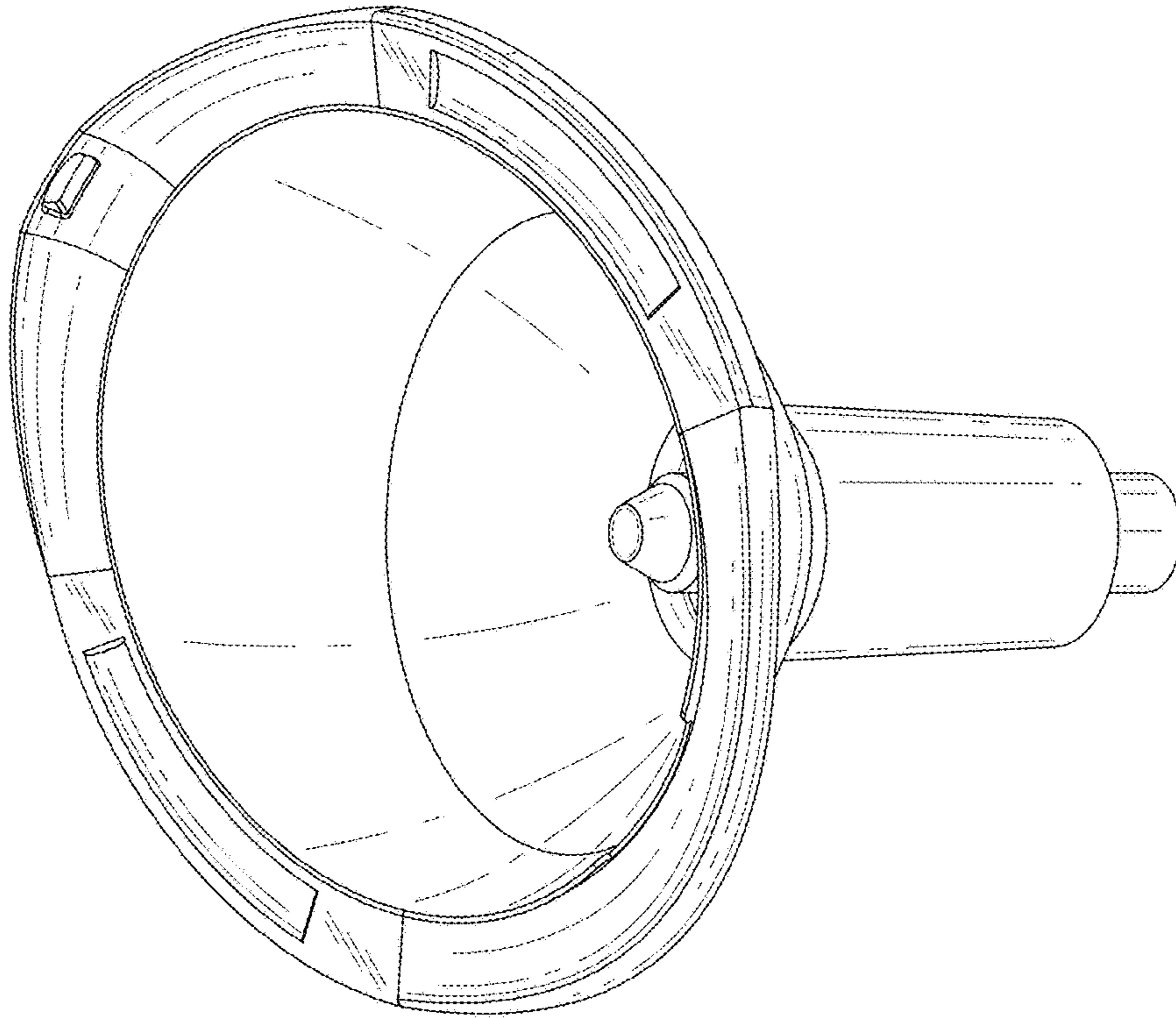


FIG. 2

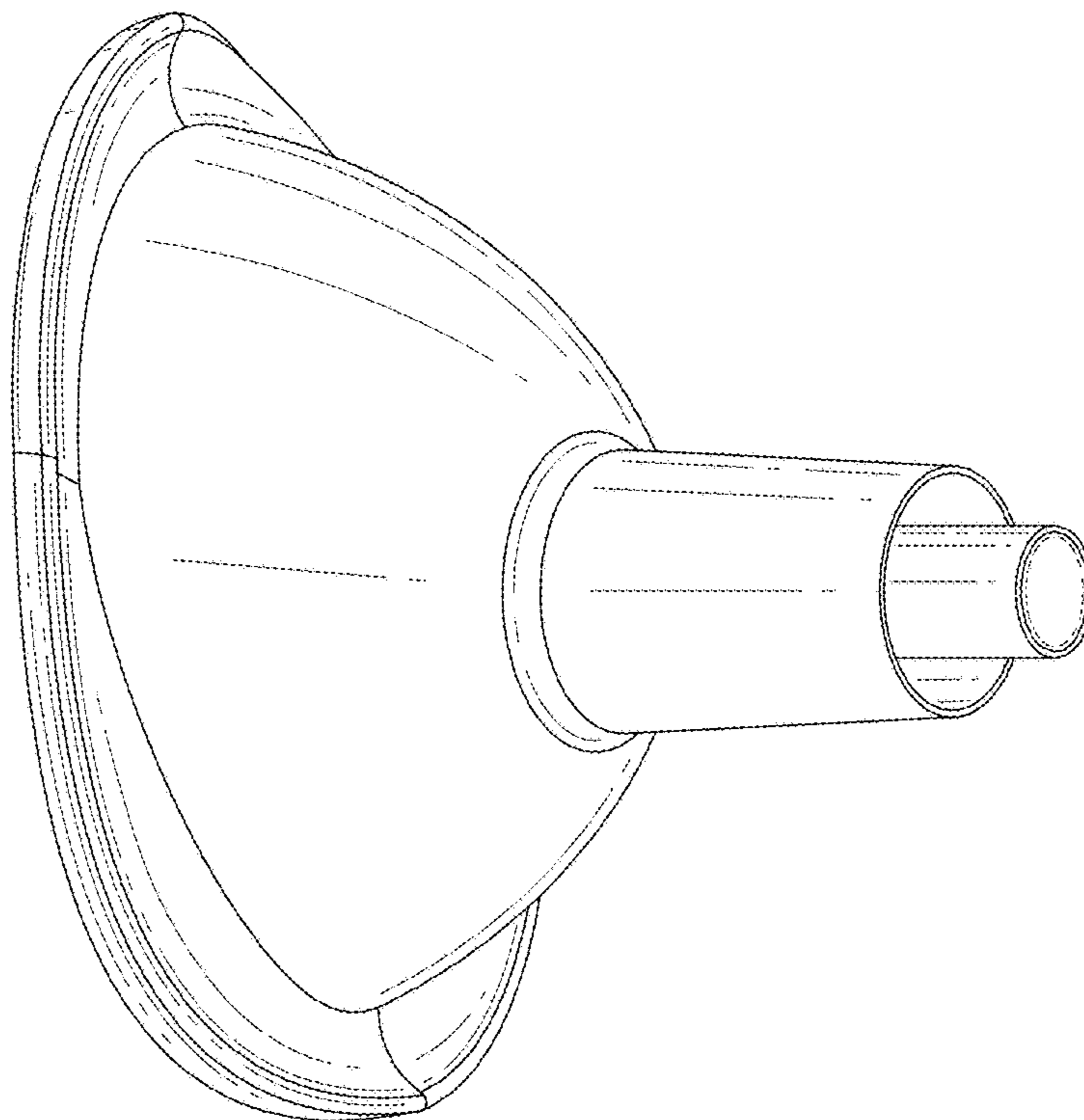


FIG. 1

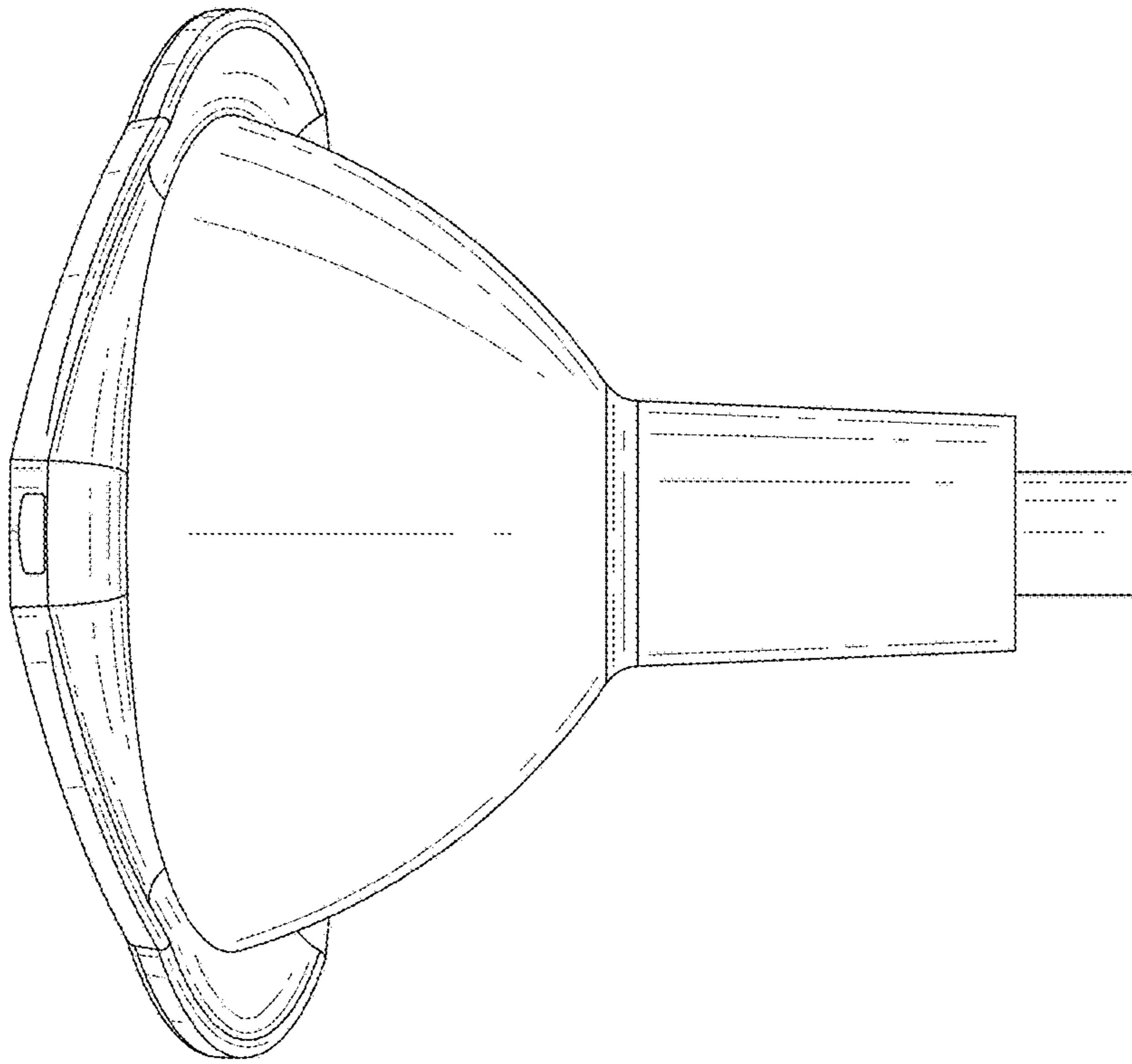


FIG. 4

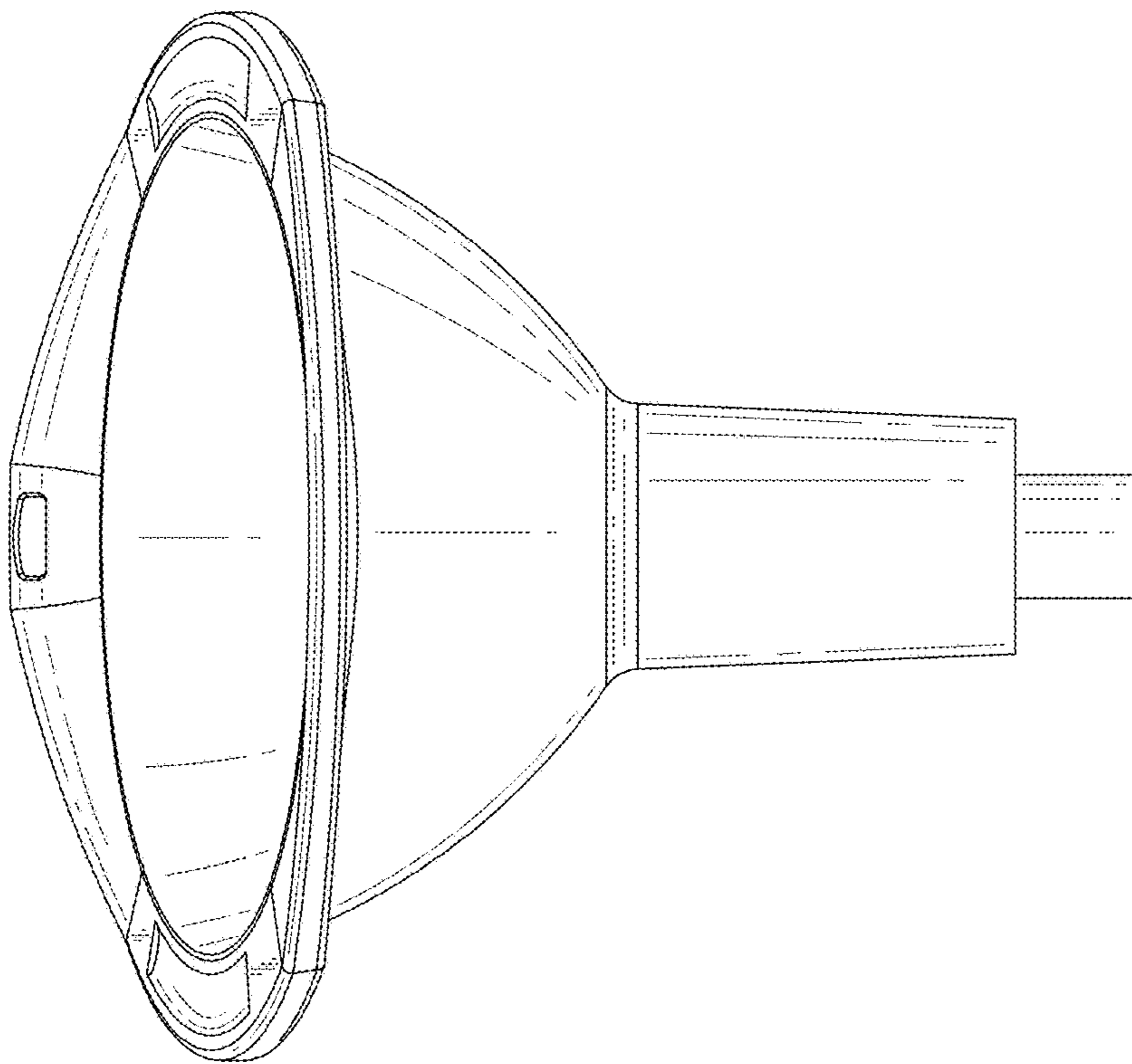


FIG. 3

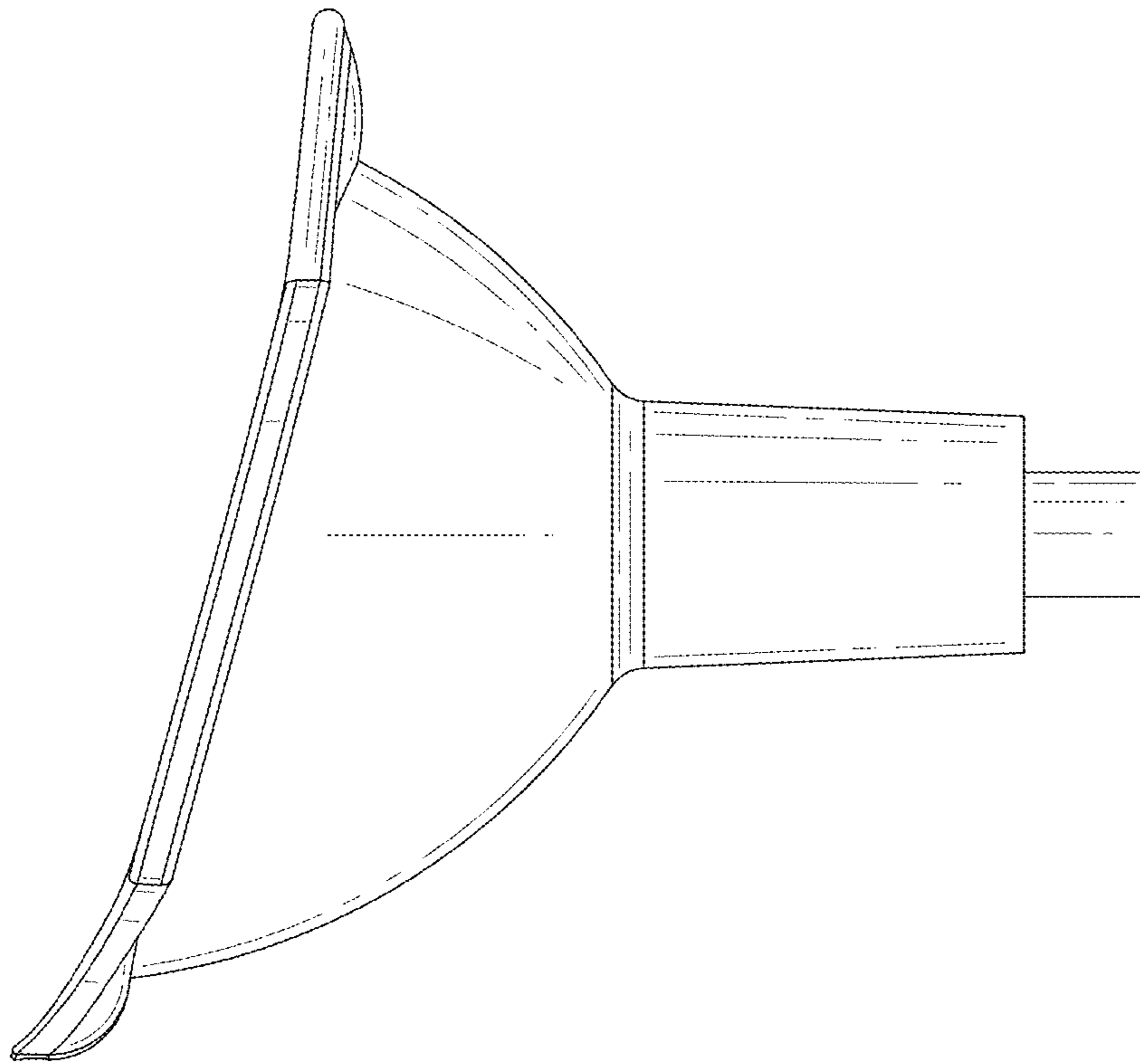


FIG. 5

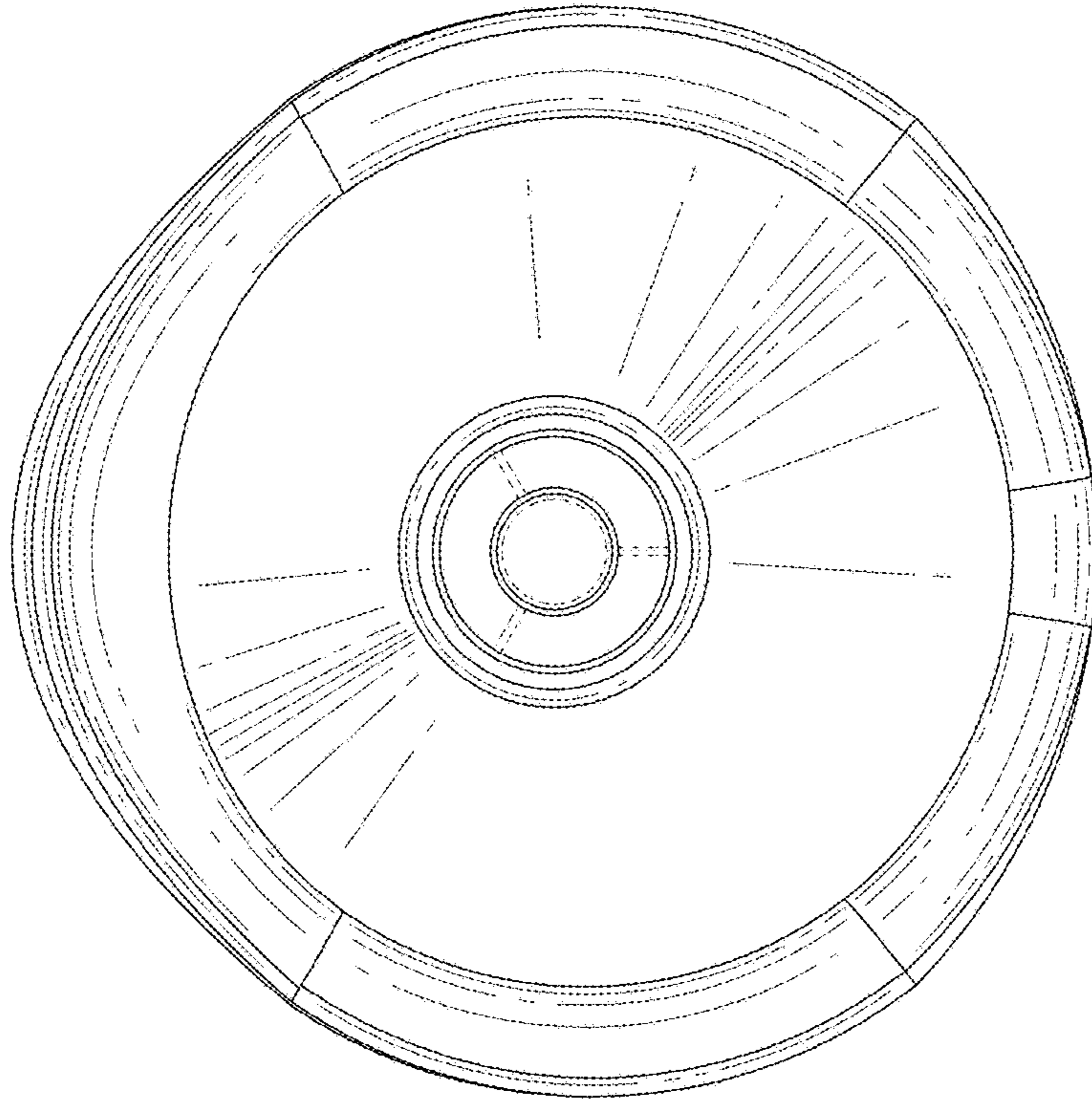


FIG. 7

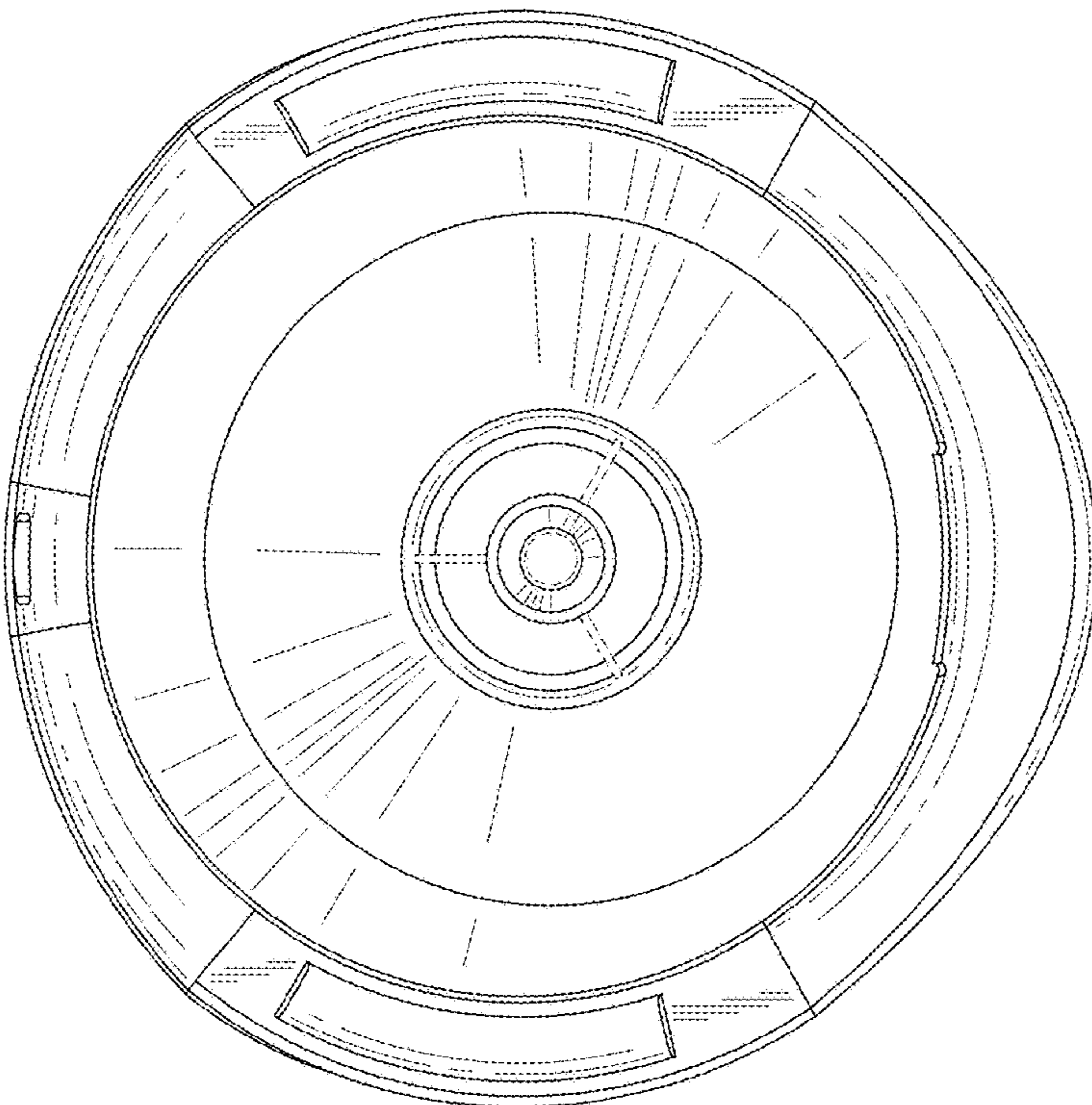


FIG. 6