



US00D832663S

(12) **United States Design Patent** (10) **Patent No.:** **US D832,663 S**
Kopke (45) **Date of Patent:** **** Nov. 6, 2018**

(54) **SANITARY UTENSIL**
(71) Applicant: **David Kopke**, Sterling Heights, MI (US)
(72) Inventor: **David Kopke**, Sterling Heights, MI (US)
(**) Term: **15 Years**
(21) Appl. No.: **29/613,515**
(22) Filed: **Aug. 10, 2017**
(51) **LOC (11) Cl.** **07-03**
(52) **U.S. Cl.**
USPC **D7/664**; D7/395; D7/401.2; D7/653
(58) **Field of Classification Search**
USPC D7/368, 395, 401.2, 642-645, 653-664, D7/669, 675-677, 683, 688-689, 691; D8/107, 300-301; D22/117-118; D28/38
CPC ... A01D 9/02; A01D 9/04; A01D 9/06; A47G 21/00; A47G 21/004; A47G 21/005; A47G 21/02; A47G 21/023; A47G 21/04; A47G 21/06; A47G 21/08; A47J 43/28; A47J 43/281; A47J 43/282; A61F 13/10; A61J 7/0023; B25G 1/00; B25G 1/01; B25G 1/02; B25G 3/00; B65D 75/56; B65D 75/563; B65D 75/566; B67B 7/00; B67B 7/724; B67B 7/73
See application file for complete search history.

D486,265 S * 2/2004 Olsen D28/38
6,994,304 B2 2/2006 Kim et al.
D573,852 S * 7/2008 Wills D7/663
D595,546 S * 7/2009 LeGreve D7/691
7,975,857 B2 7/2011 Restis et al.
D652,252 S * 1/2012 Greiner D7/401.2
8,733,708 B2 5/2014 Tarantino et al.
D747,632 S * 1/2016 Shim D7/653
D747,934 S * 1/2016 Shim D7/653
(Continued)

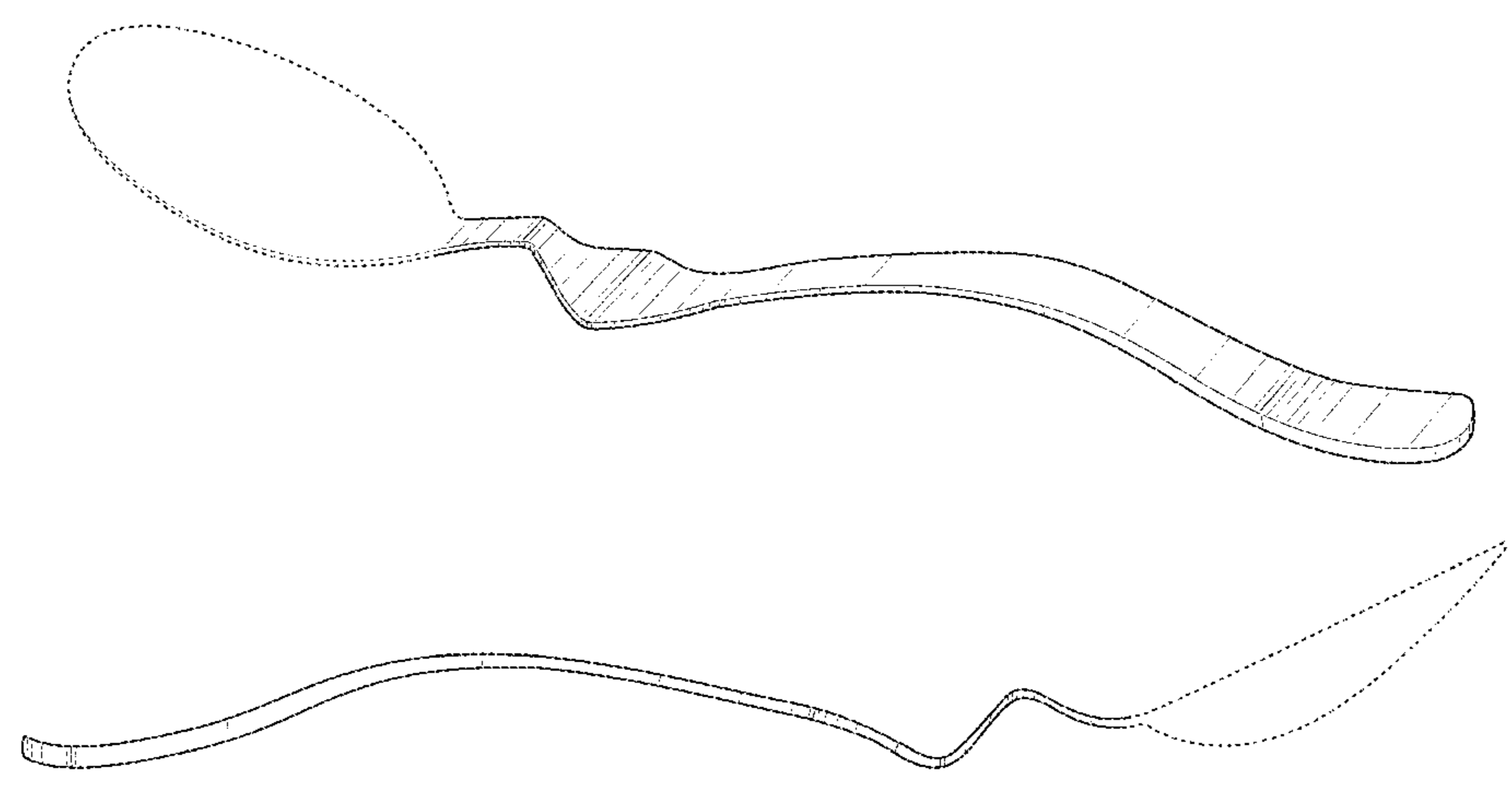
Primary Examiner — Ricky Pham
(74) *Attorney, Agent, or Firm* — Global Intellectual Property Agency, LLC; Daniel Boudwin

(57) **CLAIM**
The ornamental design for a sanitary utensil, as shown and described.

DESCRIPTION
FIG. 1 shows a perspective view of a first embodiment of the sanitary utensil;
FIG. 2 shows a top elevation view thereof;
FIG. 3 shows a bottom elevation view thereof;
FIG. 4 shows a right side elevation view thereof;
FIG. 5 shows a left side elevation view thereof;
FIG. 6 shows a front elevation view thereof;
FIG. 7 shows a rear elevation view thereof;
FIG. 8 shows a perspective view of a second embodiment of the sanitary utensil;
FIG. 9 shows a top elevation view thereof;
FIG. 10 shows a bottom elevation view thereof;
FIG. 11 shows a right side elevation view thereof;
FIG. 12 shows a left side elevation view thereof;
FIG. 13 shows a front elevation view thereof; and,
FIG. 14 shows a rear elevation view thereof.
The broken lines shown in the drawings represent environmental effects or potential embodiments and do not form any part of the claimed design. The difference in shading in the figures indicates a contrast of color and does not depict any particular color, texture, or material.

1 Claim, 8 Drawing Sheets

(56) **References Cited**
U.S. PATENT DOCUMENTS
1,347,307 A * 7/1920 Thomas A47G 21/02 30/1
D263,272 S * 3/1982 Jagger D7/664
D271,739 S * 12/1983 Jagger D7/664
D276,686 S * 12/1984 Jagger D7/664
4,940,199 A 7/1990 Hall
5,411,141 A 5/1995 Bounds



(56)

References Cited

U.S. PATENT DOCUMENTS

D758,141 S * 6/2016 Spagnolo D7/642
D770,241 S * 11/2016 Shim D7/653
D771,445 S * 11/2016 Shim D7/653
2010/0206997 A1 8/2010 Starke

* cited by examiner

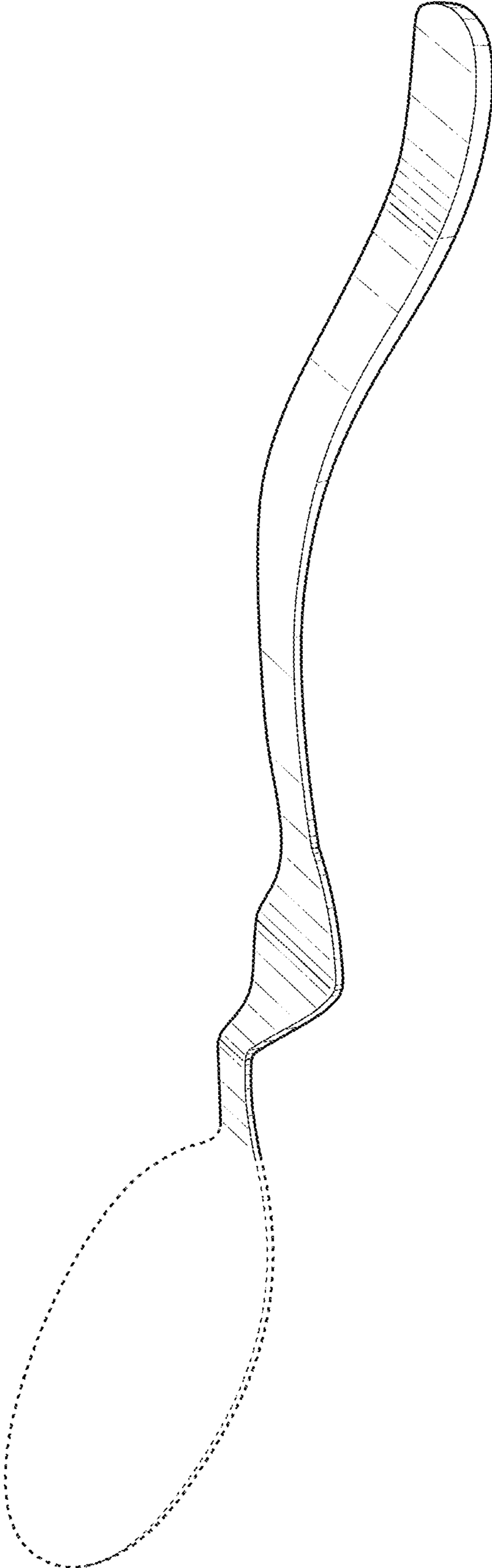
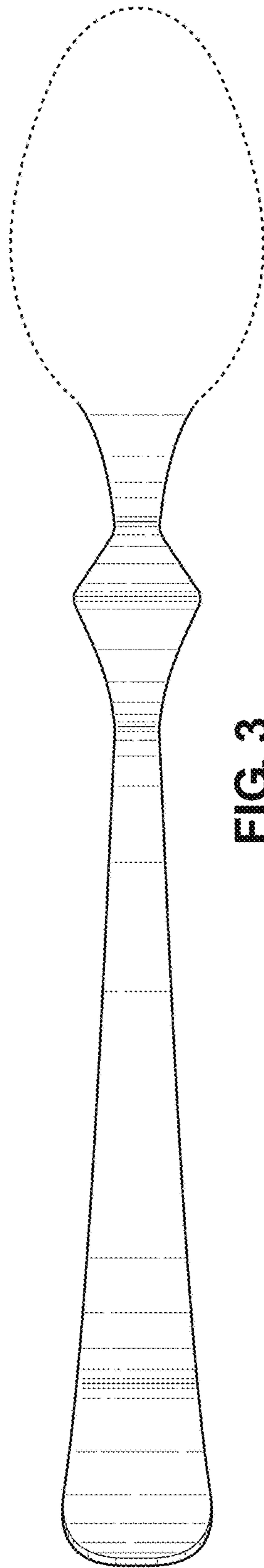
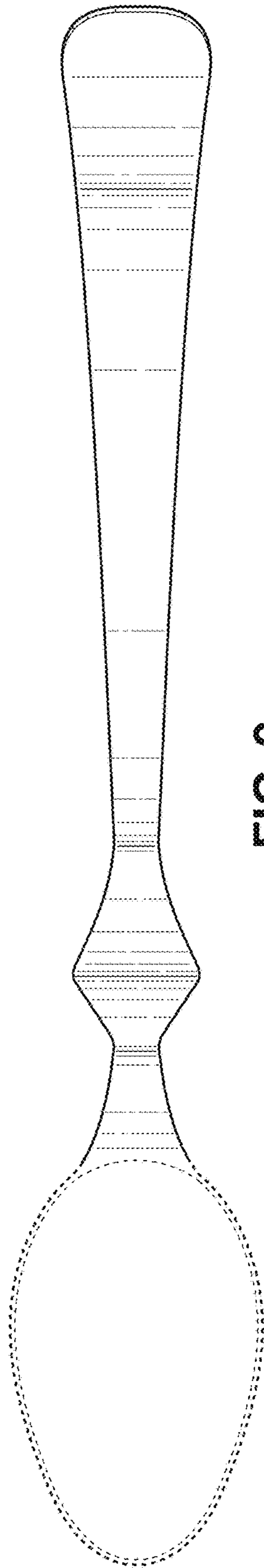


FIG. 1



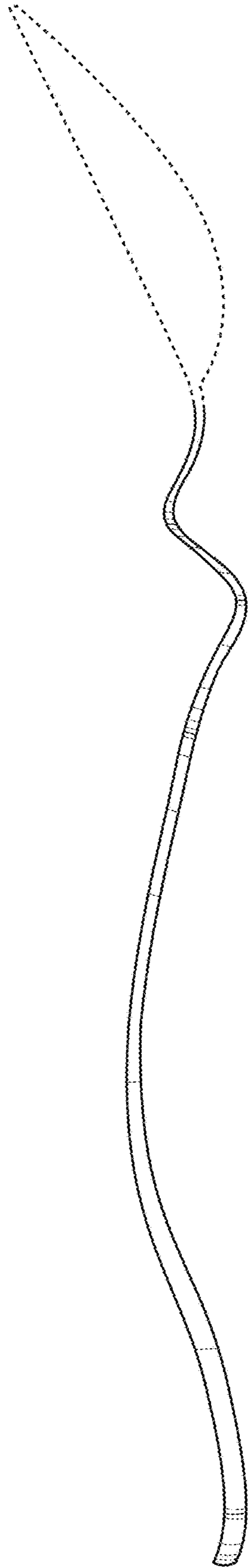


FIG. 4

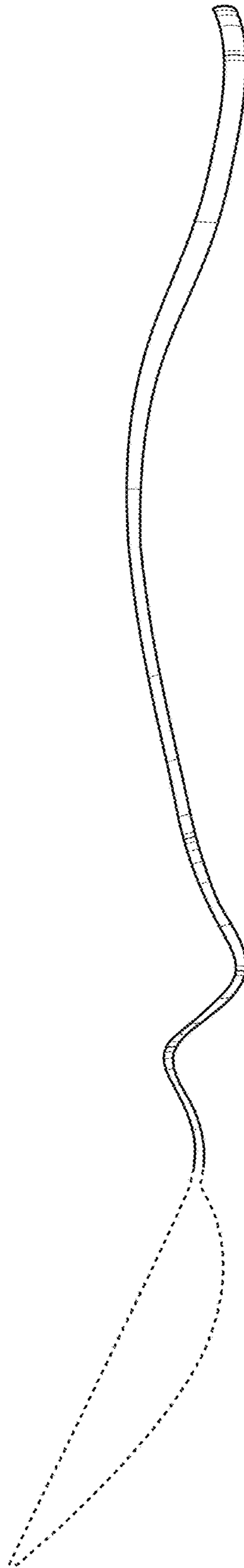


FIG. 5

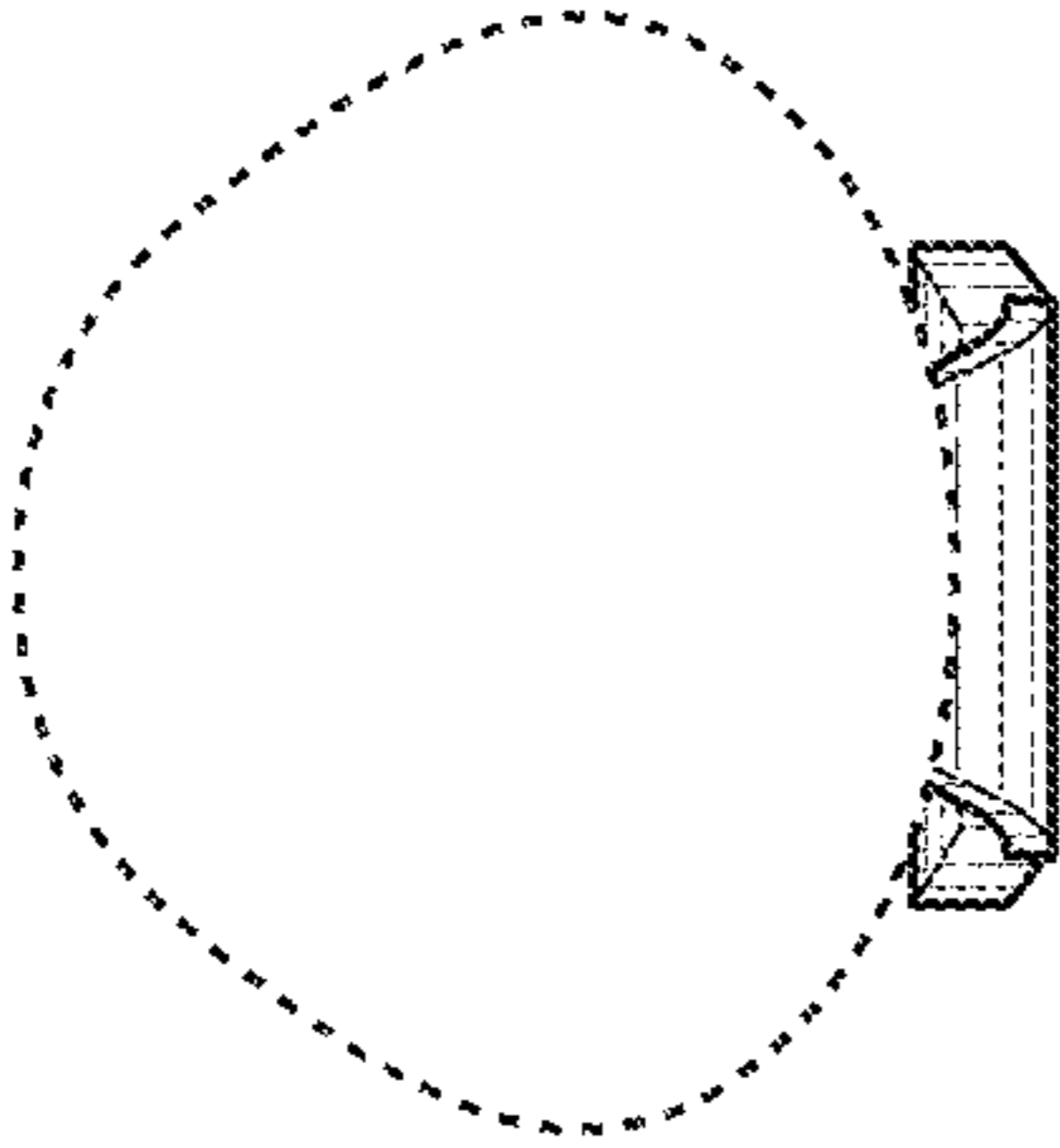


FIG. 6

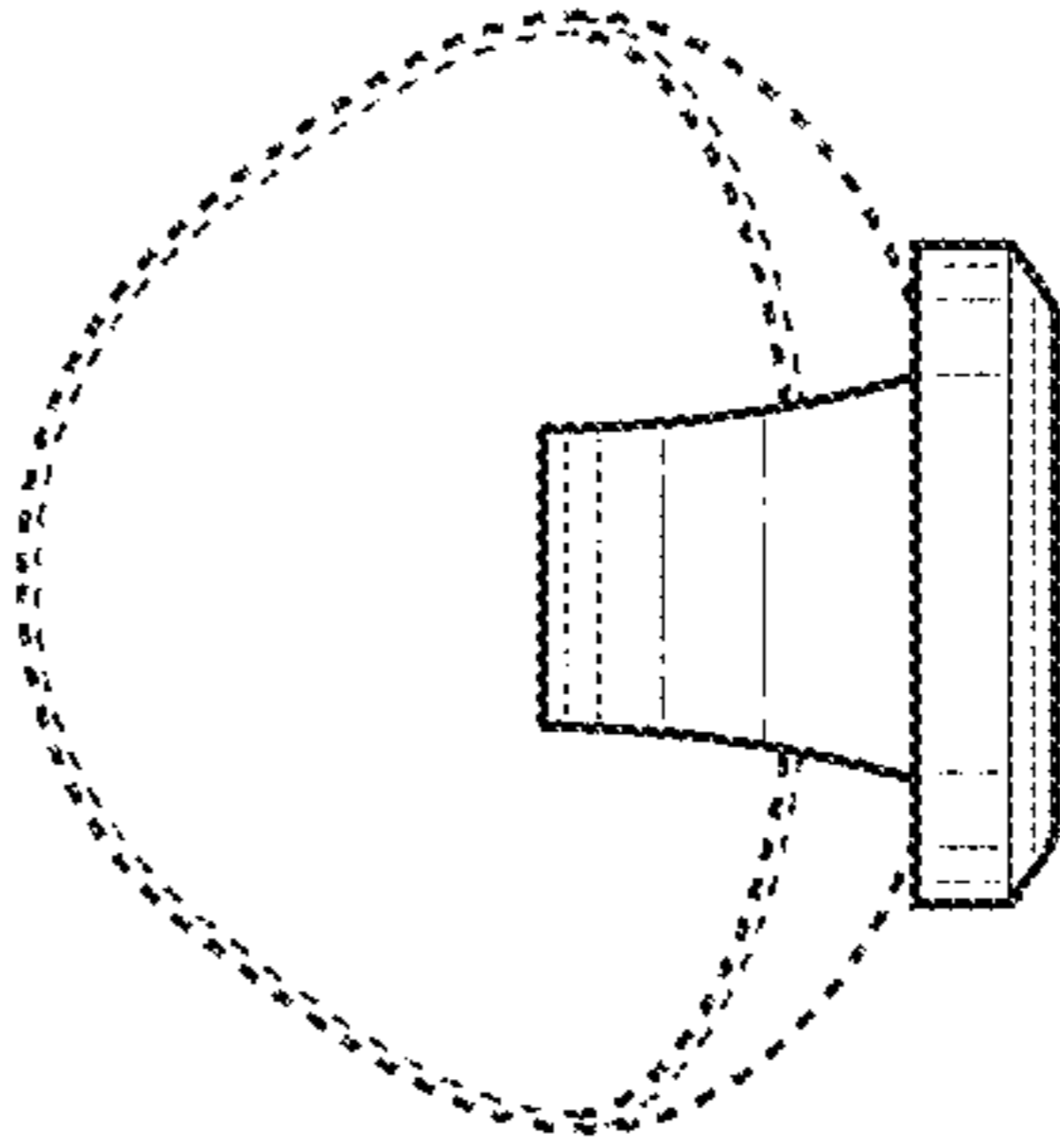


FIG. 7

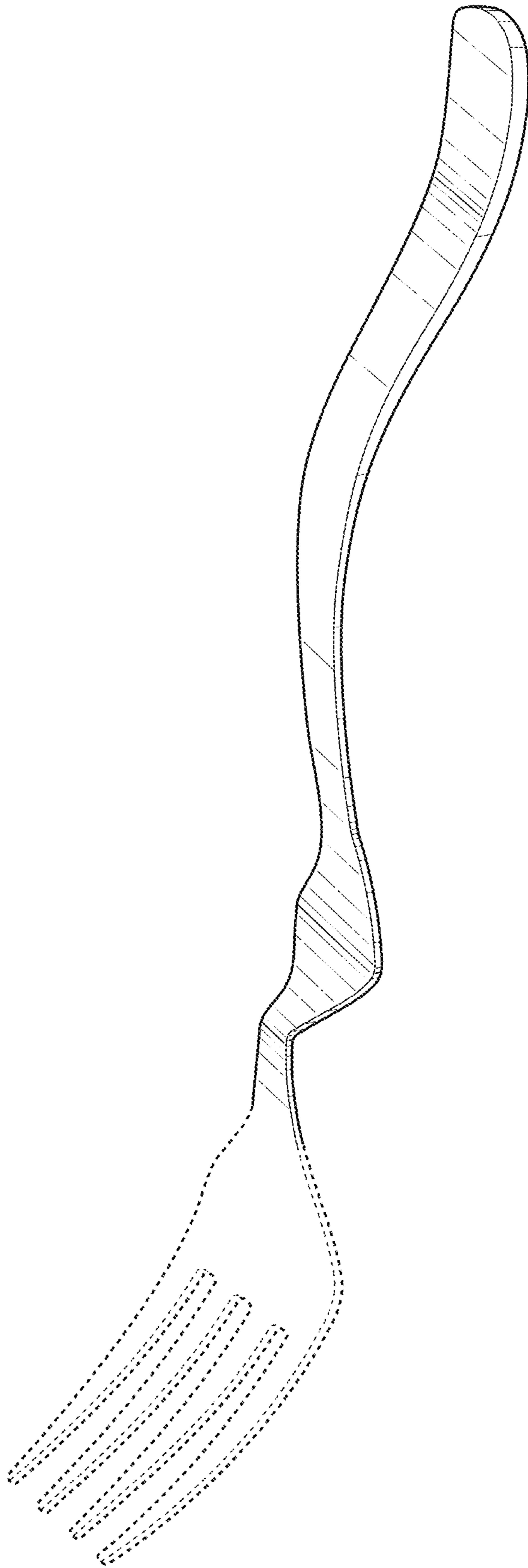


FIG. 8

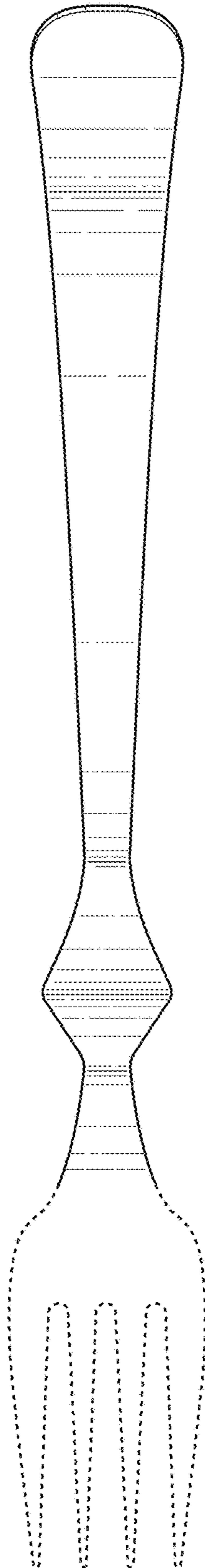


FIG. 9

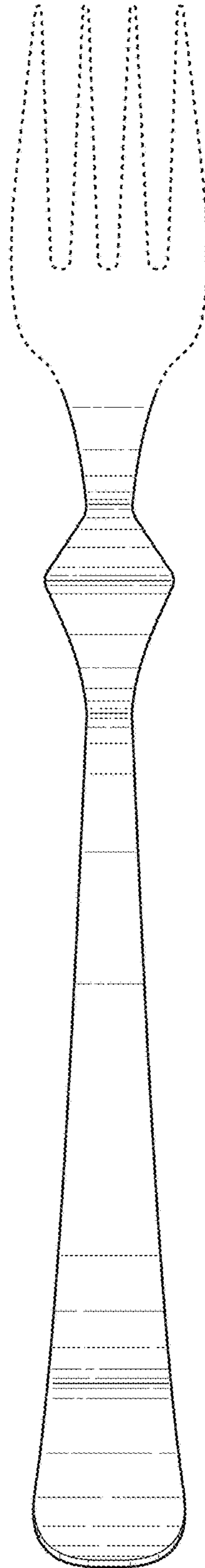


FIG. 10

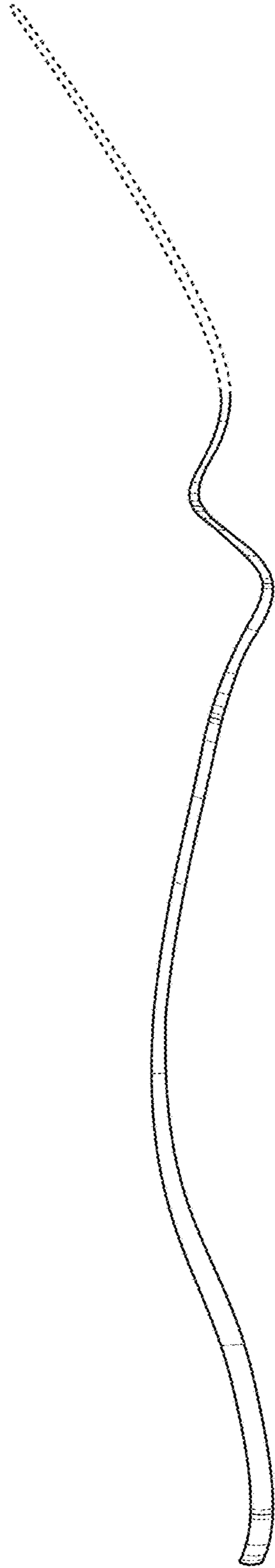


FIG. 11

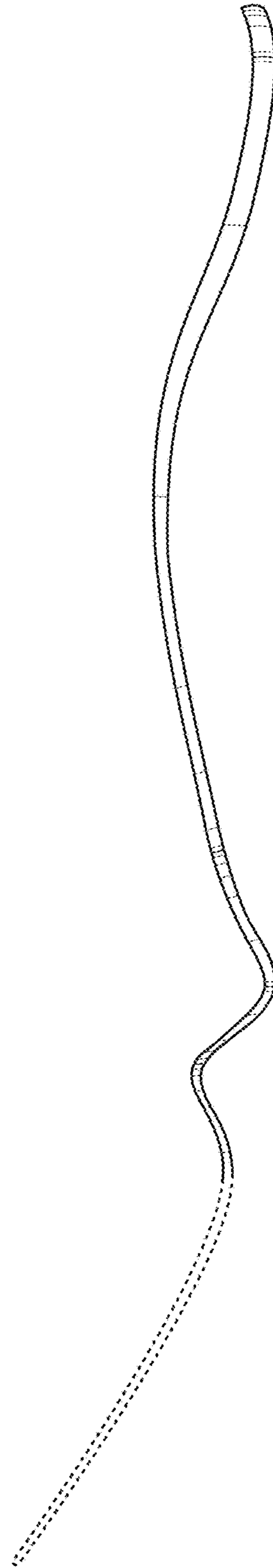


FIG. 12

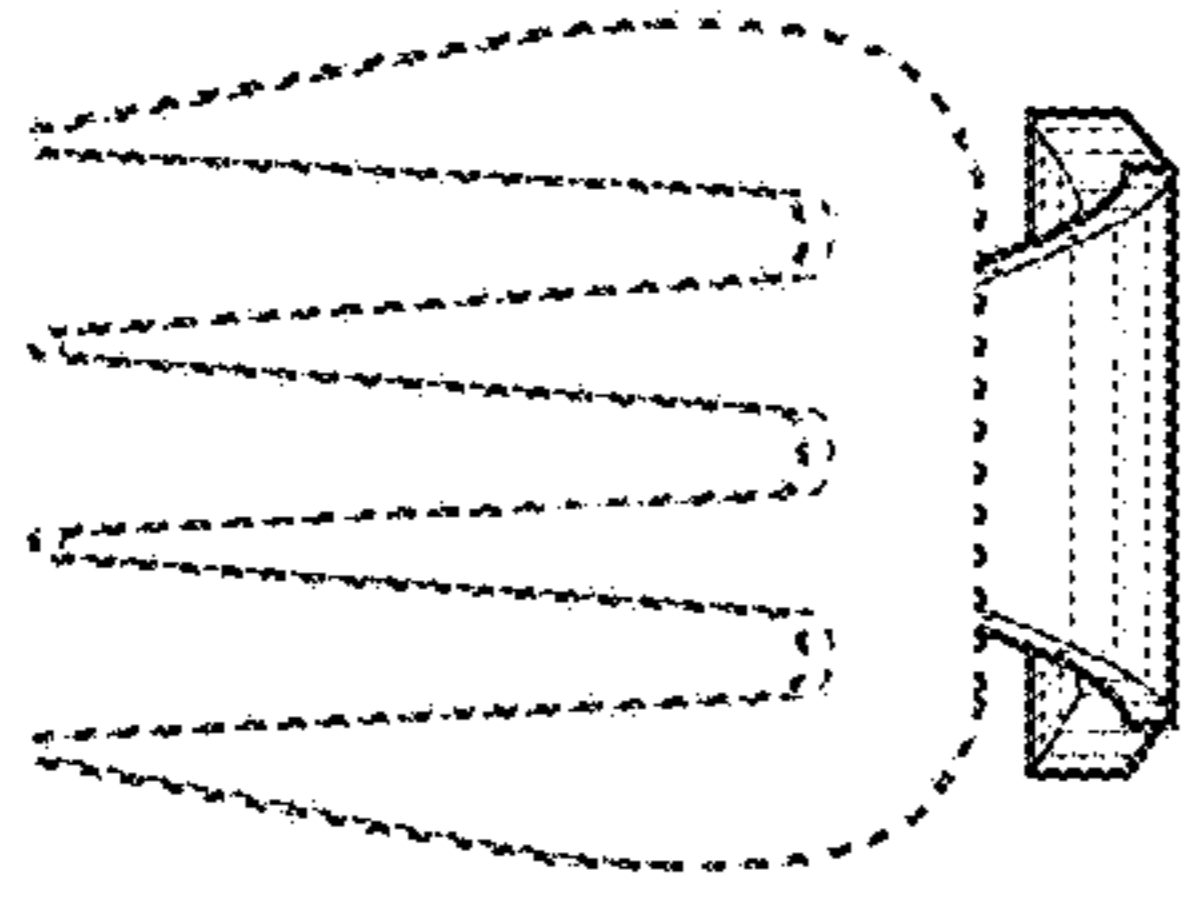


FIG. 13

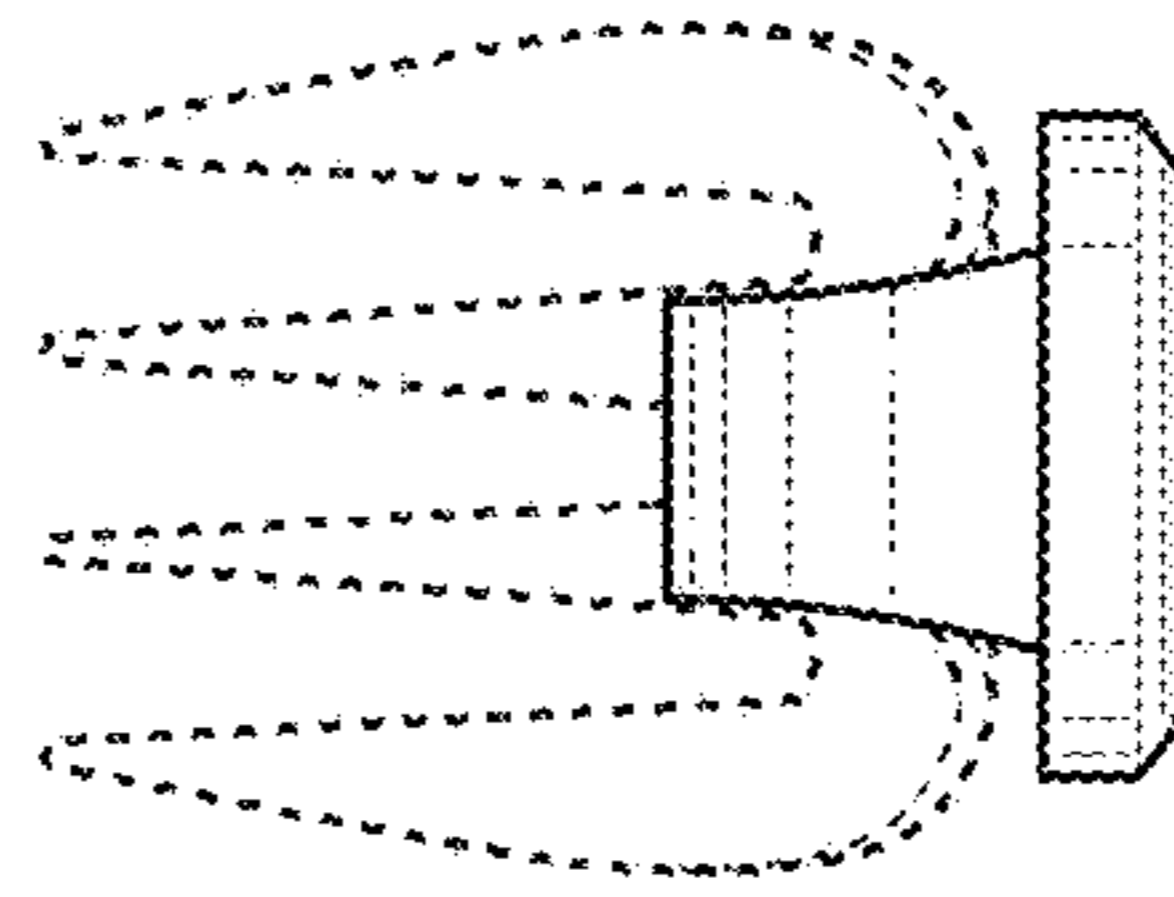


FIG. 14