

US00D832659S

(12) **United States Design Patent** (10) **Patent No.:** **US D832,659 S**
Liu et al. (45) **Date of Patent:** **** *Nov. 6, 2018**

(54) **KNIFE BLOCK**

(71) Applicant: **Calphalon Corporation**, Atlanta, GA (US)

(72) Inventors: **Andrew Q. Liu**, Alpharetta, GA (US);
Steven J. Muske, Marietta, GA (US)

(73) Assignee: **Calphalon Corporation**, Atlanta, GA (US)

(*) Notice: This patent is subject to a terminal disclaimer.

(**) Term: **15 Years**

(21) Appl. No.: **29/599,931**

(22) Filed: **Apr. 7, 2017**

Related U.S. Application Data

(63) Continuation of application No. 14/320,100, filed on Jun. 30, 2014, now Pat. No. 9,693,644.

(51) **LOC (11) Cl.** **07-99**

(52) **U.S. Cl.**
USPC **D7/637**

(58) **Field of Classification Search**
USPC D7/637-641; 30/298.4; 211/60.1, 70.6,
211/70.7; 248/37.3, 37.6
(Continued)

(56) **References Cited**

U.S. PATENT DOCUMENTS

D247,735 S * 4/1978 Gangelhoff D7/637
4,561,548 A * 12/1985 Call A47G 21/14
211/70.7

(Continued)

OTHER PUBLICATIONS

Calphalon Classic Self-Sharpening 6-Piece Knife Block Set, announced Jul. 2015, [online], site visited Aug. 22, 2017. Available from Internet, URL: <http://www.amazon.com> (Year: 2015).*

(Continued)

Primary Examiner — Derrick E Holland

Assistant Examiner — Janice Patyk

(74) *Attorney, Agent, or Firm* — Eversheds Sutherland (US) LLP

(57) **CLAIM**

The ornamental design for a knife block, as shown and described.

DESCRIPTION

FIG. 1 is a perspective view of a knife block, shown in use, showing our new design;

FIG. 2 is a perspective view of the knife block, shown with environmental knives removed;

FIG. 3 is a cross-sectional perspective view of the knife block, taken along line 3-3 of FIG. 2;

FIG. 4 is an exploded perspective view of the knife block;

FIG. 5 is an exploded rear perspective view of the knife block, shown without the block body for ease of illustration;

FIG. 6 is a partially enlarged front view of the knife block, taken from FIG. 2;

FIG. 7 is a right side view of the knife block, shown with environmental knives;

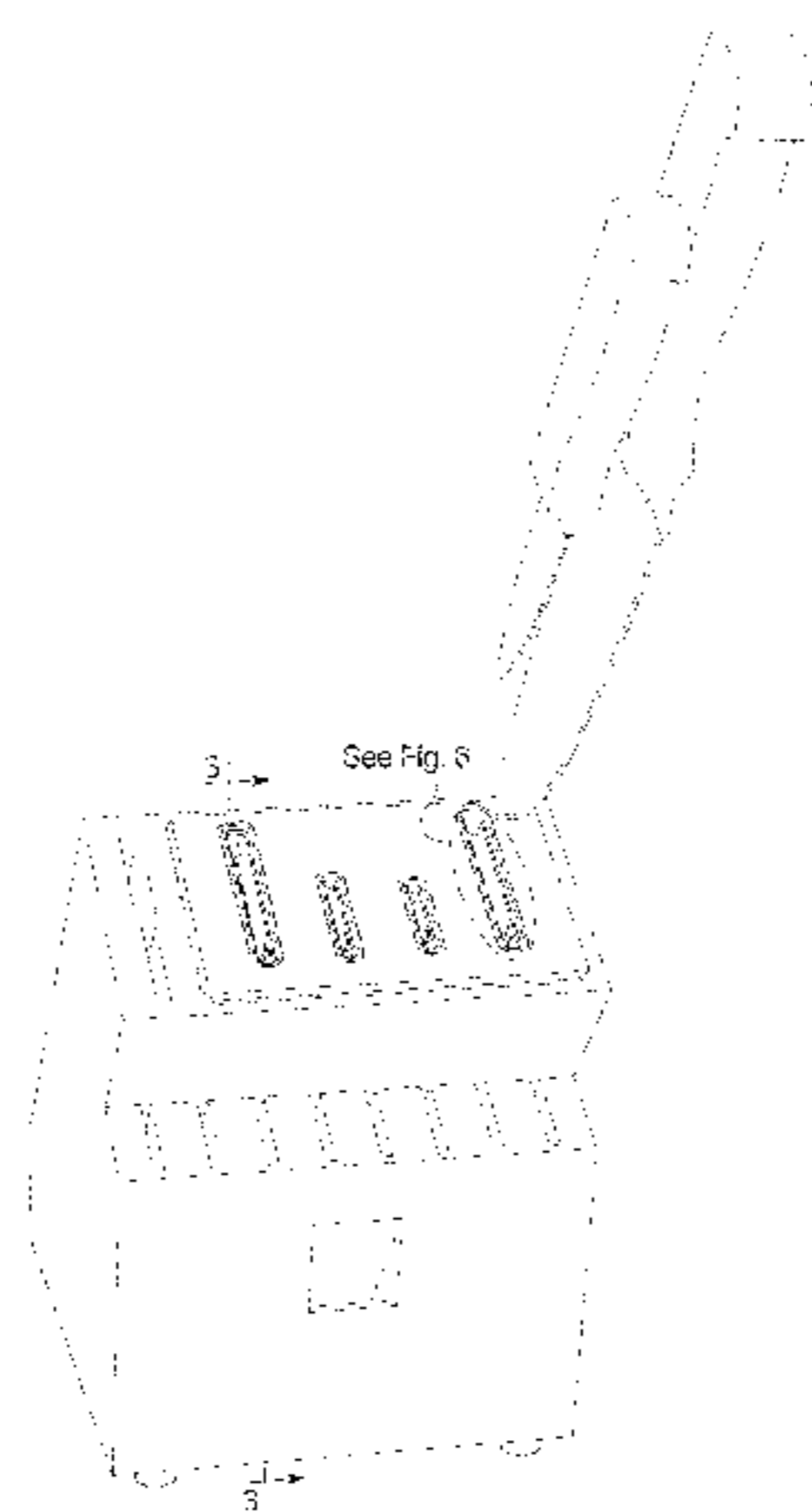
FIG. 8 is a left side view of the knife block, shown with environmental knives; and,

FIG. 9 is a cross-sectional left side view of the knife block, taken along line 9-9 of FIG. 8.

The broken lines on the knife block in the figures illustrate the portions of the design that form no part of the claimed design. The broken lines showing the knives in FIGS. 1, 2,

and 7-9 illustrate environmental subject matter that form no part of the claimed design. The dot-dash broken lines of FIGS. 2 and 6 are included to show a partially enlarged view only and form no part of the claimed design. The dot-dash broken lines of FIGS. 4 and 5 are included to show relationship of sharpening elements to knife block only and

(Continued)



form no part of the claimed design. None of the broken lines form any part of the claimed design.

1 Claim, 8 Drawing Sheets

(58) **Field of Classification Search**

CPC A47B 88/20; A47F 7/00; A47G 21/00;
A47G 21/14; B26B 3/00

See application file for complete search history.

(56) **References Cited**

U.S. PATENT DOCUMENTS

D382,774 S * 8/1997 Cohen D7/637
D434,615 S * 12/2000 Chien D7/637
6,394,627 B1 * 5/2002 Lo A47G 21/14
362/127
D471,072 S * 3/2003 Gordner D7/637
2007/0278165 A1 * 12/2007 Ranieri A47G 21/14
211/70.7
2008/0173772 A1 * 7/2008 Welch A47G 21/14
248/37.3

OTHER PUBLICATIONS

Calphalon Precision Self-Sharpener 15-Piece Knife Block Set, announced Jul. 2015, [online], site visited Aug. 22, 2017. Available from Internet, URL: <http://www.amazon.com> (Year: 2015).*

Chicago Cutlery Fusion Knife Block Set, announced Dec. 2010, [online], site visited Aug. 22, 2017. Available from Internet, URL: <http://www.amazon.com> (Year: 2010).*

* cited by examiner

FIG. 1

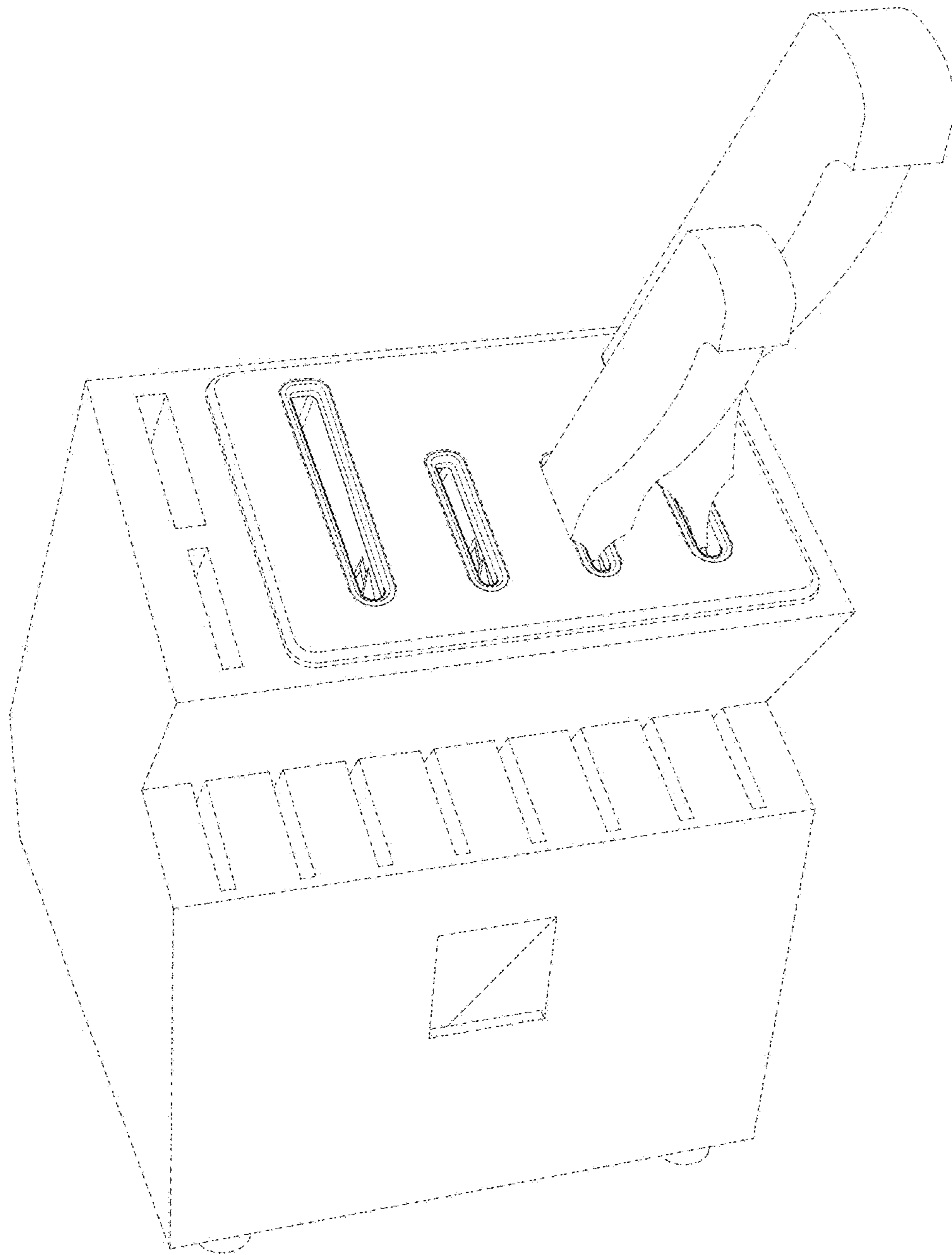


FIG. 2

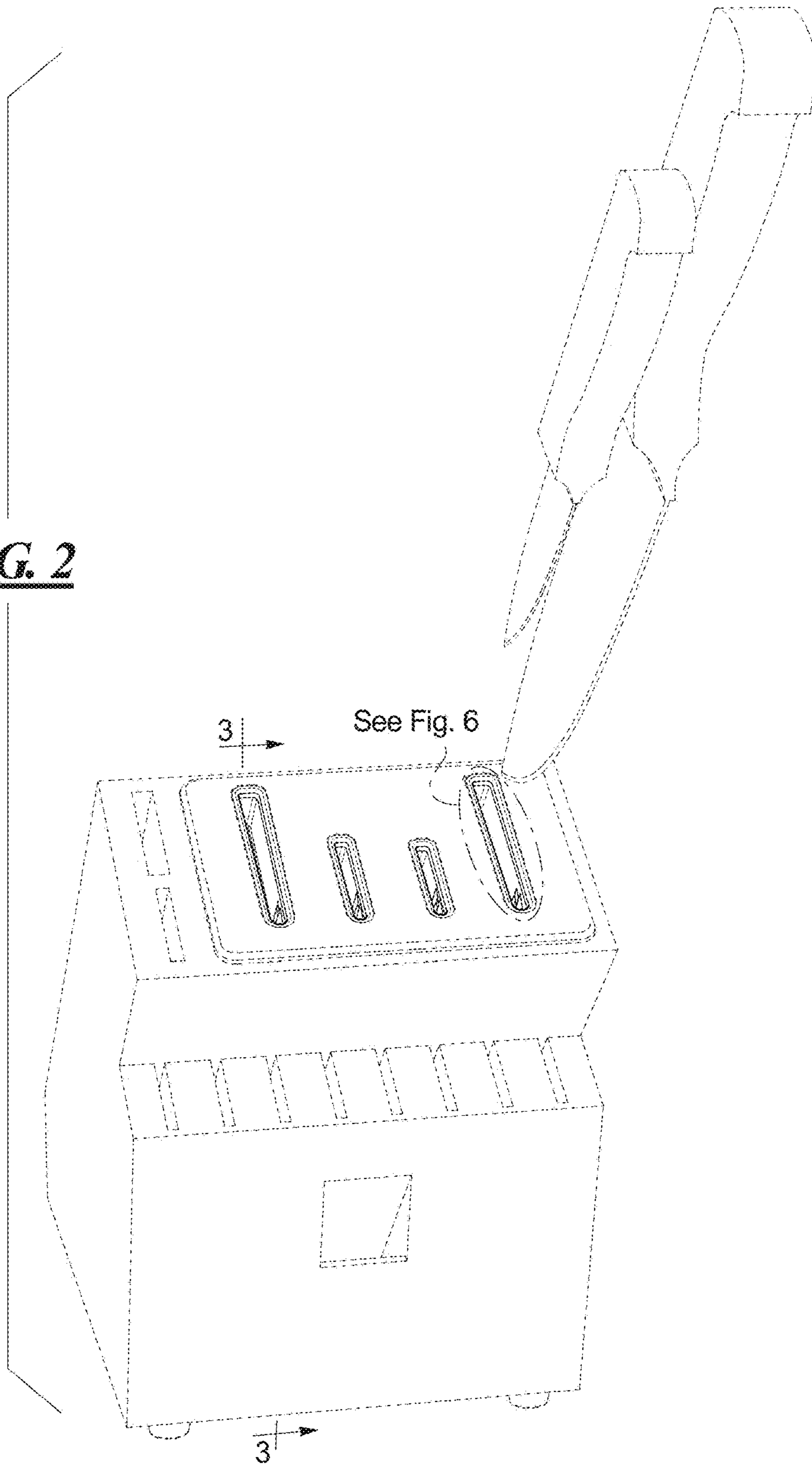


FIG. 3

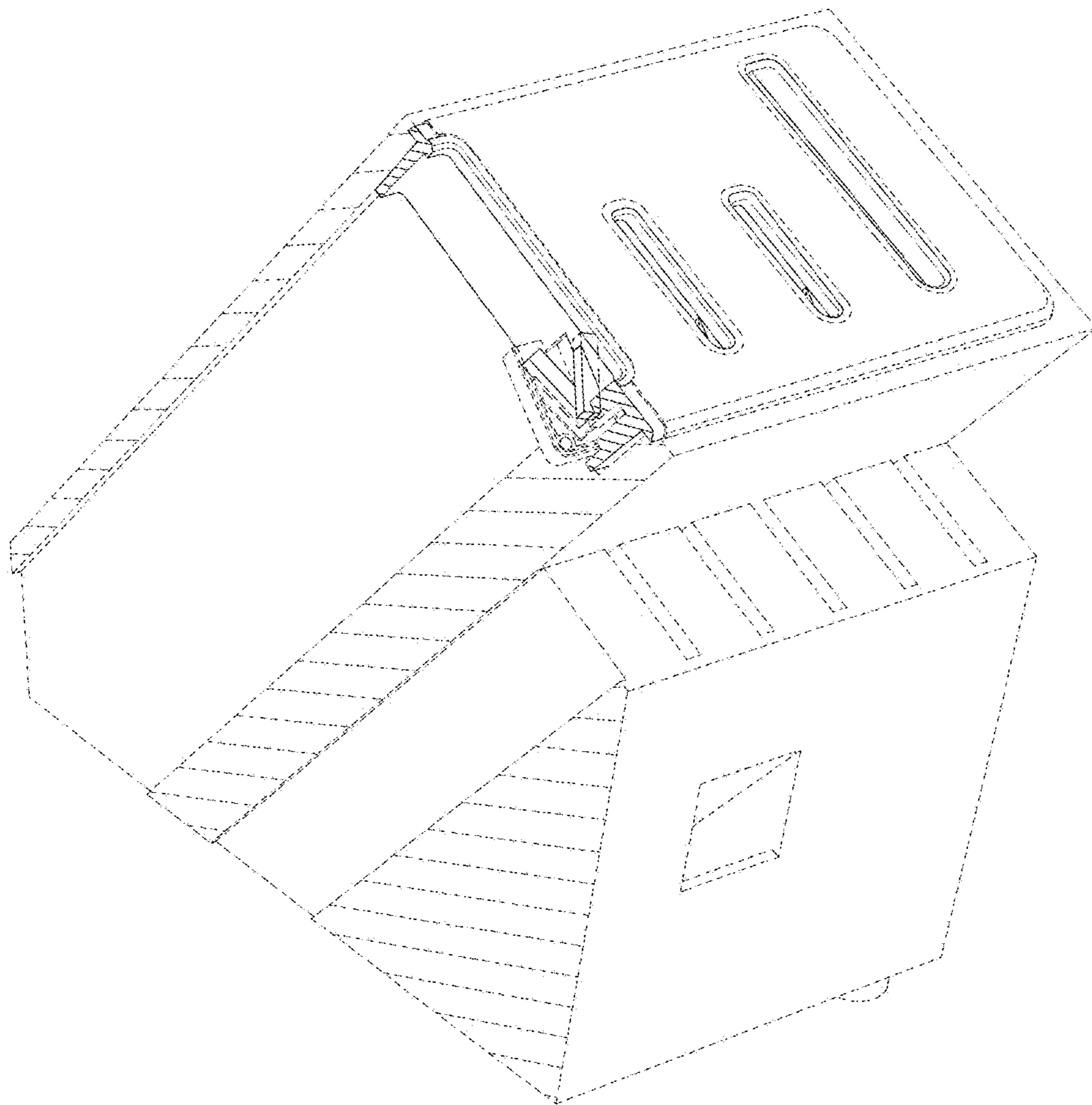
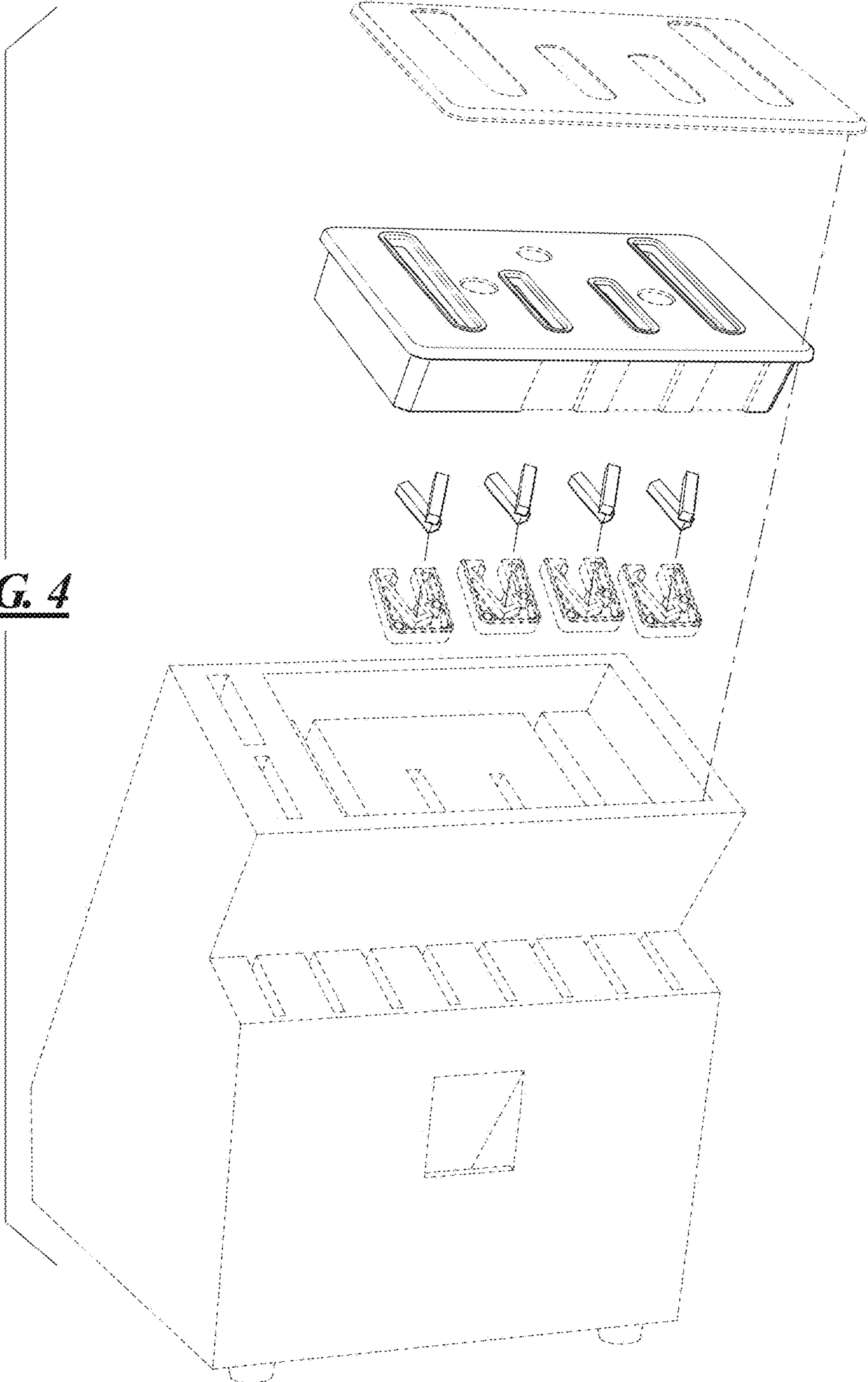


FIG. 4



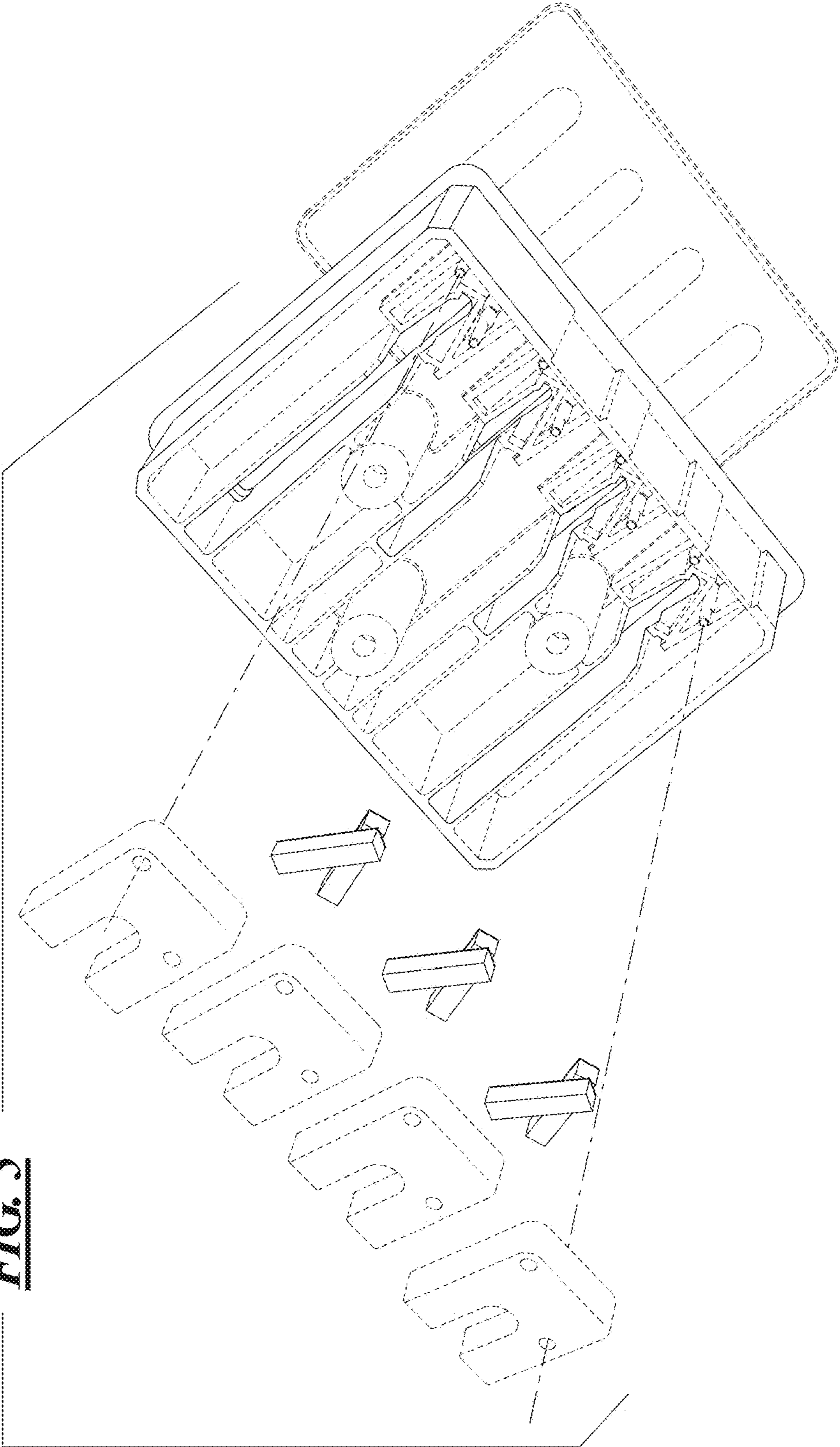


FIG. 5

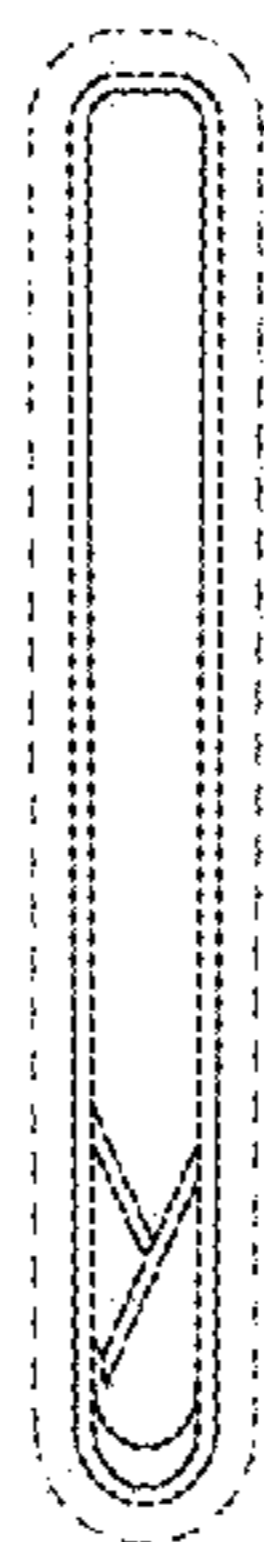


FIG. 6

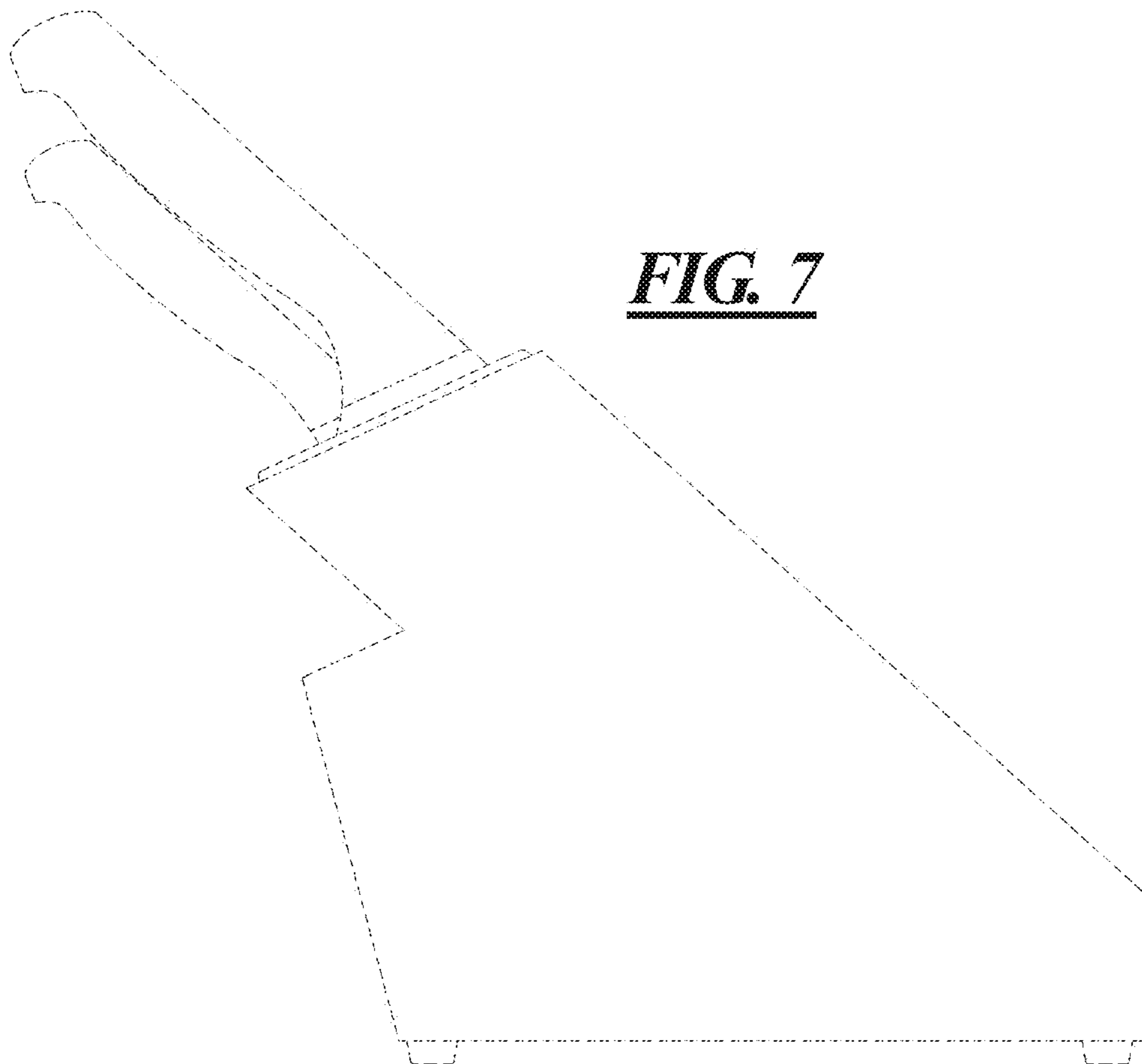


FIG. 7

FIG. 8

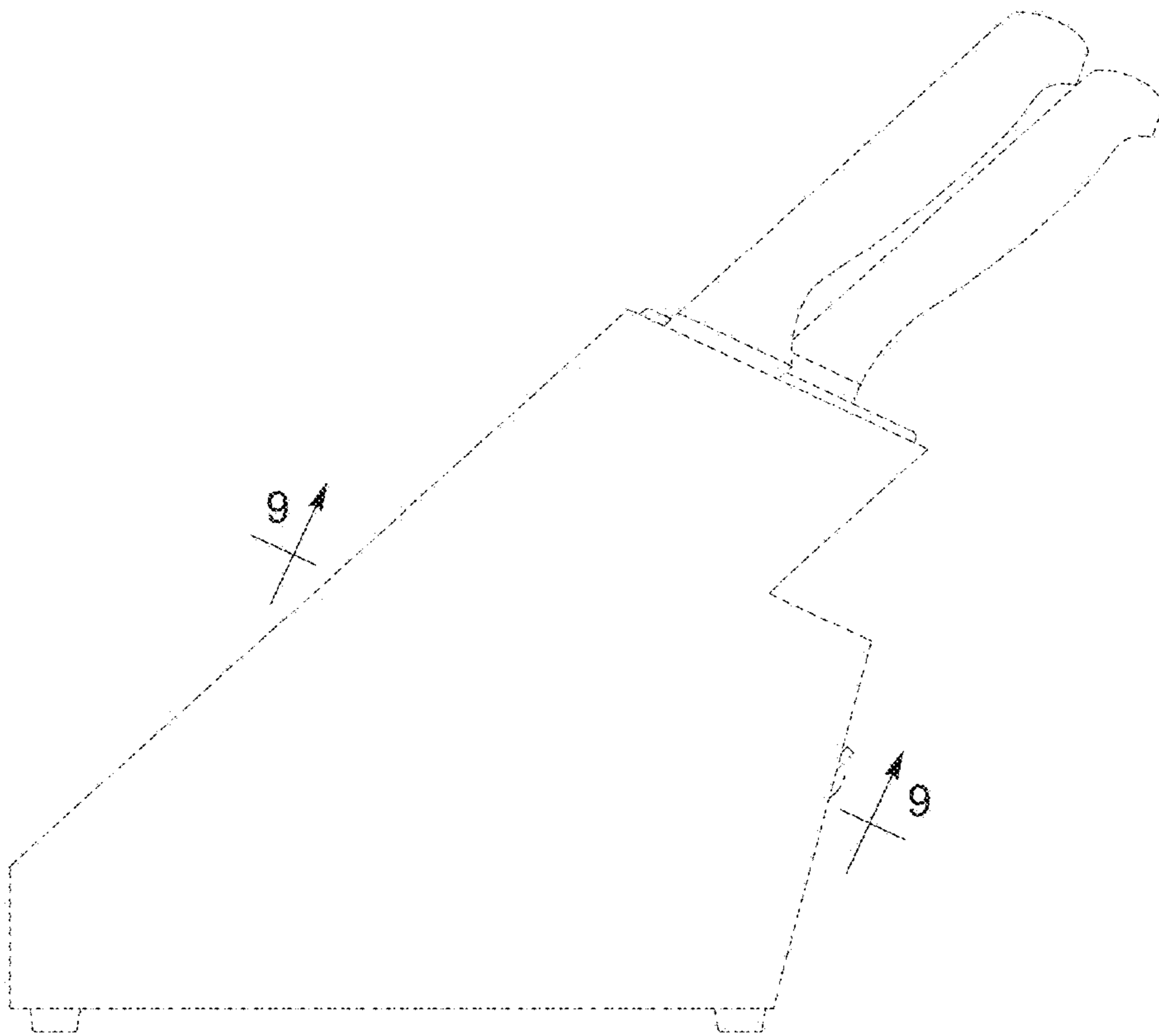


FIG. 9

