



US00D832658S

(12) **United States Design Patent** (10) **Patent No.:** **US D832,658 S**
Liu et al. (45) **Date of Patent:** **** *Nov. 6, 2018**

(54) **KNIFE BLOCK**

- (71) Applicant: **Calphalon Corporation**, Atlanta, GA (US)
- (72) Inventors: **Andrew Q. Liu**, Alpharetta, GA (US);
Steven J. Muske, Marietta, GA (US)
- (73) Assignee: **Calphalon Corporation**, Atlanta, GA (US)
- (*) Notice: This patent is subject to a terminal disclaimer.
- (**) Term: **15 Years**
- (21) Appl. No.: **29/599,868**
- (22) Filed: **Apr. 7, 2017**

Related U.S. Application Data

- (63) Continuation of application No. 14/320,100, filed on Jun. 30, 2014, now Pat. No. 9,693,644.
- (51) **LOC (11) Cl.** **07-99**
- (52) **U.S. Cl.**
USPC **D7/637**
- (58) **Field of Classification Search**
USPC D7/637-641; 30/298.4; 211/60.1, 70.6,
211/70.7; 248/37.3, 37.6
CPC A47B 88/20; A47F 7/00; A47G 21/00;
A47G 21/14; B26B 3/00
See application file for complete search history.

(56) **References Cited**

U.S. PATENT DOCUMENTS

- D247,735 S * 4/1978 Gangelhoff D7/637
- 4,561,548 A * 12/1985 Call A47G 21/14
211/70.7
- D382,774 S * 8/1997 Cohen D7/637
- D434,615 S * 12/2000 Chien D7/637
- 6,394,627 B1 * 5/2002 Lo A47G 21/14
362/127
- D471,072 S * 3/2003 Gordner D7/637

(Continued)

OTHER PUBLICATIONS

Calphalon Classic Self-Sharpening 6-Piece Knife Block Set, announced Jul. 2015, [online], site visited Aug. 22, 2017. Available from Internet, URL: <http://www.amazon.com> (Year: 2015).*

(Continued)

Primary Examiner — Derrick E Holland

Assistant Examiner — Janice Patyk

(74) *Attorney, Agent, or Firm* — Eversheds Sutherland (US) LLP

(57) **CLAIM**

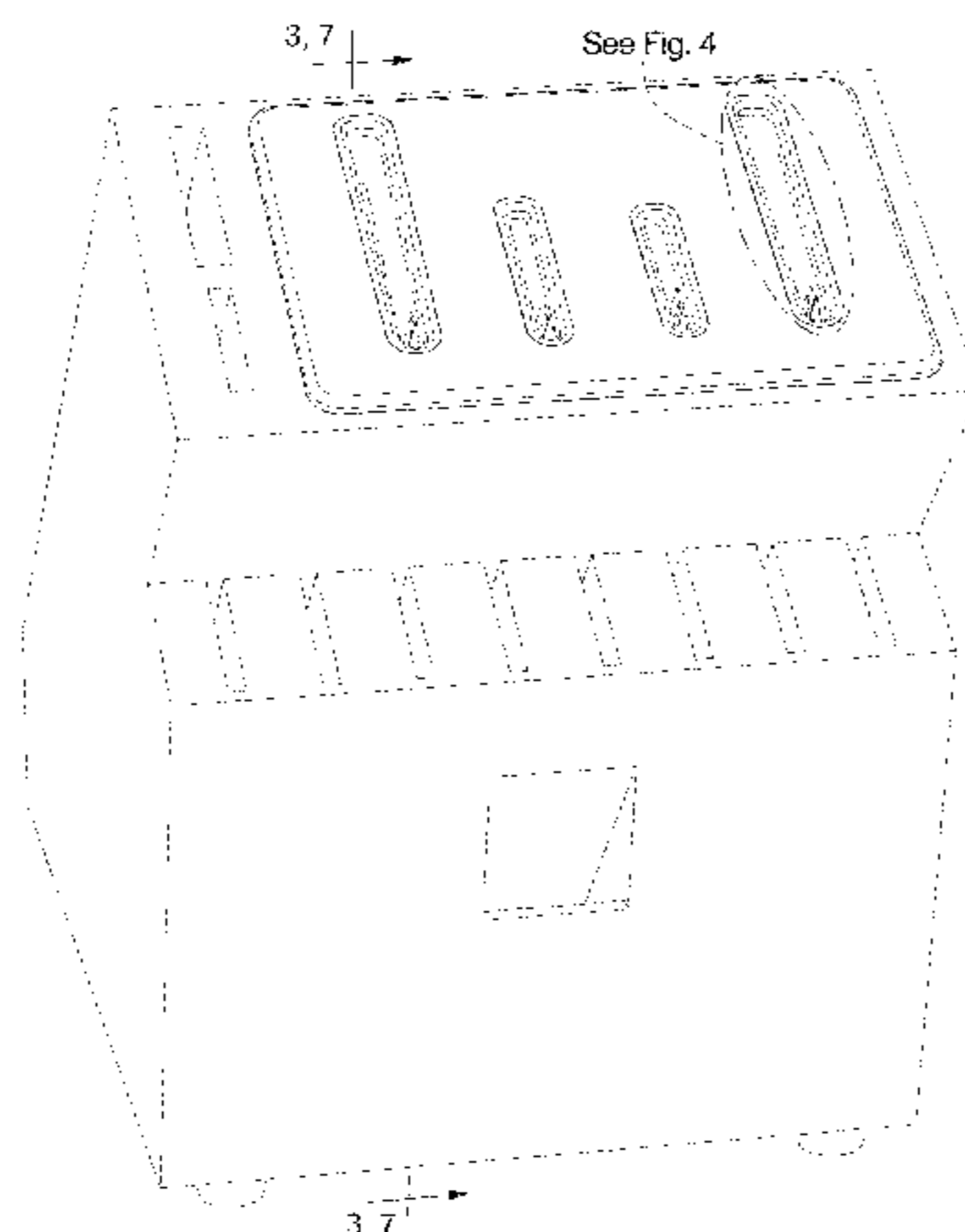
The ornamental design for a knife block, as shown and described.

DESCRIPTION

FIG. 1 is a perspective view of a knife block, shown in use, showing our new design;
 FIG. 2 is a perspective view of the knife block;
 FIG. 3 is a cross-sectional perspective view of the knife block, taken along line 3-3 of FIG. 2;
 FIG. 4 is a partially enlarged front view of the knife block, taken from FIG. 2;
 FIG. 5 is a right side view of the knife block;
 FIG. 6 is a left side view of the knife block; and,
 FIG. 7 is a cross-sectional left side view of the knife block, also taken along line 7-7 of FIG. 2.

The broken lines in the figures illustrate the portions of the design that form no part of the claimed design. The broken lines showing the knives and scissors in FIG. 1 illustrate environmental subject matter that form no part of the claimed design. The dot-dash broken lines of FIGS. 2 and 4 are included to show a partially enlarged view only and form no part of the claimed design. None of the broken lines form any part of the claimed design.

1 Claim, 5 Drawing Sheets



(56)

References Cited

U.S. PATENT DOCUMENTS

2007/0278165 A1* 12/2007 Ranieri A47G 21/14
211/70.7
2008/0173772 A1* 7/2008 Welch A47G 21/14
248/37.3

OTHER PUBLICATIONS

Calphalon Precision Self-Sharpening 15-Piece Knife Block Set, announced Jul. 2015, [online], site visited Aug. 22, 2017. Available from Internet, URL: <http://www.amazon.com> (Year: 2015).*

Chicago Cutlery Fusion Knife Block Set, announced Dec. 2010, [online], site visited Aug. 22, 2017. Available from Internet, URL: <http://www.amazon.com> (Year: 2010).*

* cited by examiner

FIG. 1

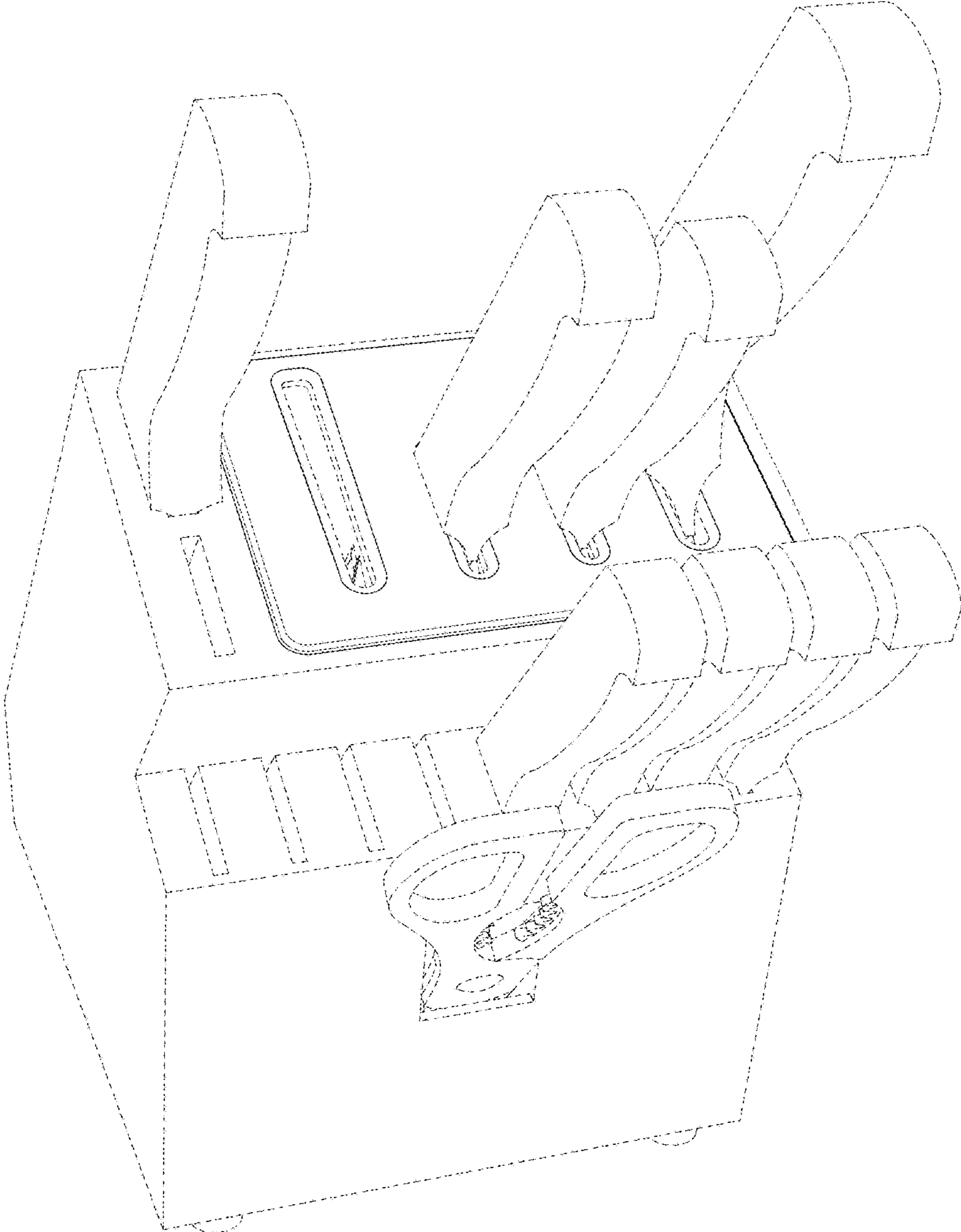


FIG. 2

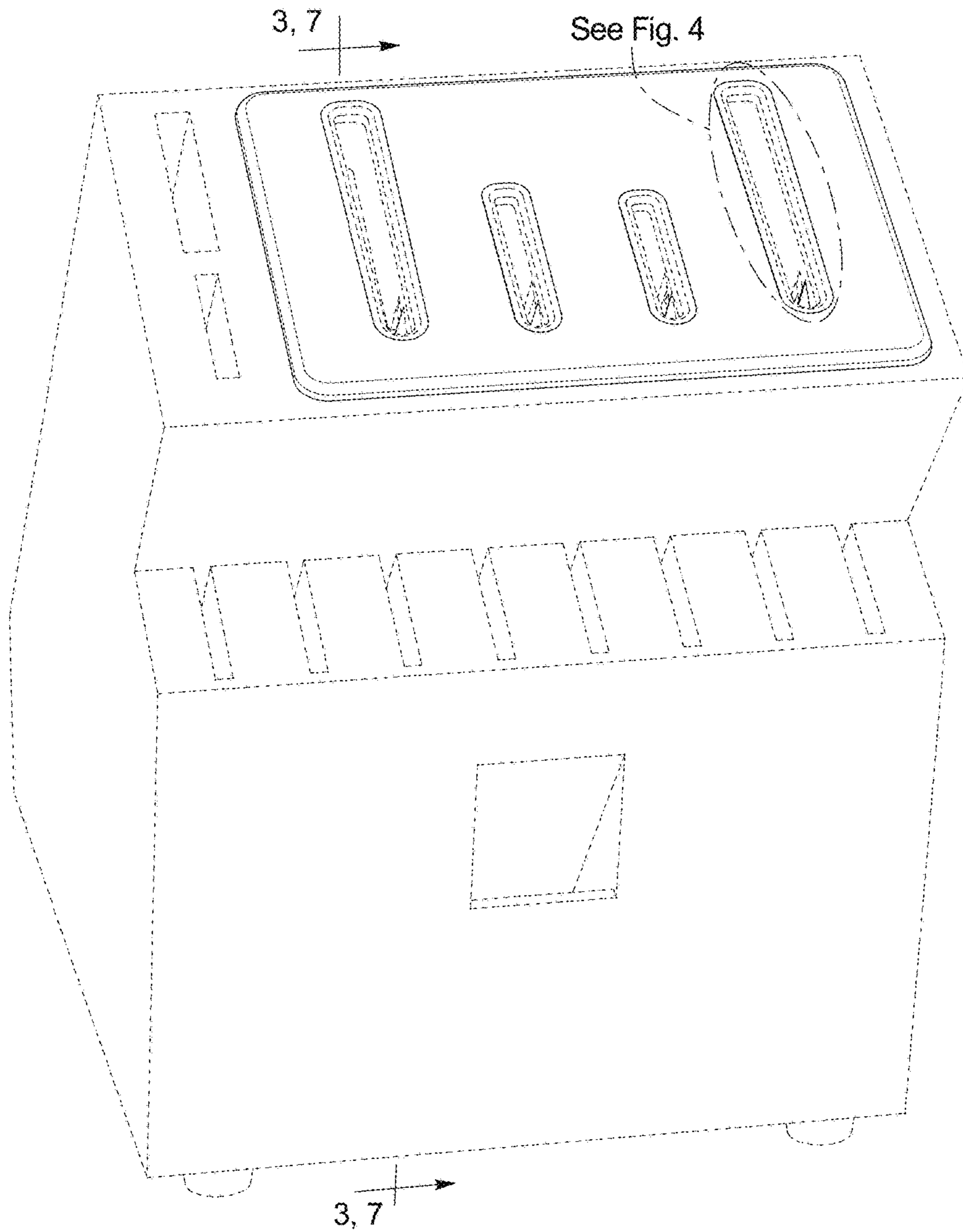
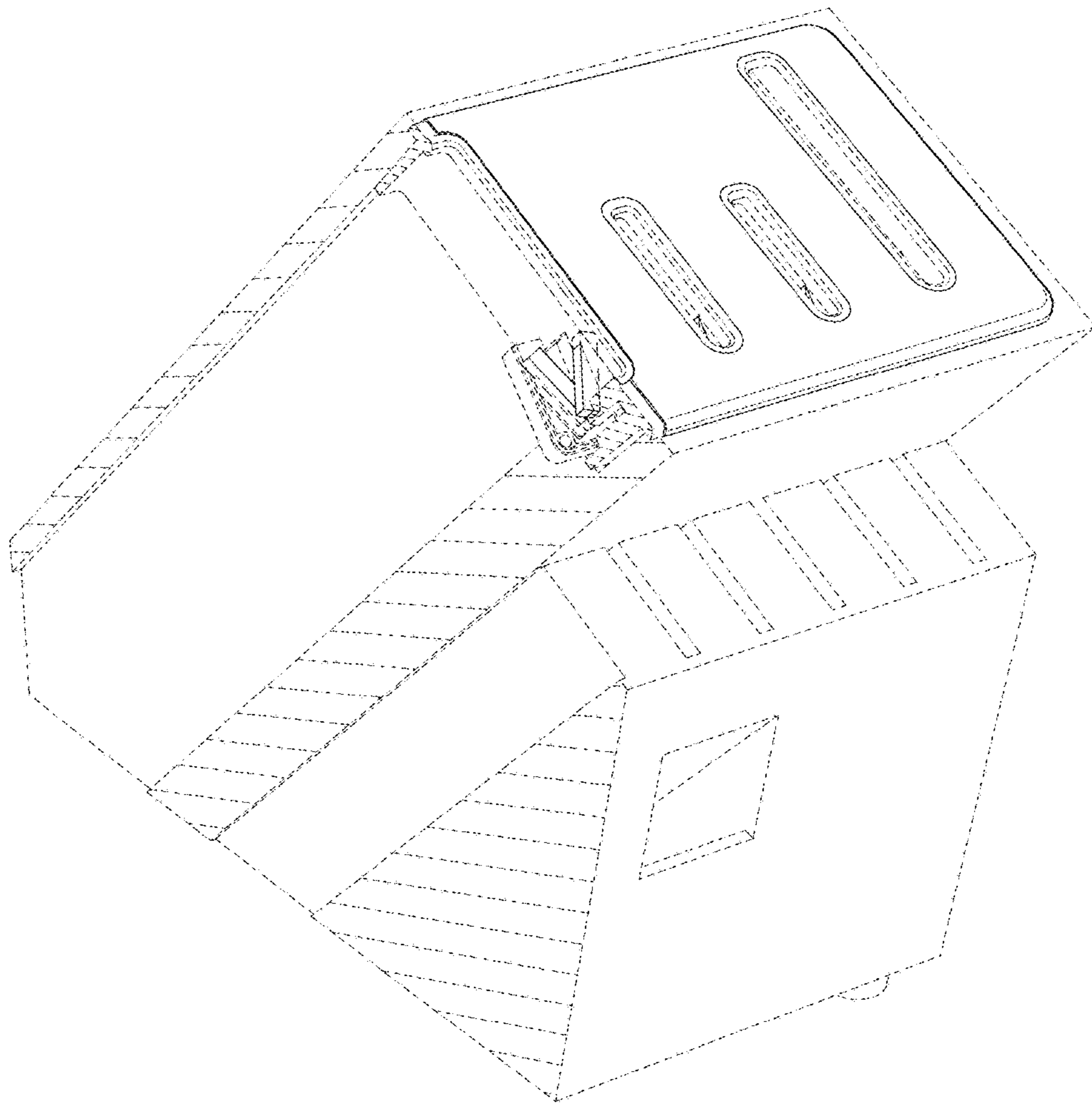


FIG. 3



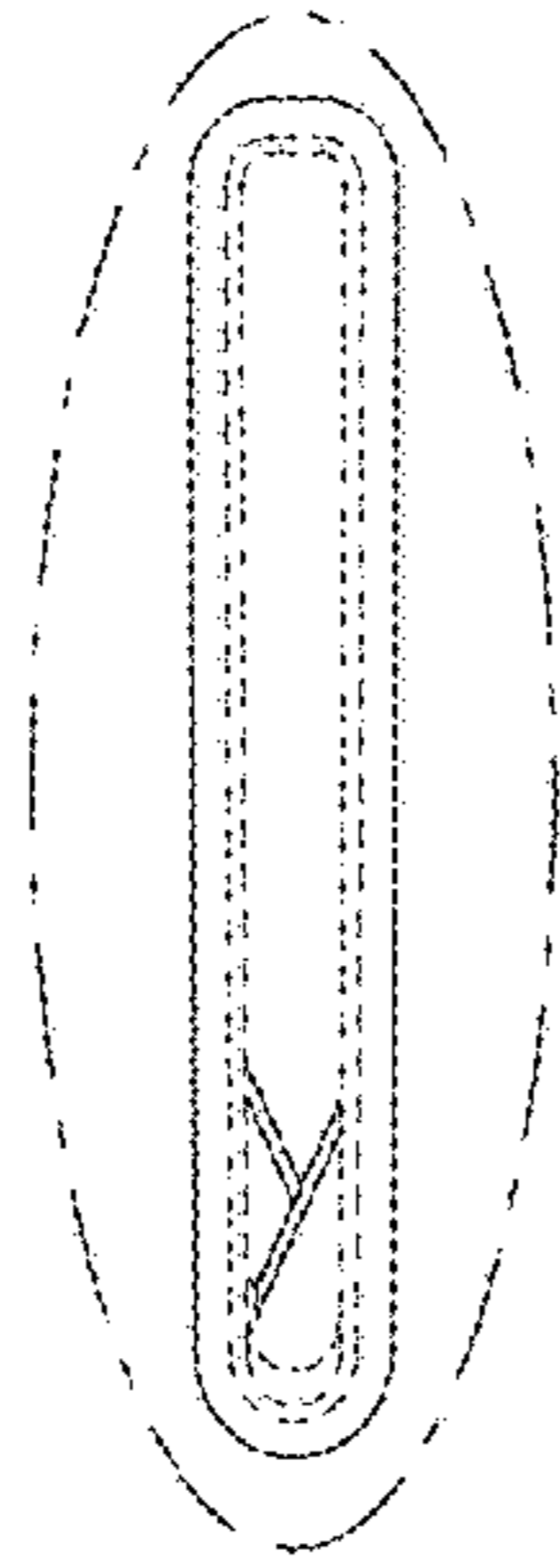


FIG. 4

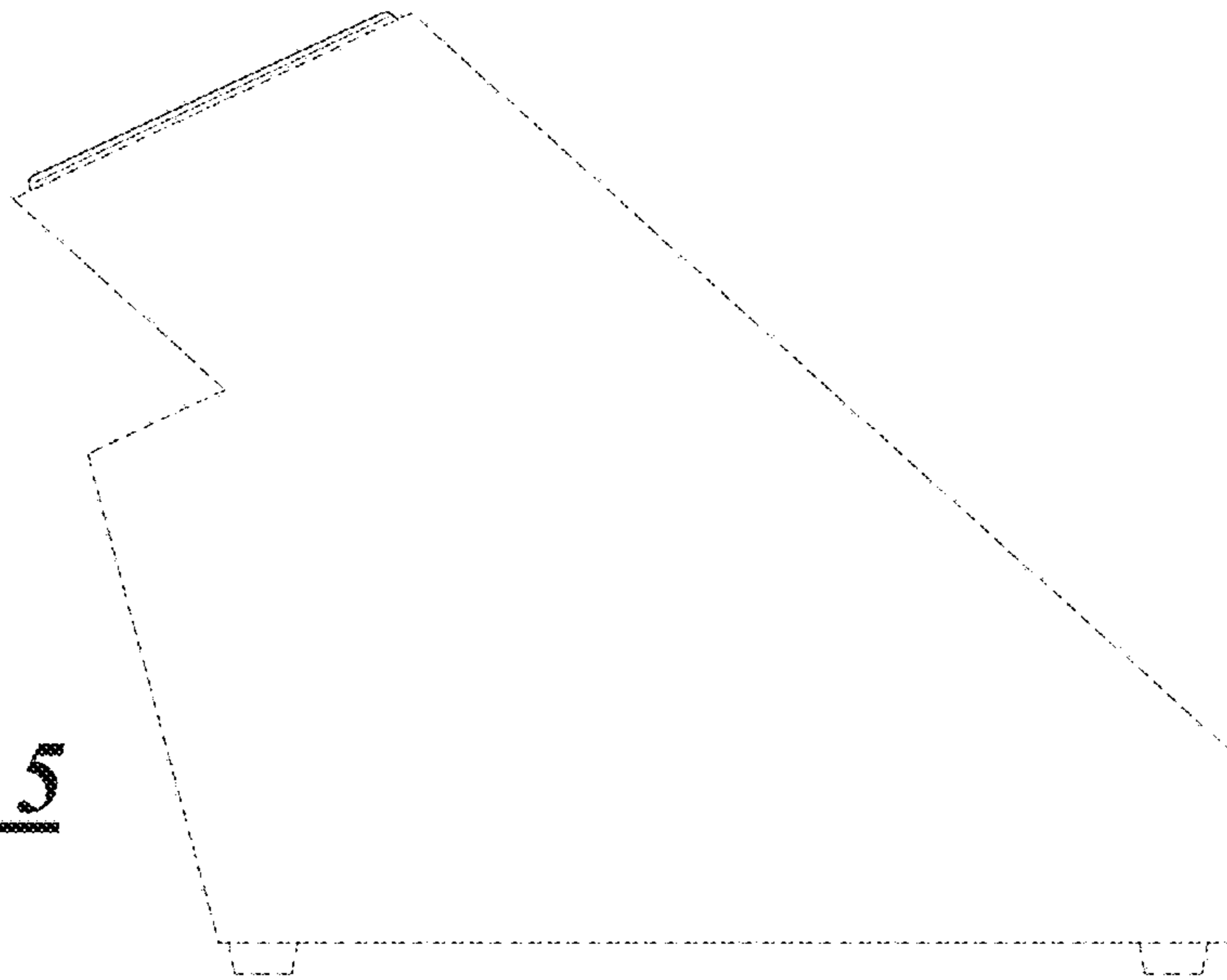


FIG. 5

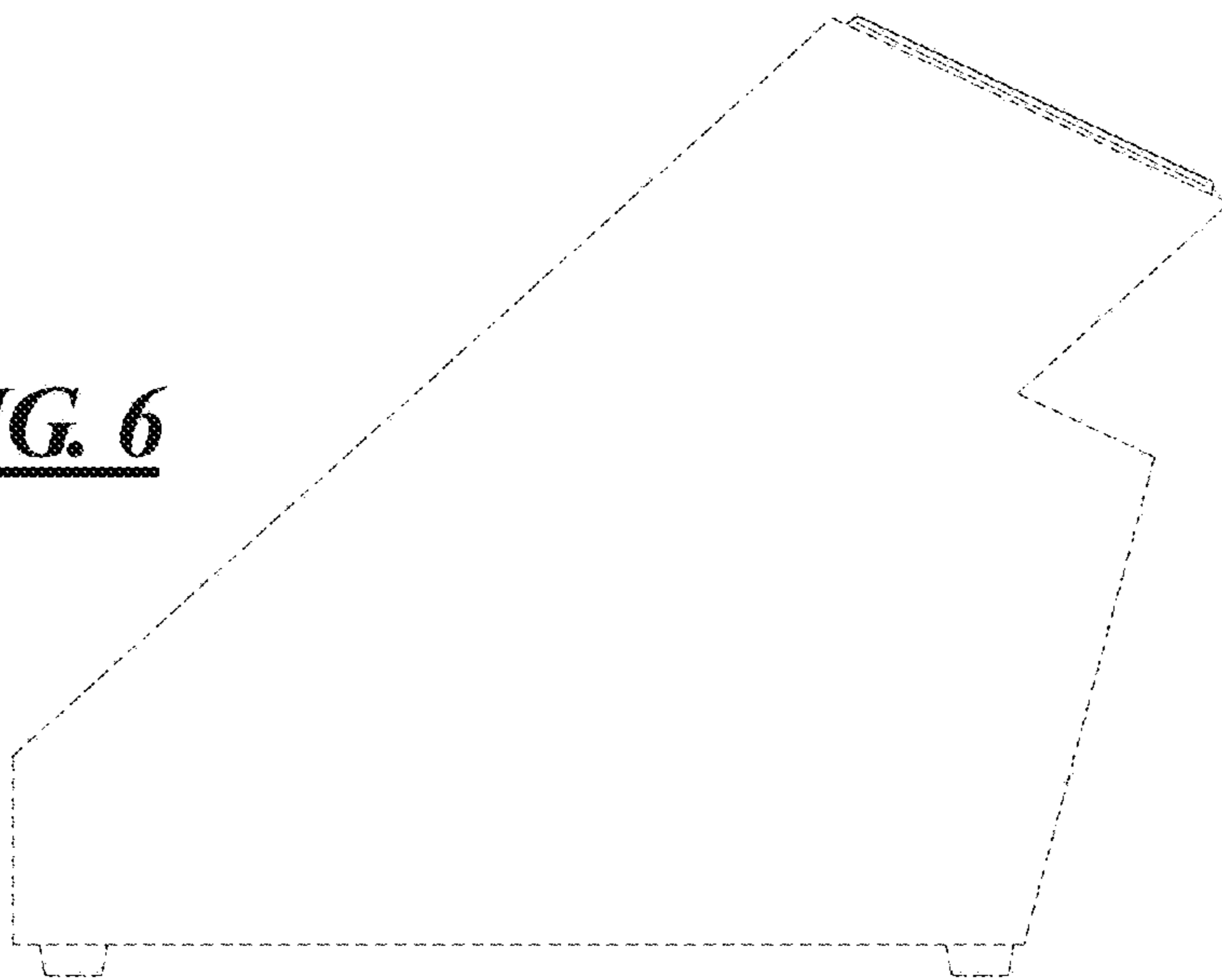


FIG. 6

FIG. 7

