



US00D832657S

(12) **United States Design Patent** (10) **Patent No.:** **US D832,657 S**
Audet et al. (45) **Date of Patent:** **** Nov. 6, 2018**

(54) **POT CLIP**
(71) Applicant: **EDGE DESIGN GLOBAL ENTERPRISES INC.**, Zhejiang (CN)

D636,661 S * 4/2011 Marmas D8/395
D675,337 S * 1/2013 Peplow D24/227
D709,195 S * 7/2014 Peck D24/143
2005/0155191 A1 * 7/2005 Asano B60R 13/0206
24/297

(72) Inventors: **Steven Audet**, St-Bruno (CA); **Fred Hollinger**, Monroe Township, NJ (US)

OTHER PUBLICATIONS

(73) Assignee: **EDGE DESIGN GLOBAL ENTERPRISES INC.**, Zhejiang (CN)

Jole Clip-One Spoon Rest, announced Feb. 2011, [online], site visited Aug. 22, 2017. Available from Internet, <URL: http://www.amazon.com>.*

(**) Term: **15 Years**

Norpro Spoon Pot Clip, announced Dec. 2003, [online], site visited Aug. 22, 2017. Available from Internet, <URL: http://www.amazon.com>.*

(21) Appl. No.: **29/584,473**

* cited by examiner

(22) Filed: **Nov. 15, 2016**

(51) **LOC (11) Cl.** **07-99**

Primary Examiner — Derrick E Holland

(52) **U.S. Cl.**
USPC **D7/637**

Assistant Examiner — Janice Patyk

(58) **Field of Classification Search**
USPC D7/637-641; 30/298.4; 211/60.1, 70.6,
211/70.7; 248/37.3, 37.6; D8/394, 395,
D8/398; D24/143; D32/61
CPC A47B 88/20; A47F 7/00; A47G 21/00;
A47G 21/14; B26B 3/00; B60R 13/0206

(74) *Attorney, Agent, or Firm* — Law Office of Gerard F. Dunne; Gerard Dunne

See application file for complete search history.

(57) **CLAIM**

The ornamental design for a pot clip, substantially as shown and described.

(56) **References Cited**

DESCRIPTION

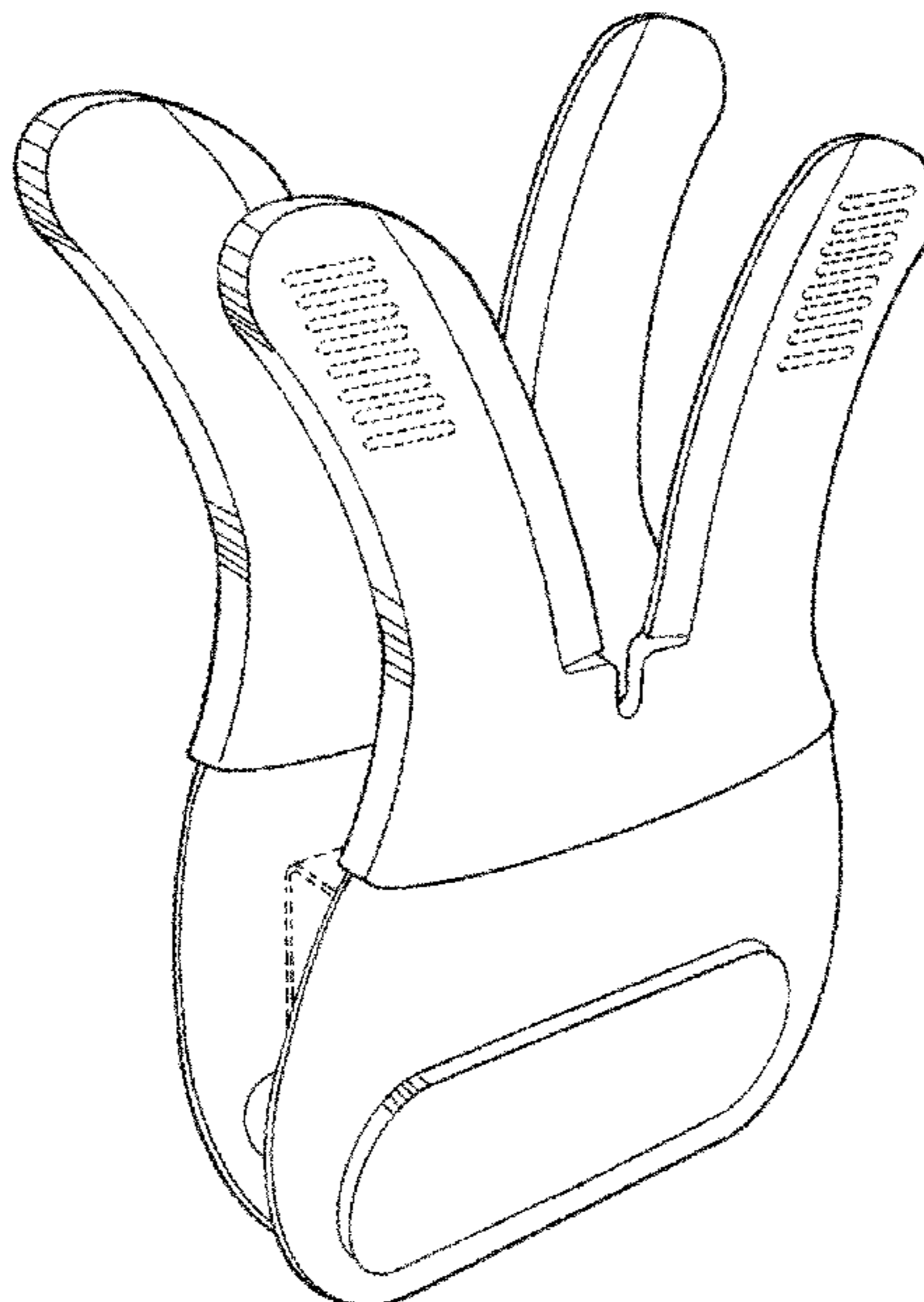
U.S. PATENT DOCUMENTS

2,615,318 A * 10/1952 Gray A47G 21/145
248/37.3
D351,123 S * 10/1994 Graham D12/51
D360,053 S * 7/1995 Wilborn, II D28/38
D374,170 S * 10/1996 Slaski D32/61
D457,409 S * 5/2002 Noniewicz D8/395
D610,684 S * 2/2010 Gaydos D24/143

FIG. 1 is a perspective view of a pot clip, according to the present invention;
FIG. 2 is a front elevational view thereof;
FIG. 3 is a rear elevational view thereof;
FIG. 4 is a top plan view thereof;
FIG. 5 is a bottom plan view thereof; and,
FIG. 6 is a side elevational view thereof; the opposite side elevational view being identical.

The broken lines in the figures illustrate the portions of the design that form no part of the claimed design.

1 Claim, 6 Drawing Sheets



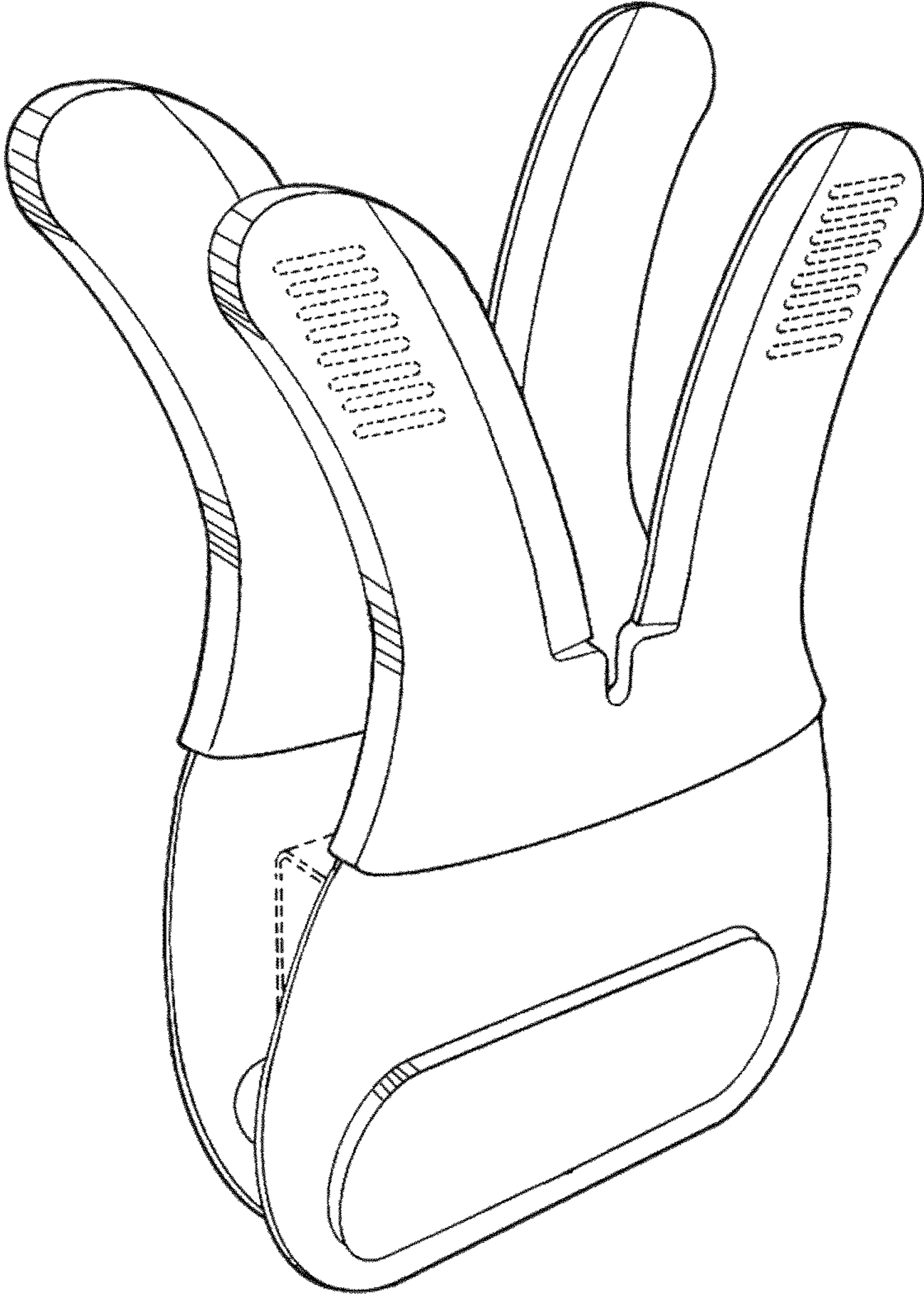


Fig. 1

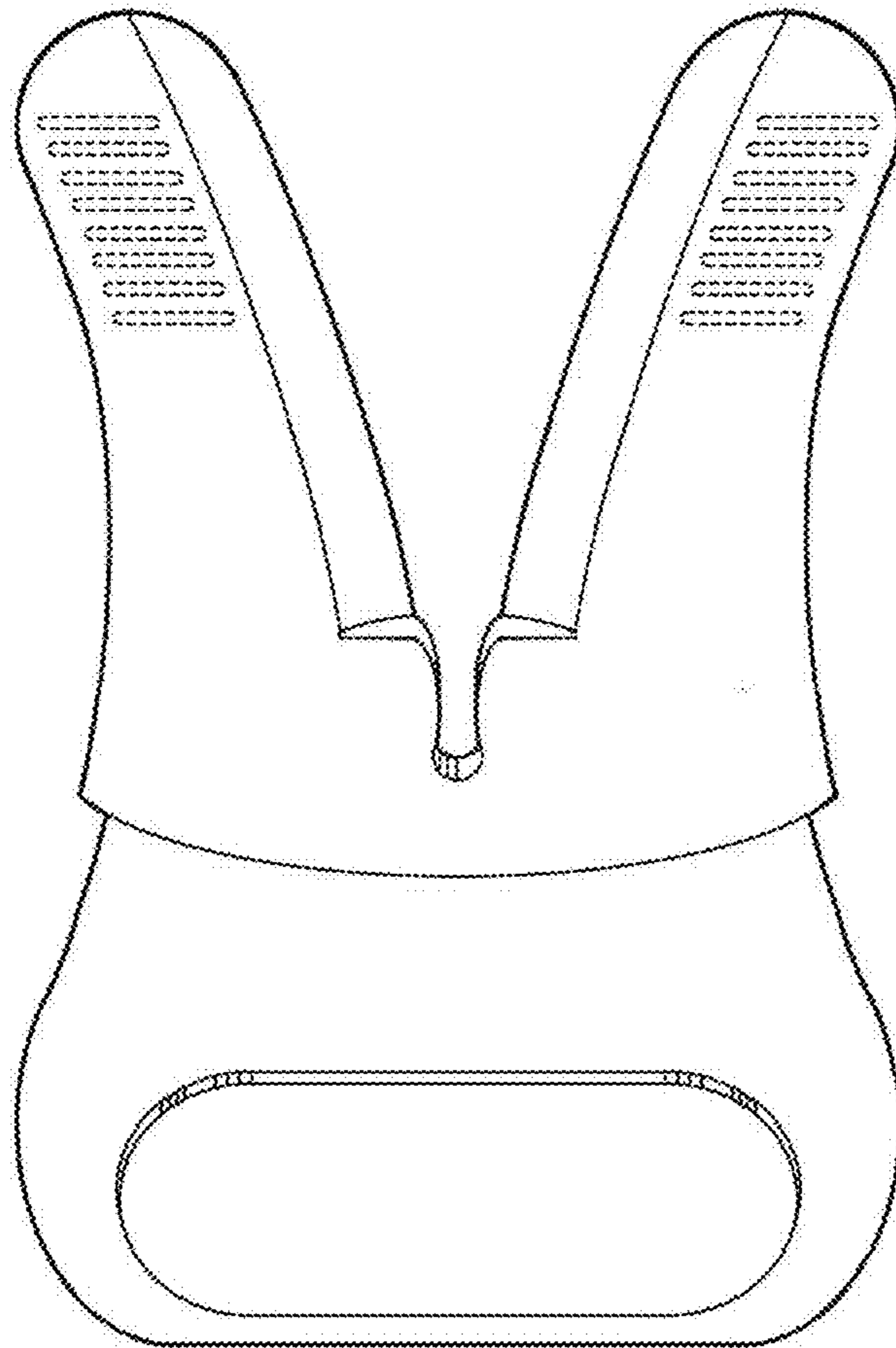


Fig. 2

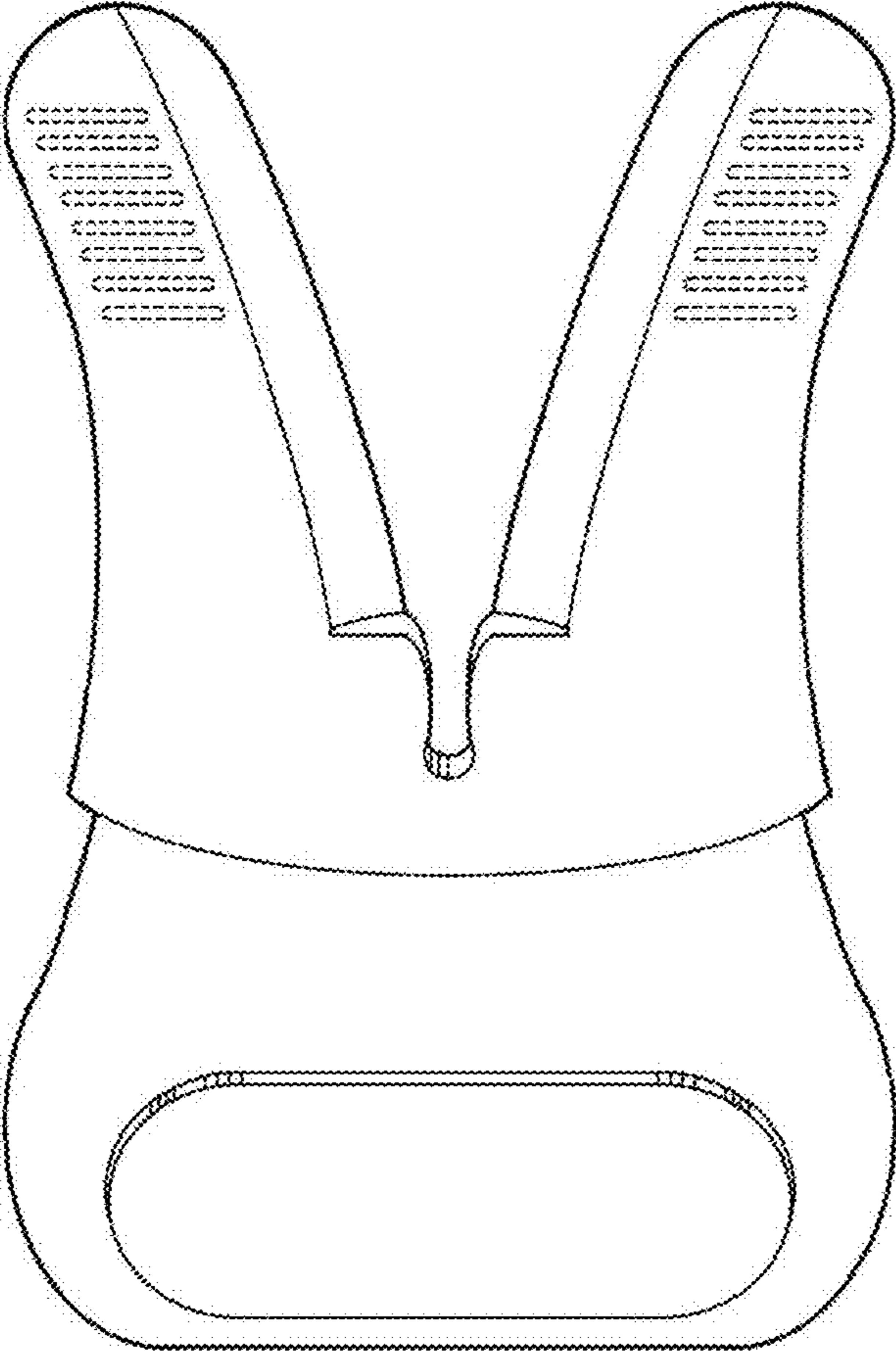


Fig. 3

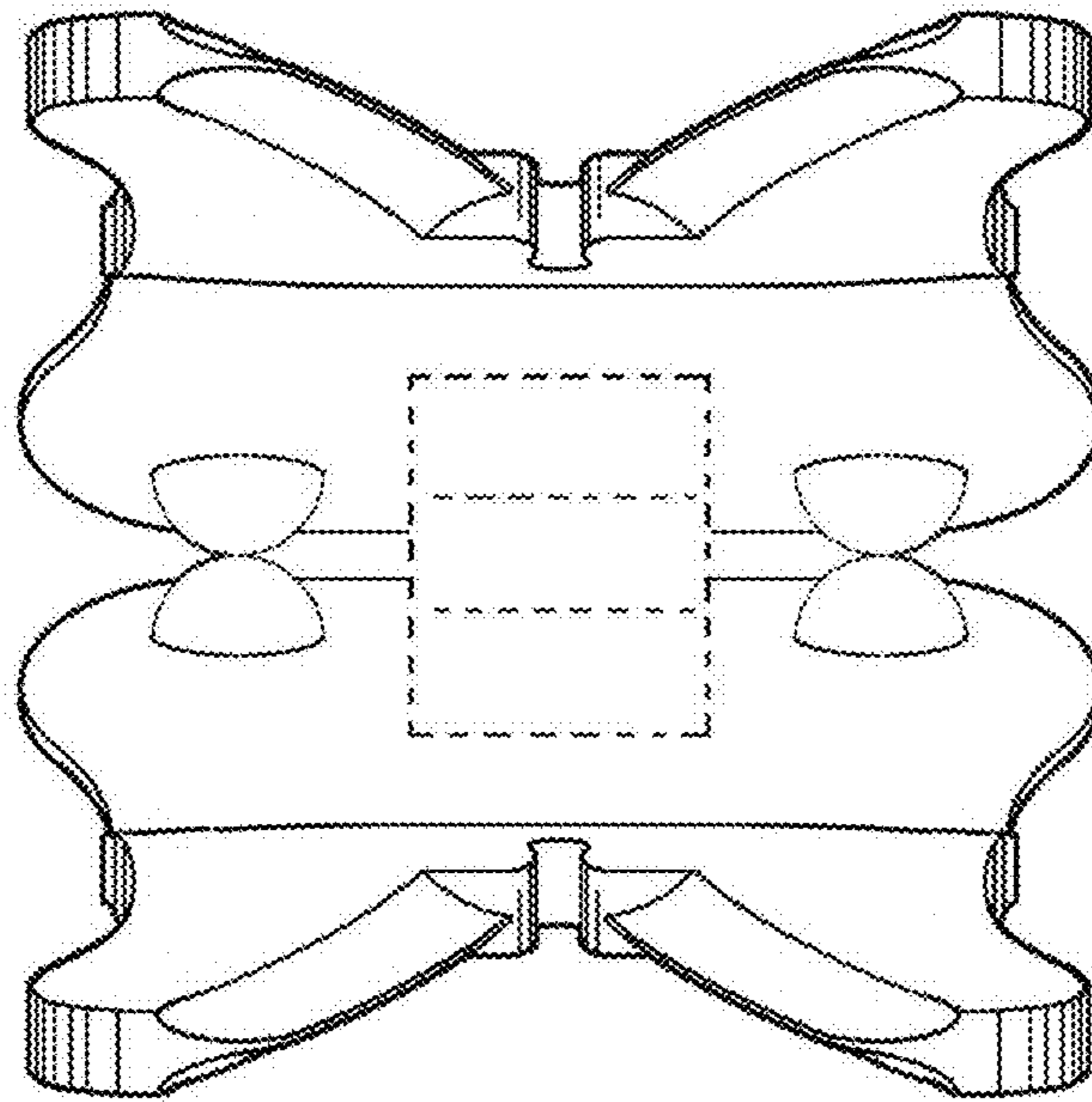


Fig. 4

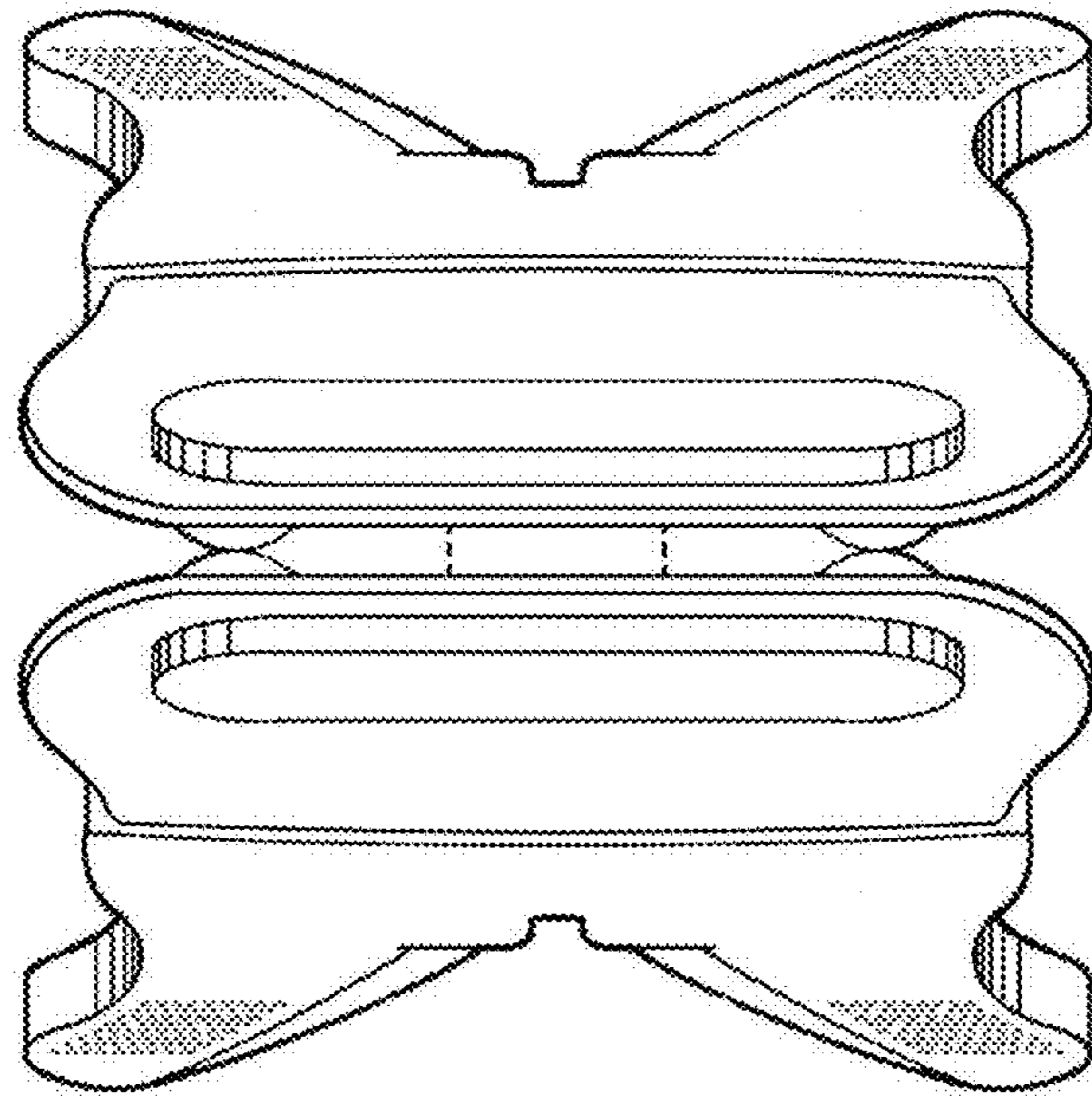


Fig. 5

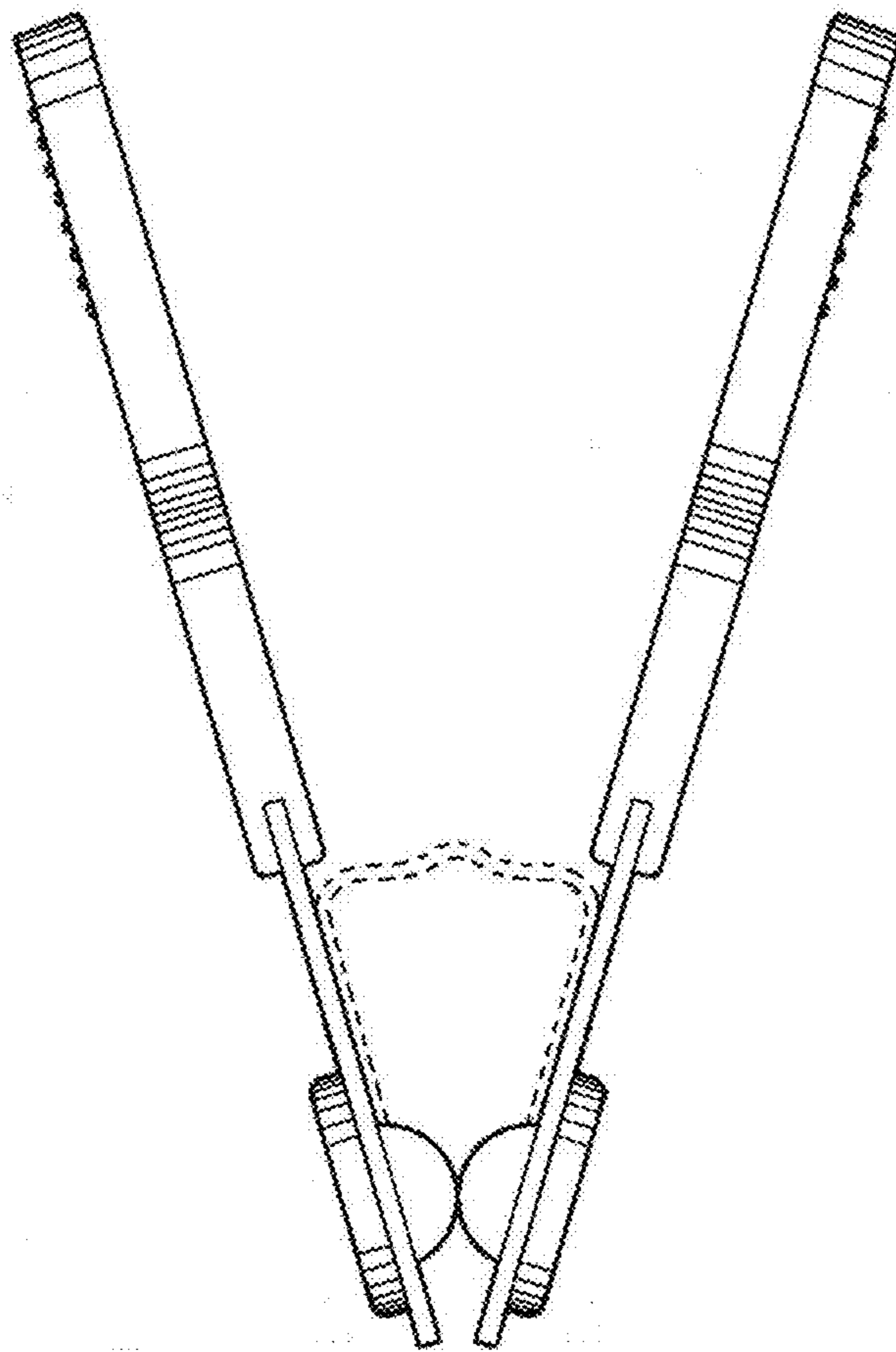


Fig. 6