



US00D832656S

(12) **United States Design Patent**
Sun et al.

(10) **Patent No.:** **US D832,656 S**

(45) **Date of Patent:** **** Nov. 6, 2018**

(54) **LUNCH BOX**

(71) Applicant: **SHANDONG LINUO TECHNICAL GLASS CO., LTD**, Shandong (CN)

(72) Inventors: **Muhua Sun**, Shandong (CN); **Junping Xue**, Shandong (CN); **Shufa Gao**, Shandong (CN); **Weitao Jia**, Shandong (CN); **Lijun Zhao**, Shandong (CN)

(73) Assignee: **SHANDONG LINUO TECHNICAL GLASS CO., LTD**, Shandong (CN)

(**) Term: **15 Years**

(21) Appl. No.: **29/587,690**

(22) Filed: **Dec. 15, 2016**

(51) **LOC (11) Cl.** **07-07**

(52) **U.S. Cl.**
USPC **D7/629**

(58) **Field of Classification Search**
USPC D7/629, 538-542, 601, 602, 630, 608;
D9/415-419, 424-432; D8/306; 62/3.62,
(Continued)

(56) **References Cited**

U.S. PATENT DOCUMENTS

D590,666 S * 4/2009 Wang D7/629
D607,284 S * 1/2010 Ho D7/629
(Continued)

Primary Examiner — Wan Laymon

Assistant Examiner — Mark Booker

(74) *Attorney, Agent, or Firm* — JCIPRNET

(57) **CLAIM**

The ornamental design for a lunch box, as shown and described.

DESCRIPTION

FIG. 1 is an exploded perspective view of a lunch box showing a first embodiment of our new design;

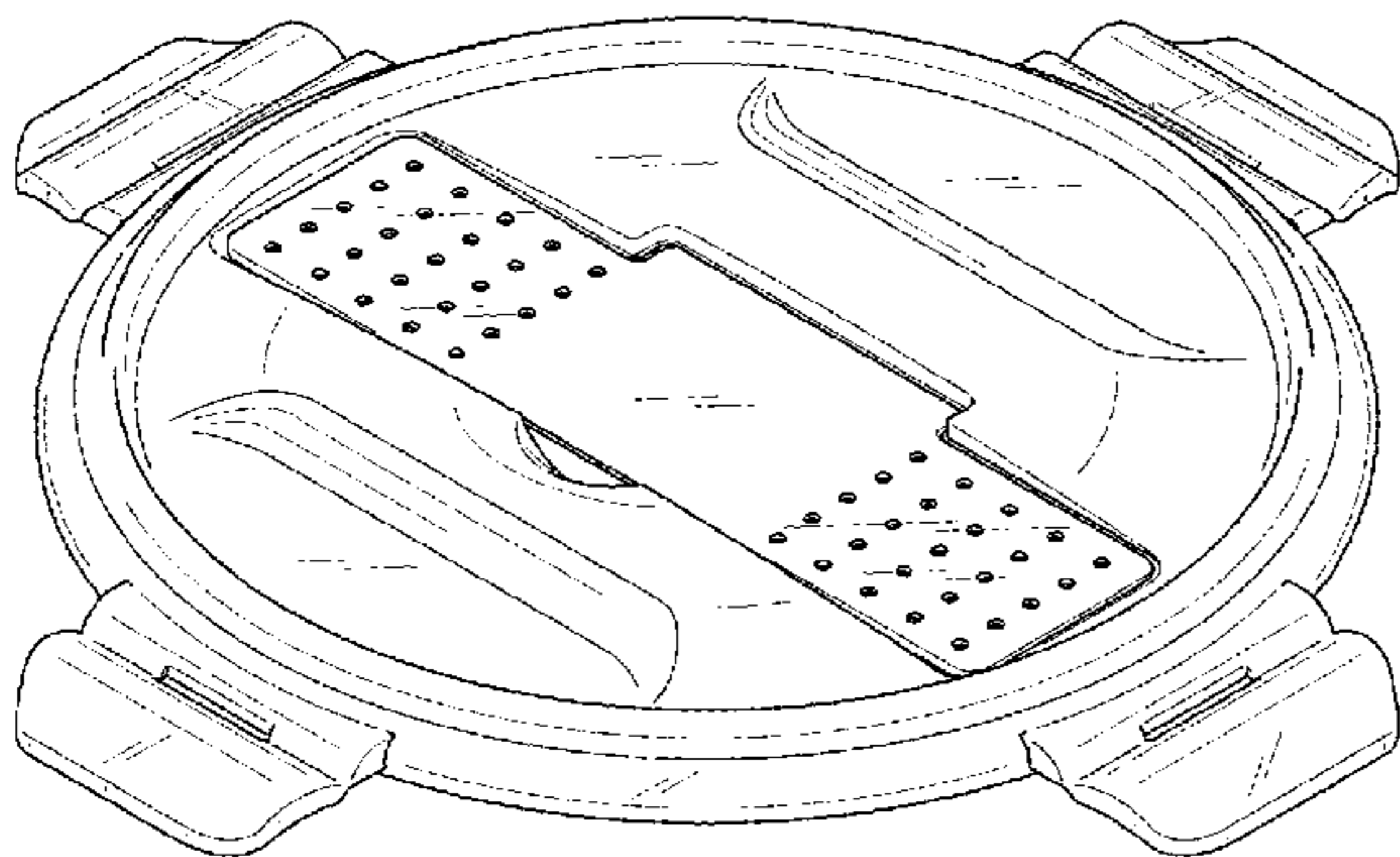


FIG. 2 is a front view of the first embodiment, the rear view being a mirror image thereof;

FIG. 3 is a left side view of the first embodiment, the right side view being a mirror image thereof;

FIG. 4 is a top view of the first embodiment;

FIG. 5 is a bottom view of the first embodiment;

FIG. 6 is another perspective view of the first embodiment in the assembled state;

FIG. 7 is another perspective view of the first embodiment in the assembled state with the small lid opened;

FIG. 8 is an exploded perspective view of a lunch box showing a second embodiment of our new design;

FIG. 9 is a front view of the second embodiment, the rear view being a mirror image thereof;

FIG. 10 is a left side view of the second embodiment, the right side view being a mirror image thereof;

FIG. 11 is a top view of the second embodiment;

FIG. 12 is a bottom view of the second embodiment;

FIG. 13 is another perspective view of the second embodiment in the assembled state;

FIG. 14 is another perspective view of the second embodiment in the assembled state with the small lid opened;

FIG. 15 is an exploded perspective view of a lunch box showing a third embodiment of our new design;

FIG. 16 is a front view of the third embodiment, the rear view being a mirror image thereof;

FIG. 17 is a left side view of the third embodiment, the right side view being a mirror image thereof;

FIG. 18 is a top view of the third embodiment;

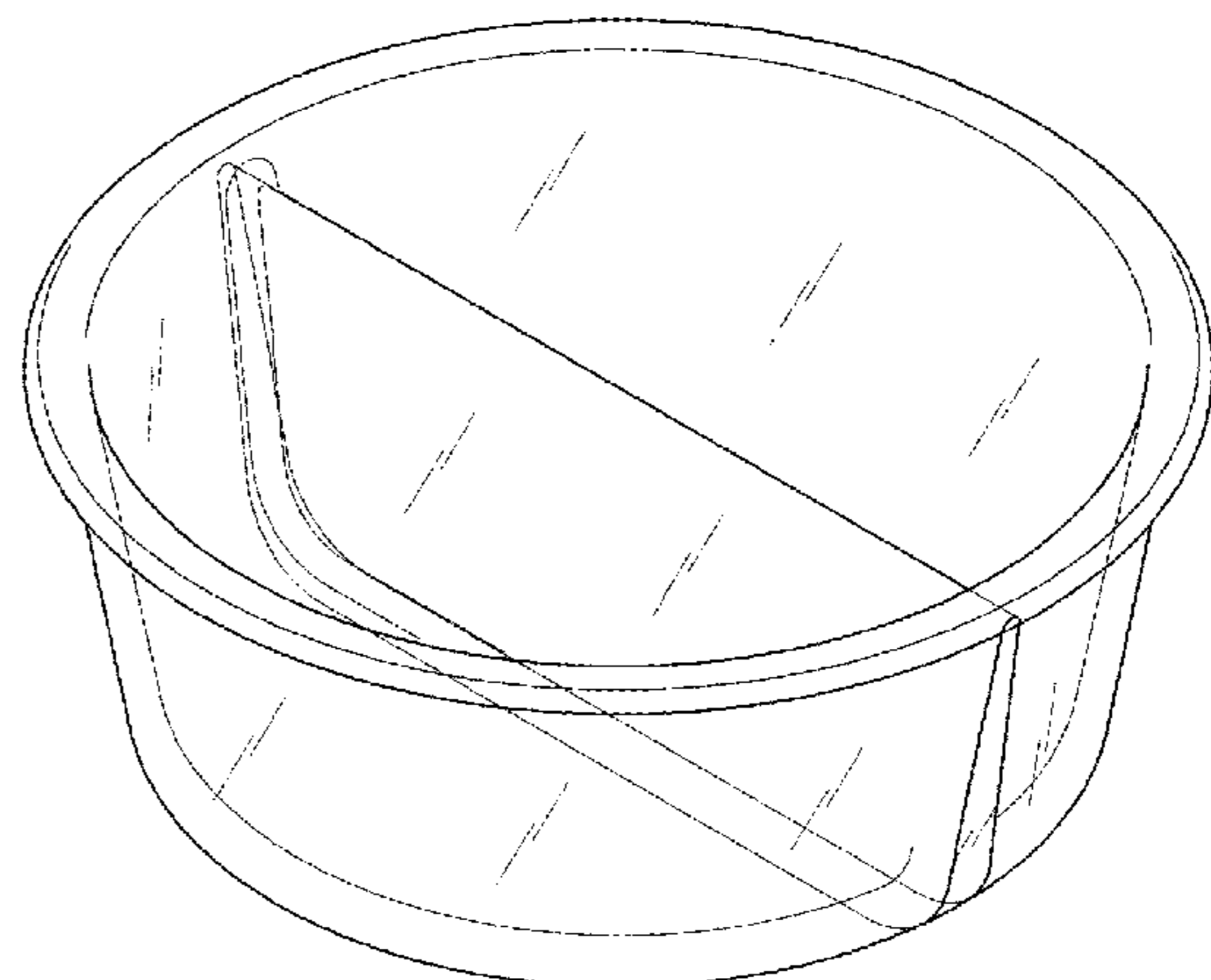
FIG. 19 is a bottom view of the third embodiment;

FIG. 20 is another perspective view of the third embodiment in the assembled state; and,

FIG. 21 is another perspective view of the third embodiment in the assembled state with the small lid opened.

The upper cover and the small lid of the lunch box are translucent. The lower bowl of the lunch box having a partition is transparent.

1 Claim, 21 Drawing Sheets



US D832,656 S

Page 2

(58) **Field of Classification Search**

USPC 62/457.1, 457.2, 457.7; 206/541;
220/4.21, 523, 526, 533, 839
CPC .. B65D 1/26; B65D 43/0206; B65D 43/0214;
B65D 43/00; B65D 1/00; B65D 1/22;
B65D 1/32; B65D 1/14; B65D 1/24;
B65D 1/34; B65D 3/00; B65D 3/02;
B65D 3/28; B65D 5/00; B65D 5/0085;
B65D 5/009; B65D 5/18; B65D 7/00;
B65D 7/02; B65D 11/00; B65D 11/02;
B65D 11/10; B65D 39/00; A47J 47/02;
A47J 47/08; A47J 47/10; A47G 19/00;
A47G 19/32

See application file for complete search history.

(56) **References Cited**

U.S. PATENT DOCUMENTS

D610,878 S * 3/2010 Kim D7/629

D610,879 S * 3/2010 Kim D7/629
D633,757 S * 3/2011 Smyers D7/629
D636,641 S * 4/2011 Smyers D7/629
D646,127 S * 10/2011 Lindsay D7/629
D651,477 S * 1/2012 Nie D7/629
D651,478 S * 1/2012 Nie D7/629
D651,479 S * 1/2012 Nie D7/629
D660,092 S * 5/2012 Kyung D7/629
D660,093 S * 5/2012 Kyung D7/629
D660,094 S * 5/2012 Kyung D7/629
D698,206 S * 1/2014 Molayem D7/629
D698,614 S * 2/2014 Duvigneau D7/629
D708,913 S * 7/2014 Ng D7/629
D741,664 S * 10/2015 Kyle D7/629
D803,006 S * 11/2017 Min D7/608
D803,631 S * 11/2017 Min D7/605
D815,924 S * 4/2018 Croft D7/629

* cited by examiner

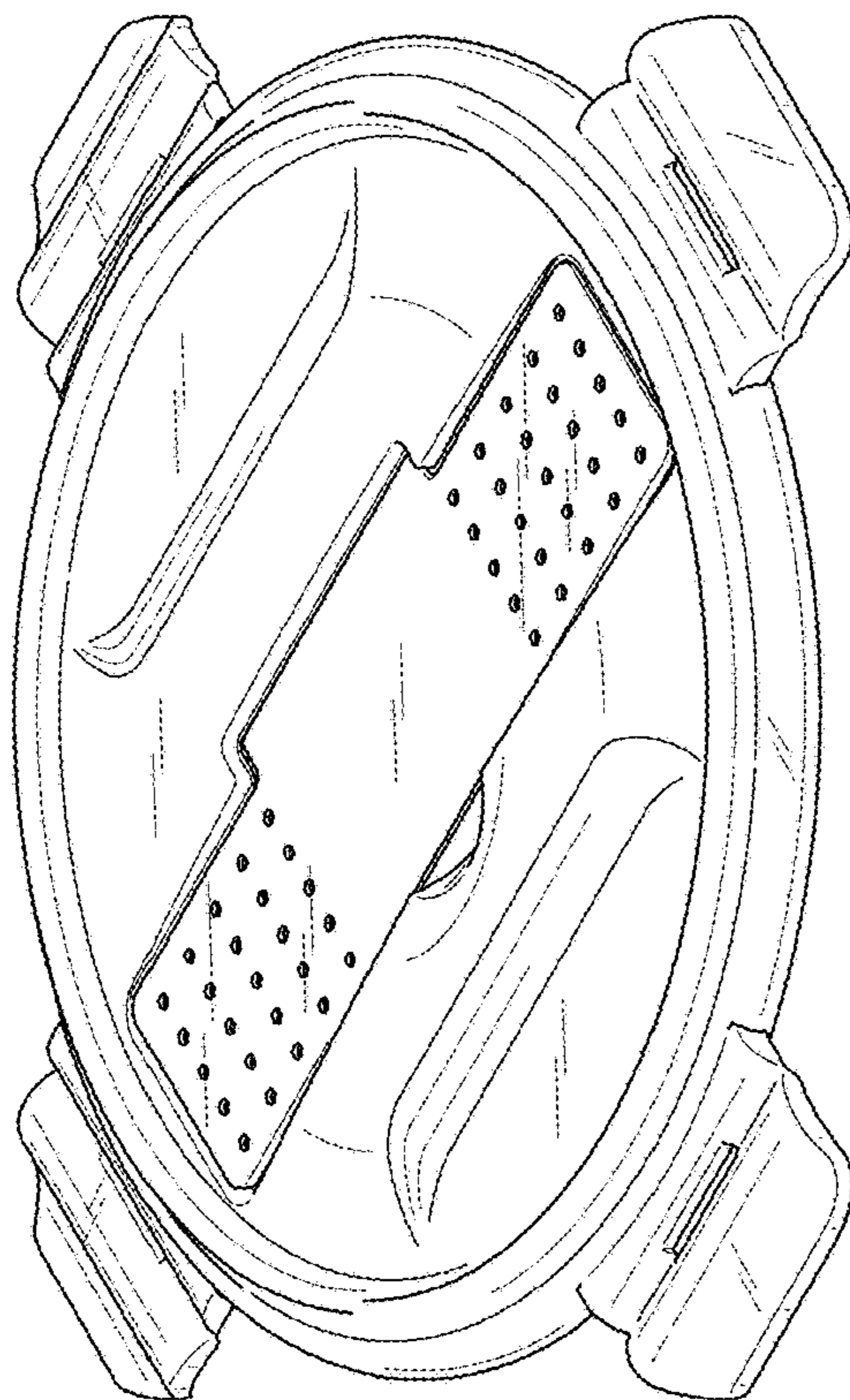
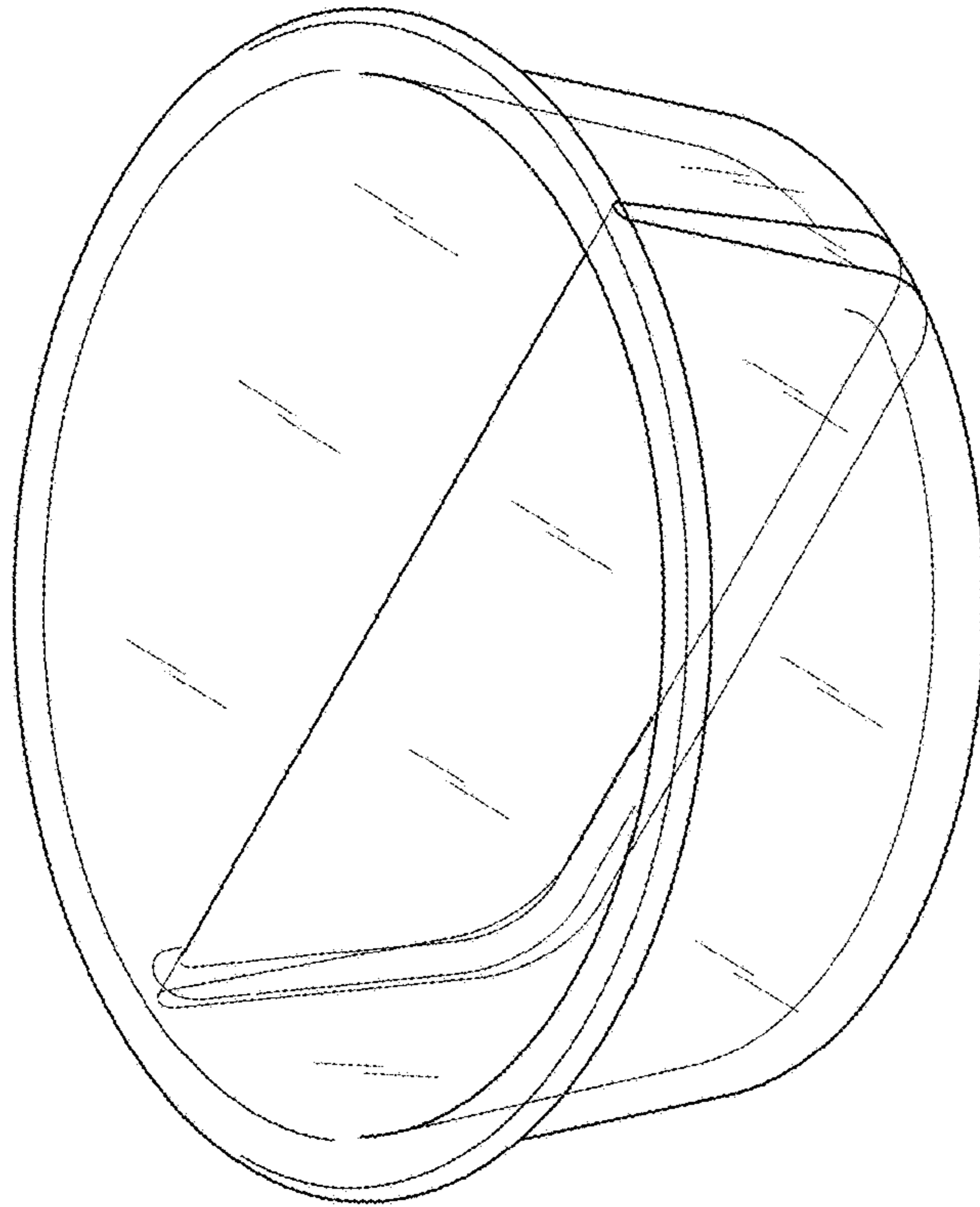


FIG. 1

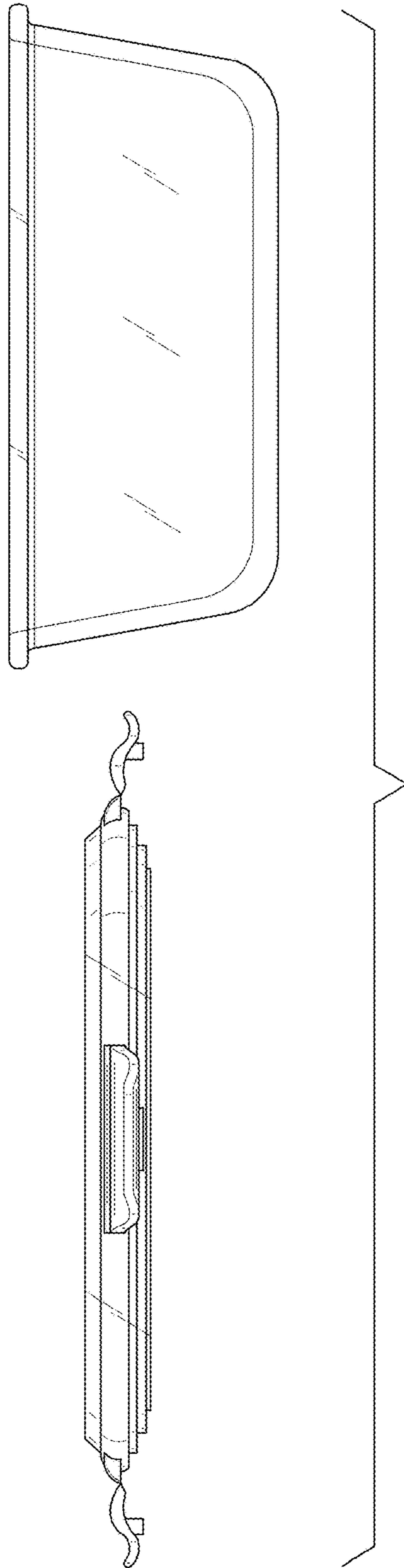


FIG. 2

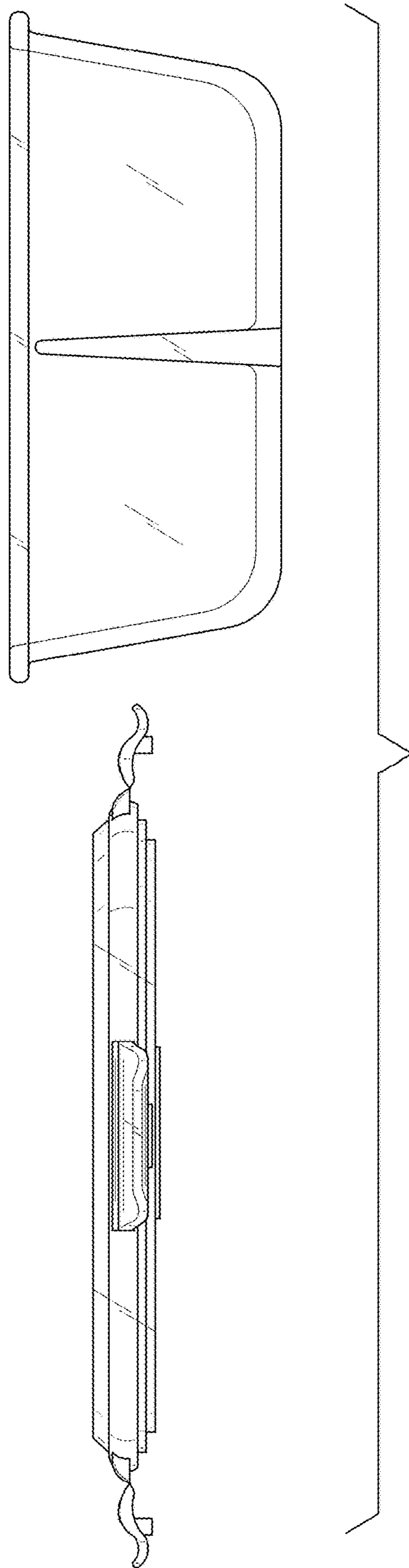


FIG. 3

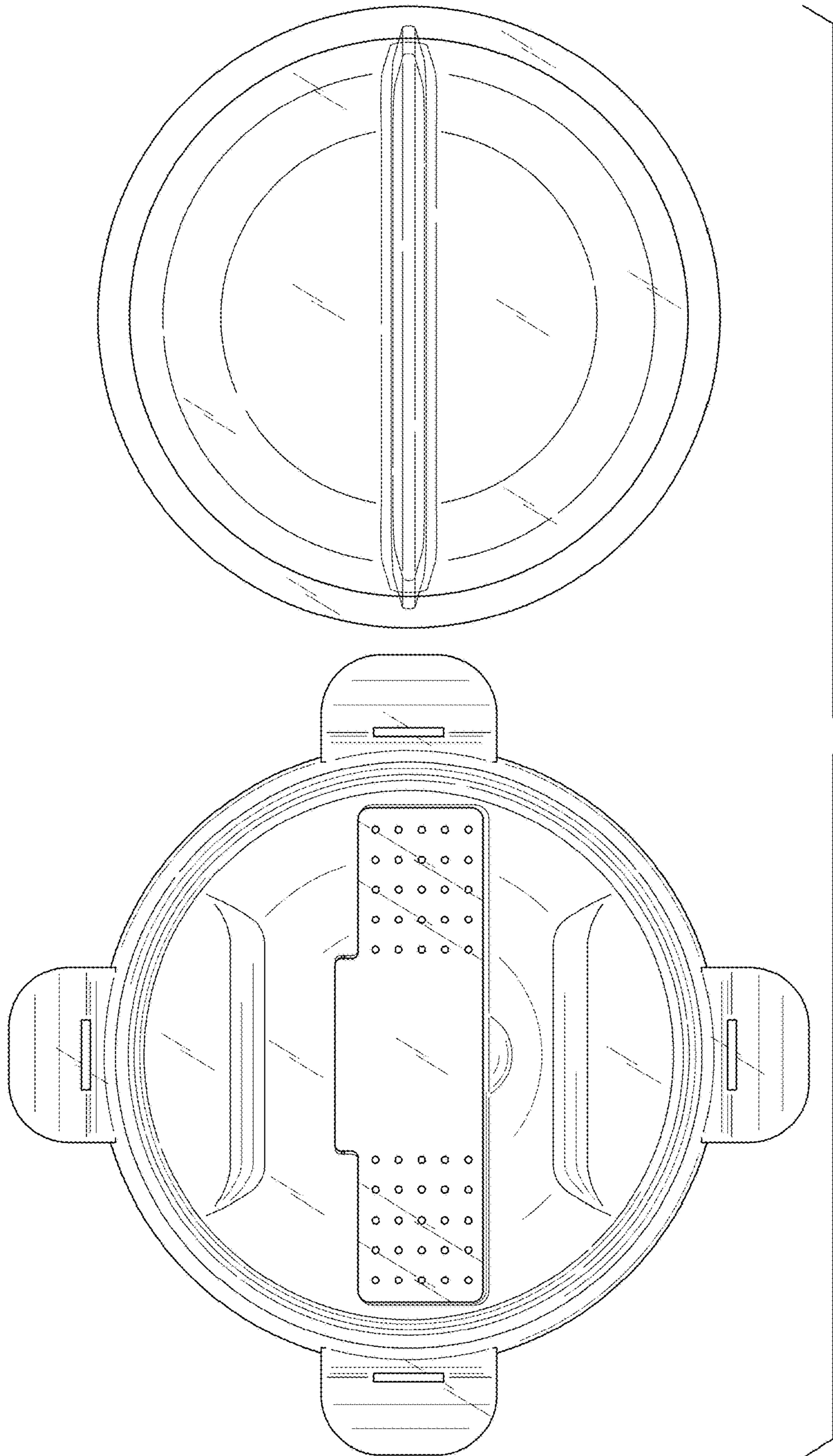


FIG. 4

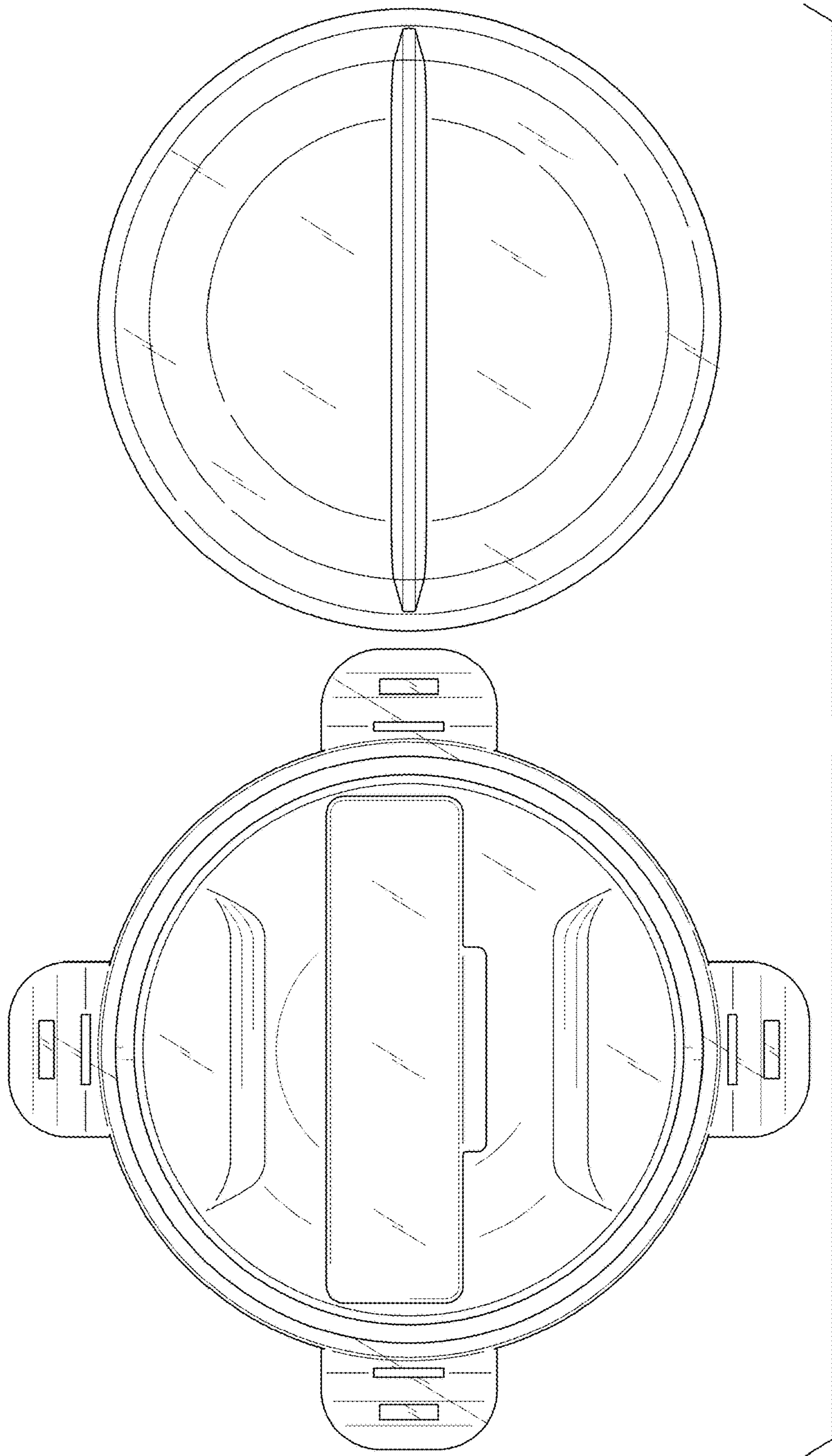


FIG. 5

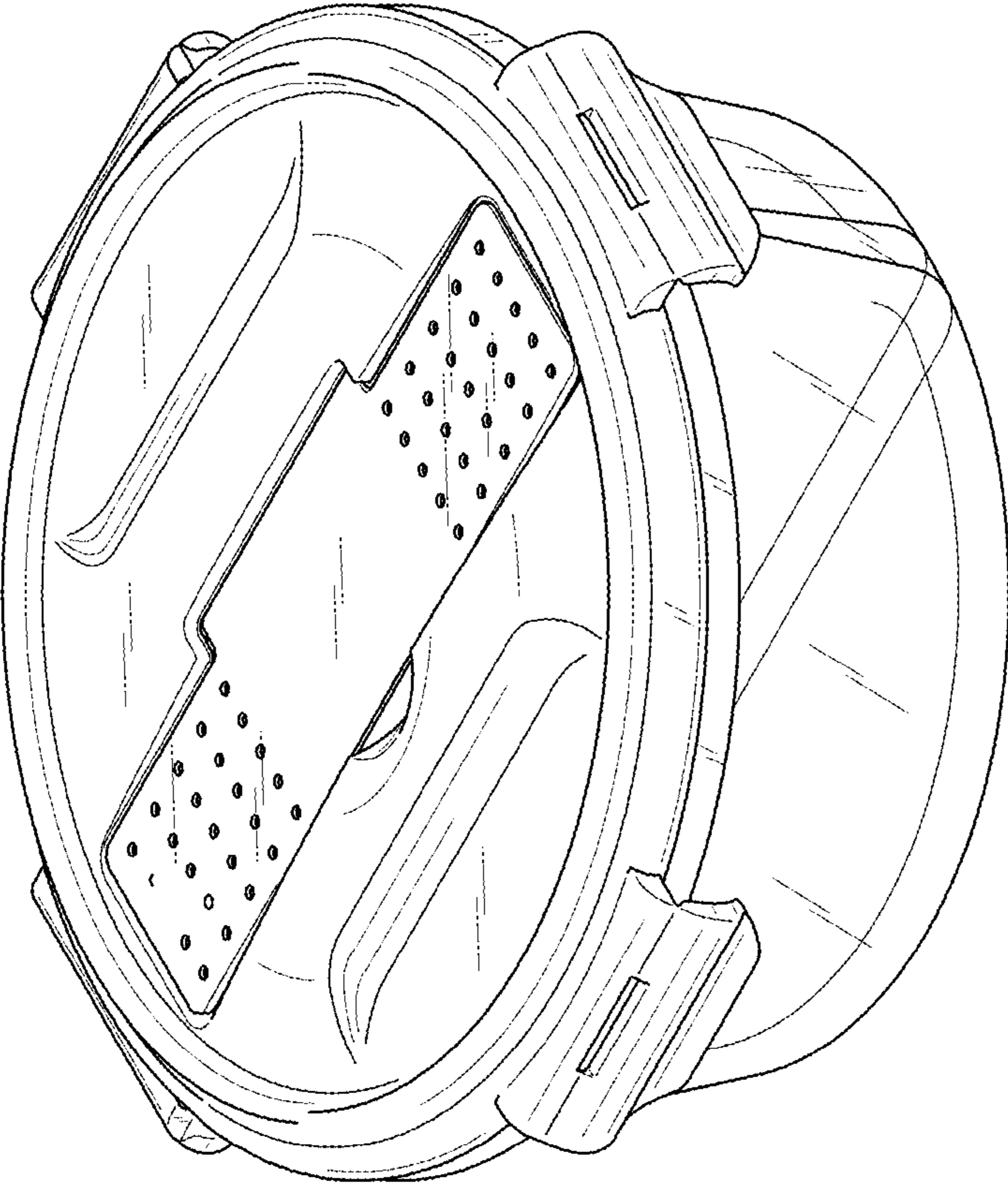


FIG. 6

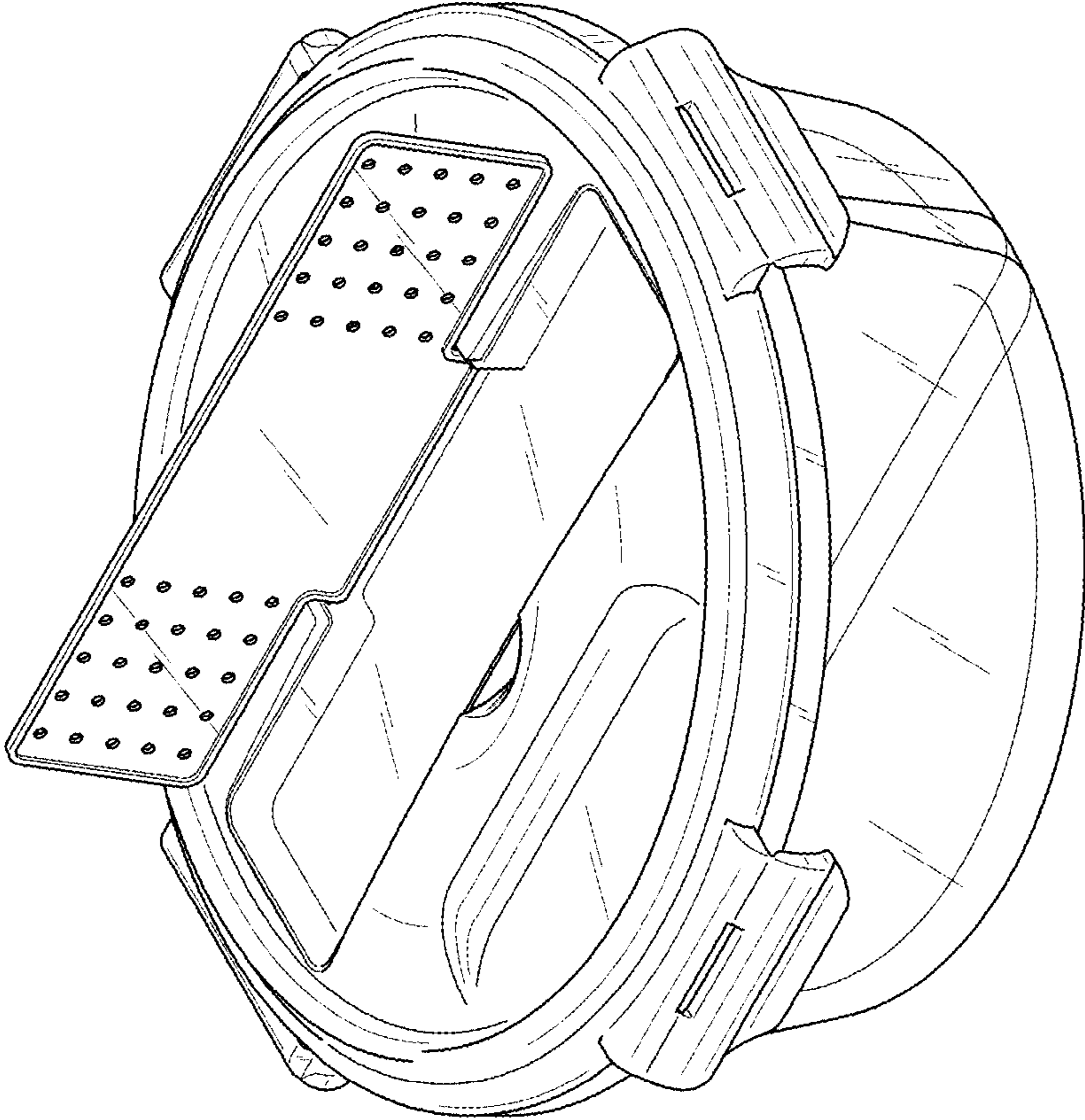


FIG. 7

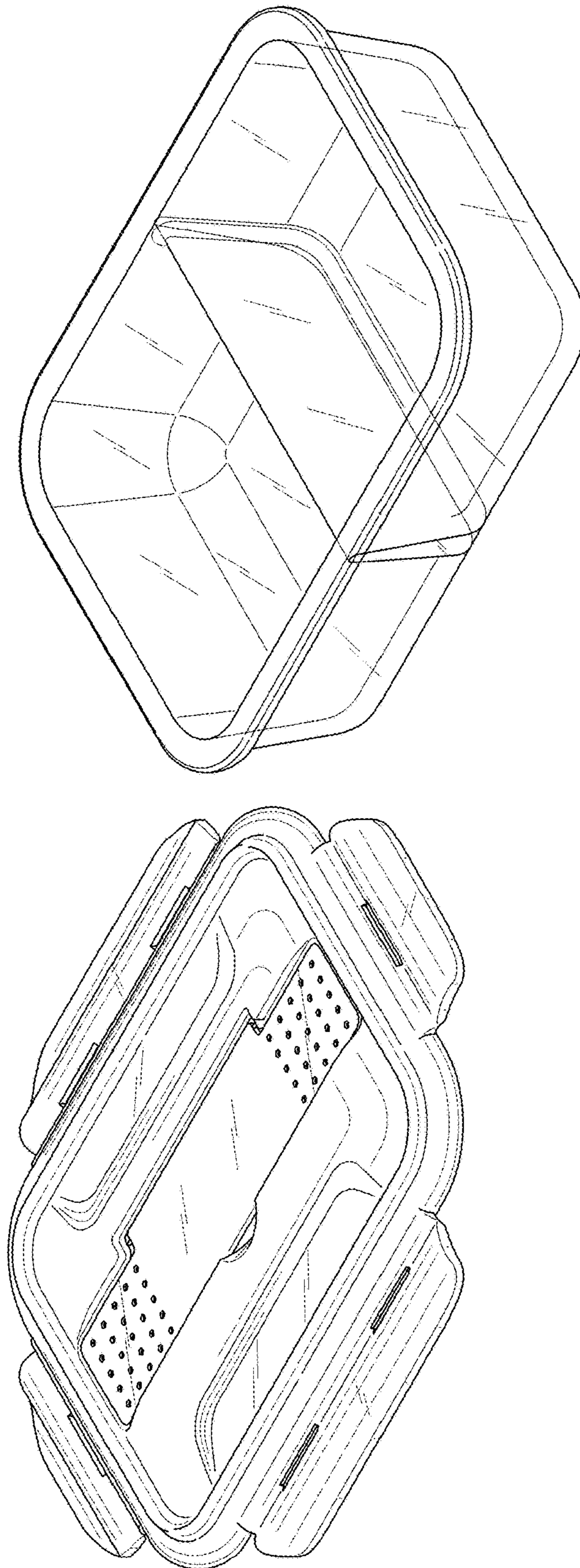


FIG. 8

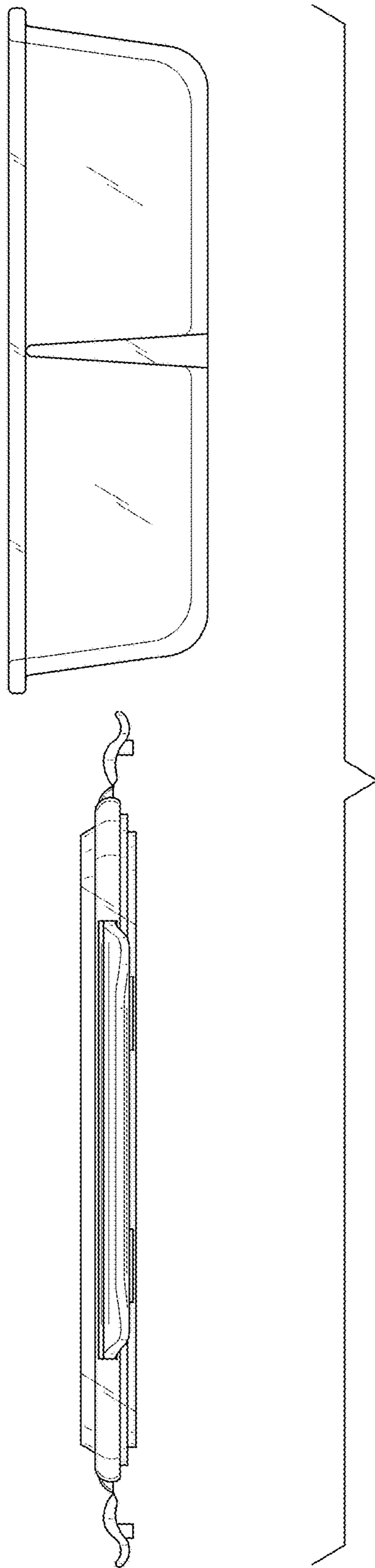


FIG. 9

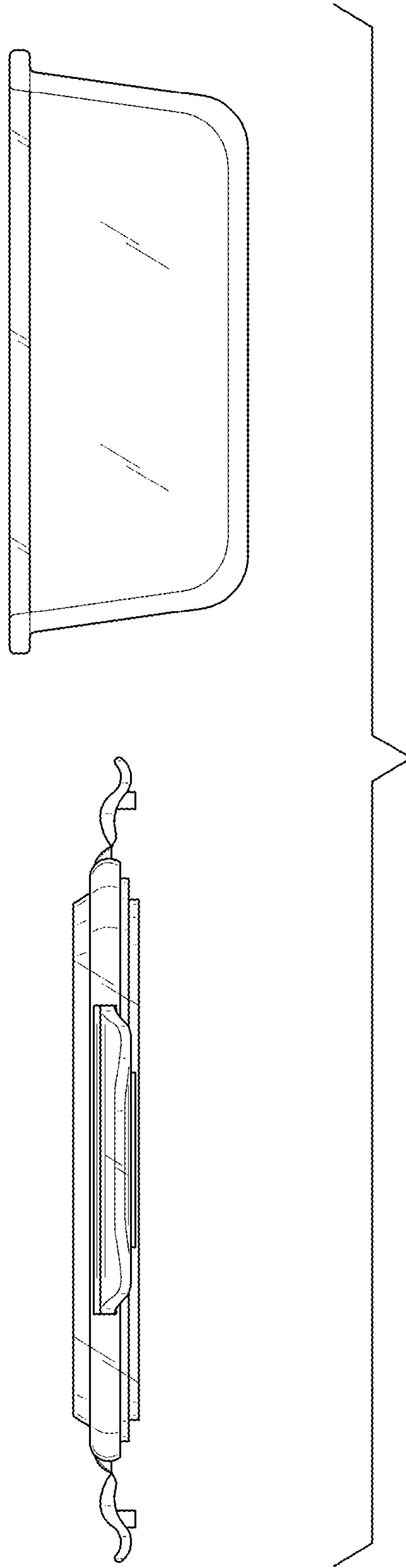


FIG. 10

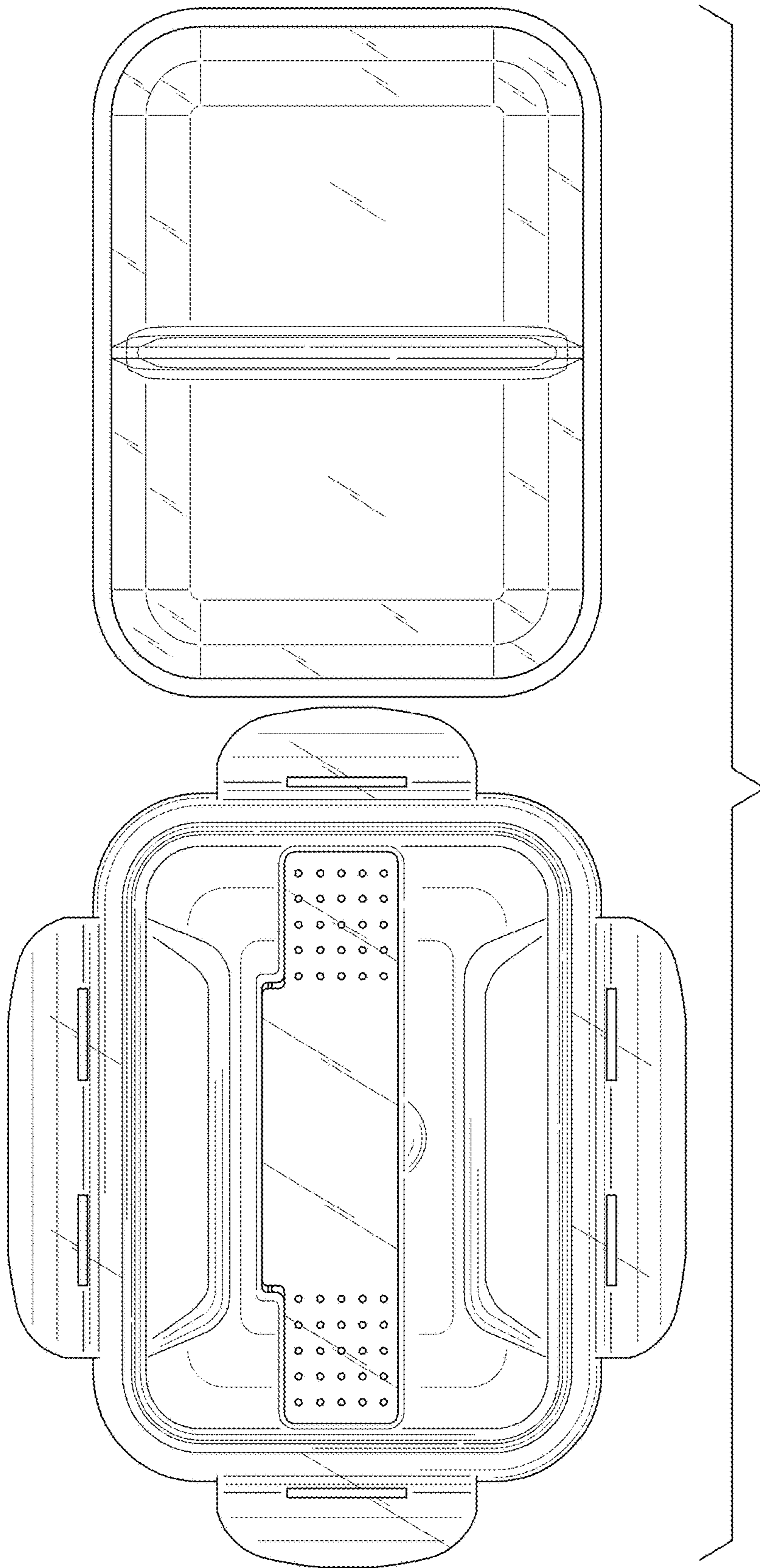


FIG. 11

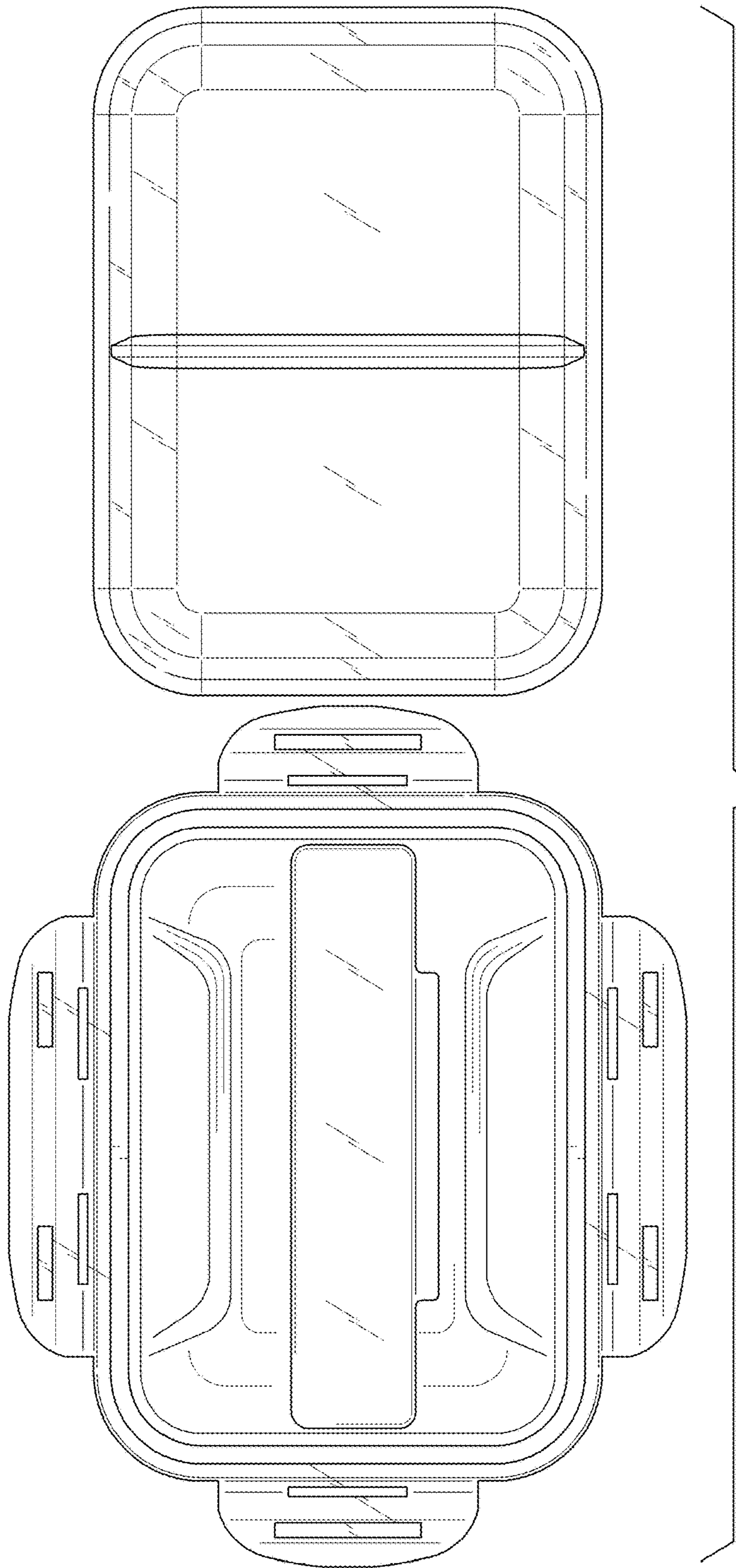


FIG. 12

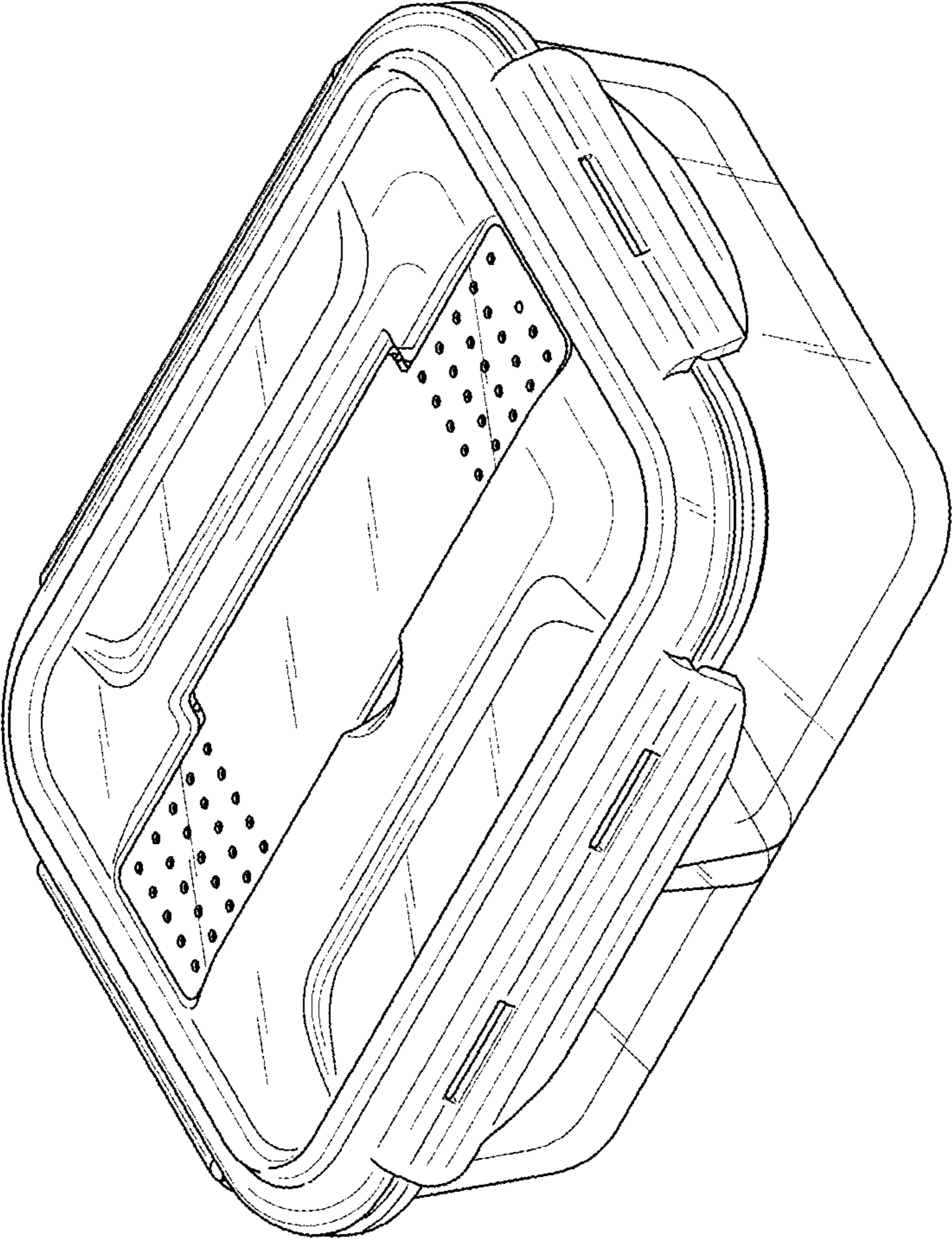


FIG. 13

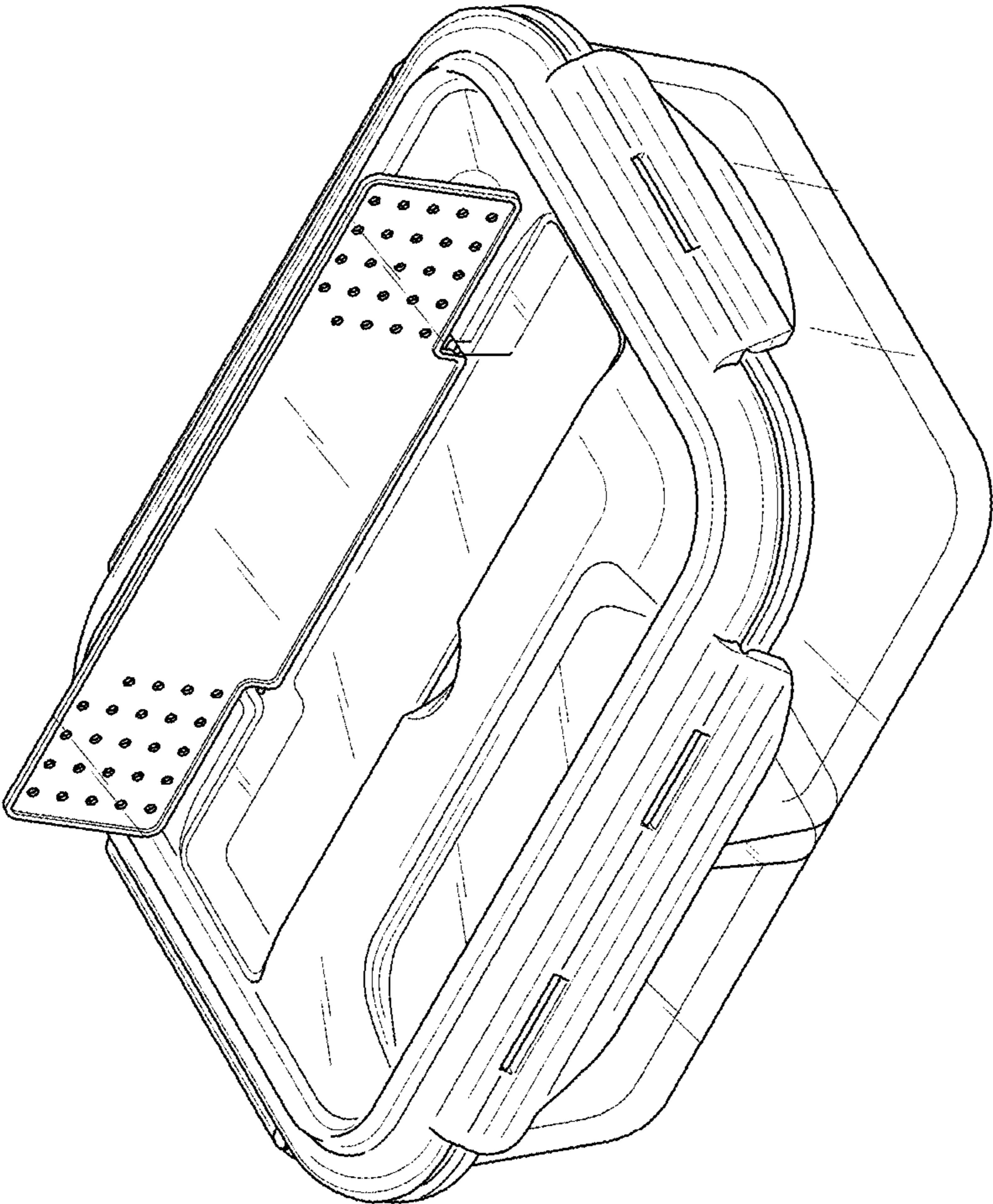


FIG. 14

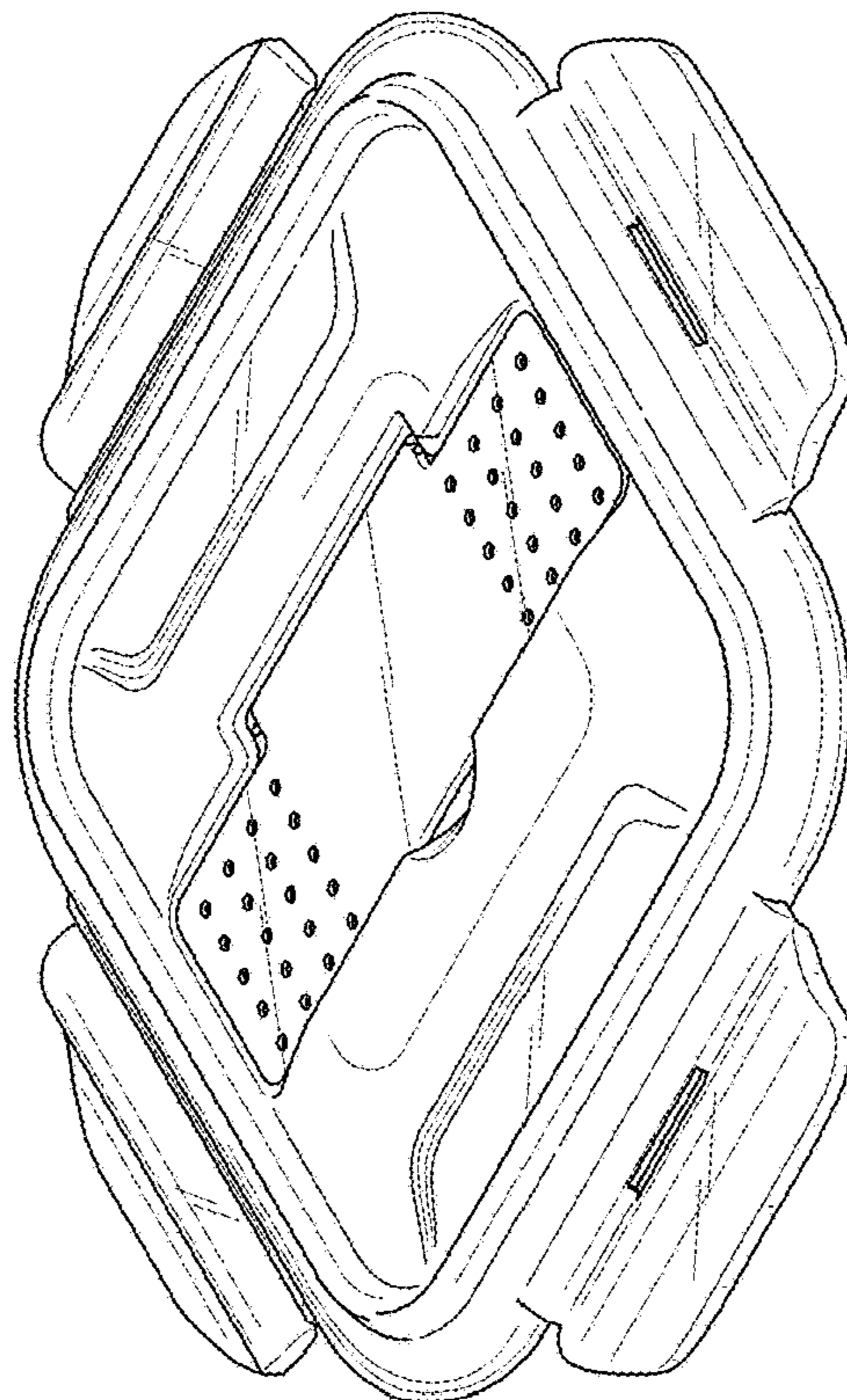
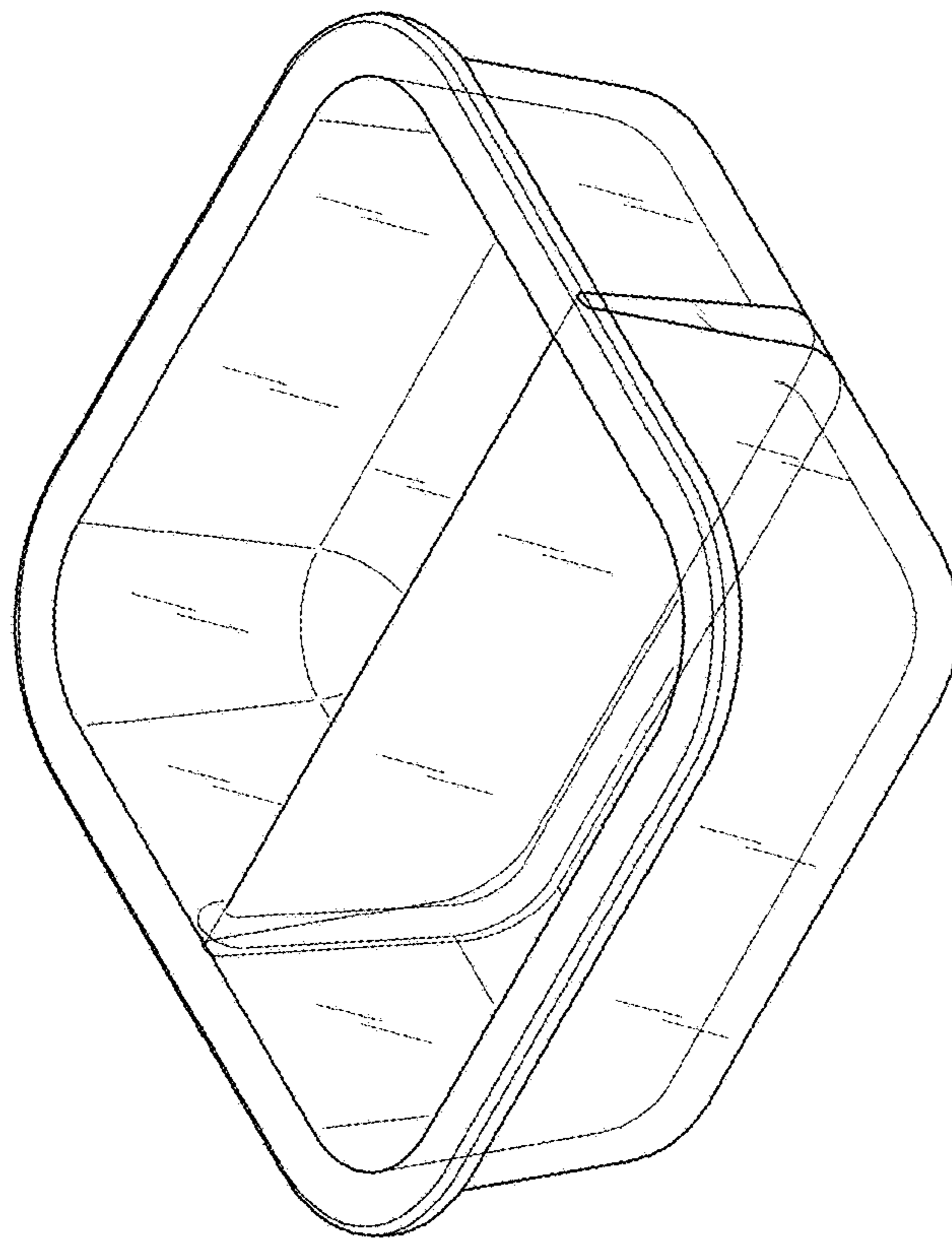


FIG. 15

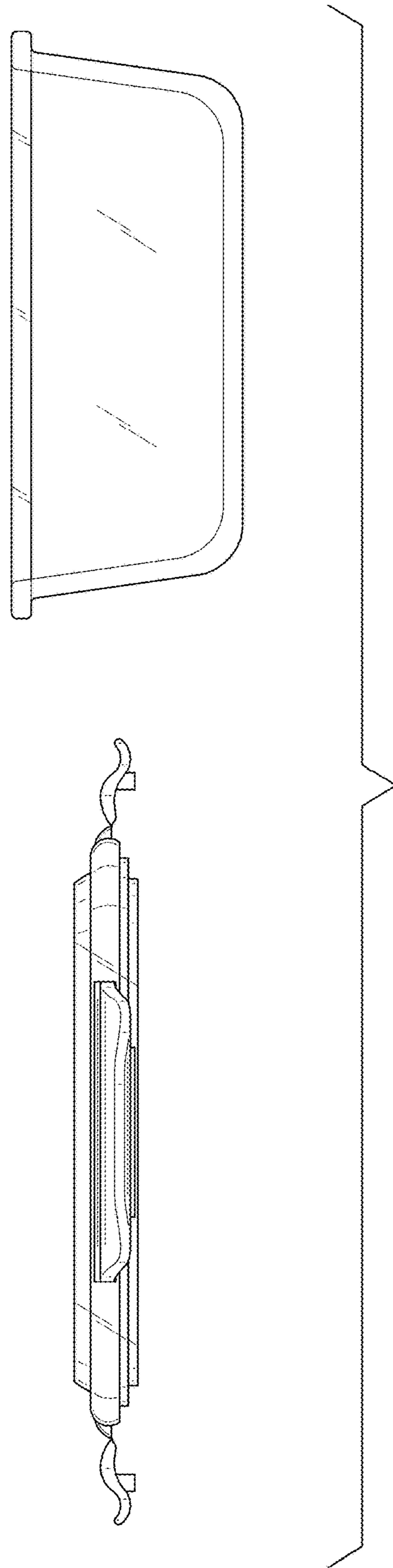


FIG. 16

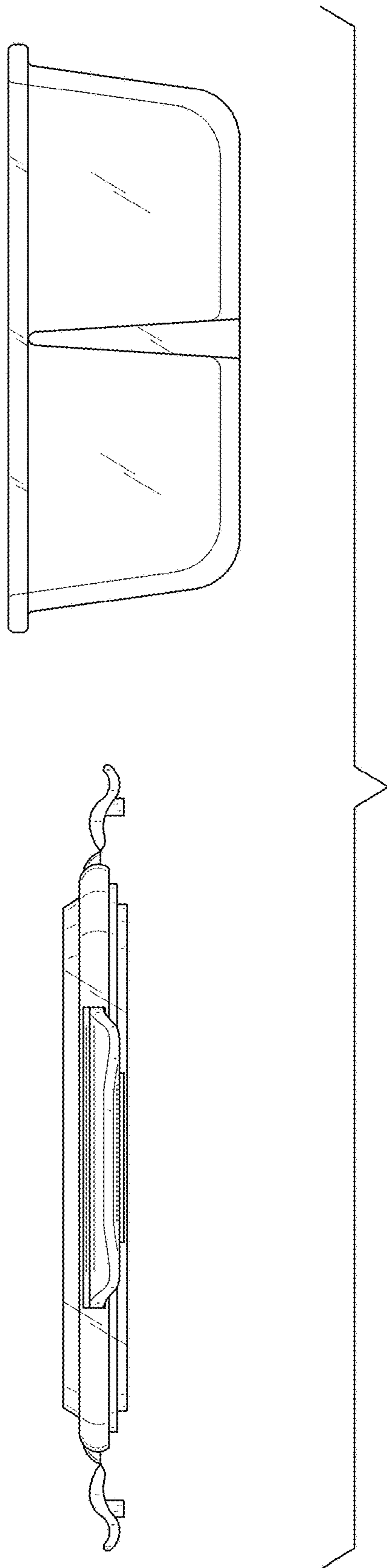


FIG. 17

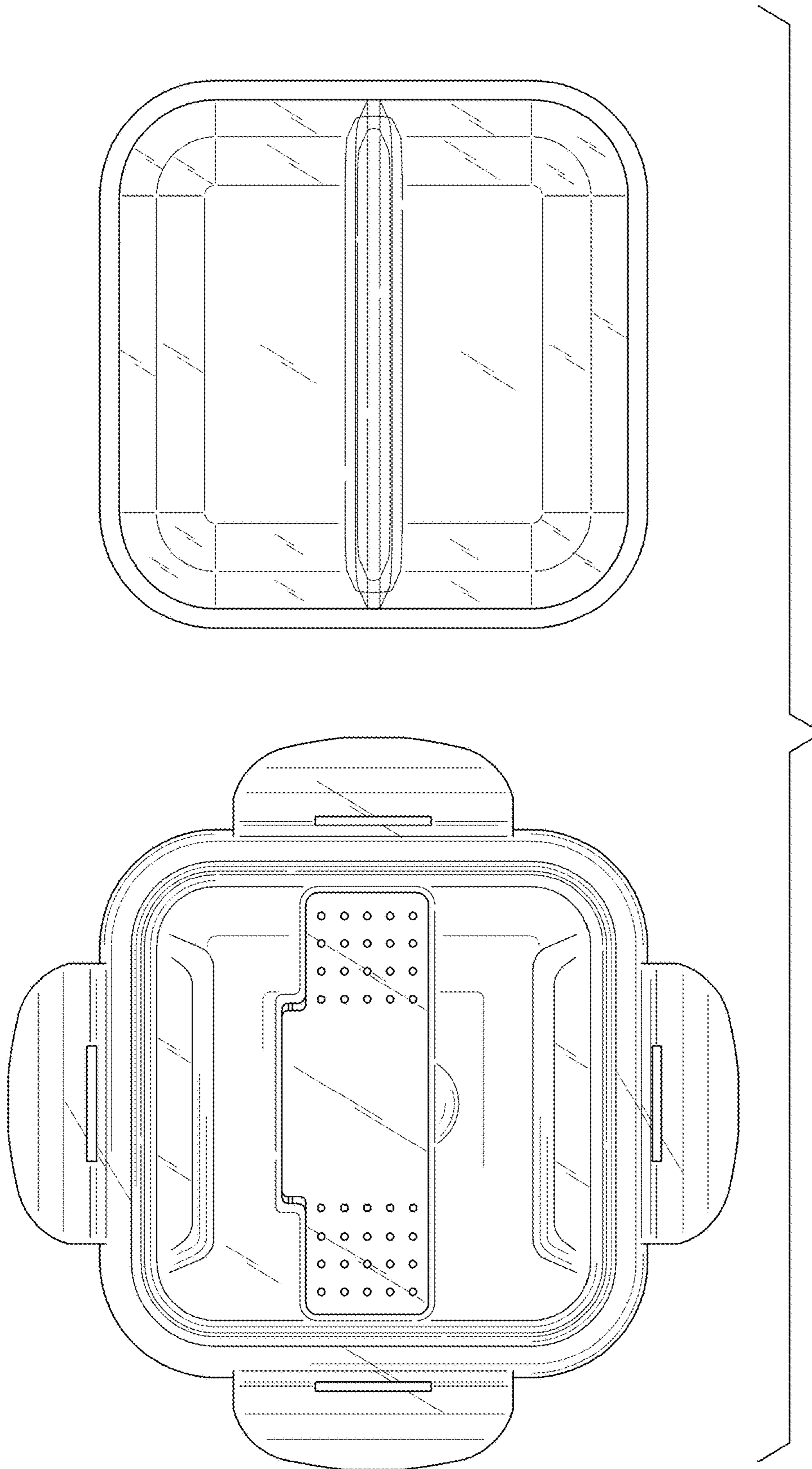


FIG. 18

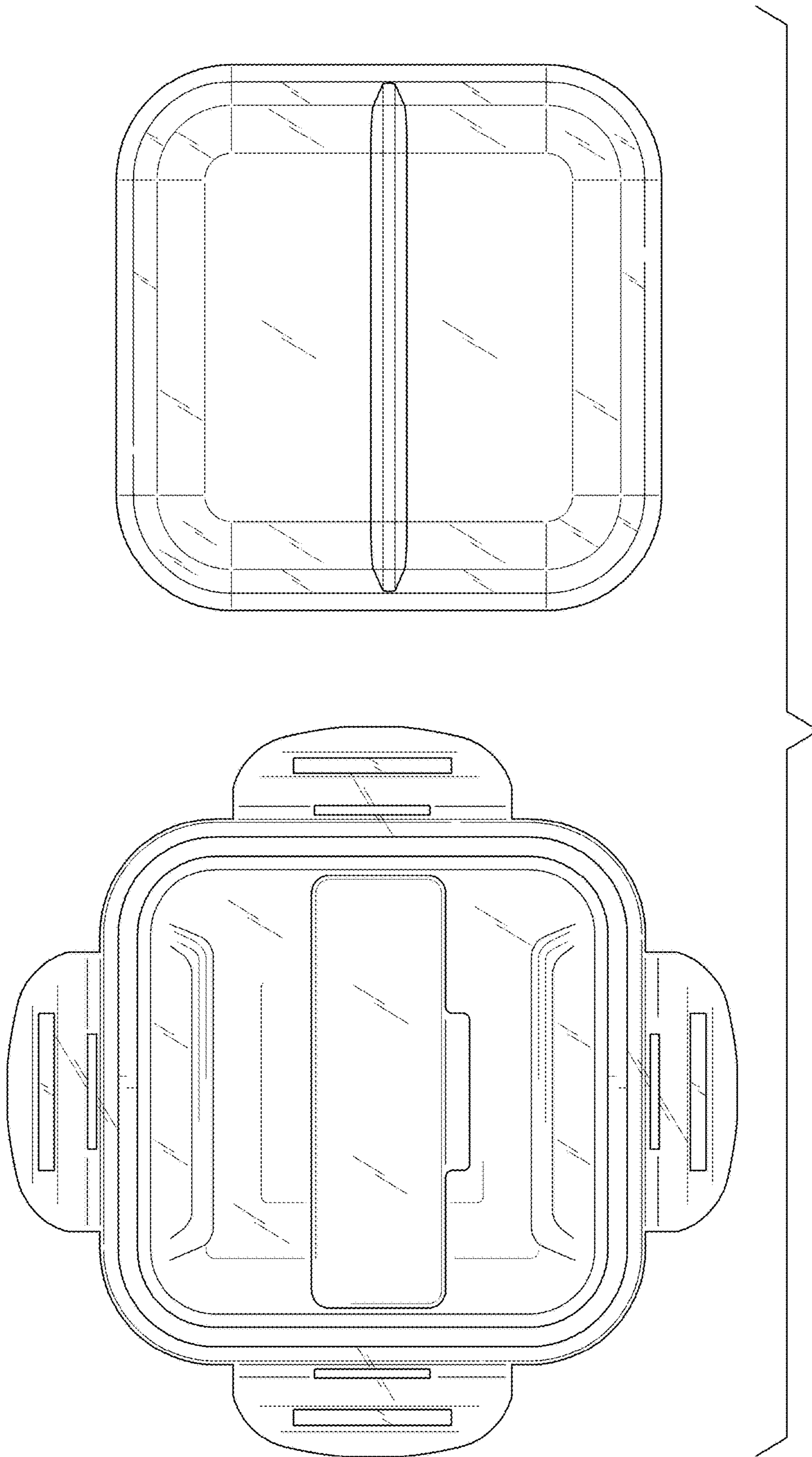


FIG. 19

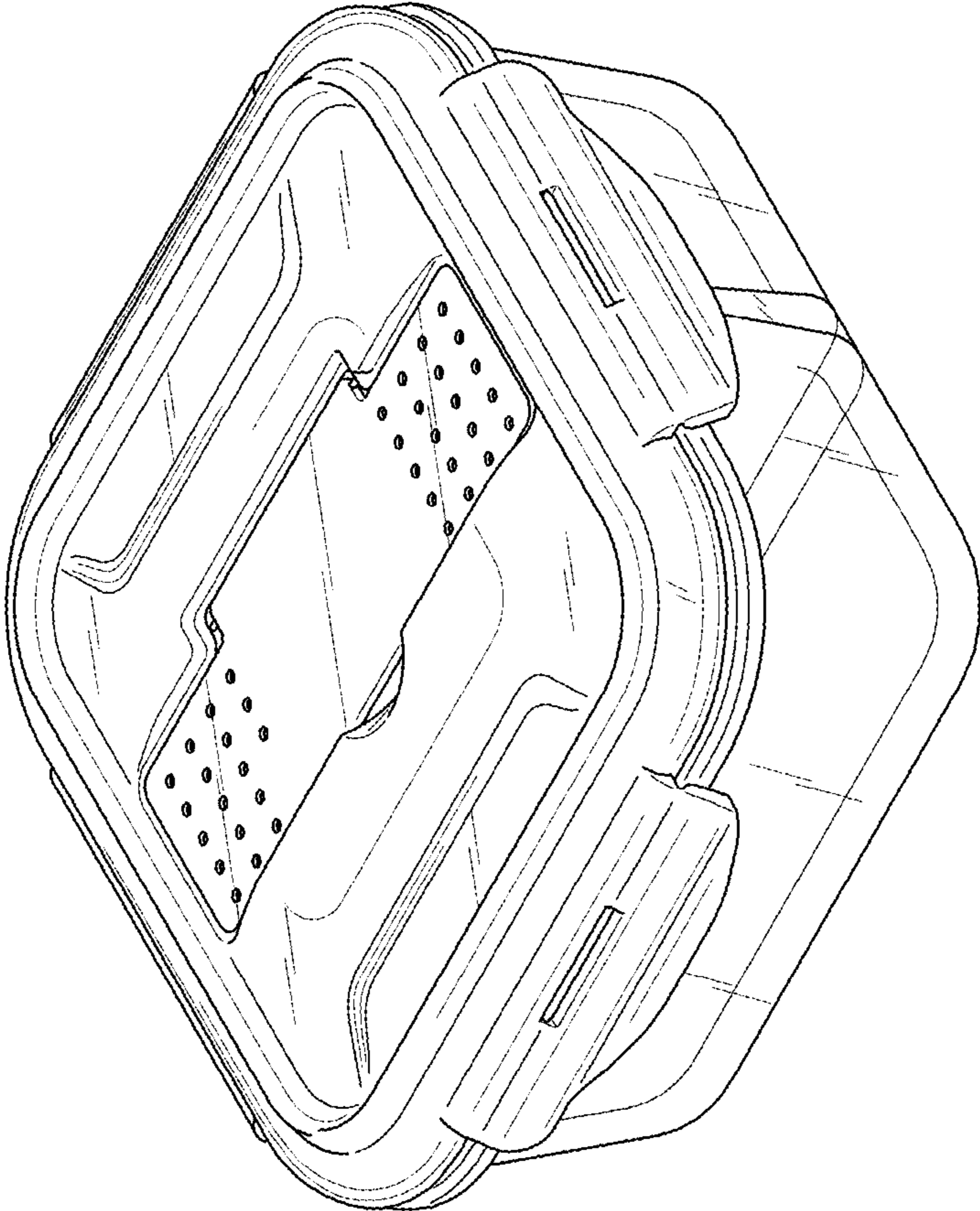


FIG. 20

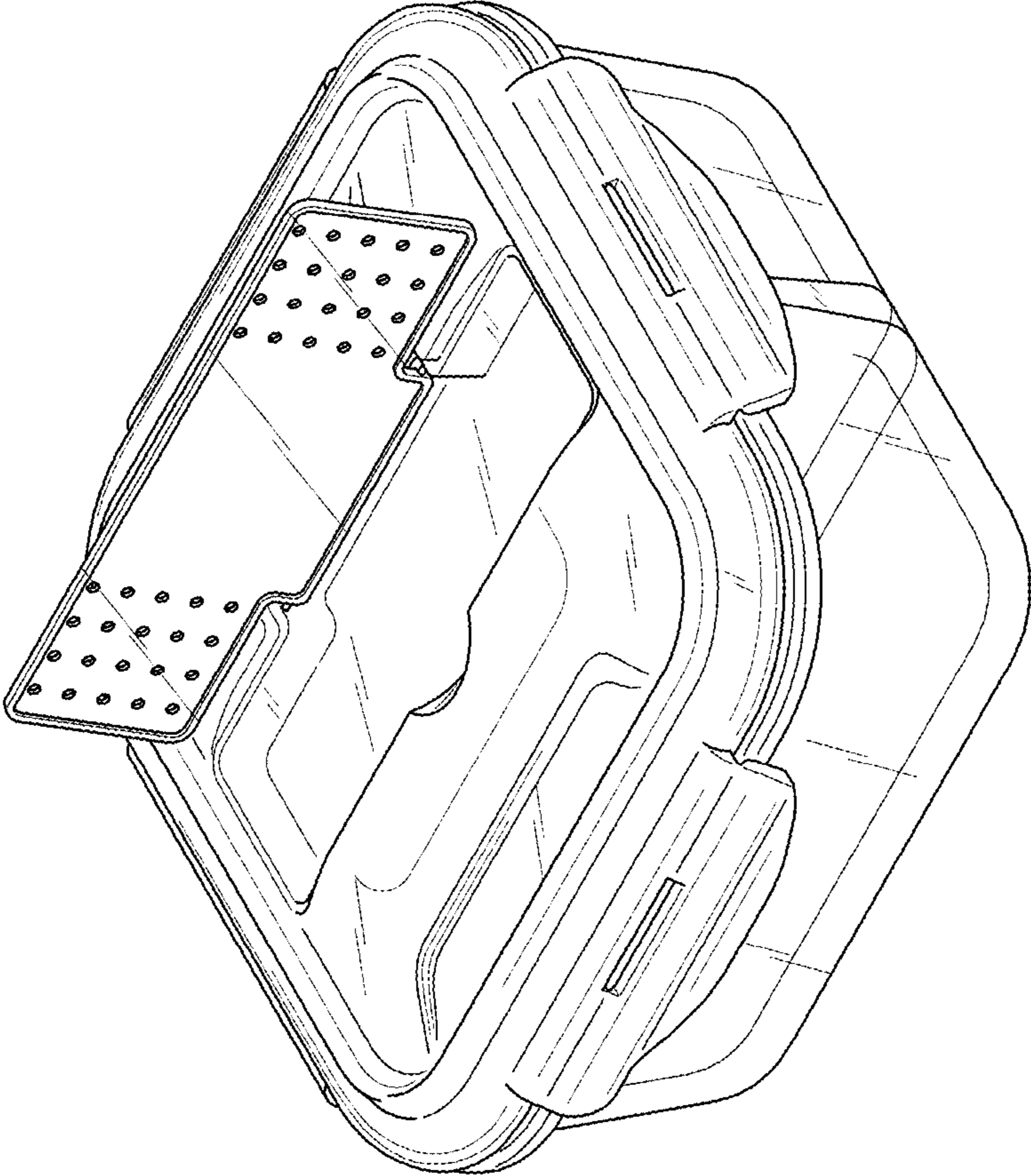


FIG. 21