



US00D832655S

(12) **United States Design Patent** (10) **Patent No.:** **US D832,655 S**  
**Breit et al.** (45) **Date of Patent:** **\*\* Nov. 6, 2018**

(54) **BEVERAGE CLIP**

(71) Applicant: **O2COOL, LLC**, Chicago, IL (US)

(72) Inventors: **Oliver Breit**, Discovery Bay (HK);  
**Mak Shek Fung**, Hong Kong (CN);  
**Michael Ksiazek**, Burr Ridge, IL (US)

(73) Assignee: **O2COOL, LLC**, Chicago, IL (US)

(\*\*) Term: **15 Years**

(21) Appl. No.: **29/607,536**

(22) Filed: **Jun. 14, 2017**

(51) **LOC (11) Cl.** ..... **07-06**

(52) **U.S. Cl.**  
USPC ..... **D7/620**; D7/619.1; D7/708.1; D7/602;  
D8/395; D12/411

(58) **Field of Classification Search**  
USPC ..... D7/392.1, 396.2, 387, 396.3, 388, 900,  
D7/507, 555, 510, 511, 533, 536, 397,  
D7/398, 396.1, 620, 619.1, 708.1, 602;  
D9/436, 434, 435, 454; 220/200, 703;  
D8/382, 395, 396, 394; D12/411  
CPC ..... B65D 41/56; B65D 43/02; B65D 1/265;  
A47G 19/2216; A47G 19/22; A47G  
19/2222

See application file for complete search history.

(56) **References Cited**

**U.S. PATENT DOCUMENTS**

D252,310 S \* 7/1979 Shannon ..... D6/535  
D281,565 S \* 12/1985 Stourton ..... 248/229.16  
D331,860 S \* 12/1992 Stanfield ..... D7/505  
D373,052 S \* 8/1996 Di Biase ..... D7/553.6  
D376,072 S \* 12/1996 Joergensen ..... D7/620  
D417,185 S \* 11/1999 Marks ..... D12/411  
D449,206 S \* 10/2001 DuBow ..... D7/708.1  
D449,814 S \* 10/2001 Guertin ..... D12/411  
D511,964 S \* 11/2005 Mariano ..... D8/395  
D517,373 S \* 3/2006 Cappellino ..... D7/620

D520,353 S \* 5/2006 Mariano ..... D8/395  
D560,981 S \* 2/2008 Tsui ..... D7/708.1  
D565,662 S \* 4/2008 Reardon ..... D19/65  
D600,077 S \* 9/2009 Barnes, Jr. .... D7/620  
D612,691 S \* 3/2010 Barnes, Jr. .... D7/620  
D650,691 S \* 12/2011 Miller ..... D7/601  
8,413,838 B2 \* 4/2013 Miller ..... A47G 23/0241  
220/694  
8,863,980 B2 \* 10/2014 Miller ..... A47G 23/0241  
220/482  
D750,444 S \* 3/2016 Smith ..... D7/619.1  
(Continued)

**OTHER PUBLICATIONS**

<https://www.amazon.co.uk/Portable-Office-Table-Coffee-Holder/dp/B00K640YM4> Cup Holder Clip Jul. 5, 2014.\*

*Primary Examiner* — Marianne Pandozzi  
*Assistant Examiner* — Jae Liang  
(74) *Attorney, Agent, or Firm* — Thompson Coburn LLP

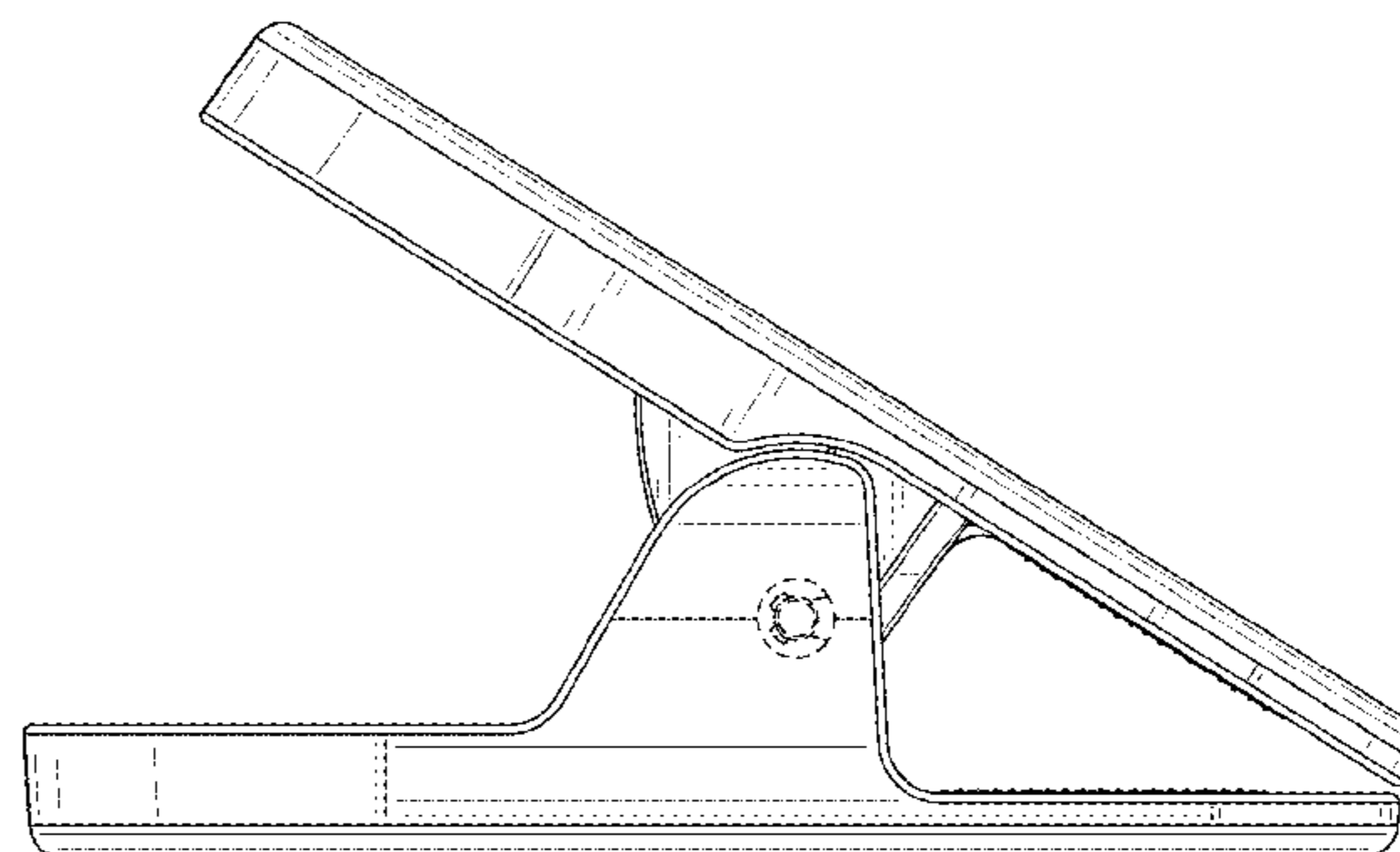
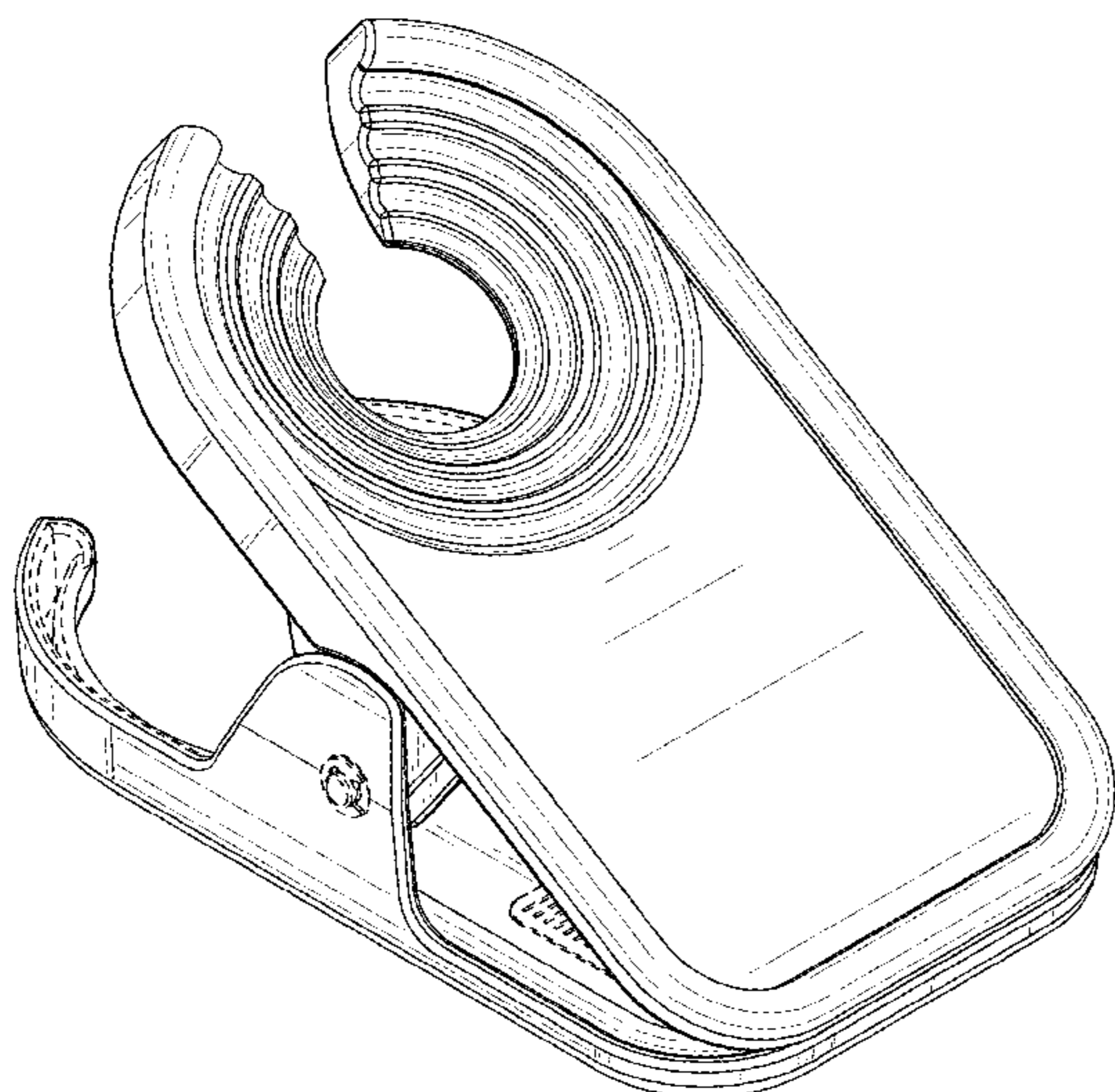
(57) **CLAIM**

The ornamental design for a beverage clip, as shown and described.

**DESCRIPTION**

FIG. 1 is a perspective view of a beverage clip showing our new design;  
FIG. 2 is a front view thereof;  
FIG. 3 is a rear view thereof;  
FIG. 4 is a left side view thereof;  
FIG. 5 is a right side view thereof;  
FIG. 6 is a top view thereof;  
FIG. 7 is a bottom view thereof;  
FIG. 8 is a second perspective view thereof; and,  
FIG. 9 is a third perspective view thereof.  
The broken lines immediately adjacent the shaded areas depict bounds of the claimed design while the rest of the broken lines in the drawings depict portions of the beverage clip that form no part of the claimed design.

**1 Claim, 9 Drawing Sheets**



(56)

**References Cited**

U.S. PATENT DOCUMENTS

D770,885 S *	11/2016	Miros .....	D8/382
D773,885 S *	12/2016	Loshuk .....	D7/387
D775,906 S *	1/2017	Edwards .....	D7/708.1
D777,510 S *	1/2017	Loshuk .....	D7/387
D777,511 S *	1/2017	Williams .....	D20/28
D788,575 S *	6/2017	Kim .....	D8/395
D792,971 S *	7/2017	Greenizen .....	D24/143
D801,881 S *	11/2017	Brown, Jr. ....	D12/133
D804,896 S *	12/2017	Loshuk .....	D7/396.2
D804,897 S *	12/2017	Loshuk .....	D7/396.2
D806,484 S *	1/2018	Boyden .....	D7/619.1
D806,527 S *	1/2018	Baker, Jr. ....	D8/396

\* cited by examiner

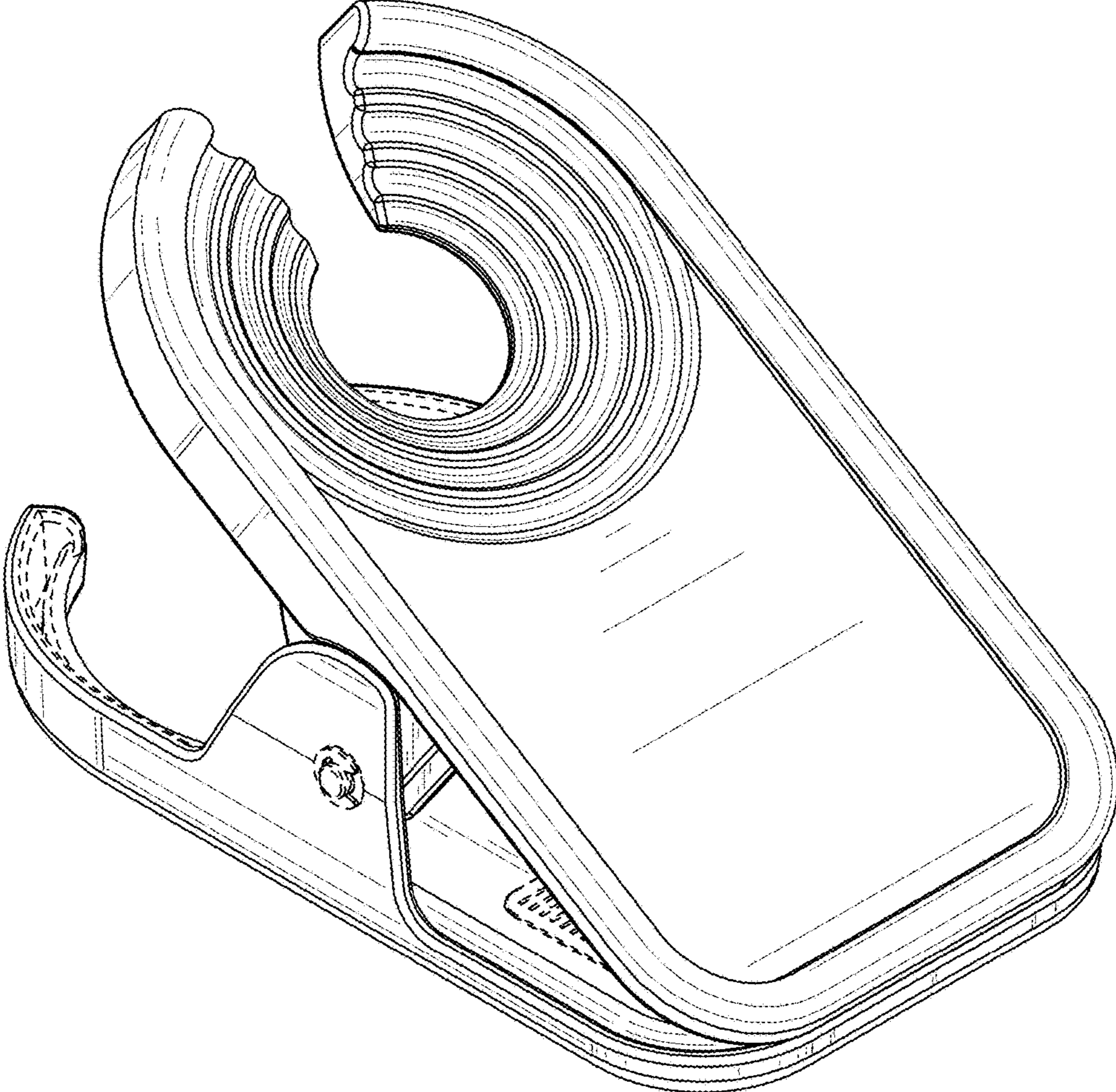


FIG. 1

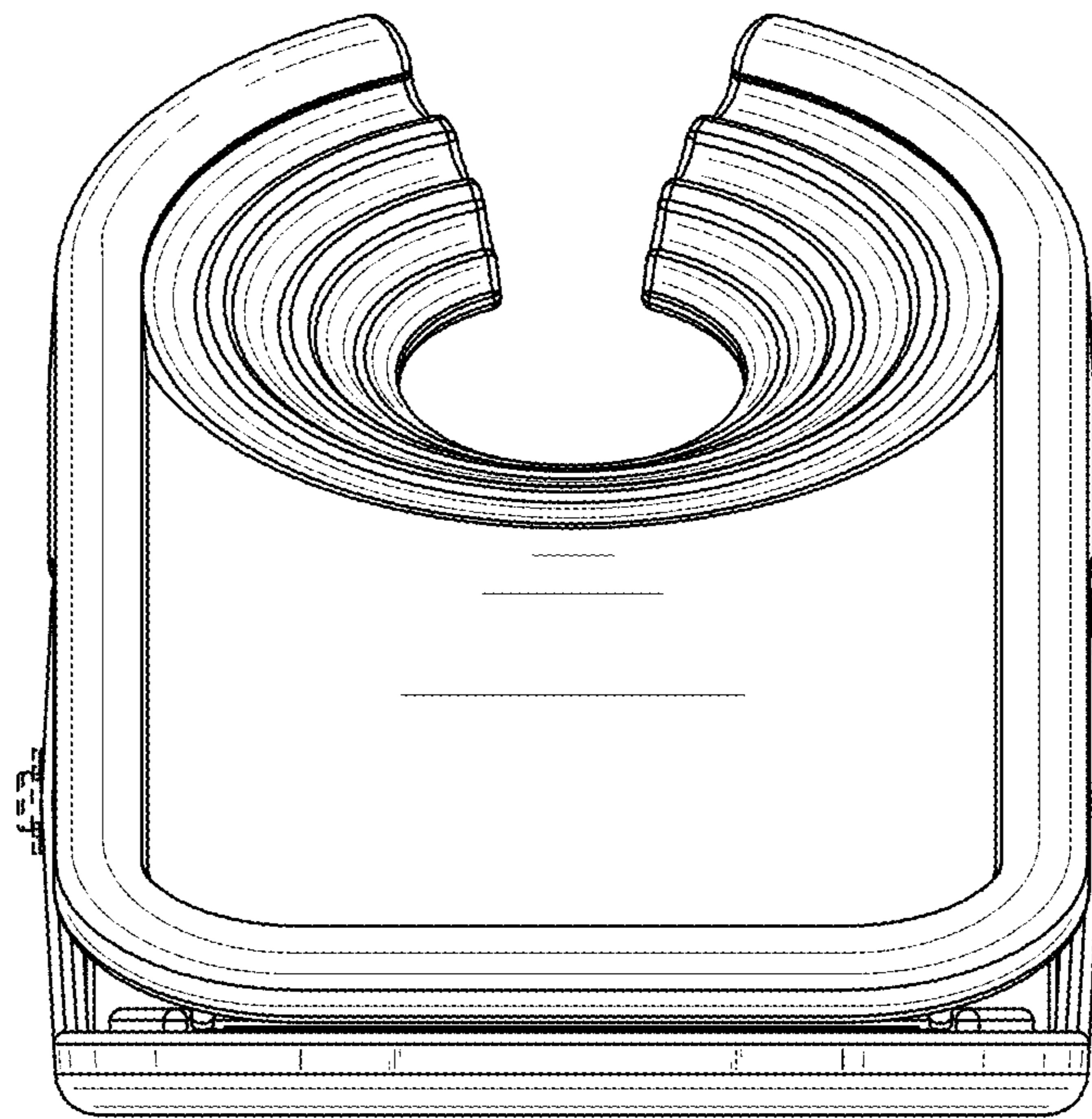


FIG. 2

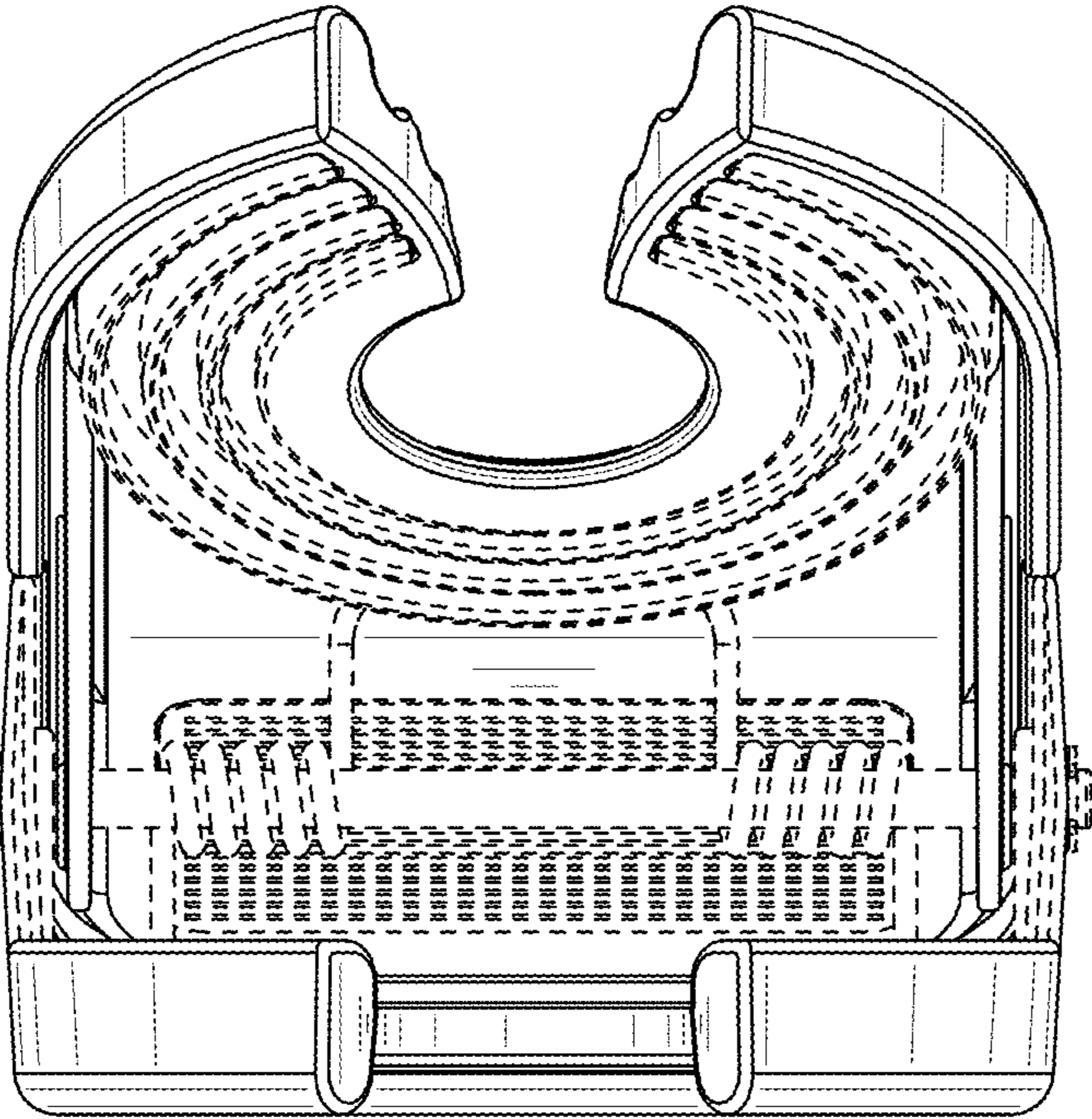


FIG. 3

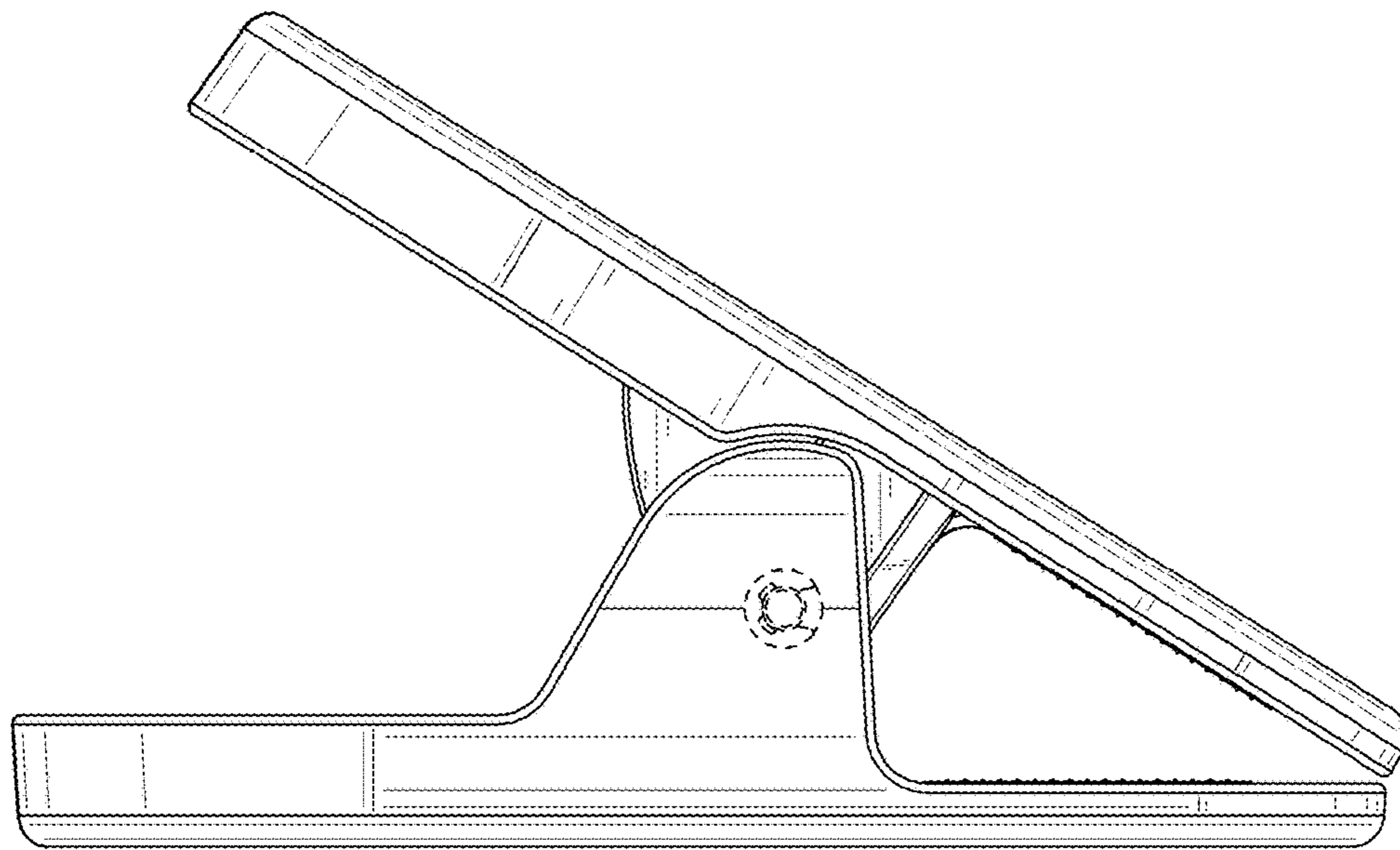


FIG. 4

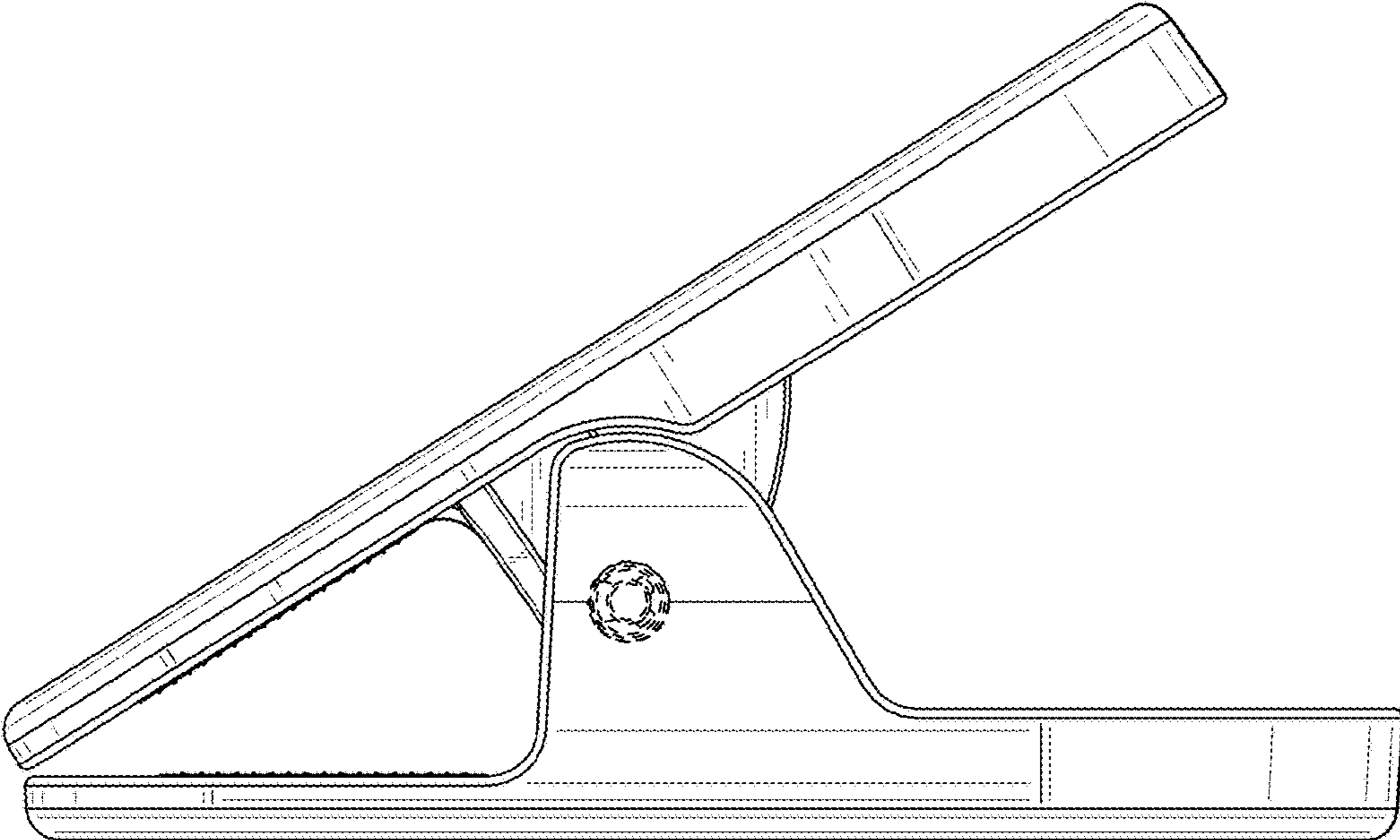


FIG. 5

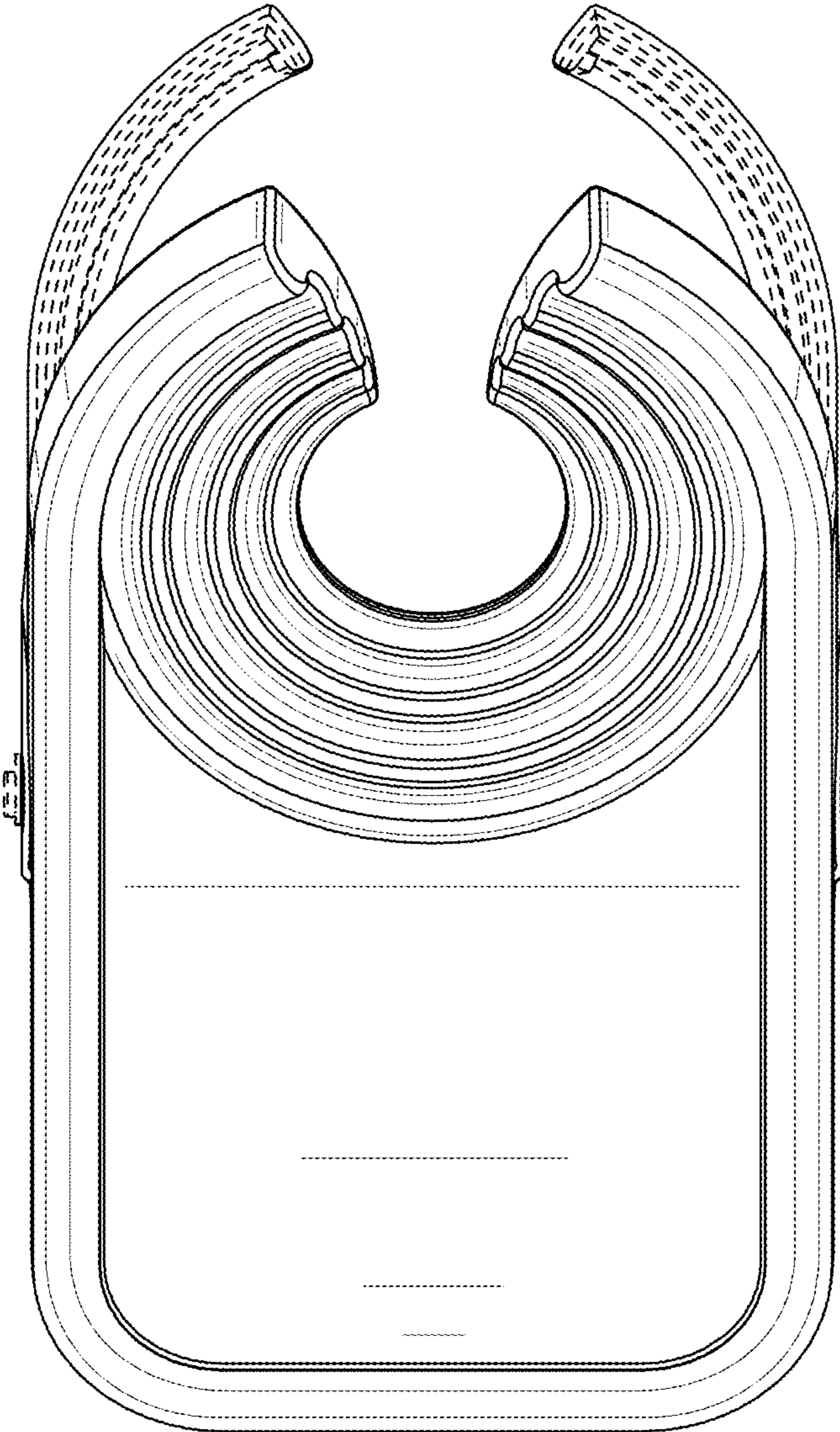


FIG. 6



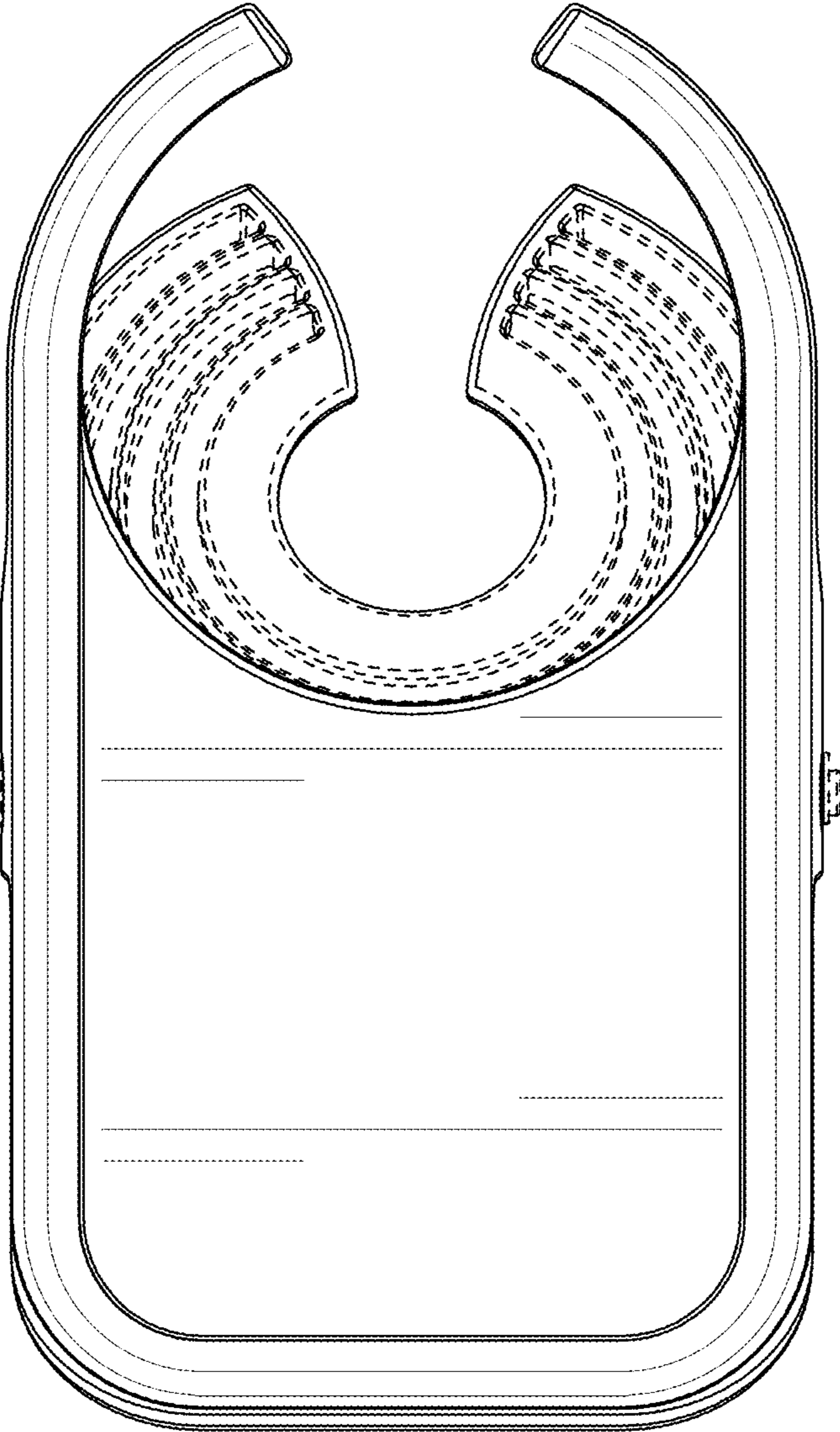


FIG. 7

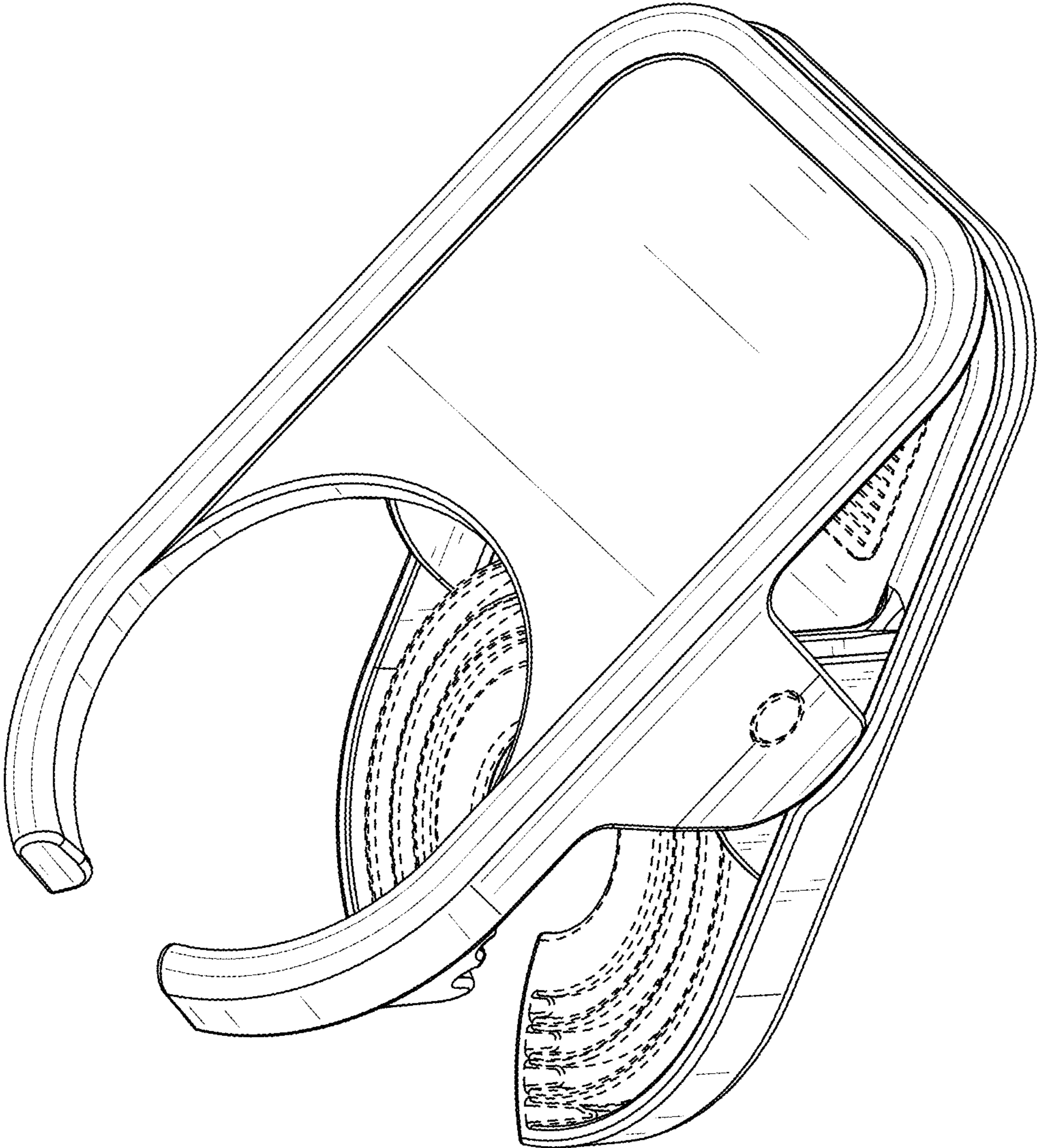


FIG. 8

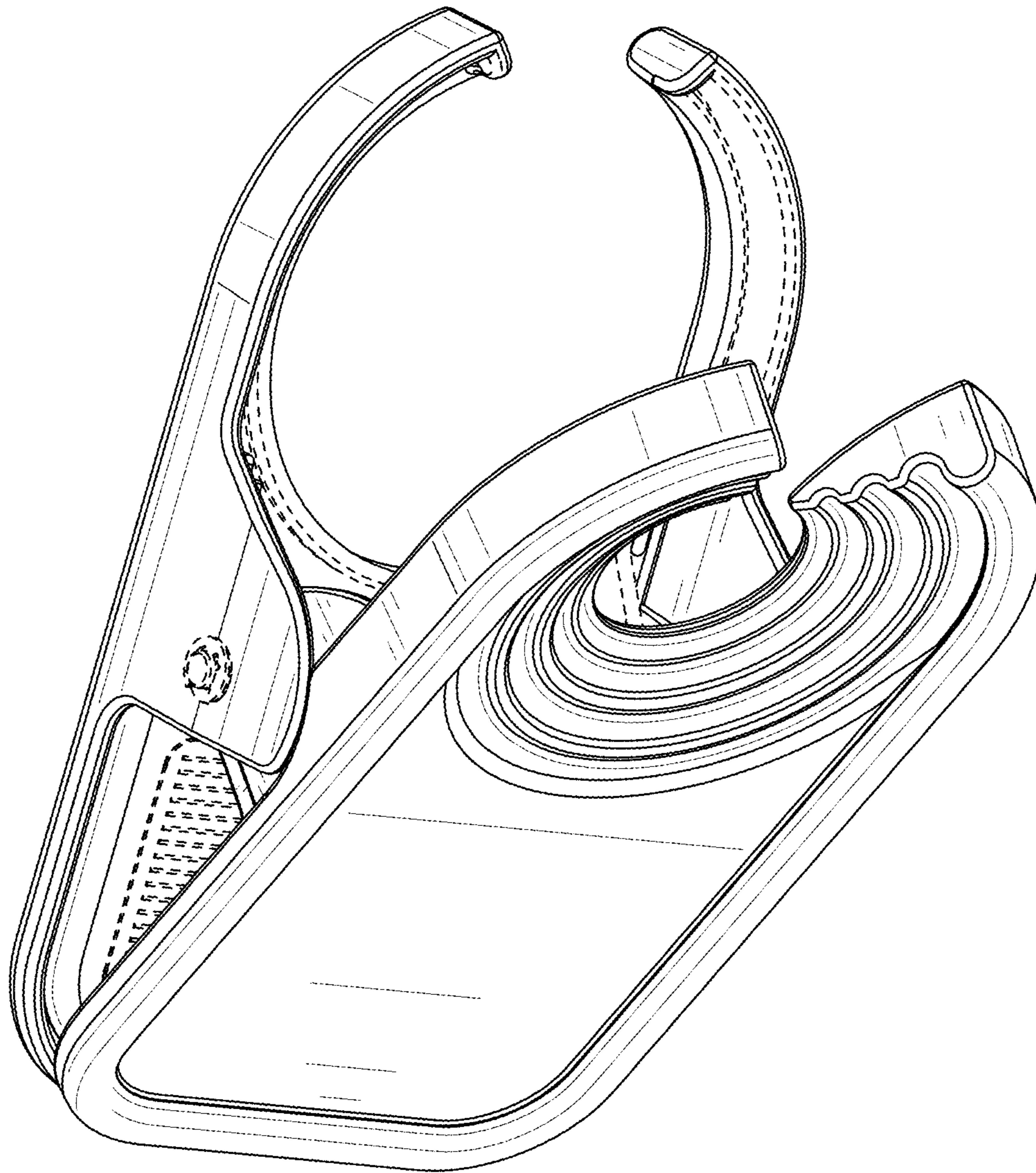


FIG. 9