



US00D832649S

(12) **United States Design Patent** (10) **Patent No.:** **US D832,649 S**  
**Liu** (45) **Date of Patent:** **\*\* Nov. 6, 2018**

(54) **KNIFE HANDLE**  
(71) Applicant: **Yunxing Liu**, Irvine, CA (US)  
(72) Inventor: **Yunxing Liu**, Irvine, CA (US)  
(\*\*) Term: **15 Years**  
(21) Appl. No.: **29/641,249**  
(22) Filed: **Mar. 20, 2018**  
(51) **LOC (11) Cl.** ..... **07-03**  
(52) **U.S. Cl.**  
USPC ..... **D7/401.2; D7/649**  
(58) **Field of Classification Search**  
USPC ..... D7/393-395, 401.2, 642-652, 693,  
D7/695-696; D8/93, 97-100, 107, 300,  
D8/321; D22/117-118  
CPC ..... A01B 1/20; A01B 1/22; A22C 25/006;  
A47G 21/06; A47G 21/065; A61B  
17/3211; A61B 17/3213; B21D 53/64;  
B25G 1/102; B25G 3/36; B26B 1/00;  
B26B 1/08; B26B 1/10; B26B 3/00;  
B26B 3/02; B26B 3/03; B26B 3/04;  
B26B 3/06; B26B 5/00; B26B 5/001;  
B26B 5/007; B26B 7/00; B26B 7/005;  
B26B 9/00; B26B 9/02; B26B 11/00;  
B26B 11/006; B26B 17/00; B26B 17/006;  
B26B 29/02  
See application file for complete search history.

(56) **References Cited**  
U.S. PATENT DOCUMENTS  
D16,736 S \* 6/1886 Kenyon ..... D7/649  
5,528,834 A \* 6/1996 Seber ..... B25G 1/102  
30/340

D551,030 S \* 9/2007 Tarrerias ..... D7/649  
D579,731 S \* 11/2008 Ono ..... D7/649  
D632,539 S \* 2/2011 Taylor ..... D8/99  
D658,455 S \* 5/2012 Wang ..... D7/649  
D690,562 S \* 10/2013 Hasegawa ..... D7/401.2  
D694,065 S \* 11/2013 Levy ..... D7/401.2  
D798,987 S \* 10/2017 Raczynowski ..... D22/118  
D815,490 S \* 4/2018 Constantine ..... D7/401.2

\* cited by examiner

*Primary Examiner* — Ricky Pham

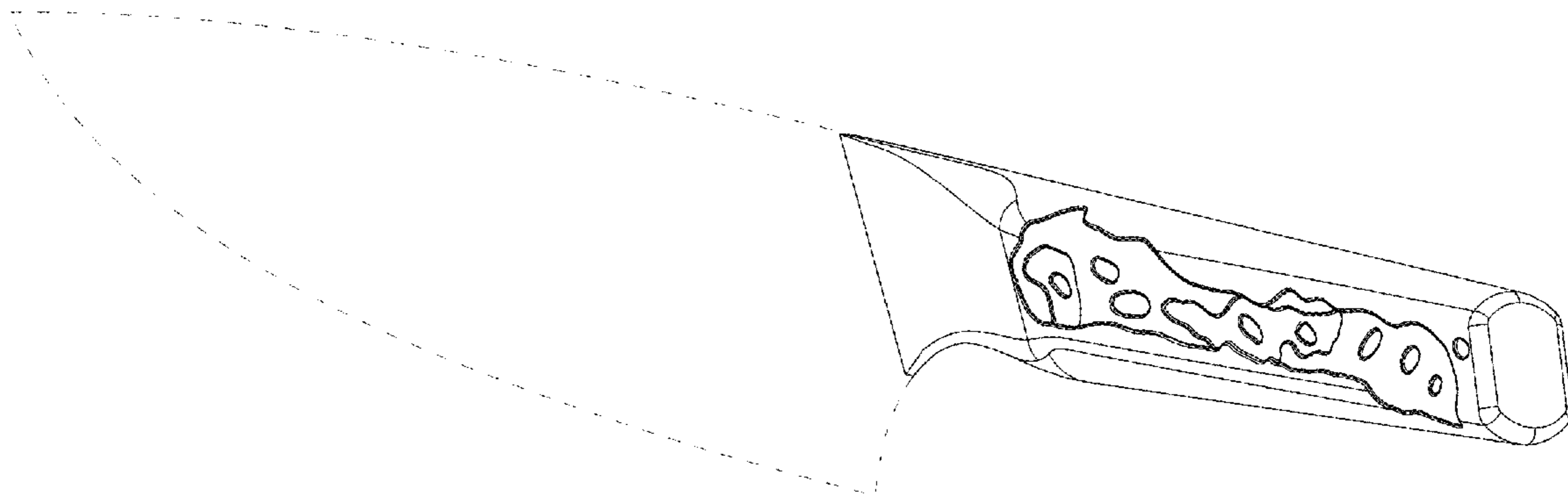
(57) **CLAIM**

The ornamental design for a knife handle, as shown and described.

**DESCRIPTION**

FIG. 1 is a rear, left side perspective of a knife handle, showing my new design.  
FIG. 2 is a left side view thereof, the right side being a mirror image.  
FIG. 3 is a top view thereof.  
FIG. 4 is a bottom view thereof.  
FIG. 5 is a rear view thereof; and,  
FIG. 6 is a front view thereof.  
The broken line portions show unclaimed subject matter only and form no part of the claimed design.

**1 Claim, 3 Drawing Sheets**



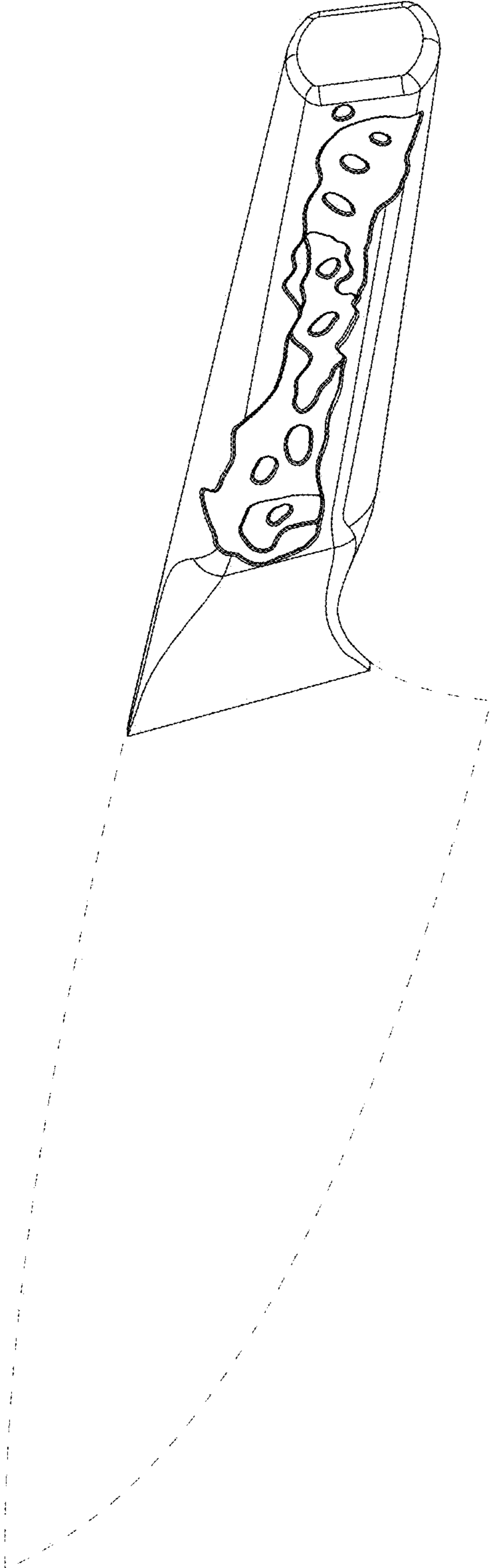


Fig. 1

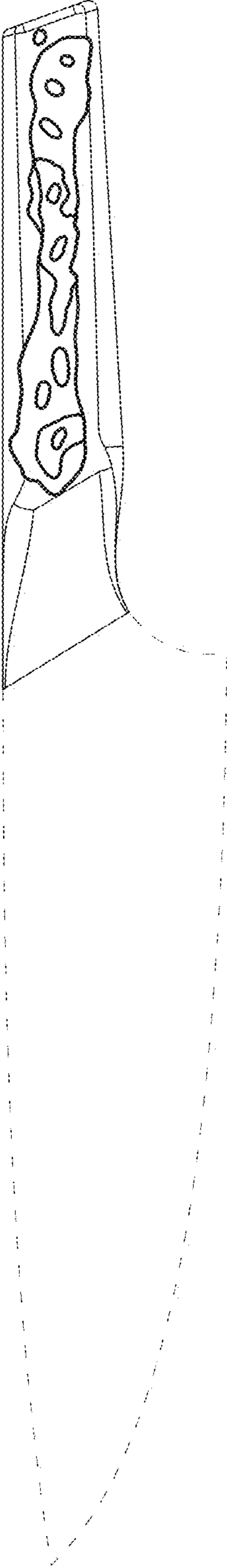


Fig. 2

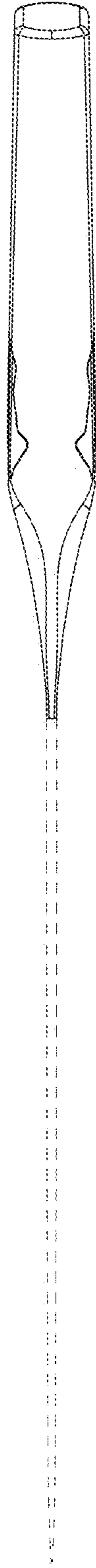


Fig. 3

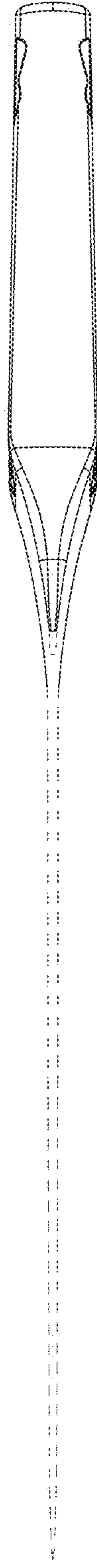


Fig. 4

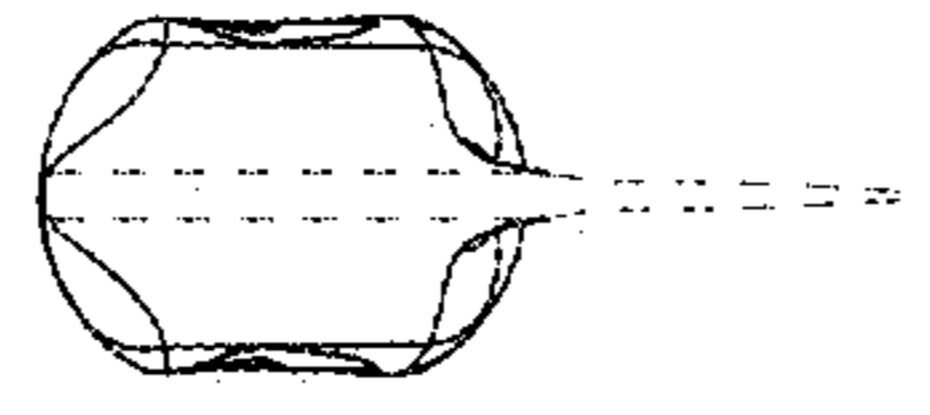


Fig. 6

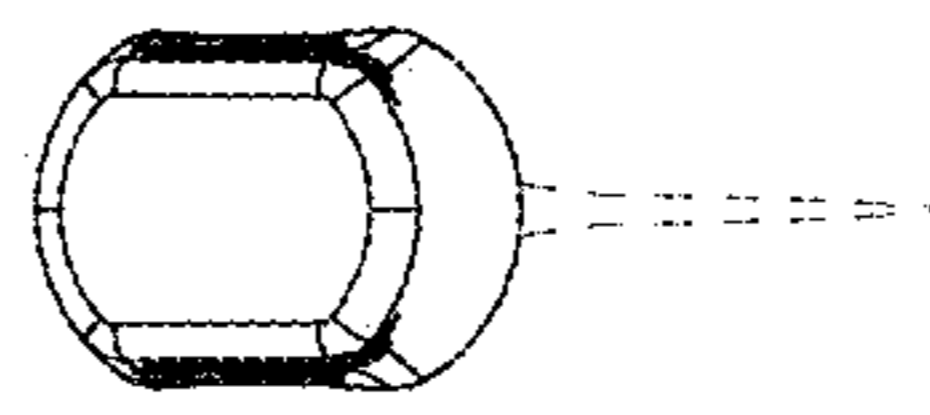


Fig. 5