



US00D832648S

(12) **United States Design Patent** (10) **Patent No.:** **US D832,648 S**
Zemel (45) **Date of Patent:** **** Nov. 6, 2018**

(54) **UTENSIL HANDLE**
(71) Applicant: **Mr. Bar-B-Q Products LLC**, Melville, NY (US)
(72) Inventor: **Marc Zemel**, Melville, NY (US)
(73) Assignee: **MR. BAR-B-Q PRODUCTS LLC**, Melville, NY (US)
(**) Term: **15 Years**
(21) Appl. No.: **29/617,481**

D231,283 S * 4/1974 Lindbo D4/132
D247,075 S * 1/1978 Krusche 15/111
D344,634 S * 3/1994 Berti D4/138
D392,104 S * 3/1998 Berti D4/138
D417,121 S 11/1999 Brunianyn
D427,025 S 6/2000 Lee
D427,858 S 7/2000 Zemel
D428,705 S * 8/2000 Larson D4/118
D431,753 S 10/2000 Cohen et al.
D431,960 S 10/2000 Hay
D442,026 S 5/2001 Rae
D445,654 S 7/2001 Yu
D448,973 S 10/2001 Hay et al.
D456,207 S 4/2002 Zemel
D456,615 S 5/2002 Zemel

(Continued)

(22) Filed: **Sep. 14, 2017**
(51) **LOC (11) Cl.** **07-03**
(52) **U.S. Cl.**
USPC **D7/401.2; D7/395; D7/664**
(58) **Field of Classification Search**
USPC D4/117-118, 132, 138; D7/368, 395, D7/401.2, 637, 642-645, 653-664, 669, D7/675-677, 683, 688-689, 691; D8/107, 300-301; D22/117-118
CPC ... A01D 9/02; A01D 9/04; A01D 9/06; A47G 21/00; A47G 21/004; A47G 21/005; A47G 21/02; A47G 21/023; A47G 21/04; A47G 21/06; A47G 21/08; A47J 43/28; A47J 43/281; A47J 43/282; A61F 13/10; A61J 7/0023; B25G 1/00; B25G 1/01; B25G 1/02; B25G 3/00; B65D 75/56; B65D 75/563; B65D 75/566; B67B 7/00; B67B 7/724; B67B 7/73
See application file for complete search history.

(56) **References Cited**
U.S. PATENT DOCUMENTS
D146,729 S 4/1947 Storm
D194,374 S * 1/1963 Wildgen D7/653
D197,637 S * 3/1964 Vallis D4/118
D203,072 S * 11/1965 Casta D7/653
D227,622 S * 7/1973 Lindbo D4/132

OTHER PUBLICATIONS

Design U.S. Appl. No. 29/611,478, filed Jul. 21, 2017 in the name of Blue Rhino Global Sourcing, Inc.

Primary Examiner — Ricky Pham
(74) *Attorney, Agent, or Firm* — Carter, DeLuca, Farrell & Schmidt, LLP

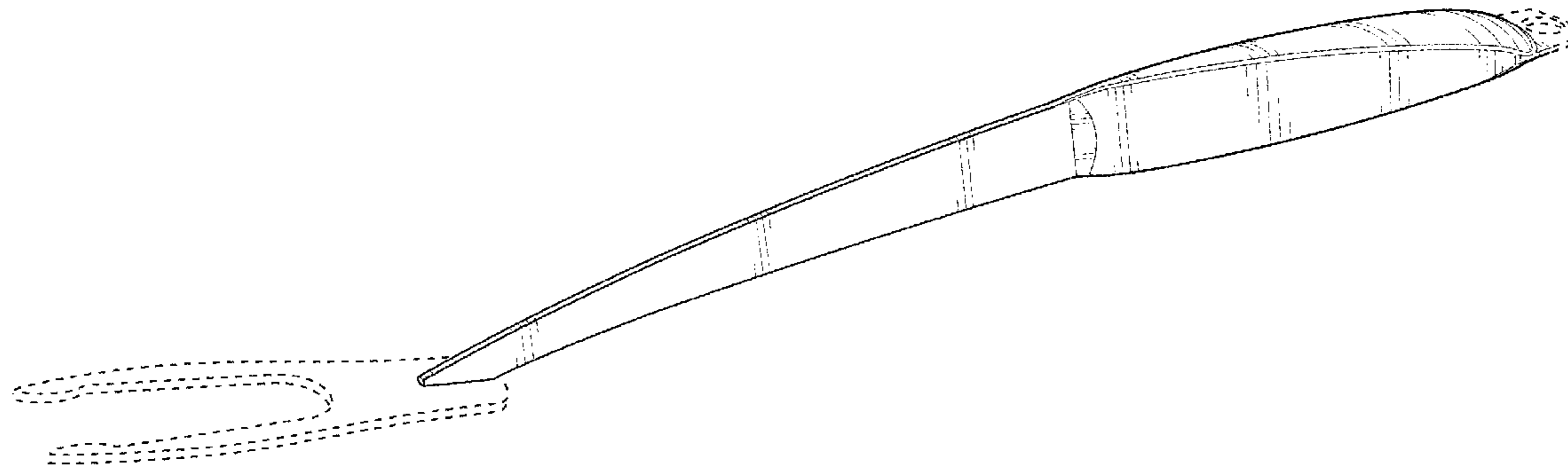
(57) **CLAIM**

The ornamental design for a utensil handle, as shown and described.

DESCRIPTION

FIG. 1 is a perspective view of a utensil handle in accordance with the present design;
FIG. 2 is a right side elevational view thereof;
FIG. 3 is a left side elevational view thereof;
FIG. 4 is a rear elevational view thereof;
FIG. 5 is a front elevational view thereof;
FIG. 6 is a top plan view thereof; and,
FIG. 7 is a bottom plan view thereof.
The broken lines shown in the drawings illustrate portions of the utensil handle that form no part of the claimed design.

1 Claim, 4 Drawing Sheets



(56)

References Cited

U.S. PATENT DOCUMENTS

D456,667 S 5/2002 Veltri et al.
 D463,720 S * 10/2002 Rorke D7/653
 D463,952 S 10/2002 Zemel
 D465,336 S 11/2002 Zemel
 D474,644 S 5/2003 Zemel
 D476,525 S 7/2003 Zemel
 D481,906 S 11/2003 Knor
 D482,566 S 11/2003 Zemel
 D482,569 S 11/2003 Zemel
 D491,413 S 6/2004 Rosenthal
 D492,543 S 7/2004 Munari
 D494,006 S 8/2004 Zemel
 D494,807 S 8/2004 Zemel
 D496,558 S 9/2004 Zemel
 D503,071 S 3/2005 Lu
 D528,857 S 9/2006 Zemel
 D529,333 S 10/2006 Zemel
 D529,335 S 10/2006 Zemel
 D531,853 S 11/2006 Zemel
 D533,397 S 12/2006 Zemel
 D534,001 S 12/2006 Zemel
 D535,147 S 1/2007 Zemel
 D535,519 S 1/2007 Zemel
 7,162,802 B2 * 1/2007 Benardeau A47G 21/02
 16/422
 D544,750 S 6/2007 Zemel

D545,120 S 6/2007 Zemel
 D545,121 S 6/2007 Zemel
 D550,504 S 9/2007 Zemel
 D562,062 S 2/2008 Zemel
 D562,064 S 2/2008 Zemel
 D563,675 S 3/2008 Zemel
 D564,292 S 3/2008 Zemel
 D566,460 S 4/2008 Zemel
 D569,174 S 5/2008 Zemel
 D572,079 S 7/2008 Zemel
 D572,080 S 7/2008 Zemel
 D574,184 S 8/2008 Zemel
 D578,826 S 10/2008 Lu
 D579,269 S 10/2008 Zemel
 D579,668 S 11/2008 Zemel
 D580,659 S 11/2008 Zemel
 D588,868 S 3/2009 Zemel
 D618,499 S 6/2010 Zemel
 D622,542 S 8/2010 Zemel
 D629,650 S 12/2010 Funka, Jr. et al.
 D631,289 S 1/2011 Tuli
 D658,433 S 5/2012 Zemel
 D658,937 S 5/2012 Zemel
 D660,141 S 5/2012 Zemel
 D663,159 S 7/2012 Zemel
 D690,153 S 9/2013 Zemel
 D702,996 S 4/2014 Zemel et al.
 D737,626 S 9/2015 Lu
 D773,242 S 12/2016 Zemel et al.

* cited by examiner

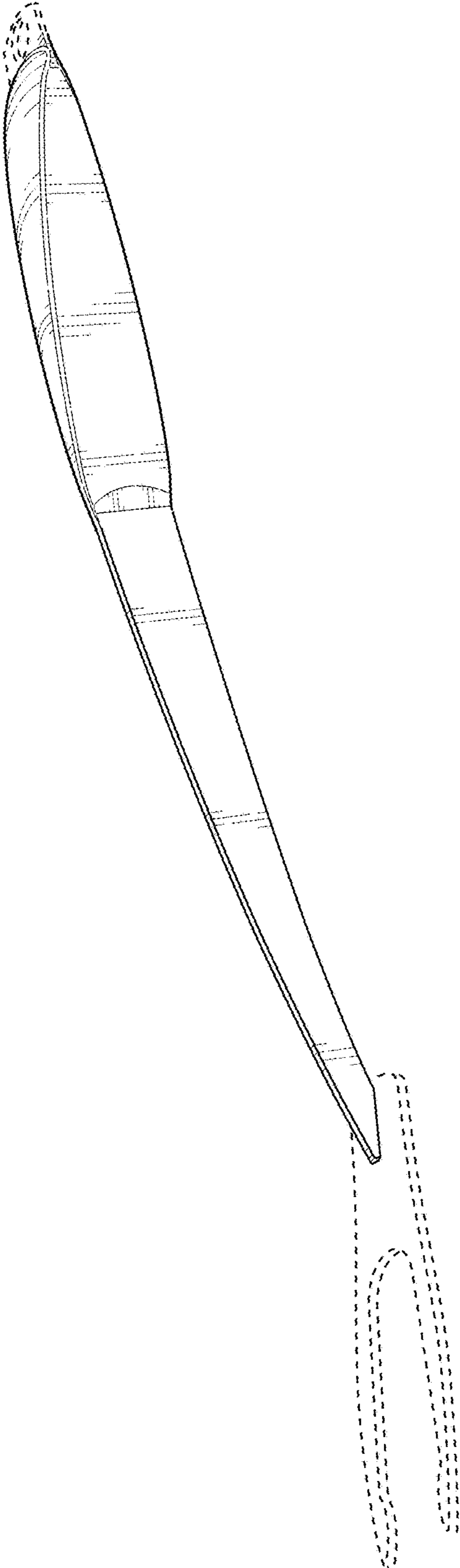


FIG. 1

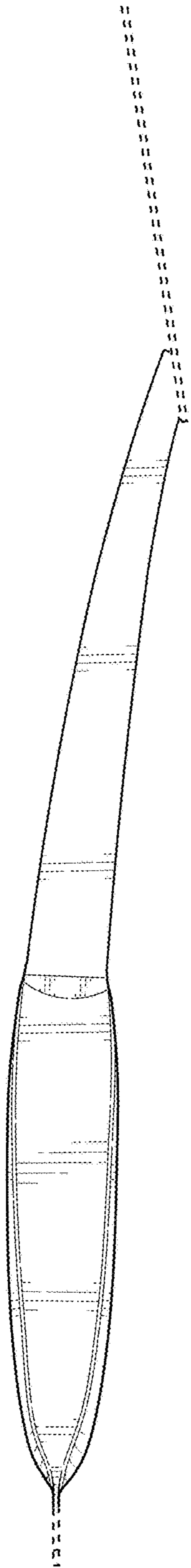


FIG. 2

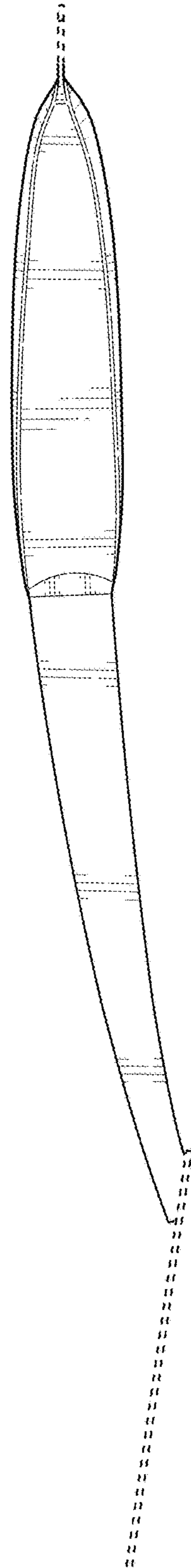


FIG. 3

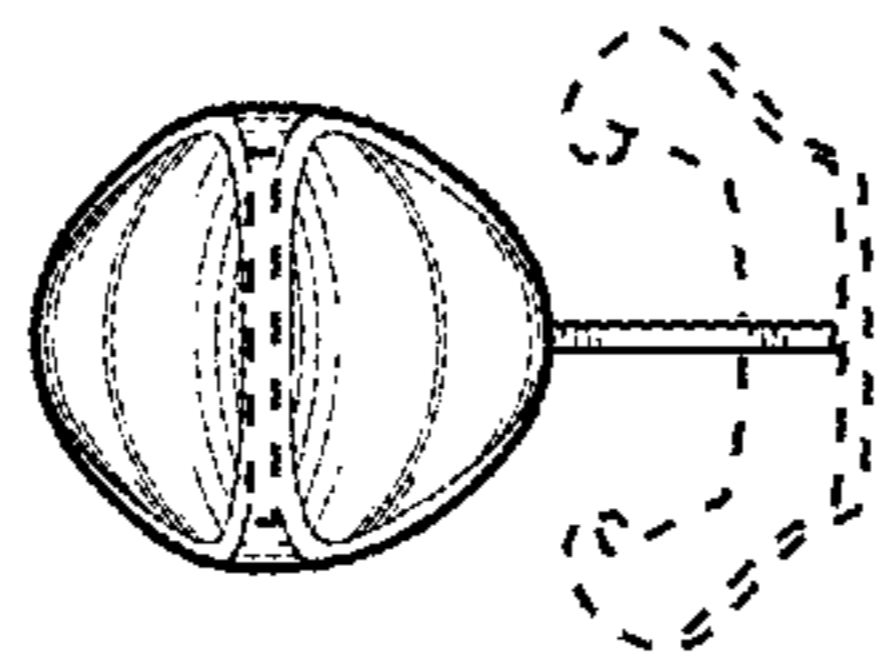


FIG. 5

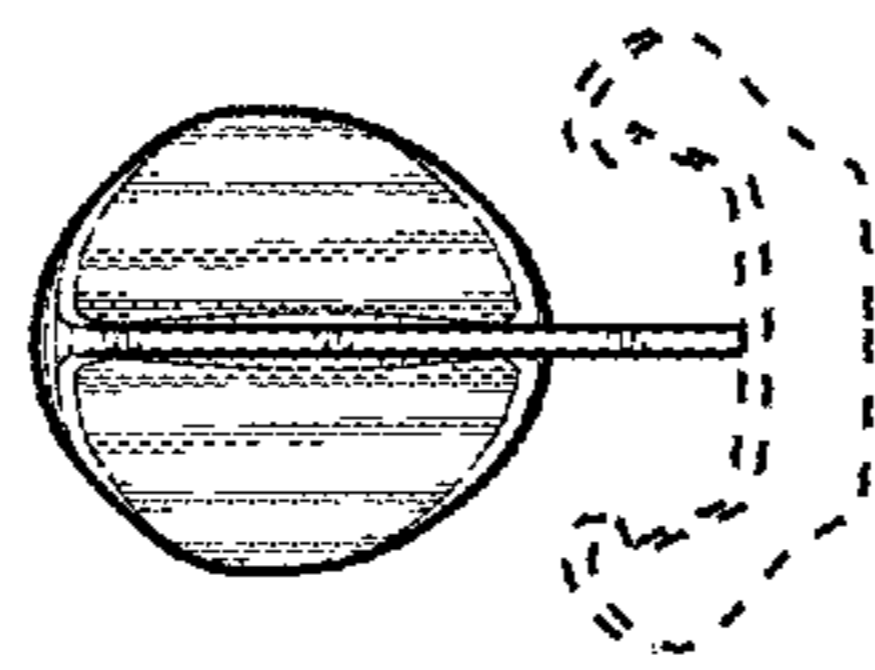


FIG. 4

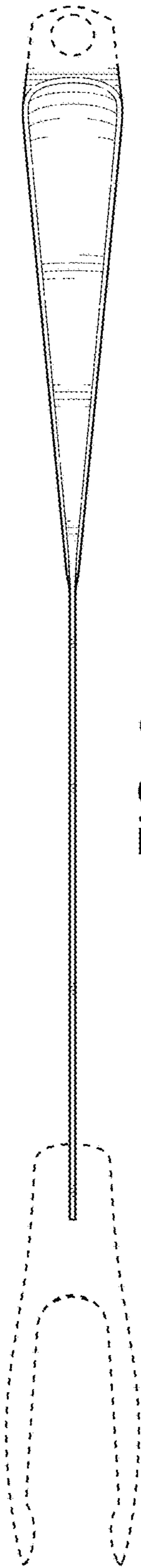


FIG. 6

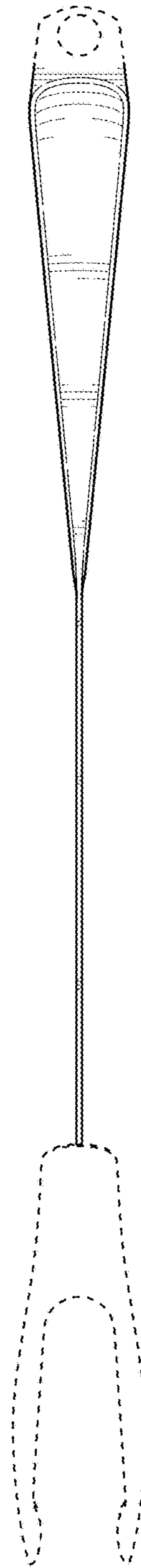


FIG. 7