

US00D832647S

(12) **United States Design Patent** (10) **Patent No.:** **US D832,647 S**  
**Ohtake** (45) **Date of Patent:** **\*\* Nov. 6, 2018**

(54) **BEVERAGE DISPENSING VALVE**  
(71) Applicant: **Hoshizaki Corporation**, Aichi (JP)  
(72) Inventor: **Tomihiko Ohtake**, Aichi (JP)  
(73) Assignee: **Hoshizaki Corporation**, Aichi (JP)  
(\*\*) Term: **15 Years**

8,418,992 B2 \* 4/2013 Meyer ..... F16K 35/025  
251/102  
D719,403 S \* 12/2014 Halioua ..... D7/397  
D754,474 S \* 4/2016 Minica ..... D7/397  
D754,819 S \* 4/2016 Bonomi ..... D23/233

\* cited by examiner

*Primary Examiner* — Derrick E Holland  
*Assistant Examiner* — Andrew Kerr  
(74) *Attorney, Agent, or Firm* — Osha Liang LLP

(21) Appl. No.: **29/595,515**  
(22) Filed: **Feb. 28, 2017**

(57) **CLAIM**  
The ornamental design for a beverage dispensing valve, as shown and described.

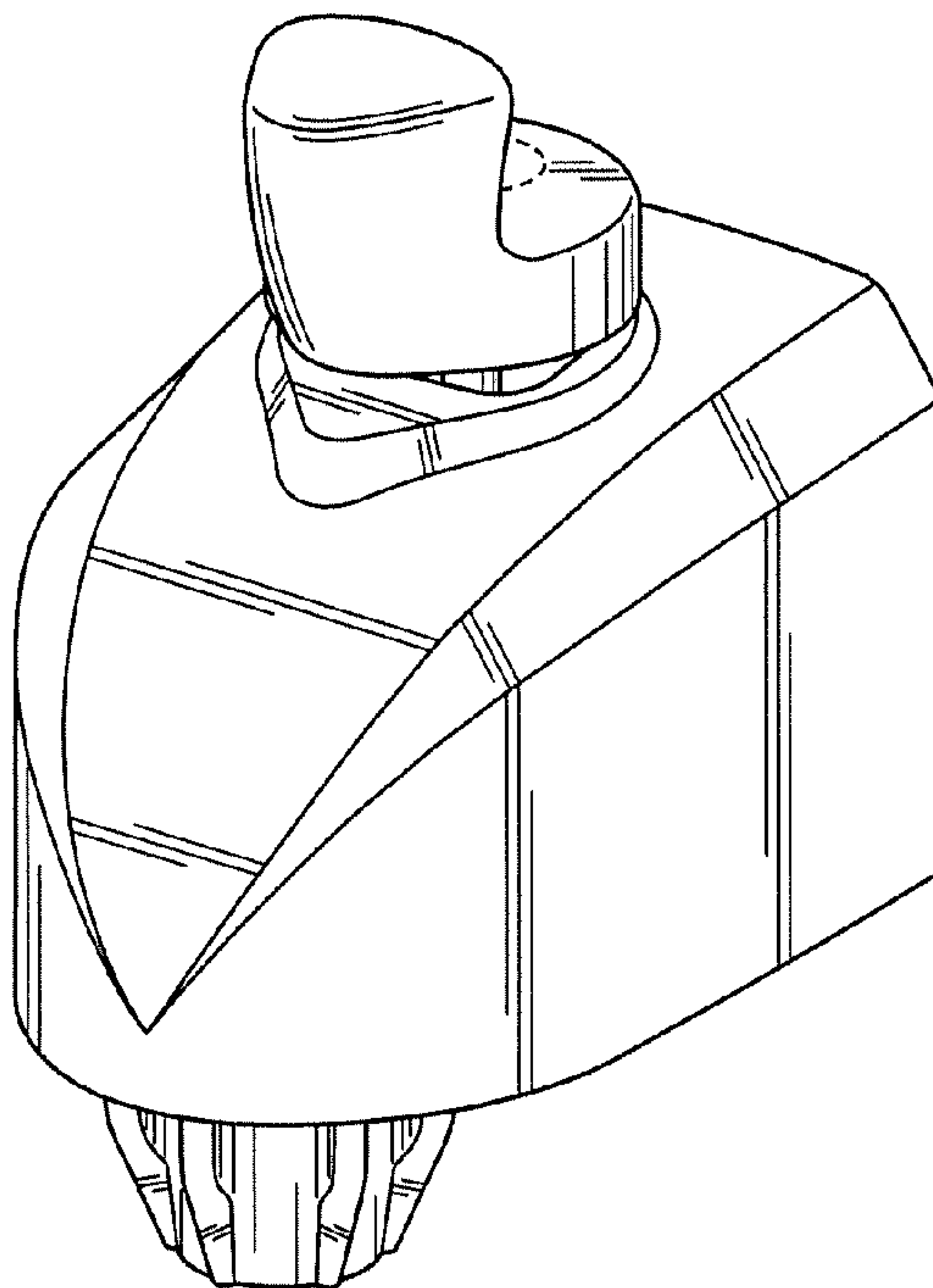
(30) **Foreign Application Priority Data**  
Aug. 31, 2016 (JP) ..... 2016-018641  
(51) **LOC (11) Cl.** ..... **07-99**  
(52) **U.S. Cl.**  
USPC ..... **D7/398**  
(58) **Field of Classification Search**  
USPC ..... D7/213, 300, 304, 306, 307, 308,  
D7/310-314, 387, 397-399; D23/213,  
D23/233, 249, 250, 252  
CPC ..... B67D 1/00; B67D 1/1405  
See application file for complete search history.

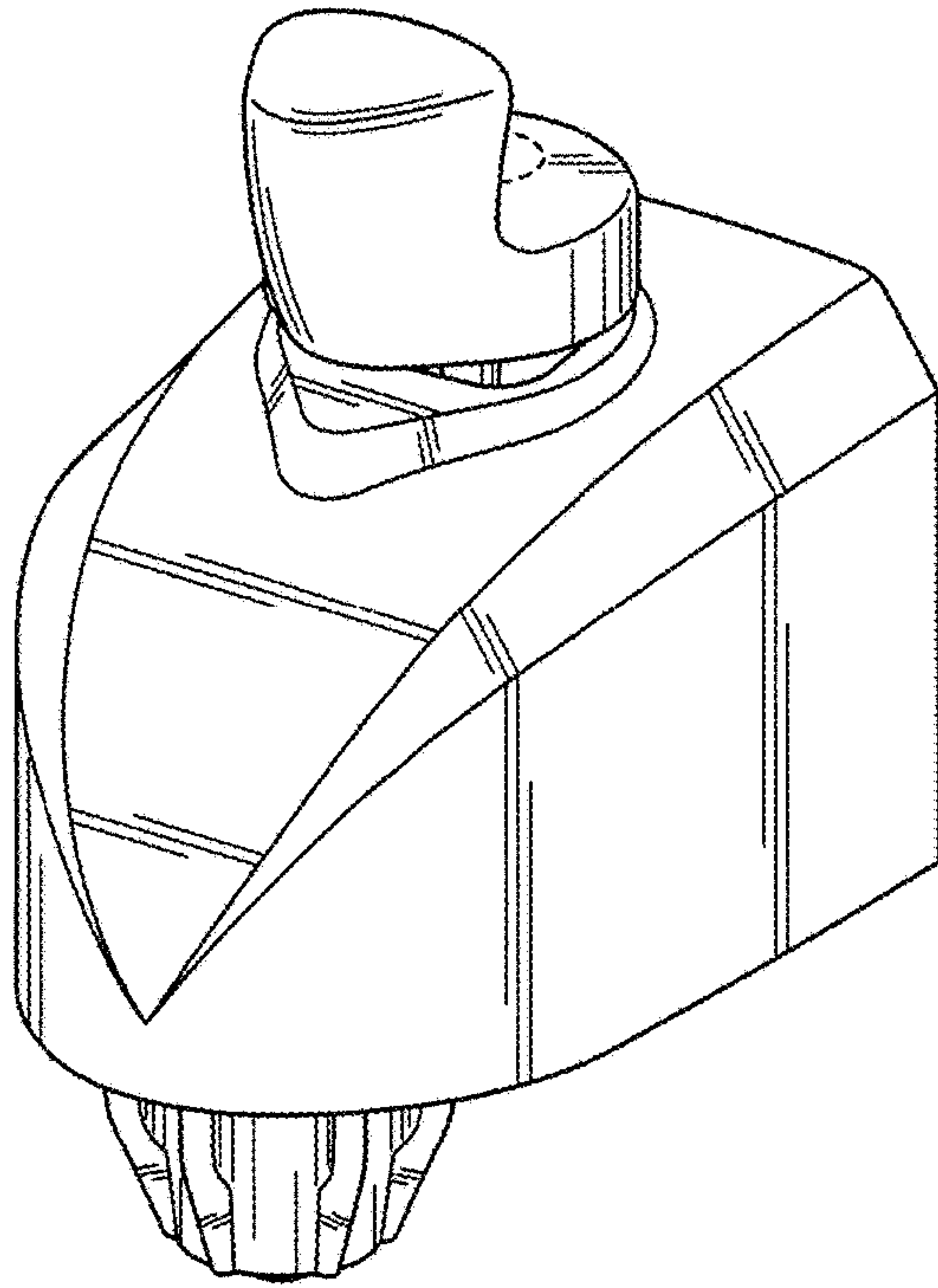
**DESCRIPTION**

FIG. 1 is a front, top and right side perspective view a beverage dispensing valve showing my new design; FIG. 2 is a front elevation view thereof; FIG. 3 is a rear elevation view thereof; FIG. 4 is a right side elevation view thereof; FIG. 5 is a bottom plan view thereof; FIG. 6 is a top plan view thereof; and, FIG. 7 is a front, top and right side perspective view thereof, in use condition.  
The broken lines shown in FIGS. 2, 3, and 5-7 are included for the purpose of illustrating unclaimed portions of beverage dispensing valve and form no part of the claimed design. The broken lines shown in FIG. 7 are included for the purpose of illustrating an unclaimed environmental structure of beverage dispensing valve and form no part of the claimed design.

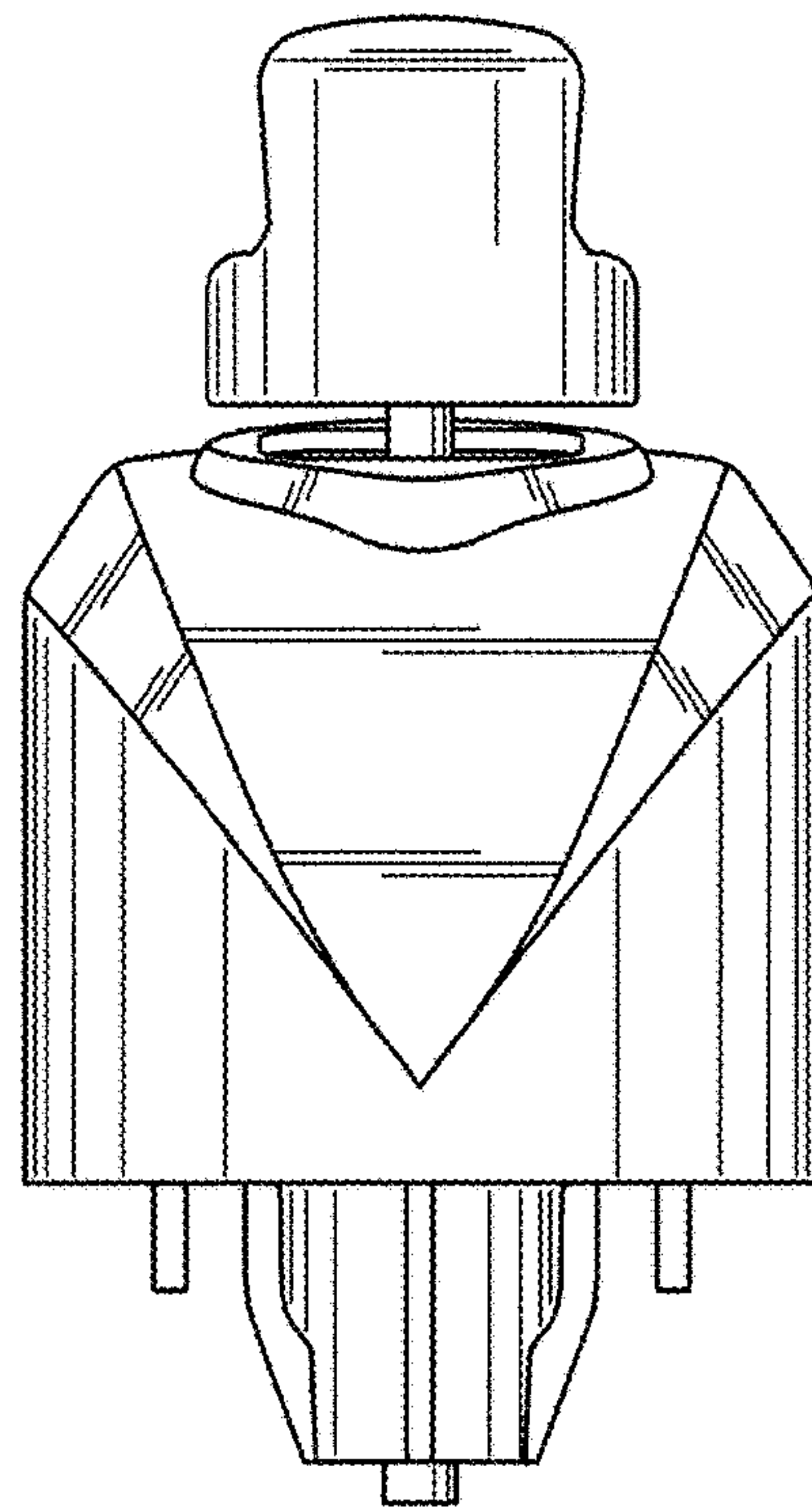
(56) **References Cited**  
U.S. PATENT DOCUMENTS  
D288,014 S \* 1/1987 Perkins ..... D32/18  
D438,111 S \* 2/2001 Woods ..... D9/447

**1 Claim, 4 Drawing Sheets**



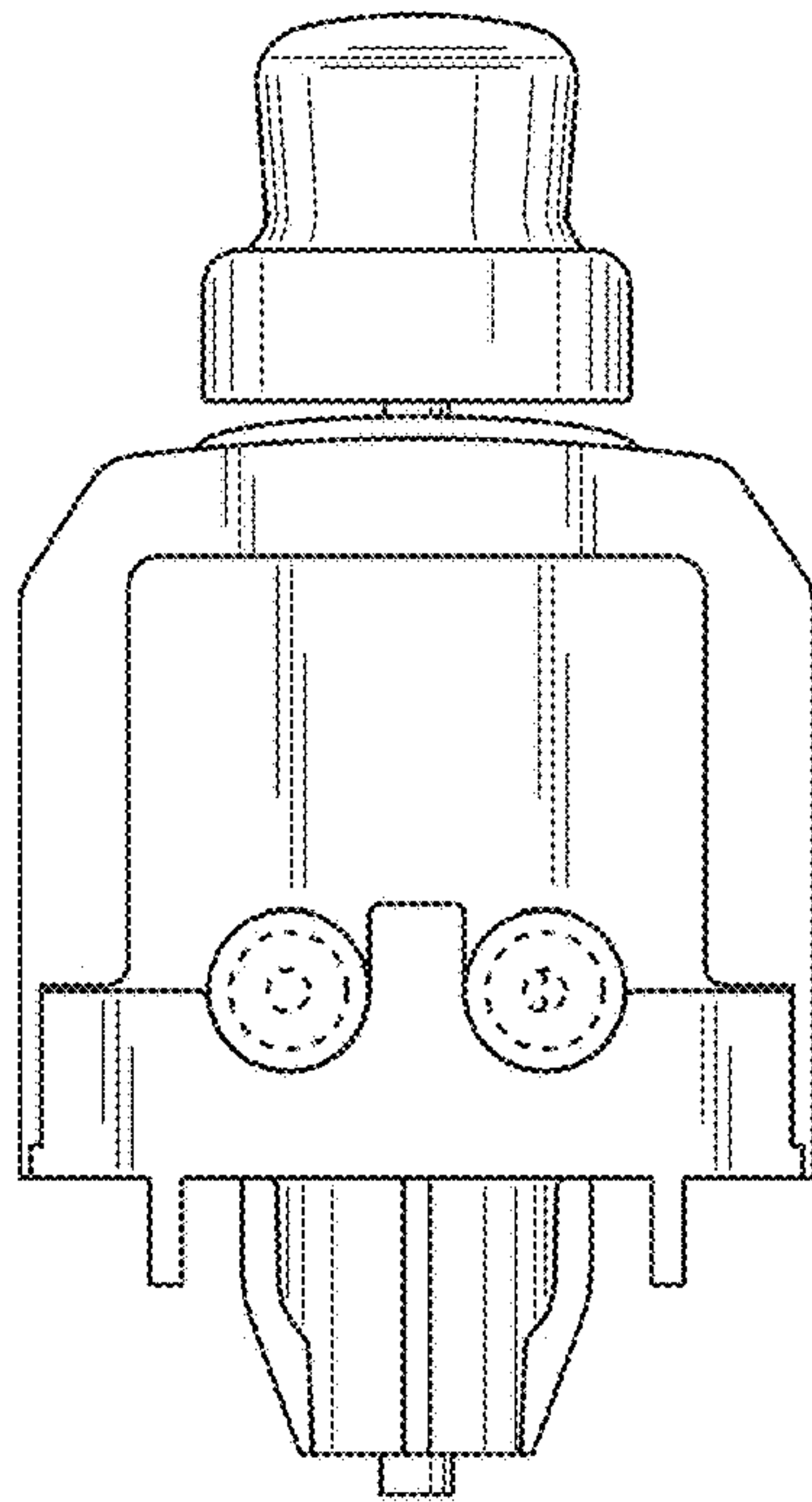


**FIG. 1**

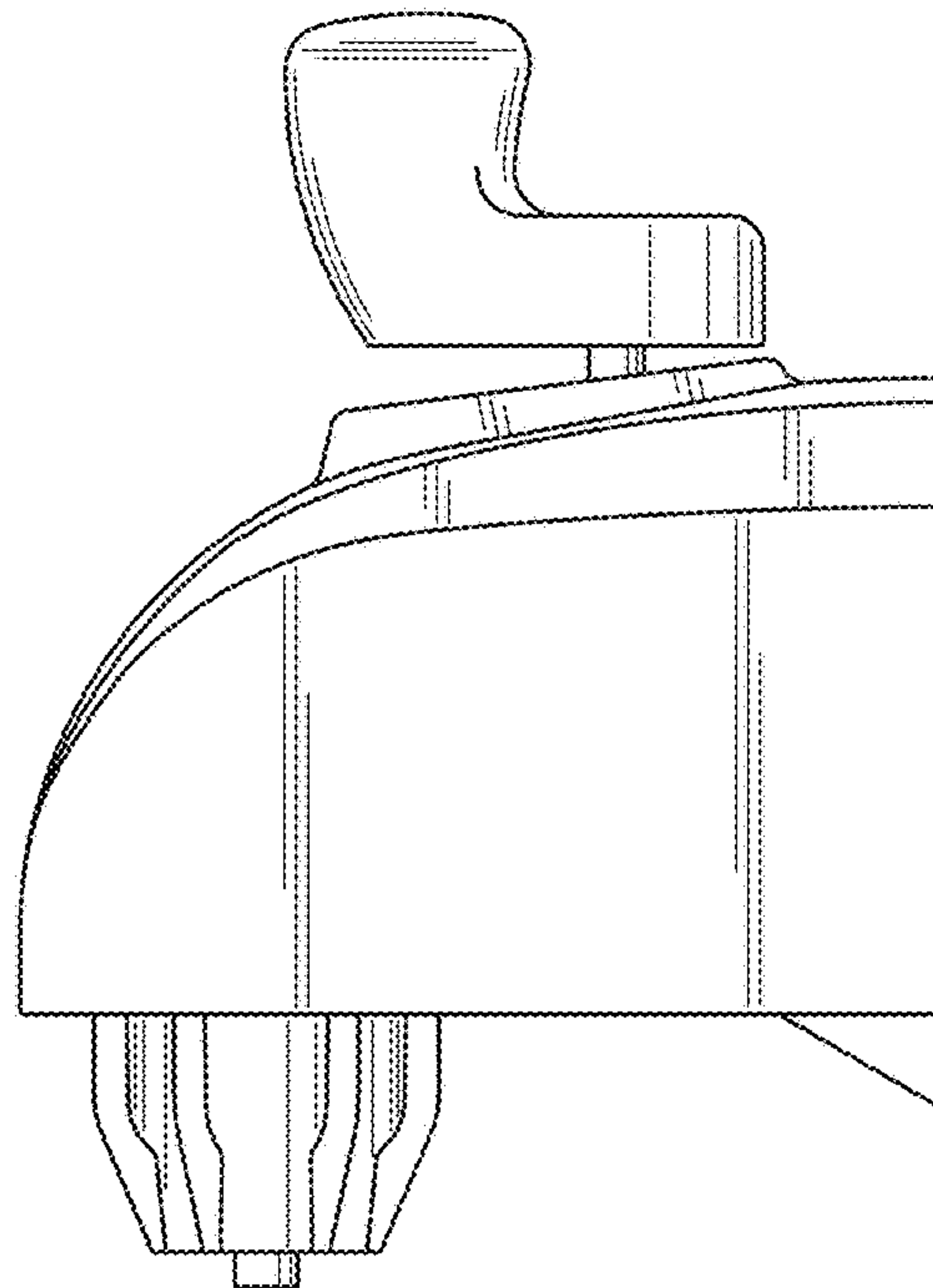


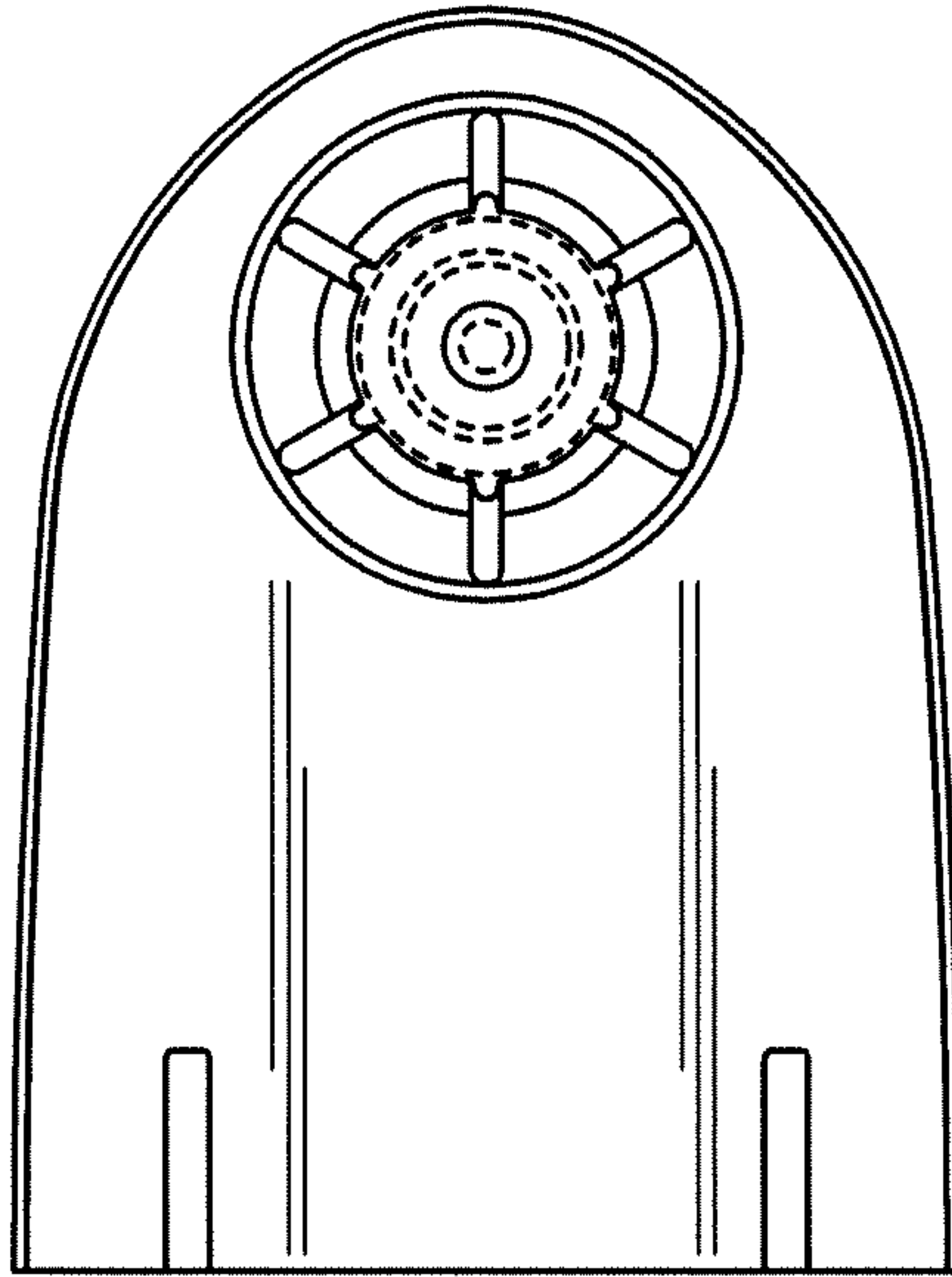
**FIG. 2**

**FIG. 3**

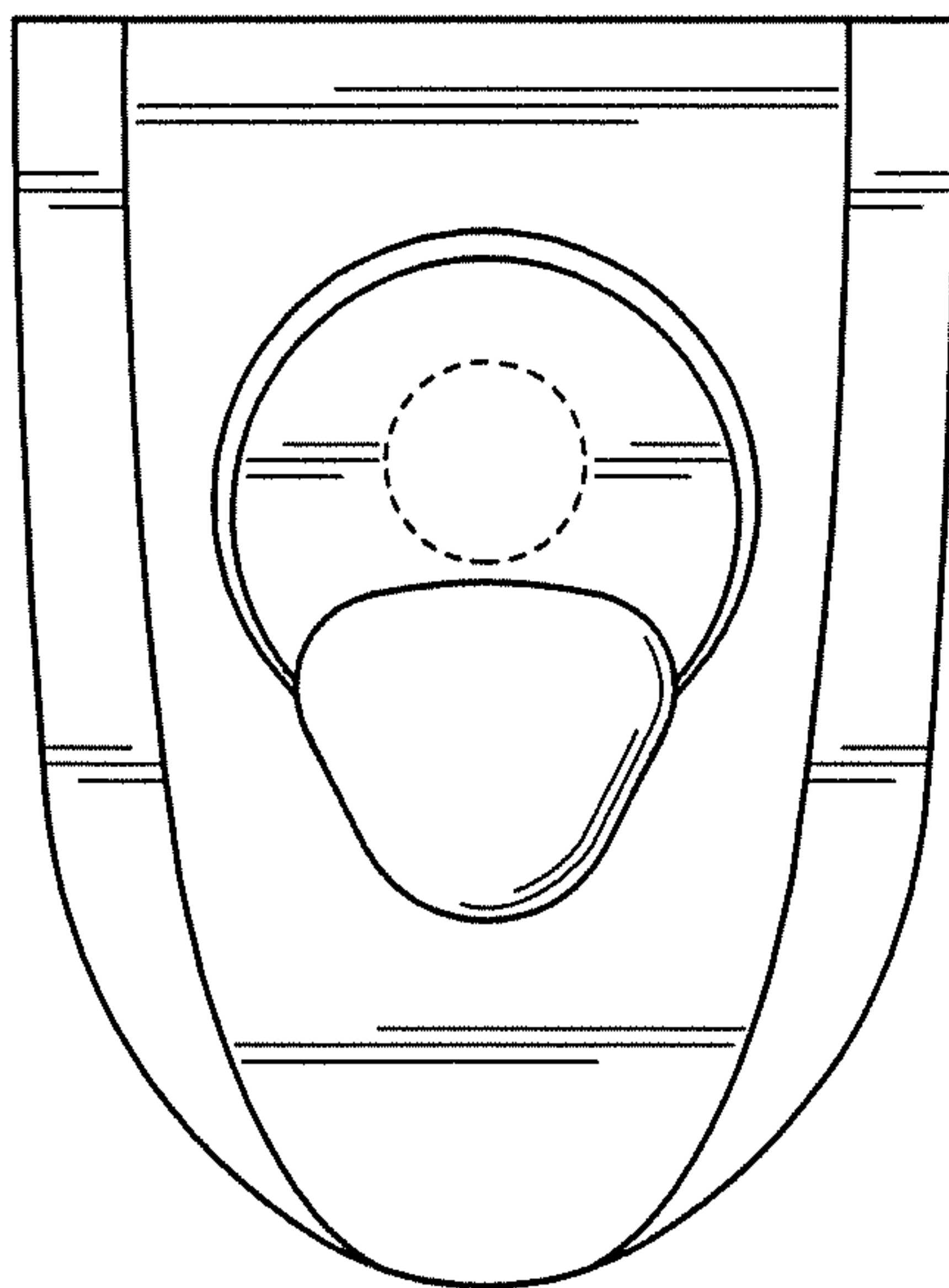


**FIG. 4**

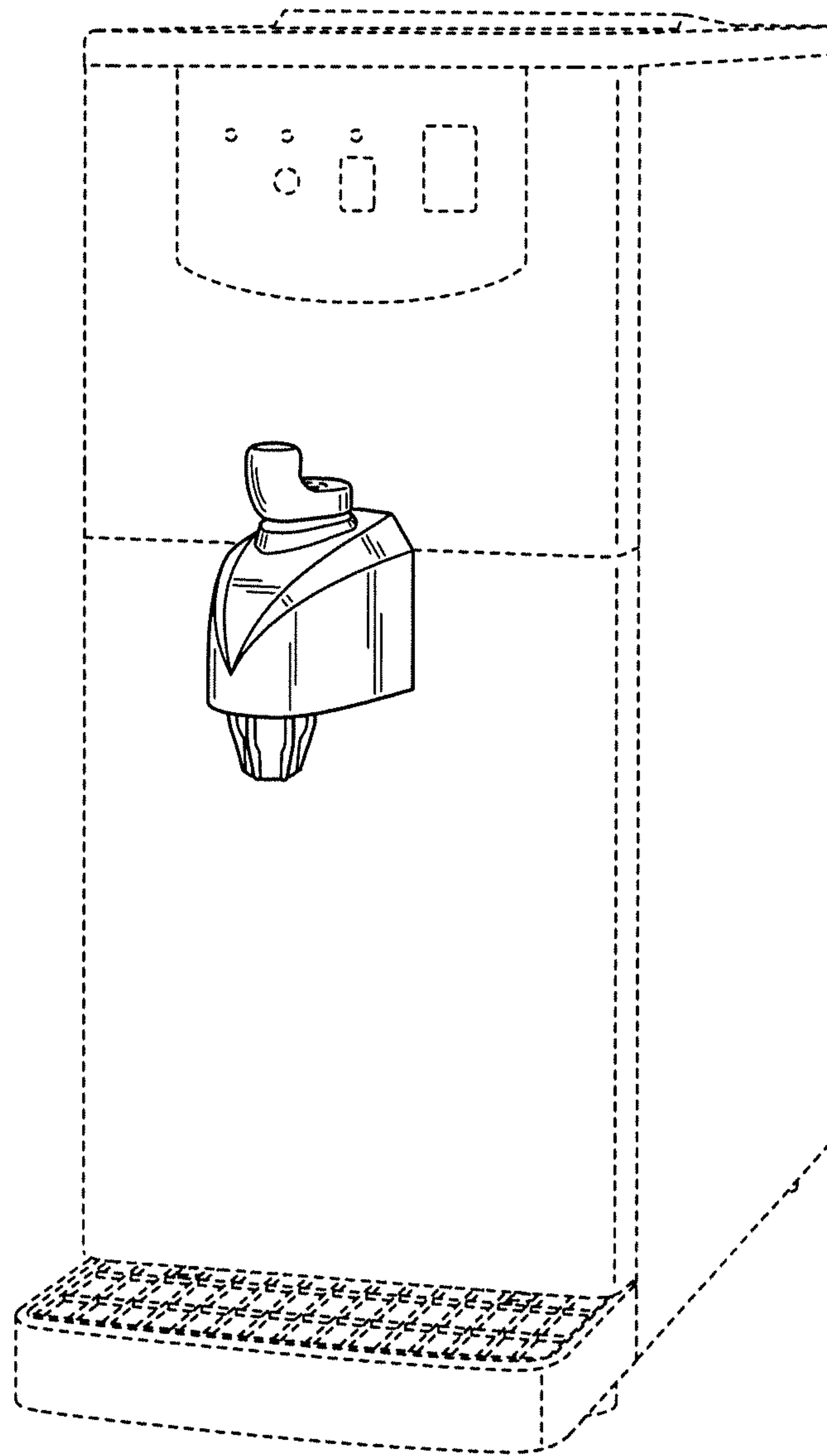




**FIG. 5**



**FIG. 6**



**FIG. 7**