

US00D832642S

(12) **United States Design Patent** (10) **Patent No.:** **US D832,642 S**  
**Buck** (45) **Date of Patent:** **\*\* Nov. 6, 2018**

- (54) **BEVERAGE LID WITH FOOD CONTAINER**
- (71) Applicant: **Ronald Mark Buck**, Encinitas, CA (US)
- (72) Inventor: **Ronald Mark Buck**, Encinitas, CA (US)
- (73) Assignee: **SNACKTOPS, Inc.**, Carlsbad, CA (US)
- (\*\*) Term: **15 Years**
- (21) Appl. No.: **29/577,527**
- (22) Filed: **Sep. 13, 2016**
- (51) **LOC (11) Cl.** ..... **07-99**
- (52) **U.S. Cl.**  
USPC ..... **D7/392.1; D7/900**
- (58) **Field of Classification Search**  
USPC ..... D7/387, 392, 392.1, 392.2, 393, 396.2, D7/396.3, 396.4, 401.1, 507, 509-511, D7/538, 900  
CPC . A47G 19/22; B65D 1/00; B65D 1/02; B65D 1/10; B65D 1/46; B65D 5/46; B65D 41/00; B65D 41/38; B65D 41/56; B65D 41/62; B65D 47/00; B65D 47/06; B65D 47/08; B65D 2251/00; B65D 2543/00046;  
(Continued)

- (56) **References Cited**  
U.S. PATENT DOCUMENTS  
3,429,369 A \* 2/1969 Segal ..... A47G 19/26 126/261  
4,197,940 A \* 4/1980 DeRossett ..... A47G 19/26 220/780  
(Continued)

**OTHER PUBLICATIONS**  
 “Snack-N-Go Tumbler.” Found online Jul. 9, 2018 at www.logoexpressions.com. Image dated Feb. 10, 2017. Retrieved from

URL: [https://tineye.com/search/9ca62951506725fe-3841da4e41a40fecb1974107/?extension\\_ver=chrome-1.2.0](https://tineye.com/search/9ca62951506725fe-3841da4e41a40fecb1974107/?extension_ver=chrome-1.2.0) (Year: 2017).\*  
(Continued)

*Primary Examiner* — Garth Rademaker  
*Assistant Examiner* — Katelin G Kloberg  
 (74) *Attorney, Agent, or Firm* — Manuel de la Cerra

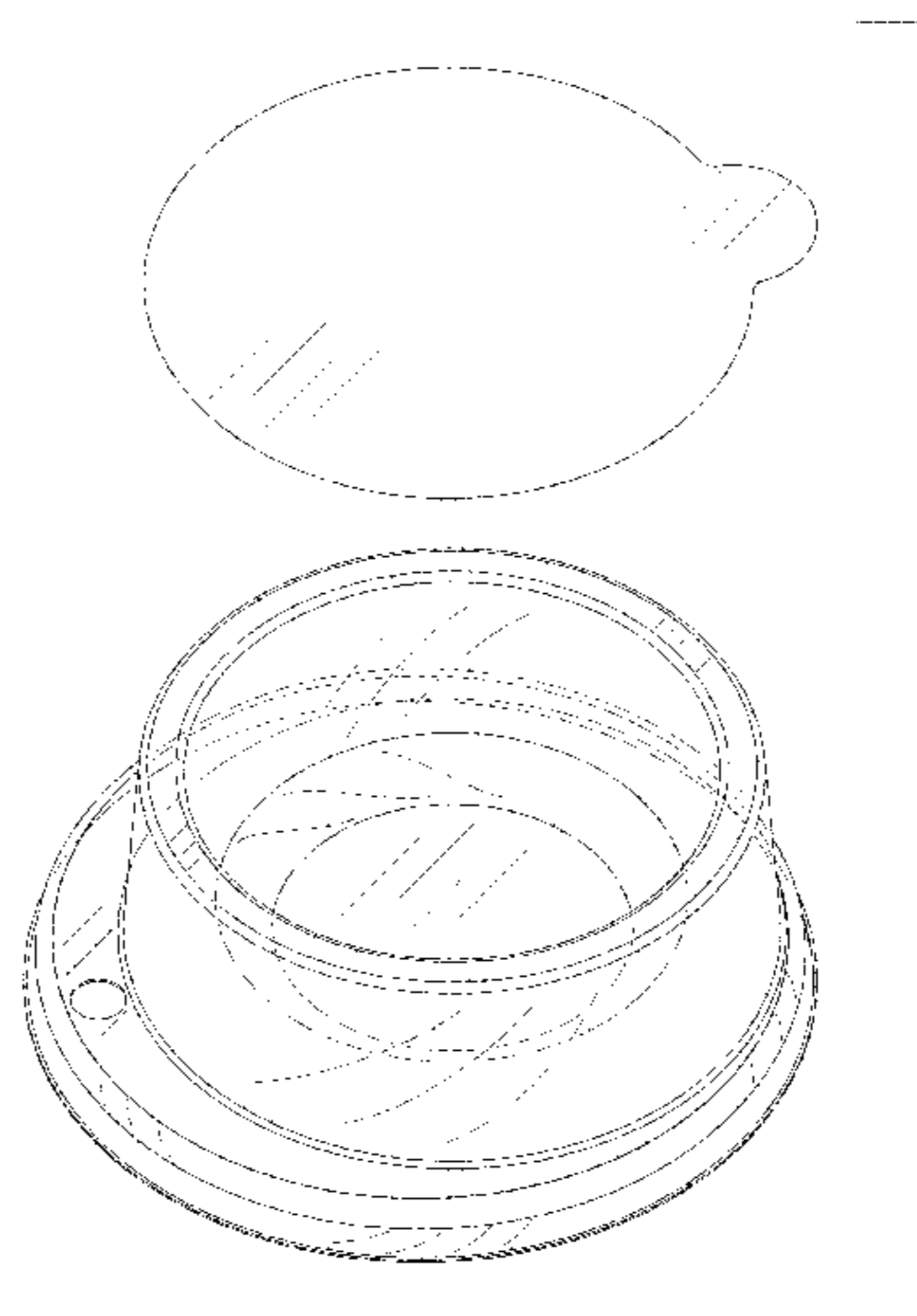
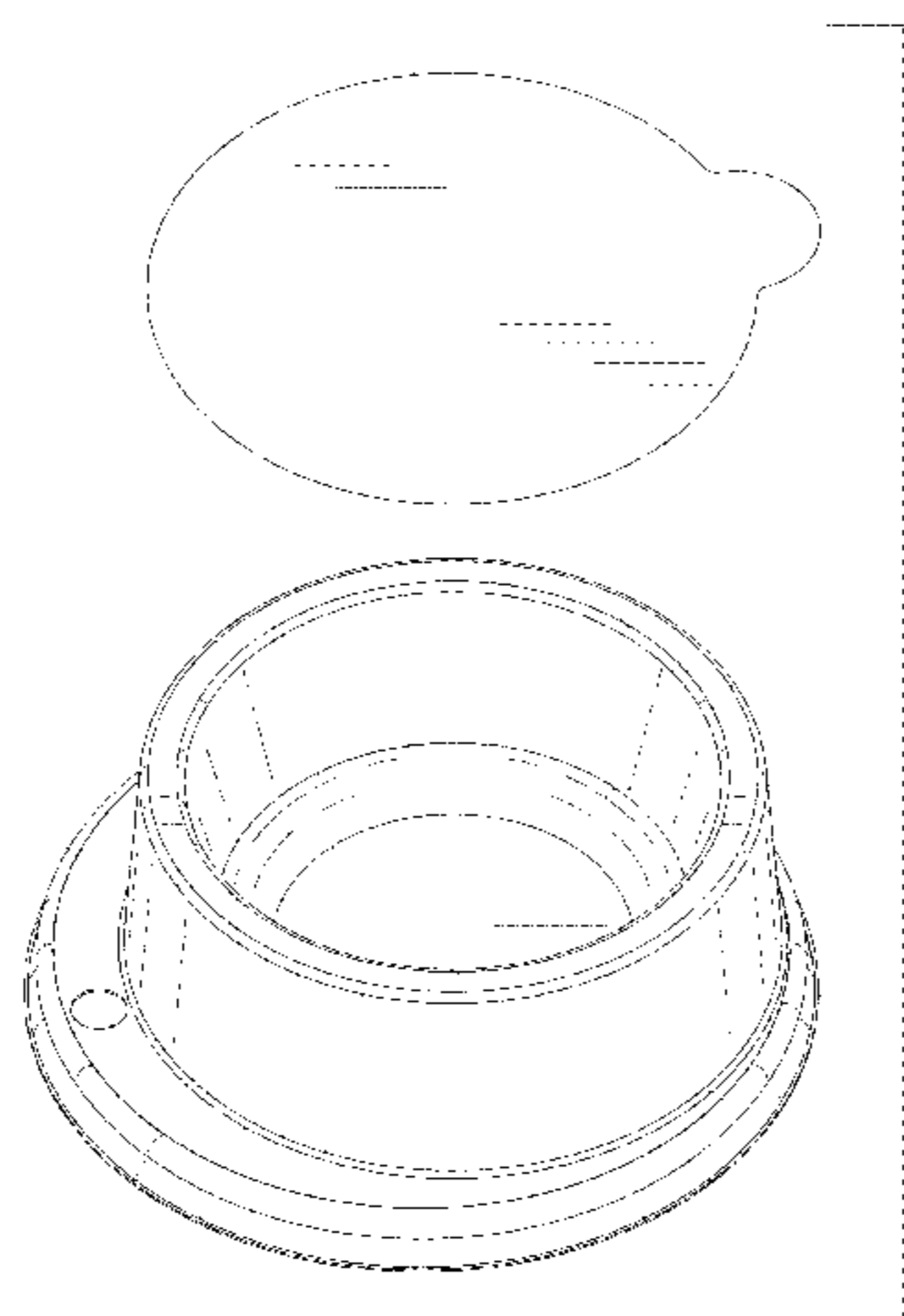
(57) **CLAIM**

The ornamental design for a beverage lid with food container, as shown and described.

**DESCRIPTION**

FIG. 1 is a top perspective view of a beverage lid with food container showing a first embodiment of my new design; FIG. 2 is an exploded top perspective view thereof, showing two parts; FIG. 3 is a bottom perspective view thereof; FIG. 4 is a top perspective view of a beverage lid with food container, showing a second embodiment of my design; FIG. 5 is an exploded top perspective view thereof, showing two parts; FIG. 6 is a bottom perspective view thereof; FIG. 7 is a top perspective view of the first embodiment shown within an environment of use; FIG. 8 is an exploded top perspective view thereof; FIG. 9 is an exploded top view of the first embodiment, showing two parts; FIG. 10 is an exploded bottom view thereof; FIG. 11 is a front view thereof; FIG. 12 is a rear view thereof; and, FIG. 13 is a left-side view thereof with the right-side view being a mirror image thereof.  
 The broken lines depicting a beverage container and straw represent environmental subject matter that forms no part of the claimed design.

**1 Claim, 11 Drawing Sheets**



- (58) **Field of Classification Search**  
 CPC ..... B65D 2543/00092; B65D 2543/00296;  
 B65D 2585/56  
 See application file for complete search history.

(56) **References Cited**

U.S. PATENT DOCUMENTS

4,978,022 A \* 12/1990 Weick ..... B65D 43/0212  
 206/219  
 5,139,163 A \* 8/1992 Diaz ..... B65D 21/0219  
 206/509  
 5,339,982 A \* 8/1994 Tardie ..... A47G 19/2227  
 215/229  
 D381,906 S \* 8/1997 Bartsch ..... D9/438  
 D563,167 S \* 3/2008 Snedden ..... D7/505  
 D588,866 S \* 3/2009 Ho ..... D7/391  
 D618,500 S \* 6/2010 Hardaway ..... D7/396.2  
 8,056,751 B2 \* 11/2011 Vovan ..... B65D 21/0222  
 206/508  
 8,939,312 B1 \* 1/2015 Buck ..... A47G 19/065  
 220/212  
 8,973,776 B1 \* 3/2015 Buck ..... A47G 19/2272  
 220/521  
 9,150,330 B1 \* 10/2015 Stravitz ..... B65D 21/0228  
 D748,942 S \* 2/2016 Boroski ..... D7/376

D767,391 S \* 9/2016 Buck ..... D9/447  
 9,469,459 B2 \* 10/2016 Strominger ..... B65D 1/265  
 D773,896 S \* 12/2016 Dai ..... D7/507  
 D784,080 S \* 4/2017 Szymanski ..... D7/507  
 9,622,605 B2 \* 4/2017 Buck ..... A47G 19/2205  
 9,687,095 B2 \* 6/2017 Riggan ..... A47G 19/30  
 D795,688 S \* 8/2017 Buck ..... D9/428  
 D801,810 S \* 11/2017 Engel ..... D9/436  
 D817,169 S \* 5/2018 Dzikowicz ..... D9/449  
 D821,137 S \* 6/2018 Boroski ..... D7/392.1  
 10,011,401 B2 \* 7/2018 Merbach ..... B65D 43/0225  
 2016/0114947 A1 \* 4/2016 Buck ..... A47G 19/2205  
 220/713

OTHER PUBLICATIONS

“SupaCute Mini Dessert Cups Disposable Appetizer Bowls.” Found online Jul. 9, 2018 at [www.amazon.com](http://www.amazon.com). Page dated Jan. 20, 2014. Retrieved from URL: <https://www.amazon.com/SupaCute-Disposable-Appetizer-Complimentary-Containers/dp/B00HYEGR8Y> (Year: 2014).\*  
 “Yogurt and Berry Parfait.” Found online Jul. 9, 2018 at [thecrazycraftlady.com](http://thecrazycraftlady.com). Page dated Jul. 27, 2017. Retrieved from URL: <https://thecrazycraftlady.com/make-ahead-yogurt-berry-parfait/> (Year: 2017).\*

\* cited by examiner

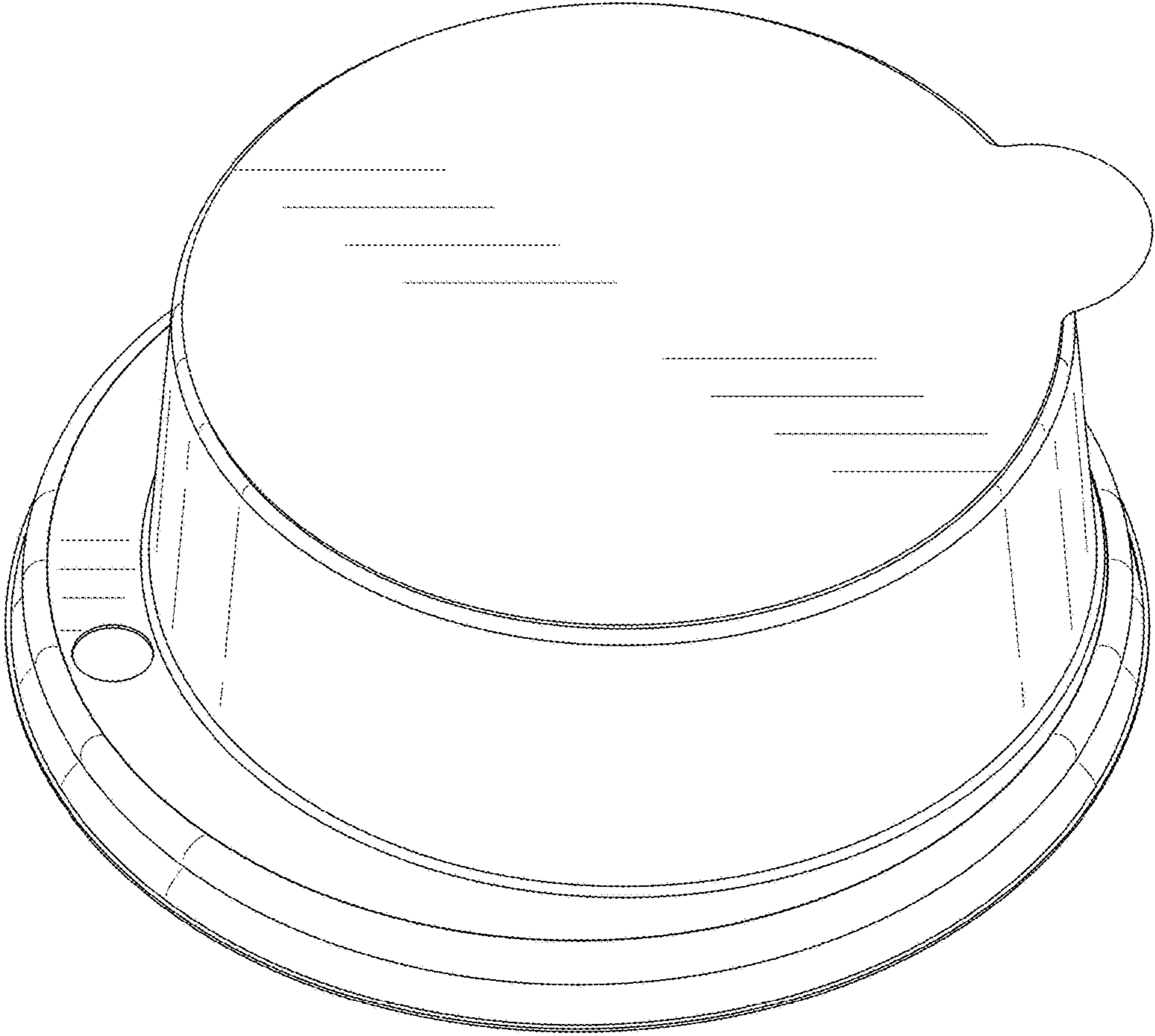


FIG. 1

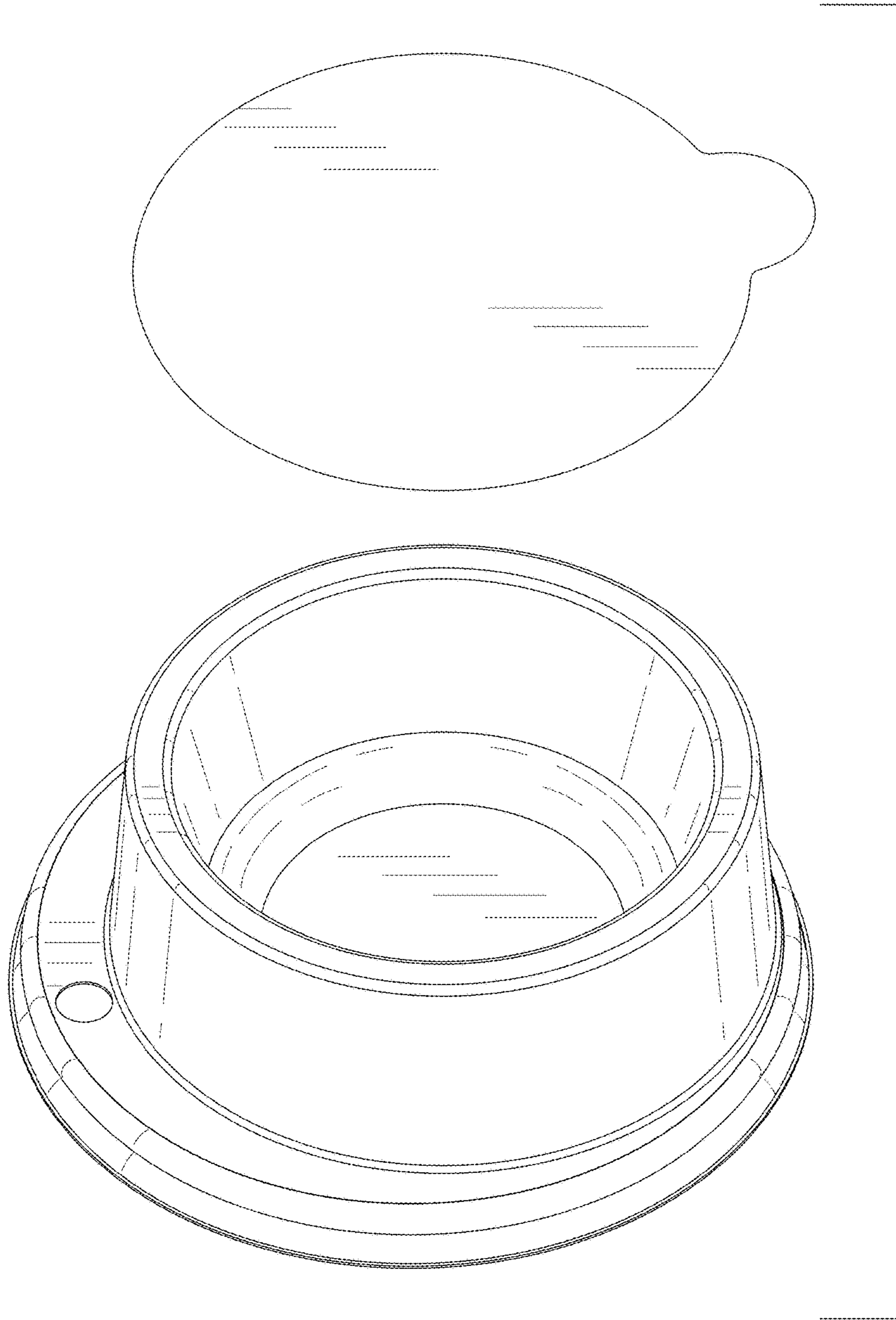


FIG. 2

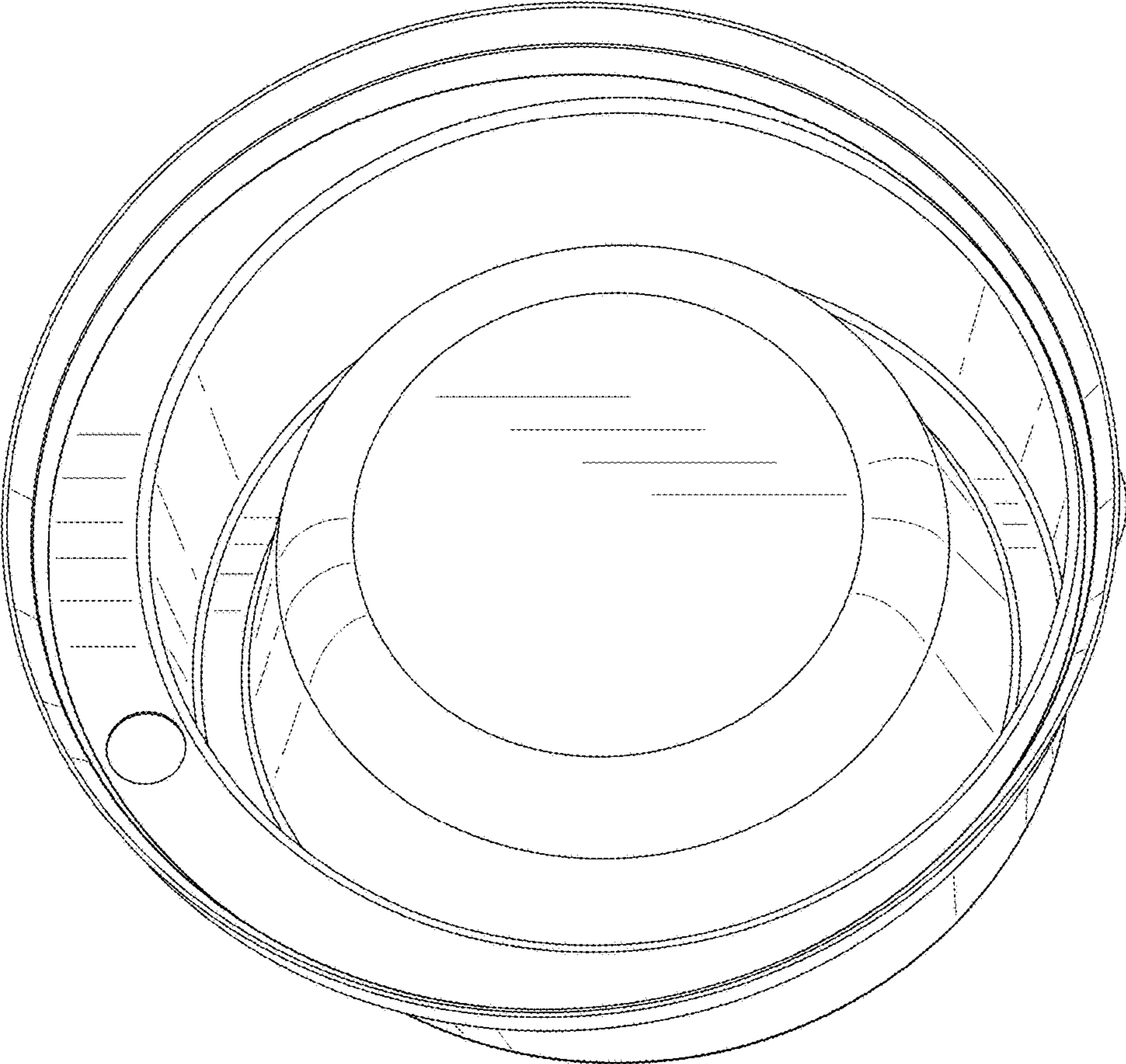


FIG. 3

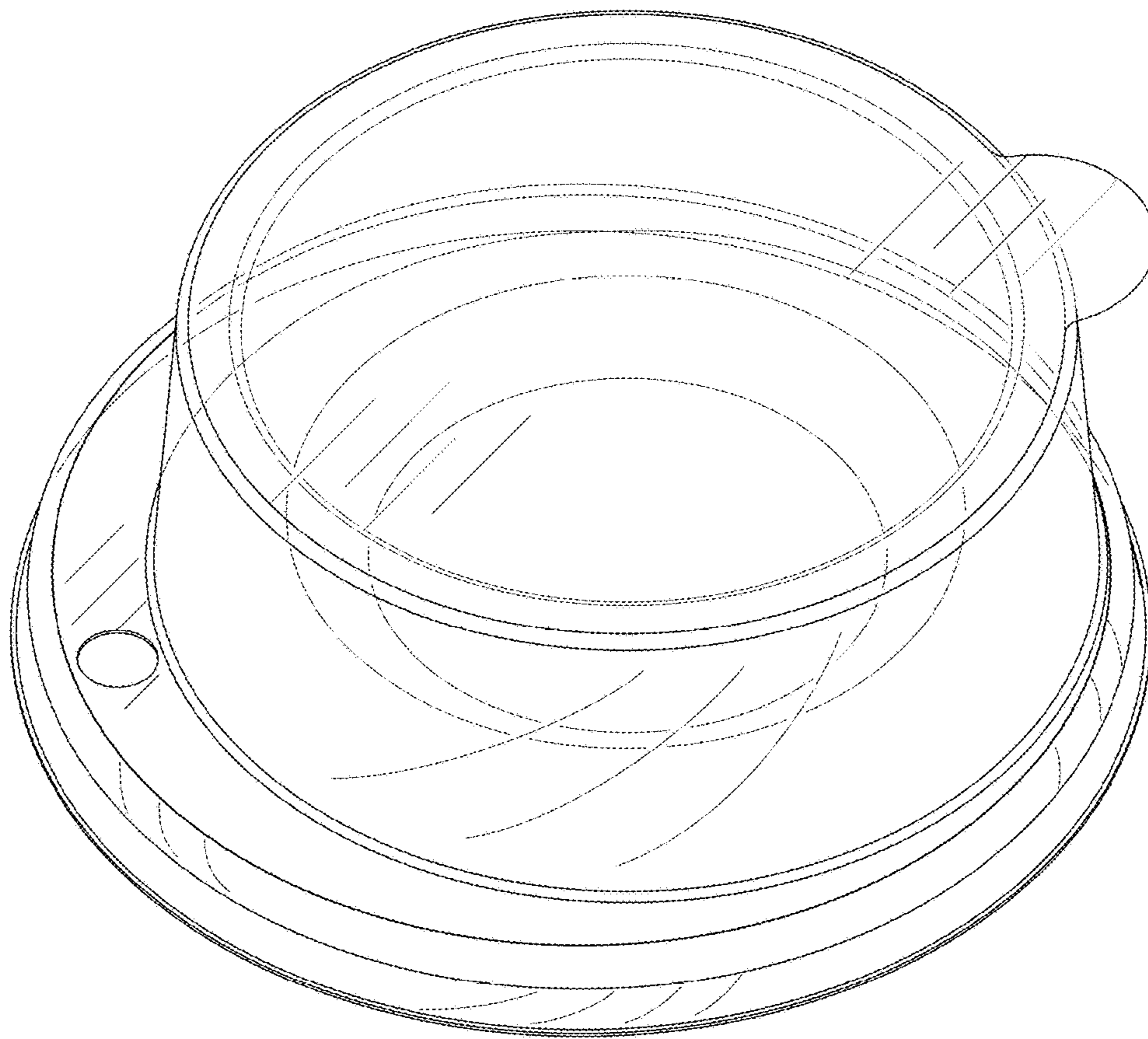


FIG. 4

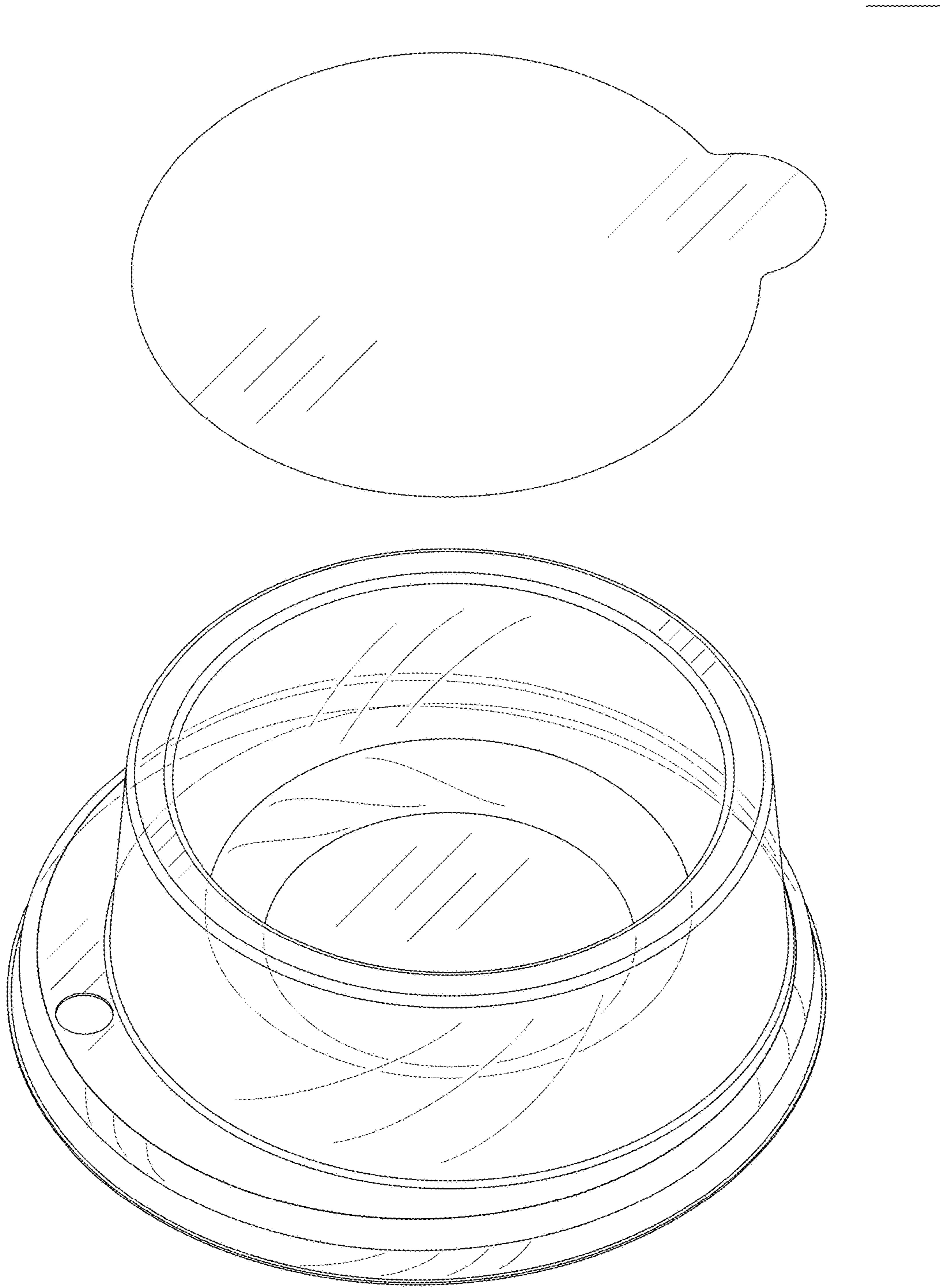
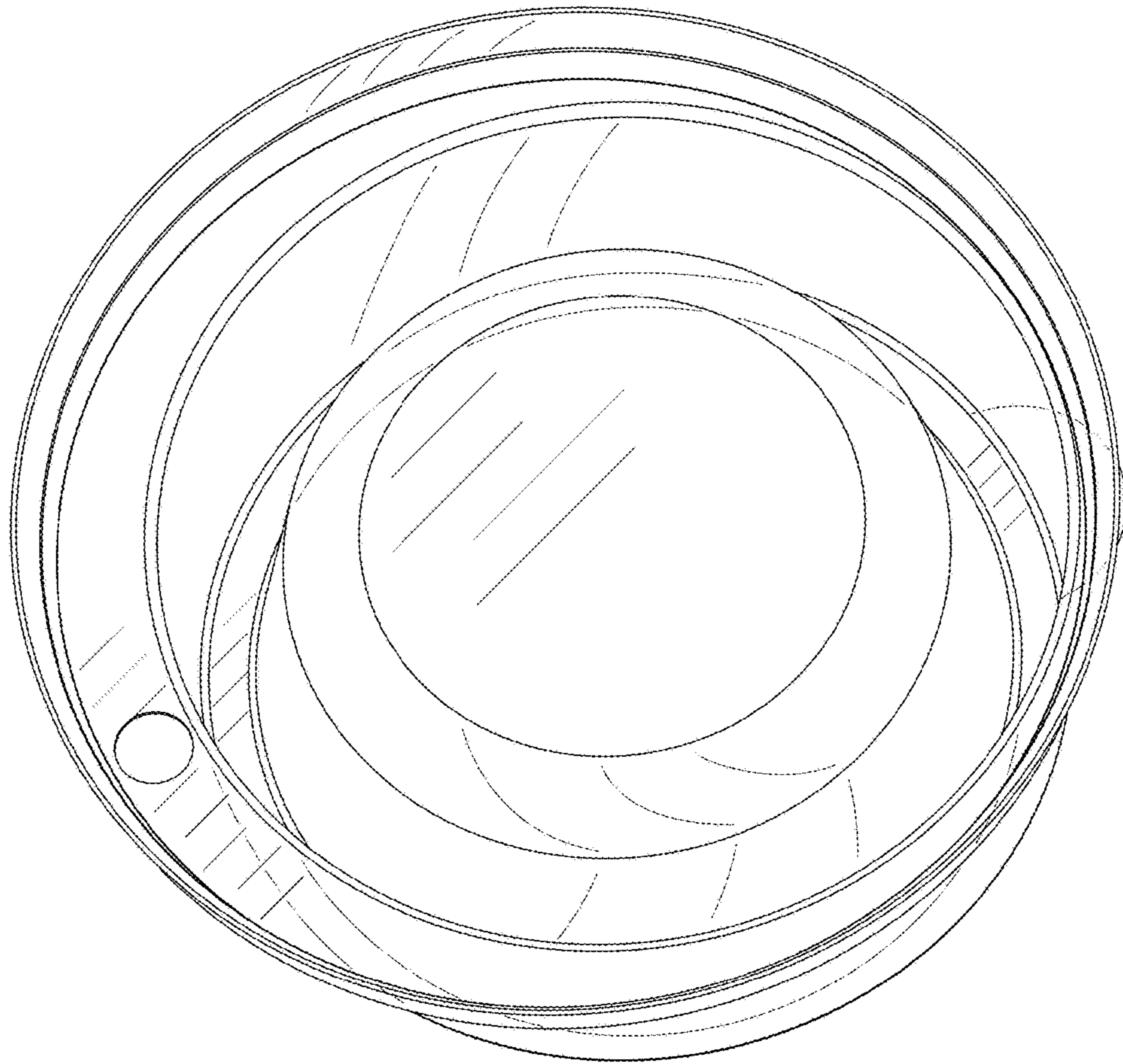
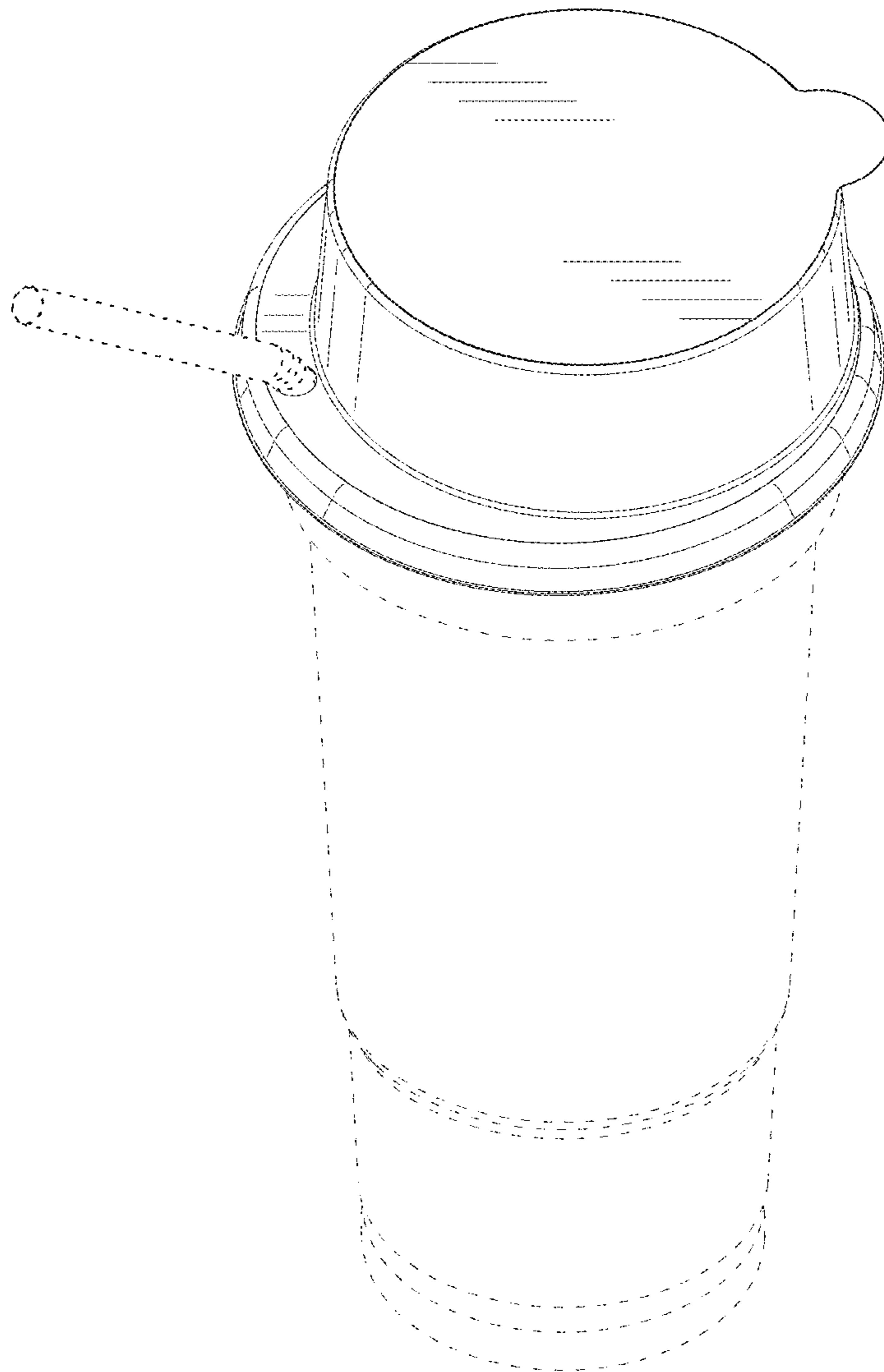


FIG. 5



*FIG. 6*





**FIG. 7**

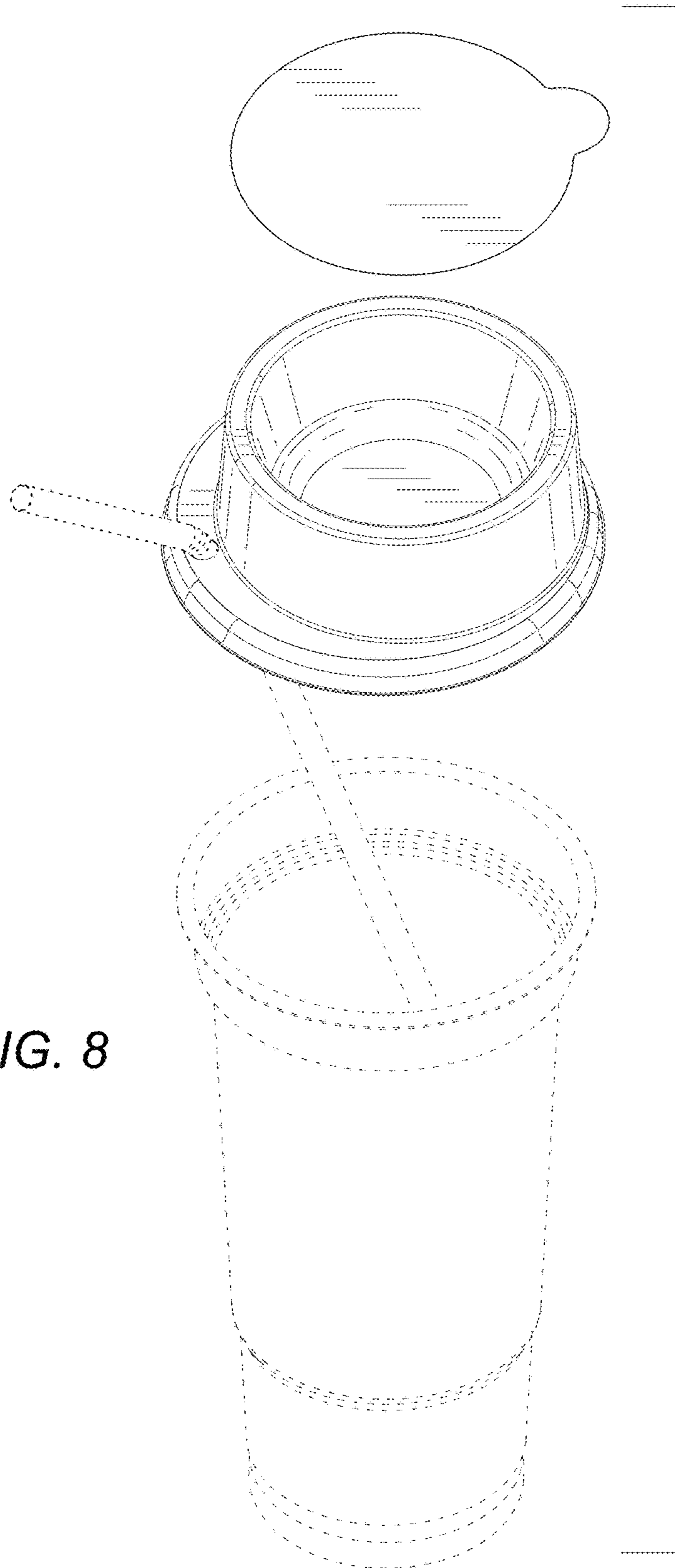


FIG. 8

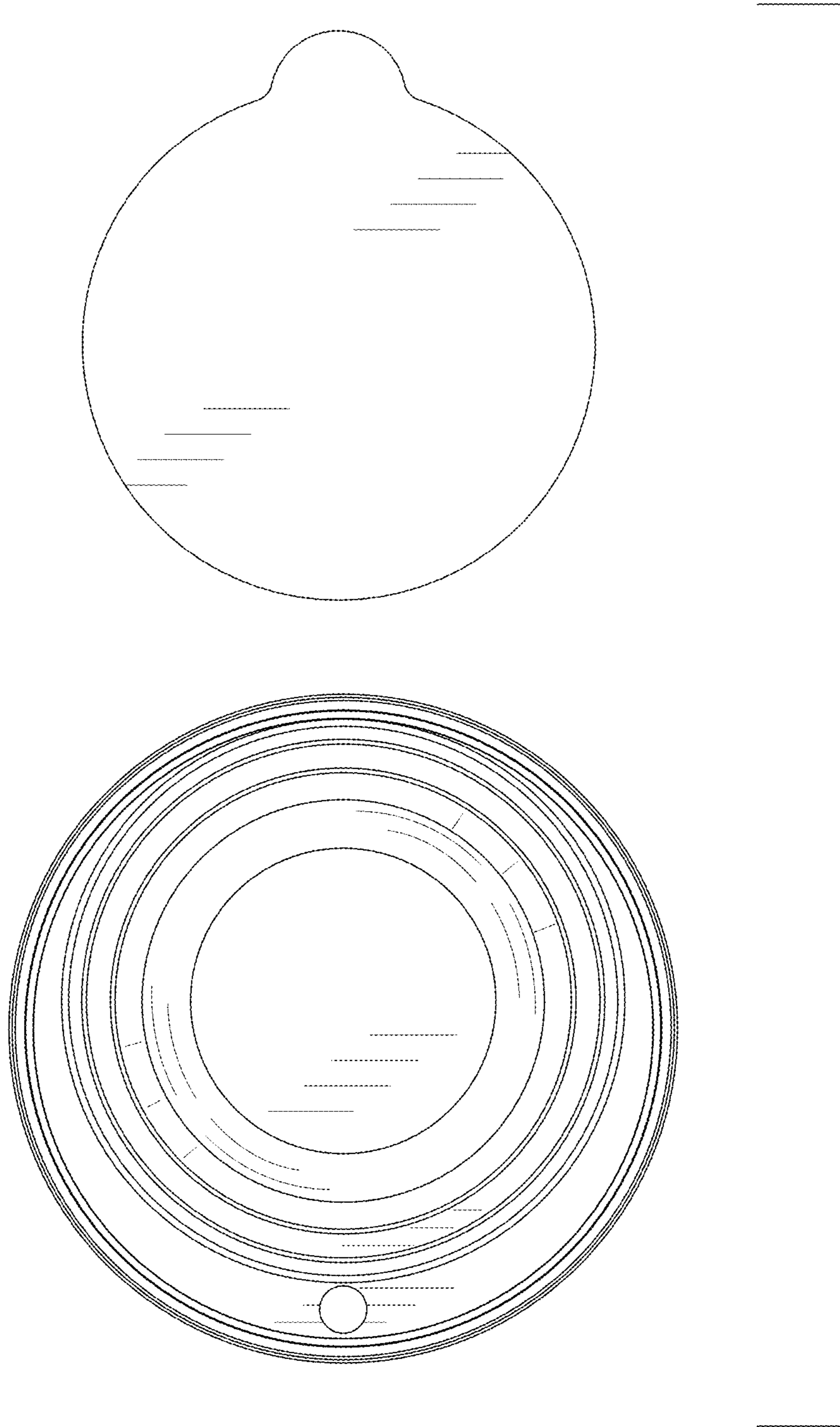
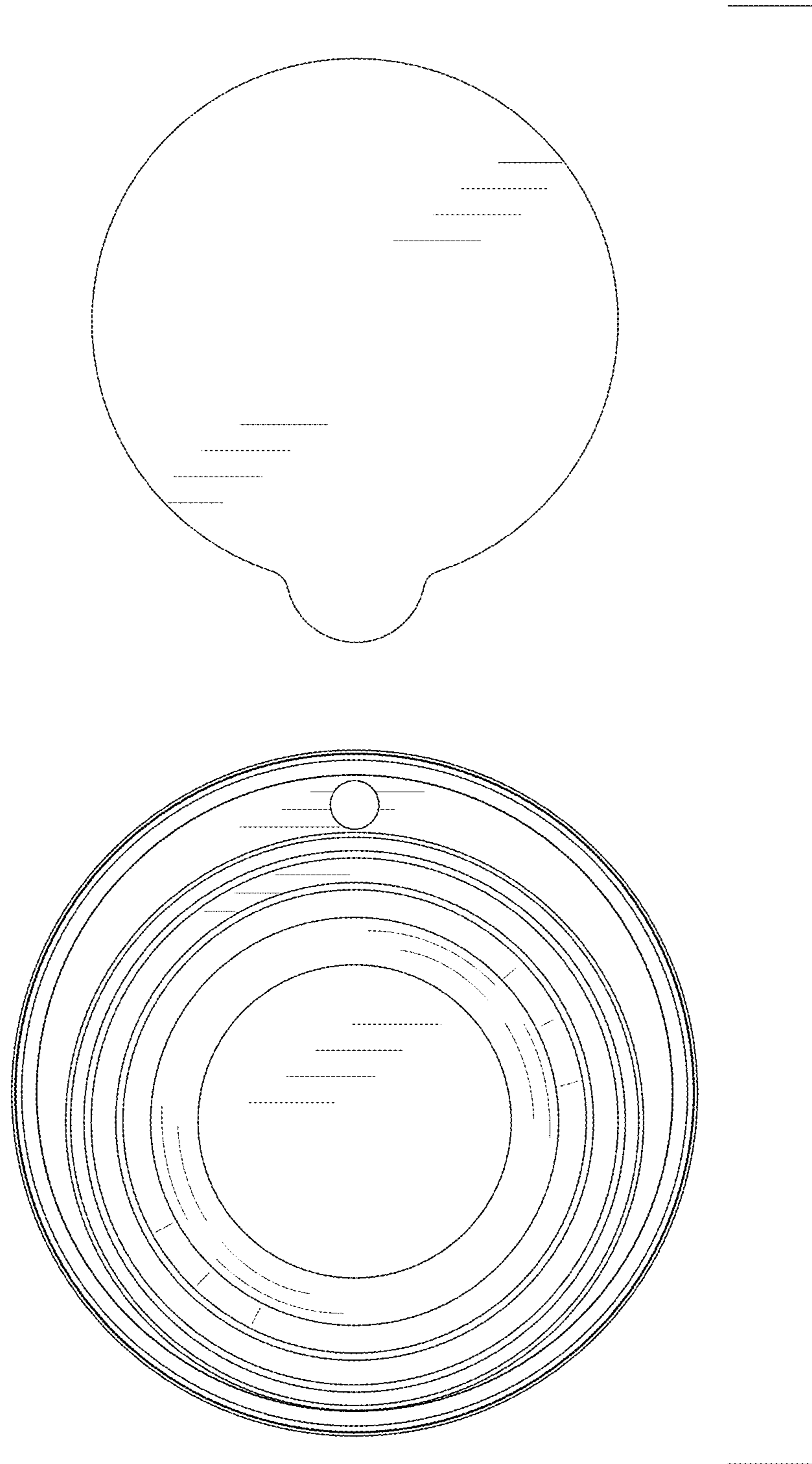
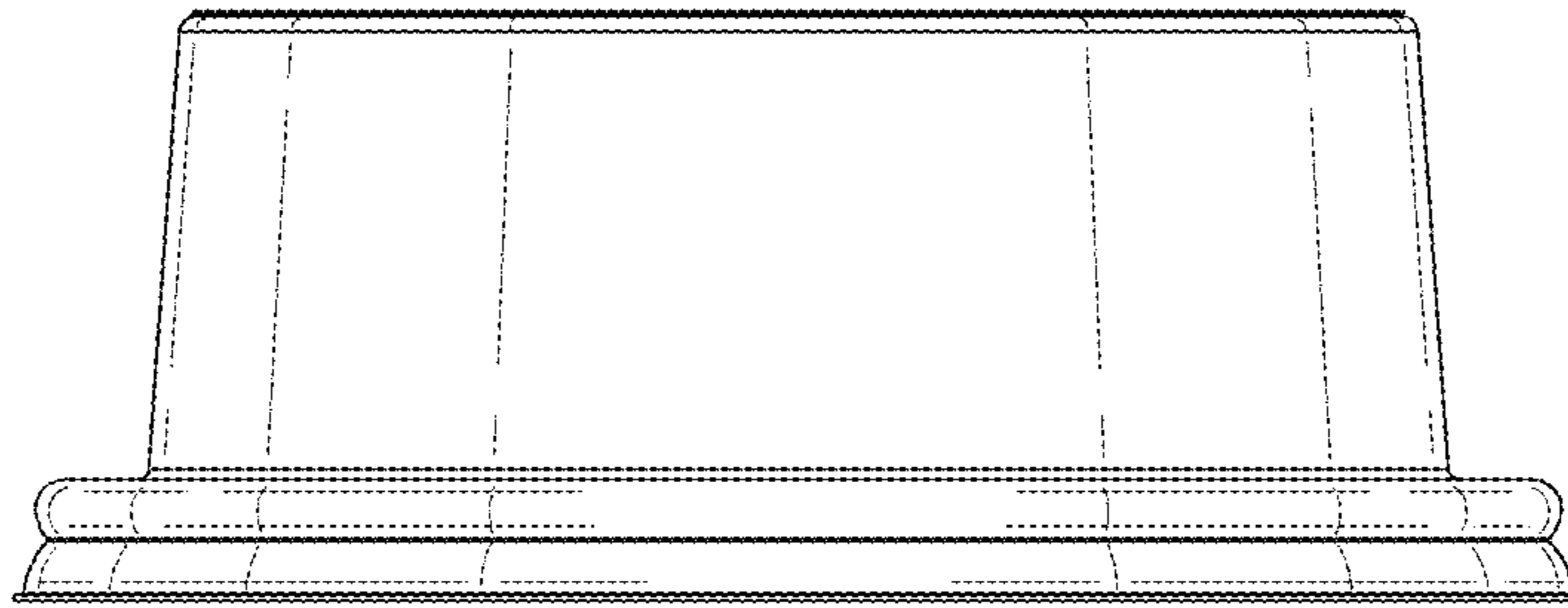


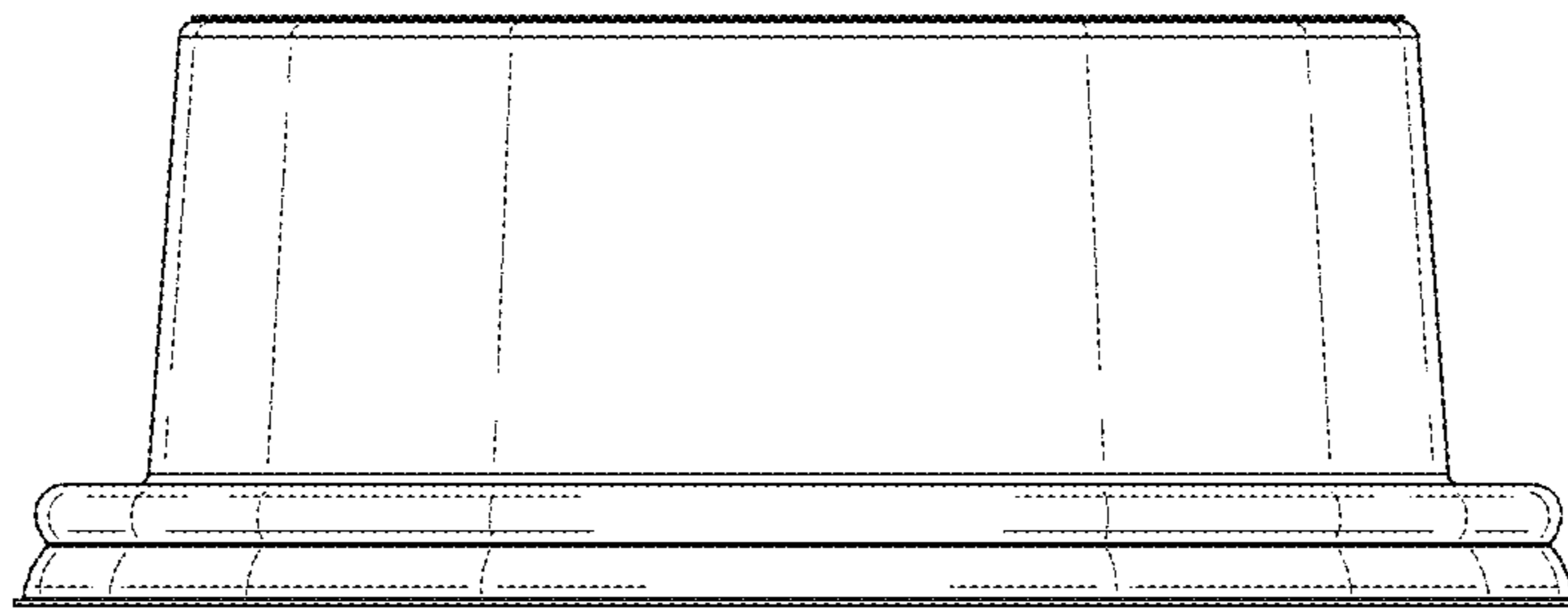
FIG. 9



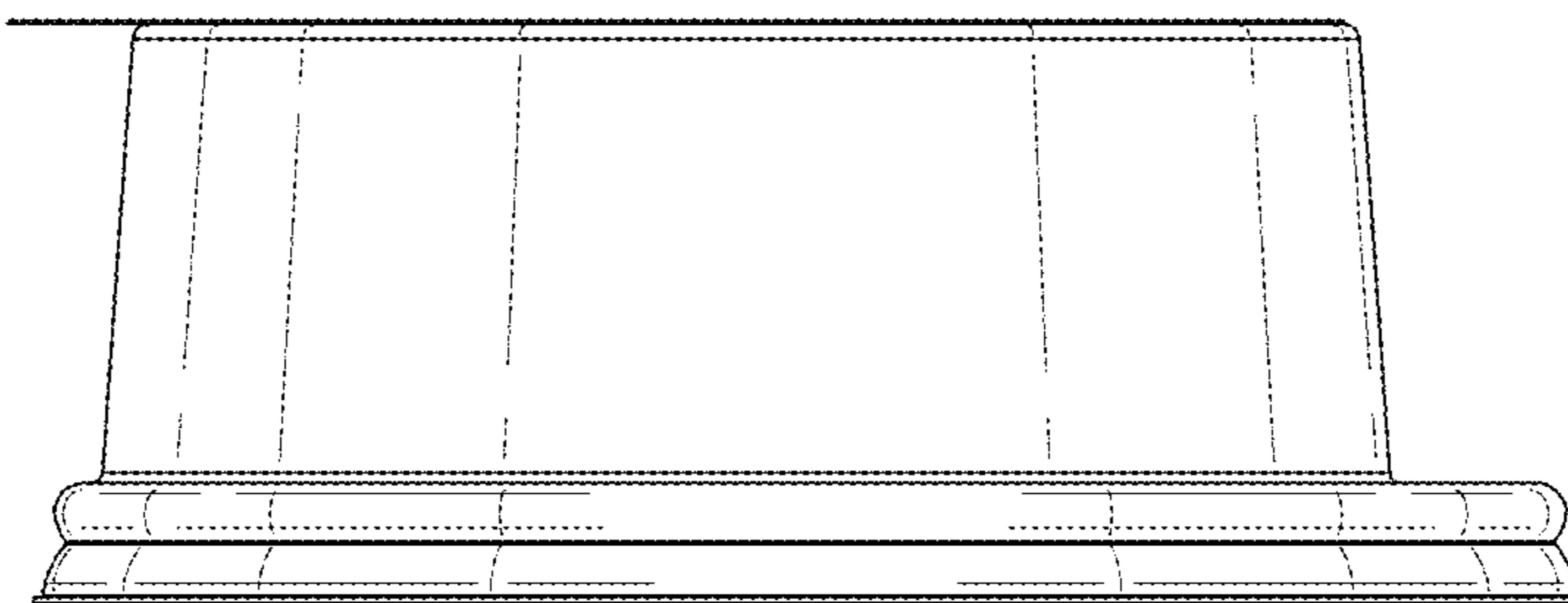
**FIG. 10**



*FIG. 11*



*FIG. 12*



*FIG. 13*