



US00D832641S

(12) **United States Design Patent** (10) **Patent No.:** **US D832,641 S**
Sapire (45) **Date of Patent:** **** Nov. 6, 2018**

(54) **BLENDER**

(71) Applicant: **Capbran Holdings, LLC**, Los Angeles, CA (US)

(72) Inventor: **Colin Sapire**, Los Angeles, CA (US)

(73) Assignee: **Capbran Holdings, LLC**, Los Angeles, CA (US)

(**) Term: **15 Years**

(21) Appl. No.: **29/614,321**

(22) Filed: **Aug. 17, 2017**

(51) **LOC (11) Cl.** **31-00**

(52) **U.S. Cl.**
USPC **D7/378; D7/376; D7/386; D7/412; D7/413**

(58) **Field of Classification Search**
USPC **D7/358, 372, 376-386, 412-413, 602, D7/629, 665-666, 669, 679, 693-694**
(Continued)

(56) **References Cited**

U.S. PATENT DOCUMENTS

D487,668 S 3/2004 Sands
6,817,750 B1 * 11/2004 Sands A47J 19/027
366/205

(Continued)

Primary Examiner — Ricky Pham

(74) *Attorney, Agent, or Firm* — Trojan Law Offices

(57) **CLAIM**

The ornamental design for a blender, as shown and described.

DESCRIPTION

FIG. 1 is a top front perspective view of a combined blender base, blade holder, and container, in accordance with an embodiment of the present invention;

FIG. 2 is a bottom rear perspective view of the combined blender base, blade holder, and container of FIG. 1;

FIG. 3 is a front view of the combined blender base, blade holder, and container of FIG. 1;

FIG. 4 is a rear view of the combined blender base, blade holder, and container of FIG. 1;

FIG. 5 is a left side view of the combined blender base, blade holder, and container of FIG. 1;

FIG. 6 is a right side view of the combined blender base, blade holder, and container of FIG. 1;

FIG. 7 is a top view of the combined blender base, blade holder, and container of FIG. 1;

FIG. 8 is a bottom view of the combined blender base, blade holder, and container of FIG. 1;

FIG. 9 is a top front perspective view of the blender base of FIG. 1;

FIG. 10 is a bottom rear perspective view of the blender base of FIG. 1;

FIG. 11 is a front view of the blender base of FIG. 1;

FIG. 12 is a rear view of the blender base of FIG. 1;

FIG. 13 is a left side view of the blender base of FIG. 1;

FIG. 14 is a right side view of the blender base of FIG. 1;

FIG. 15 is a top view of the blender base of FIG. 1;

FIG. 16 is a bottom view of the blender base of FIG. 1;

FIG. 17 is a top front perspective view of the blade holder of FIG. 1;

FIG. 18 is a bottom rear perspective view of the blade holder of FIG. 1;

FIG. 19 is a front view of the blade holder of FIG. 1;

FIG. 20 is a rear view of the blade holder of FIG. 1;

FIG. 21 is a left side view of the blade holder of FIG. 1;

FIG. 22 is a right side view of the blade holder of FIG. 1;

FIG. 23 is a top view of the blade holder of FIG. 1;

FIG. 24 is a bottom view of the blade holder of FIG. 1;

FIG. 25 is a top front perspective view of the container of FIG. 1;

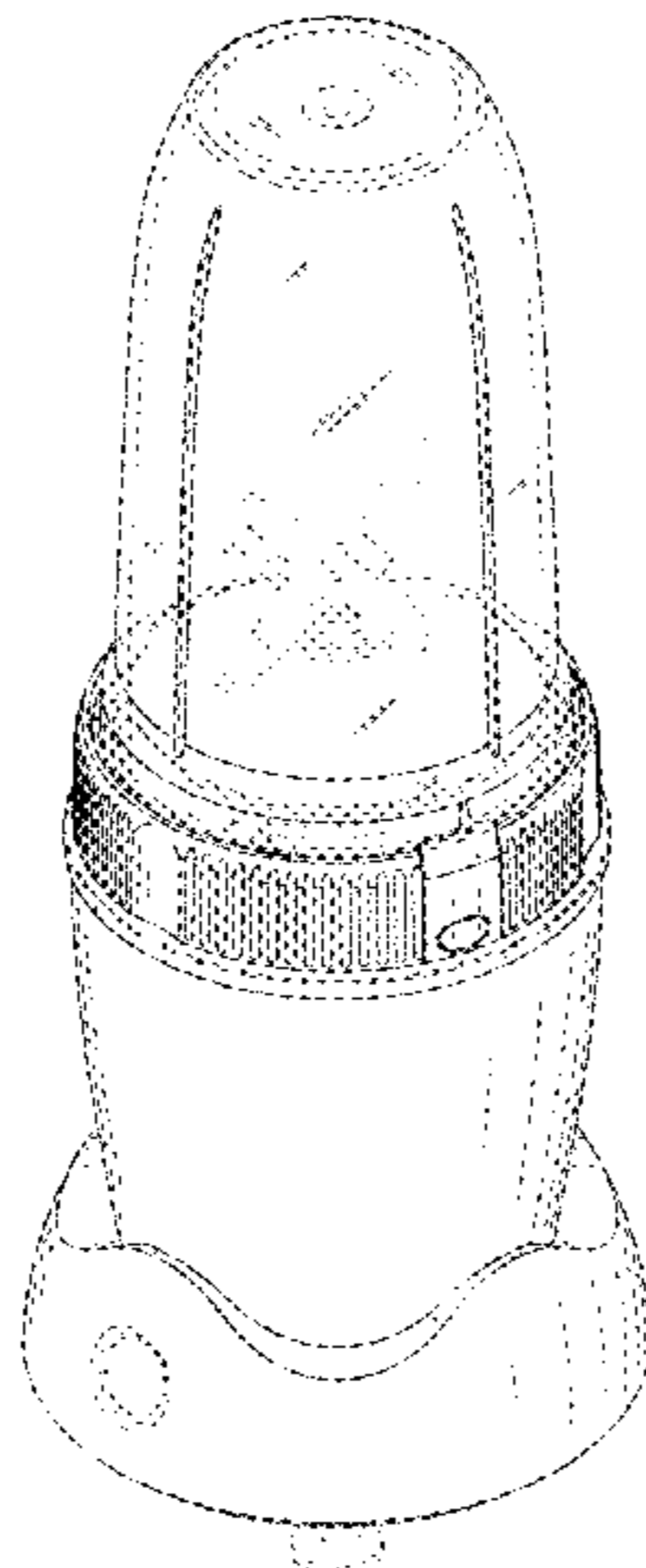
FIG. 26 is a bottom rear perspective view of the container of FIG. 1;

FIG. 27 is a left side view of the container of FIG. 1, the right side view, front view, and rear view being identical;

FIG. 28 is a top view of the container of FIG. 1; and,

FIG. 29 is bottom view of the container of FIG. 1.

(Continued)



Any broken lines, shown throughout in the drawing figures, are included for the purpose of illustrating environmental structures and form no part of the claimed design.

1 Claim, 15 Drawing Sheets

(58) **Field of Classification Search**

CPC A21C 1/02; A21C 1/04; A23N 1/00; A23N 1/02; A47J 43/04; A47J 43/25; A47J 43/27; A47J 43/042; A47J 43/044; A47J 43/046; A47J 43/075; A47J 43/0722; A47J 43/0727; A47J 19/027; B01F 3/00; B01F 3/0807; B01F 3/0853; B01F 13/0059; B01F 13/0064; B02C 1/08; B02C 2/04; B02C 4/42; B02C 4/142; B02C 4/143; B02C 4/423; B02C 13/1835; B28C 5/10; B28C 5/12; B28C 5/14; B28C 5/16

See application file for complete search history.

(56)

References Cited

U.S. PATENT DOCUMENTS

D501,759	S	2/2005	Sands	
D519,321	S	4/2006	Sands	
D530,975	S *	10/2006	Fernandez	D7/378
D532,648	S	11/2006	Sands	
D554,427	S	11/2007	Sands	
D557,559	S	12/2007	Sands	
D712,196	S *	9/2014	Ho	D7/378
D715,095	S *	10/2014	Ho	D7/376
D743,202	S *	11/2015	Sands	D7/354
D756,161	S *	5/2016	Sands	A47J 19/027 D7/354
D760,026	S *	6/2016	Smith	A47J 19/027 D7/376
D782,866	S *	4/2017	Suess	D7/376
D788,527	S *	6/2017	Smith	D7/376
D789,139	S *	6/2017	Repac	D7/376
D800,499	S *	10/2017	Repac	D7/413
D816,394	S *	5/2018	Yeung	D7/378
2005/0047272	A1 *	3/2005	Sands	A47J 19/027 366/199

* cited by examiner

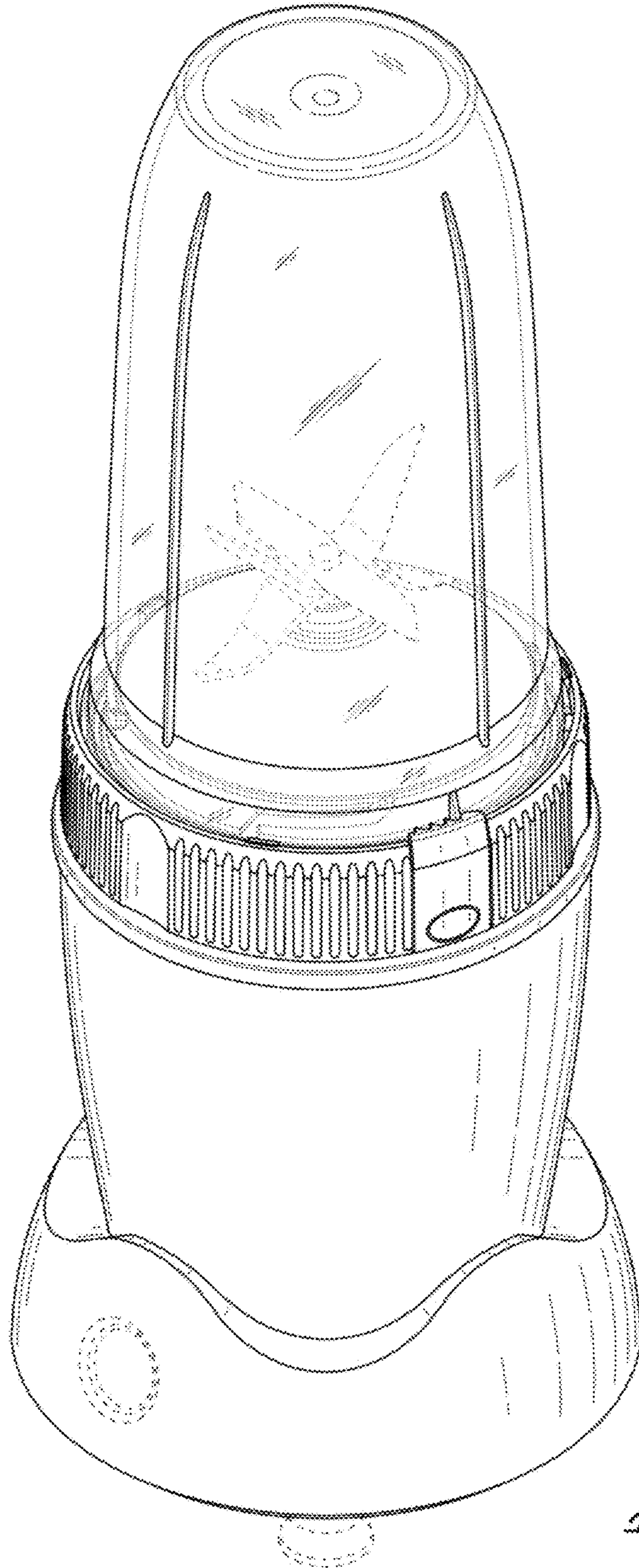


FIG. 1

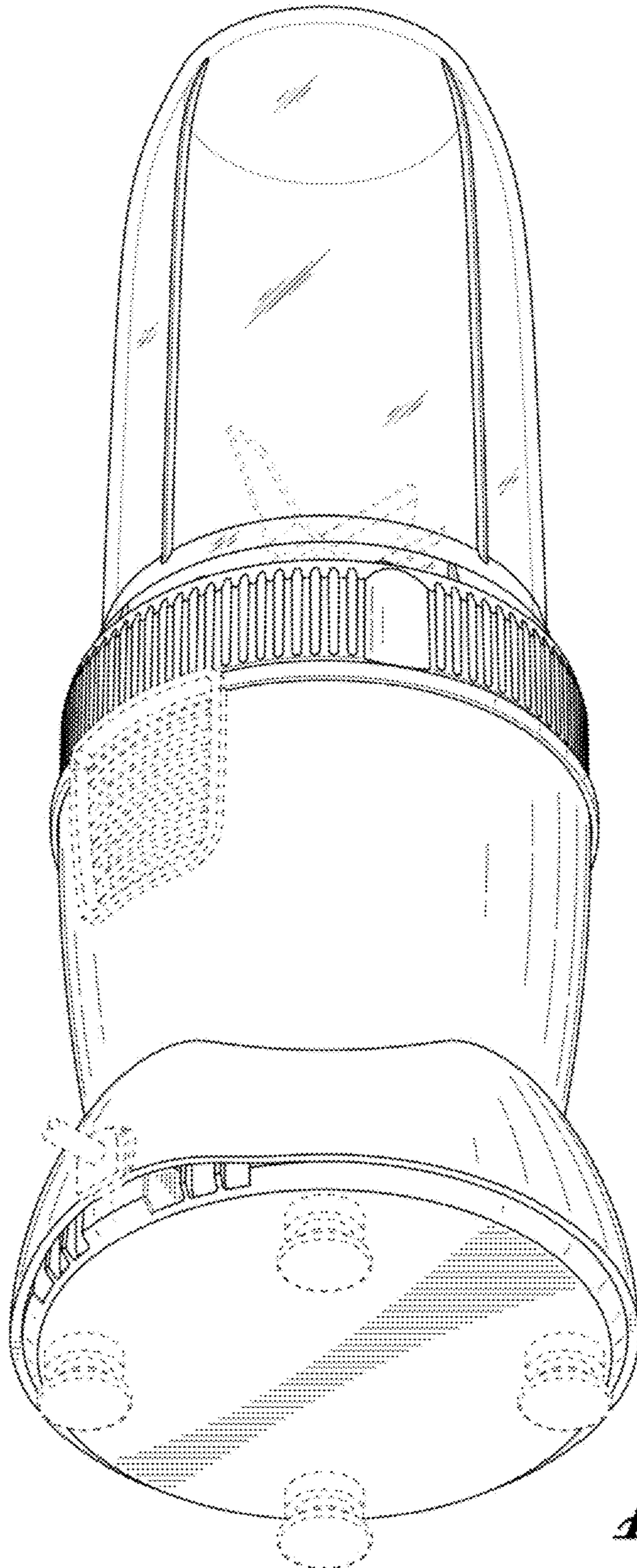


FIG. 2

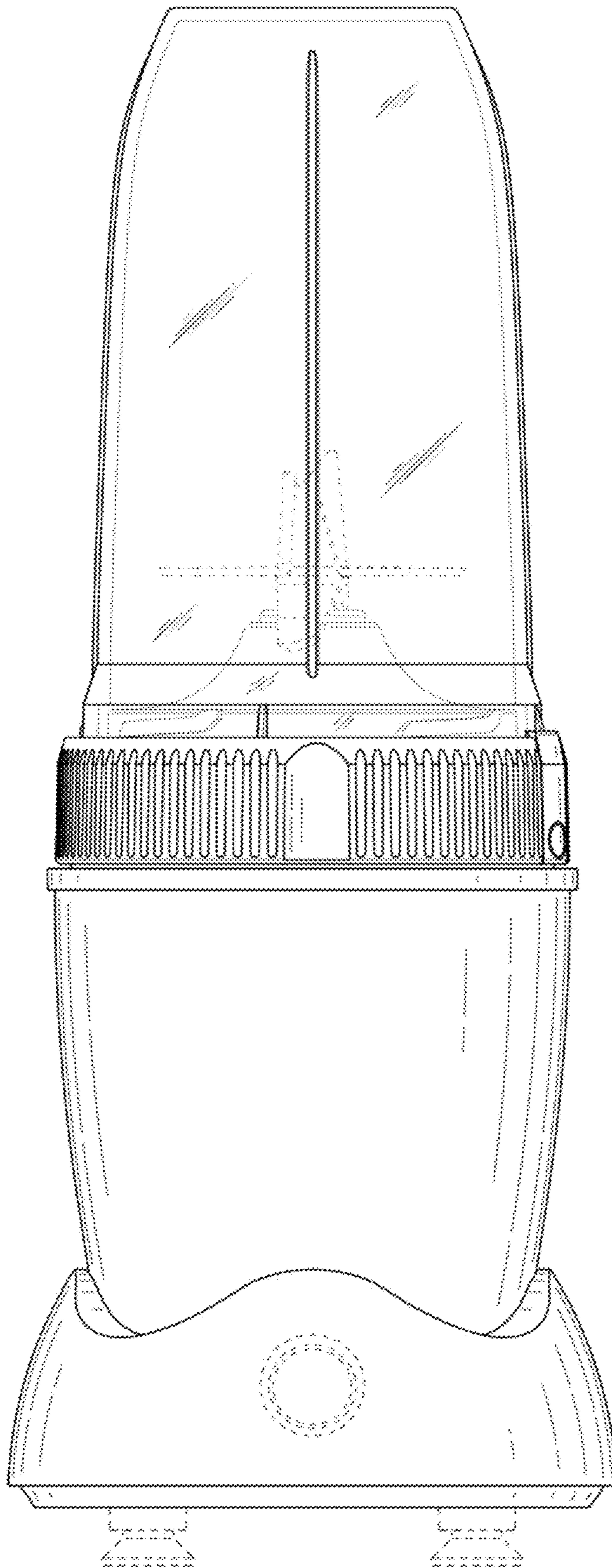


FIG. 3

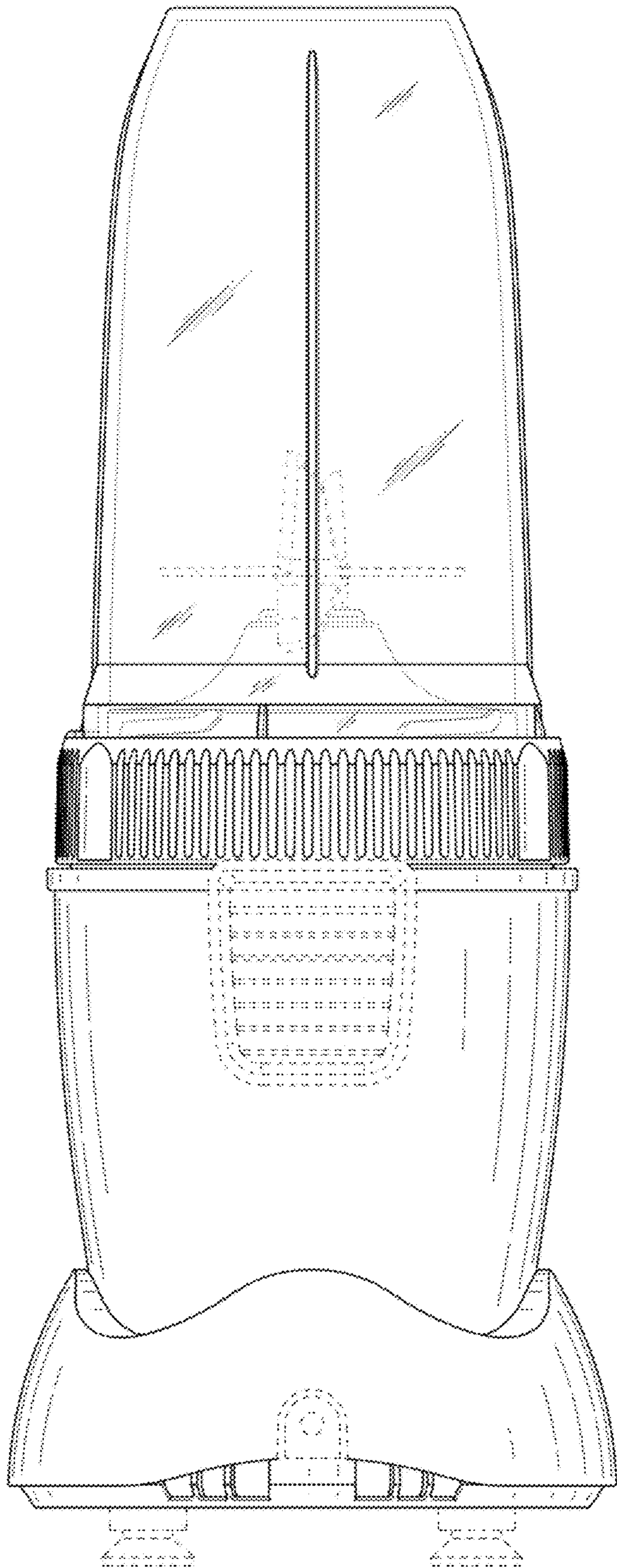


FIG. 4

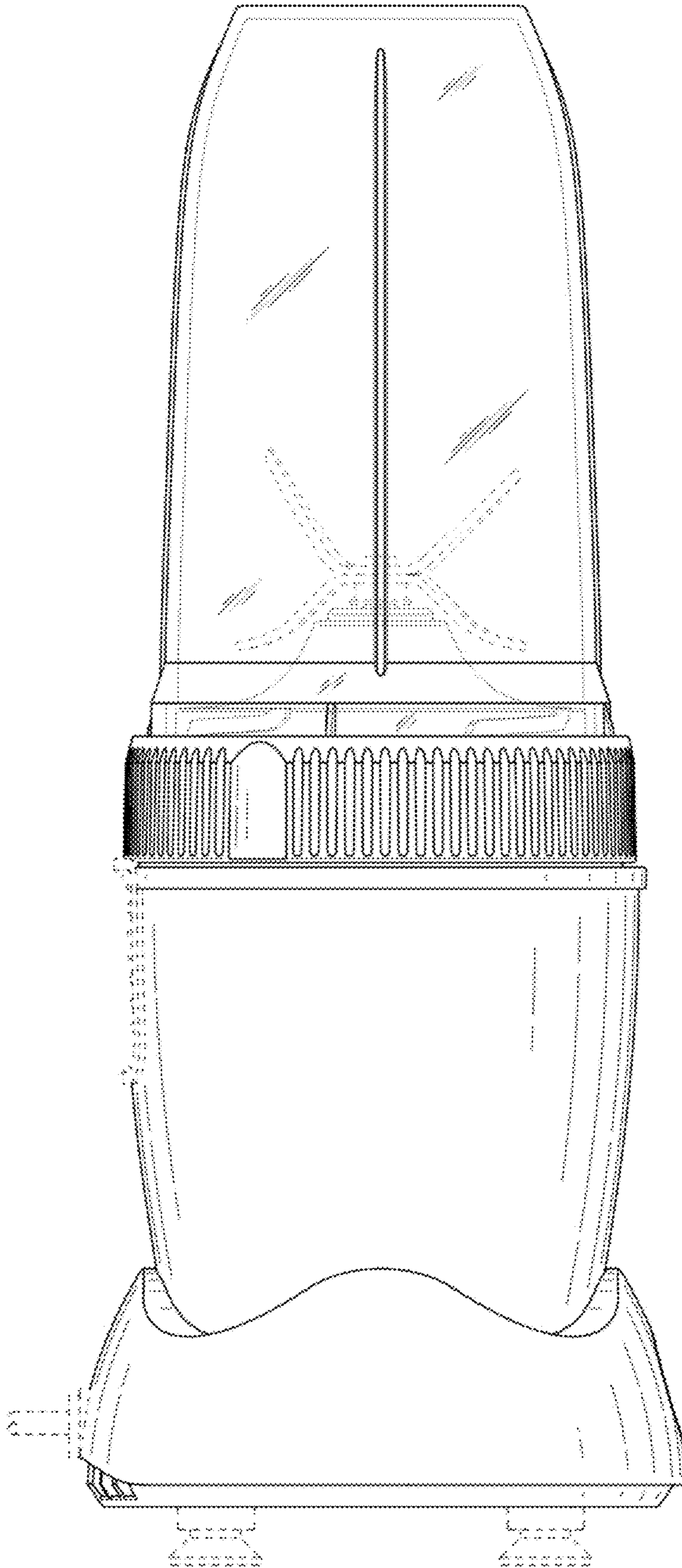


FIG. 5

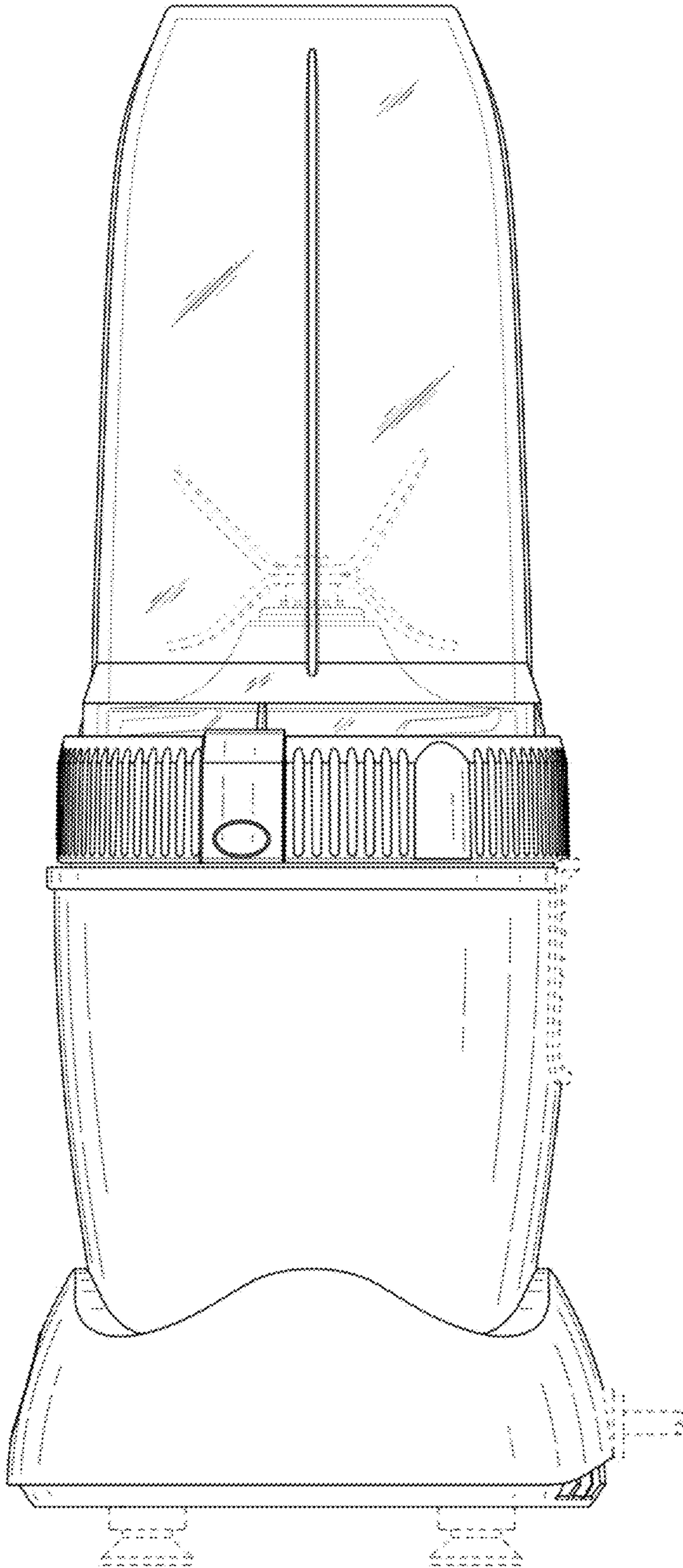


FIG. 6

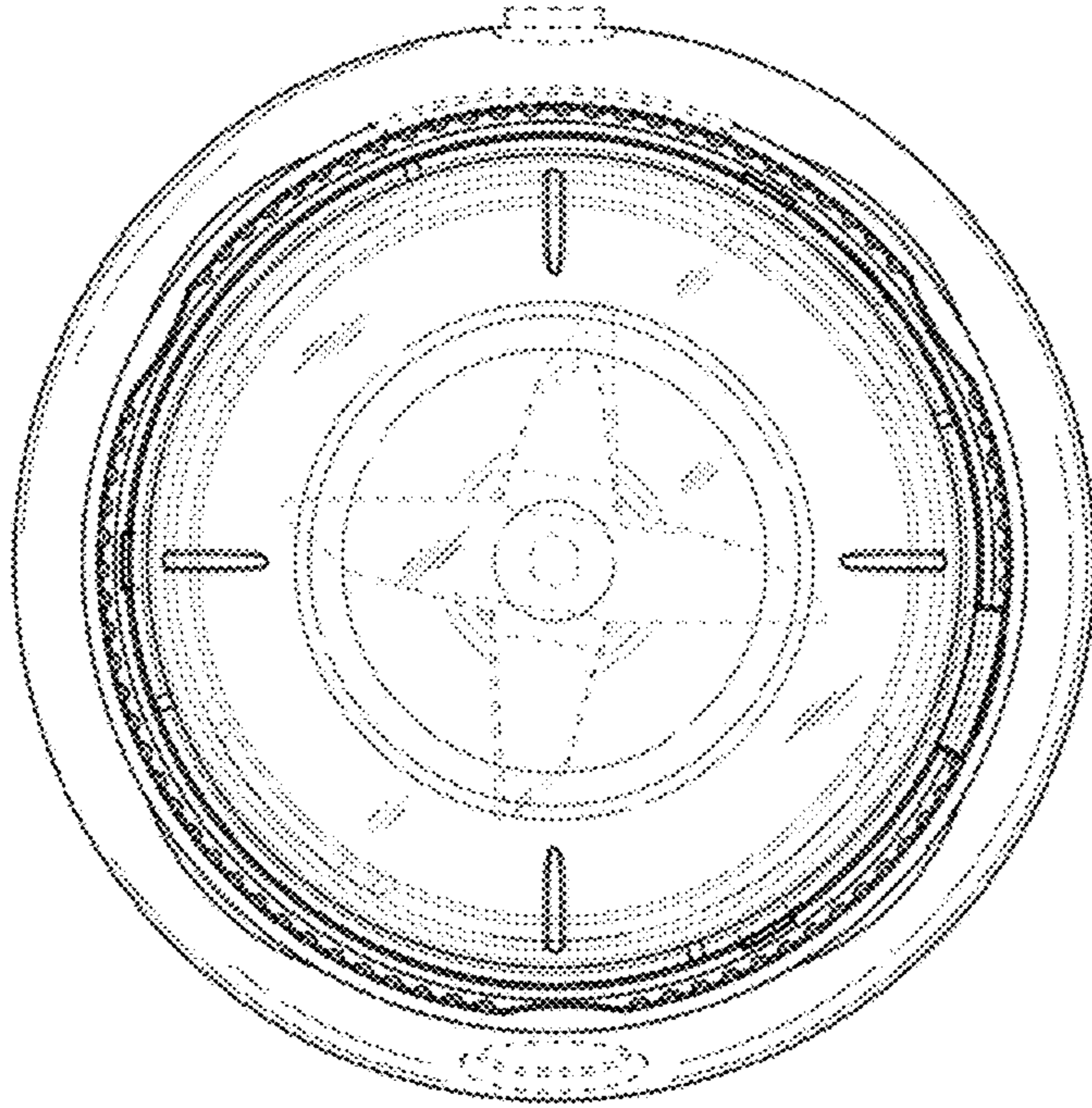


FIG. 7

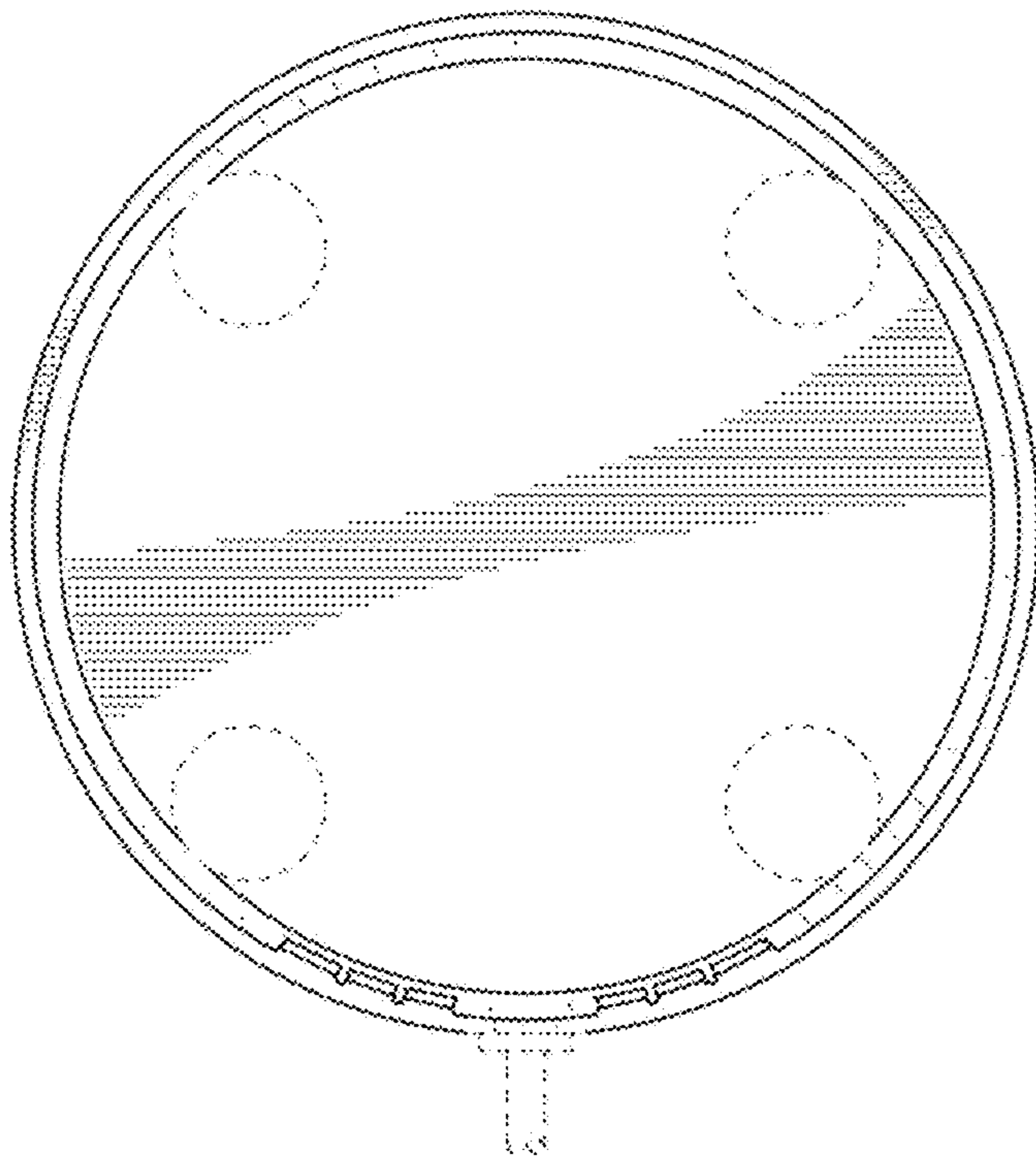


FIG. 8

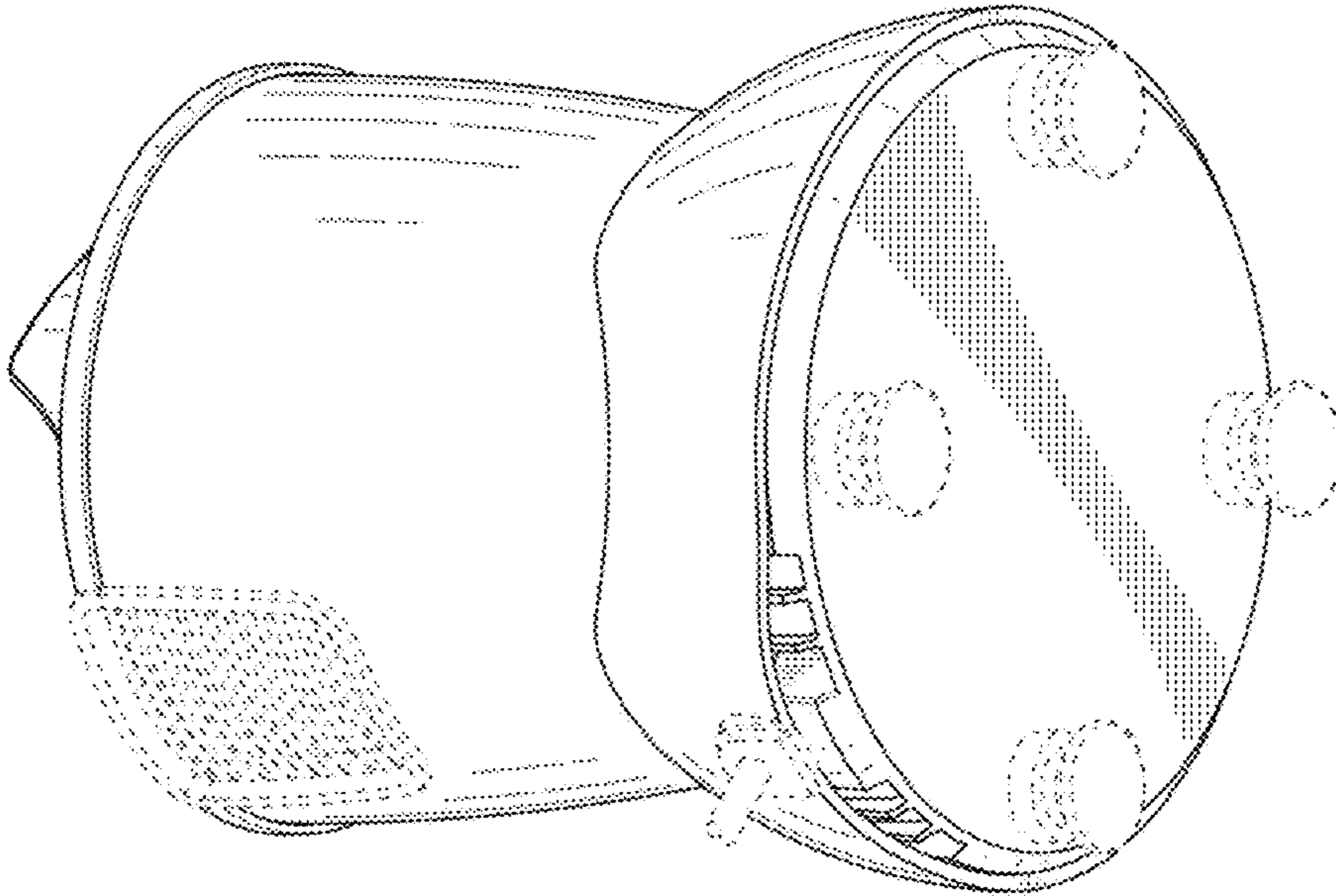


FIG. 10

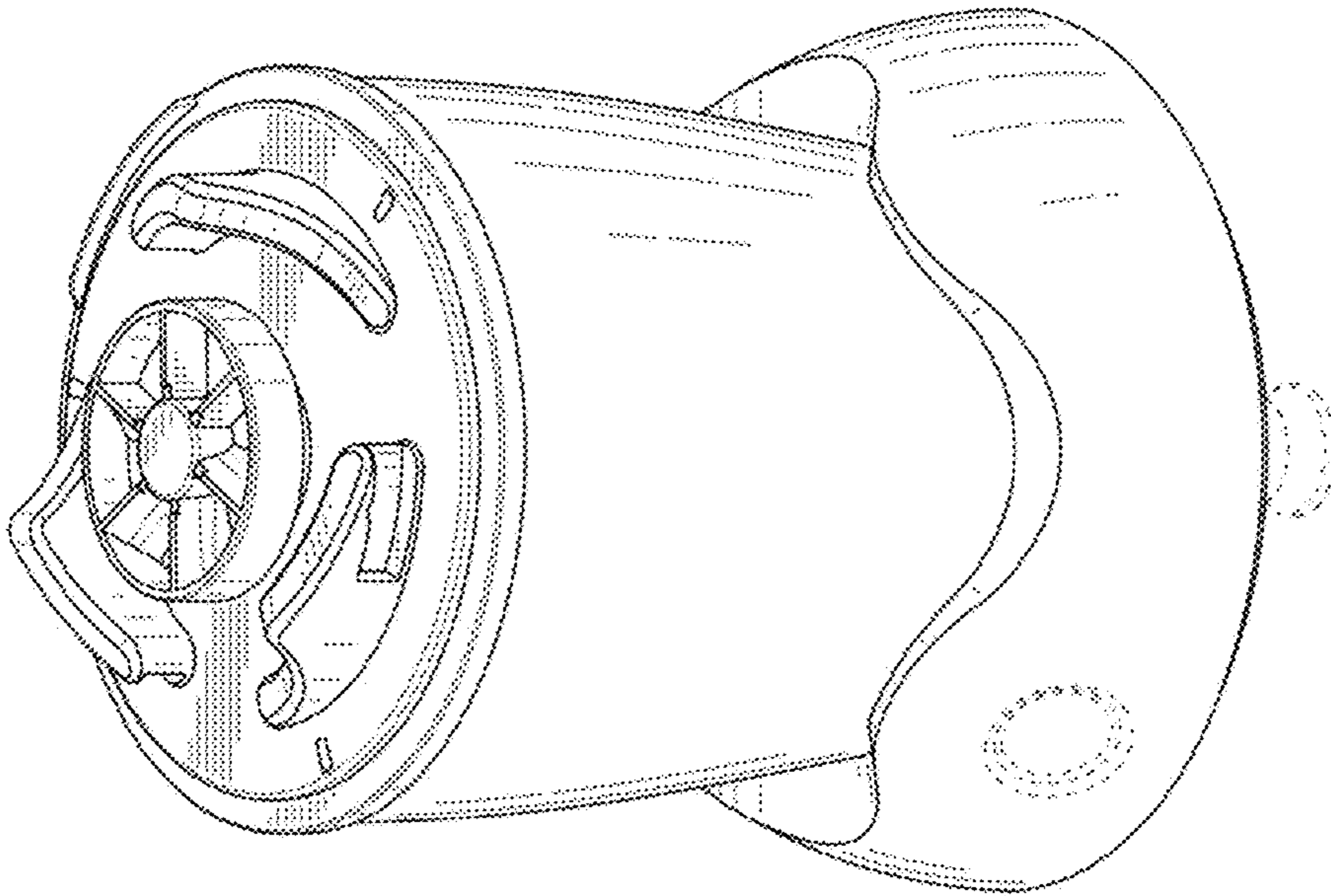


FIG. 9

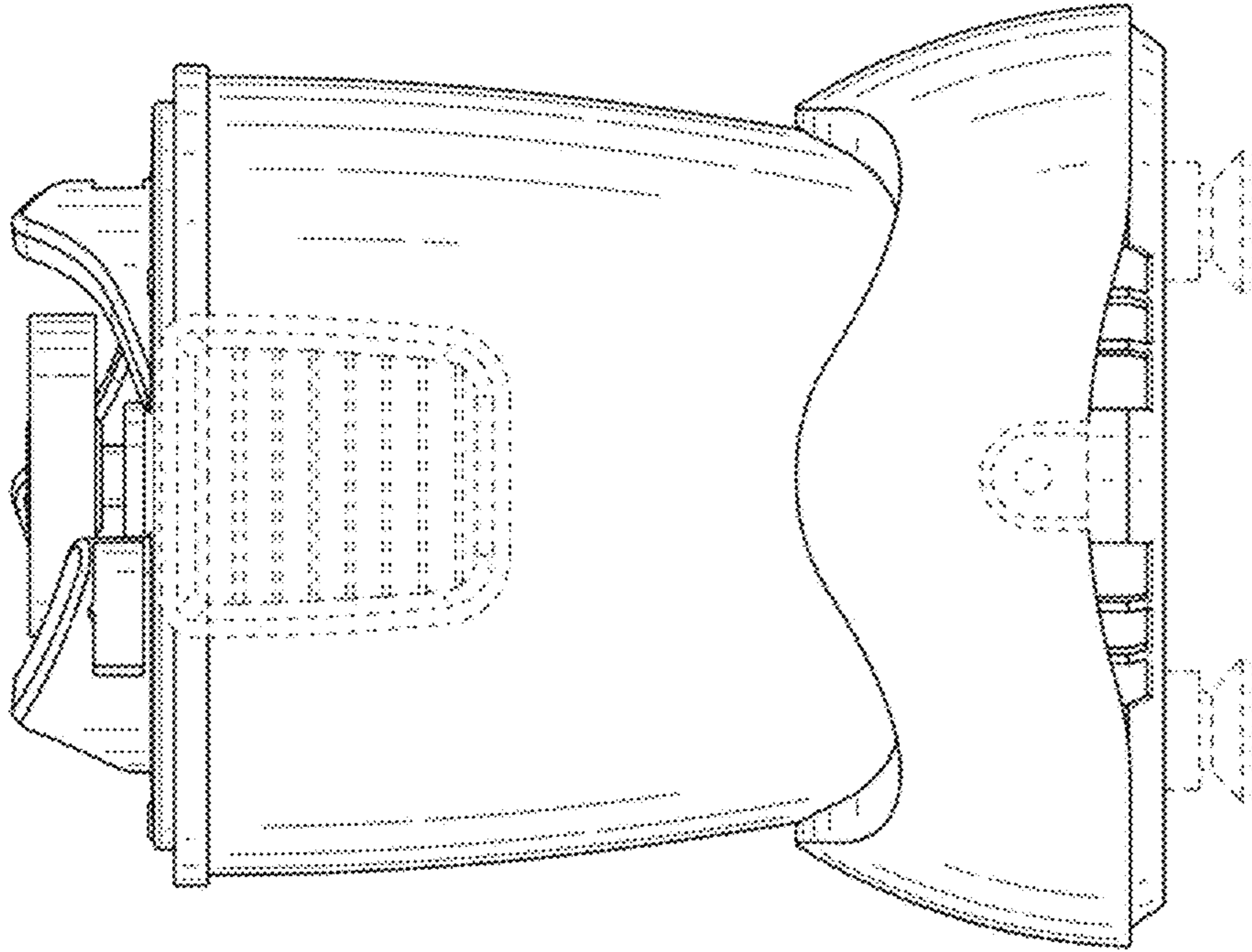


FIG. 12

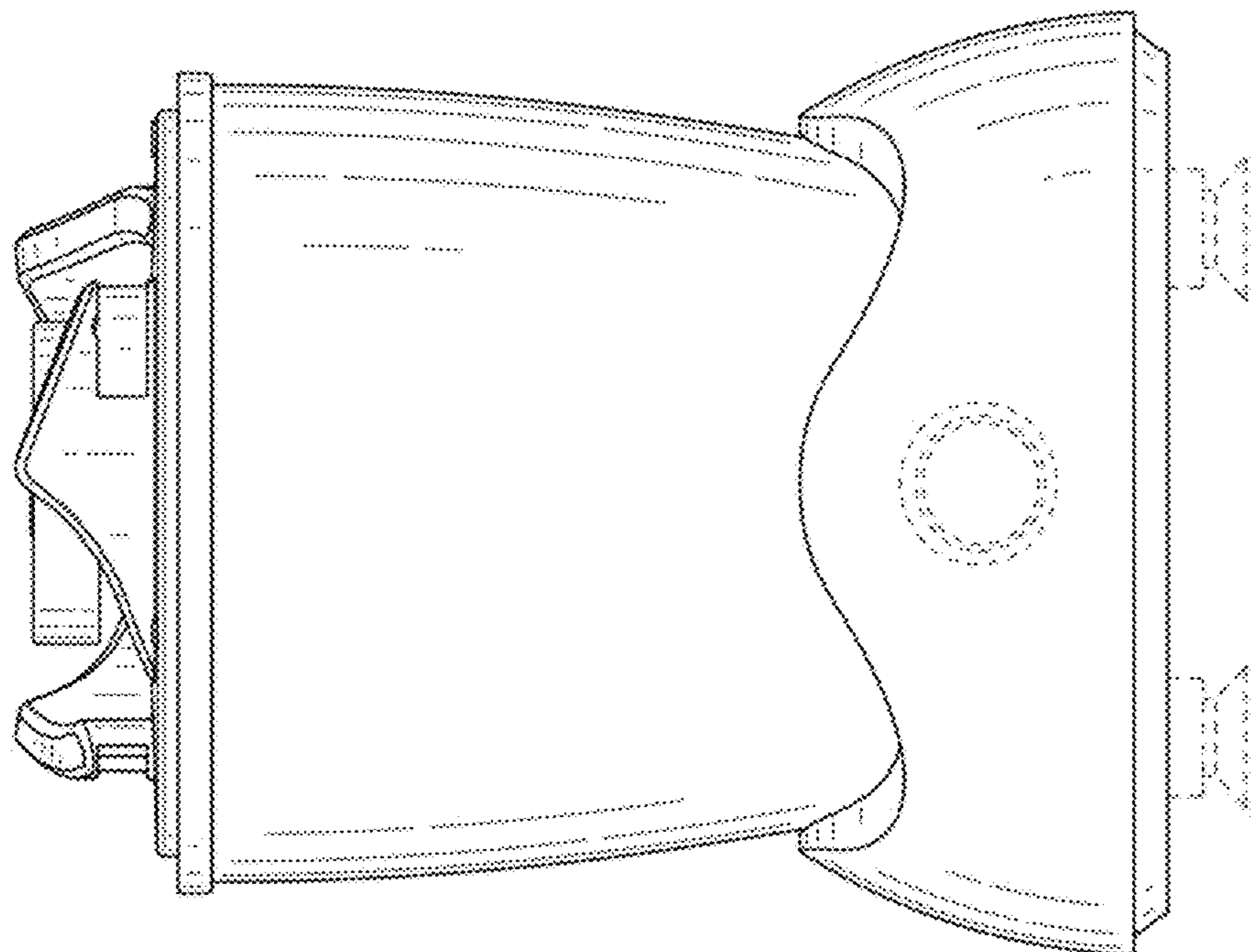


FIG. 11

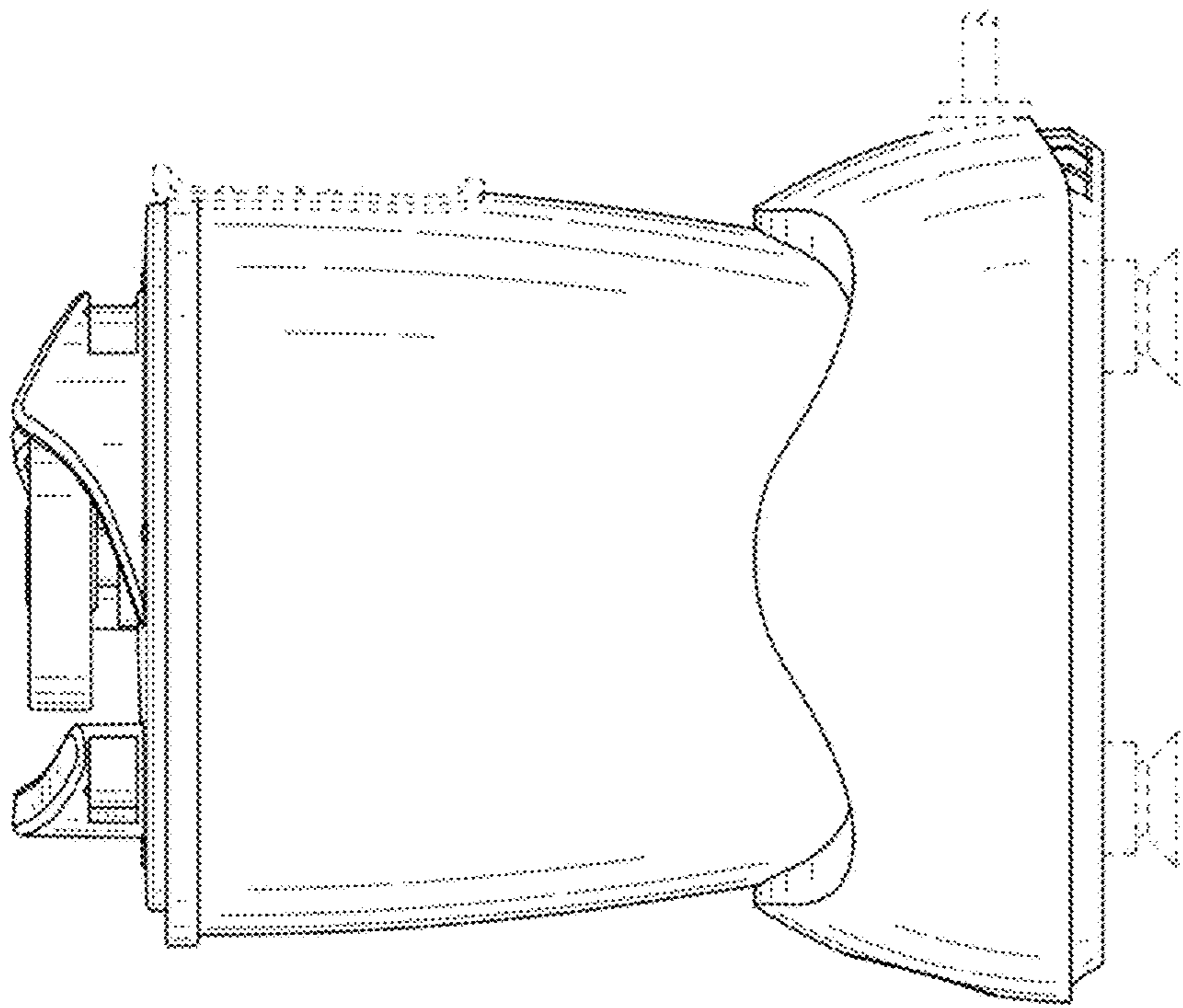


FIG. 14

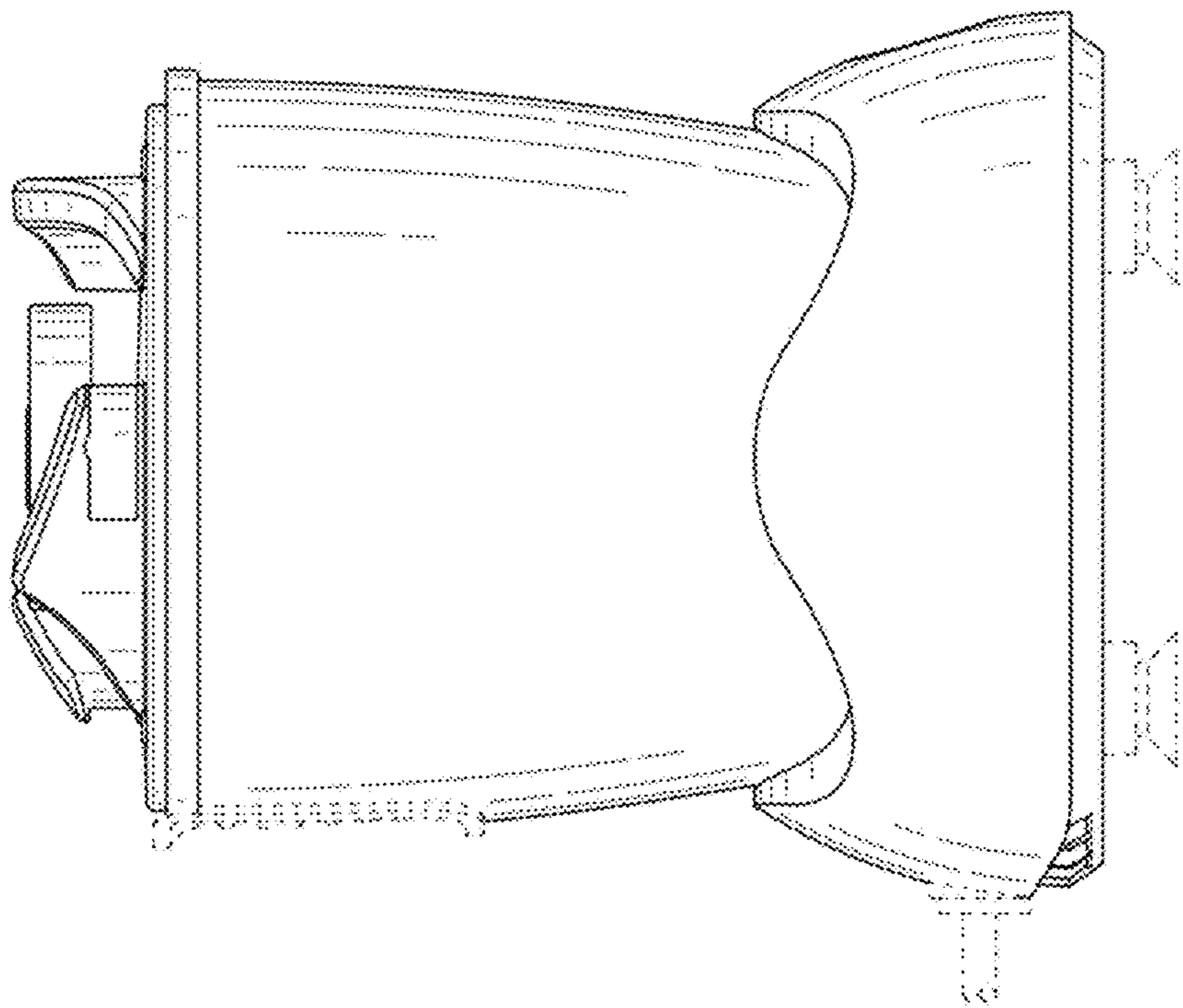


FIG. 13

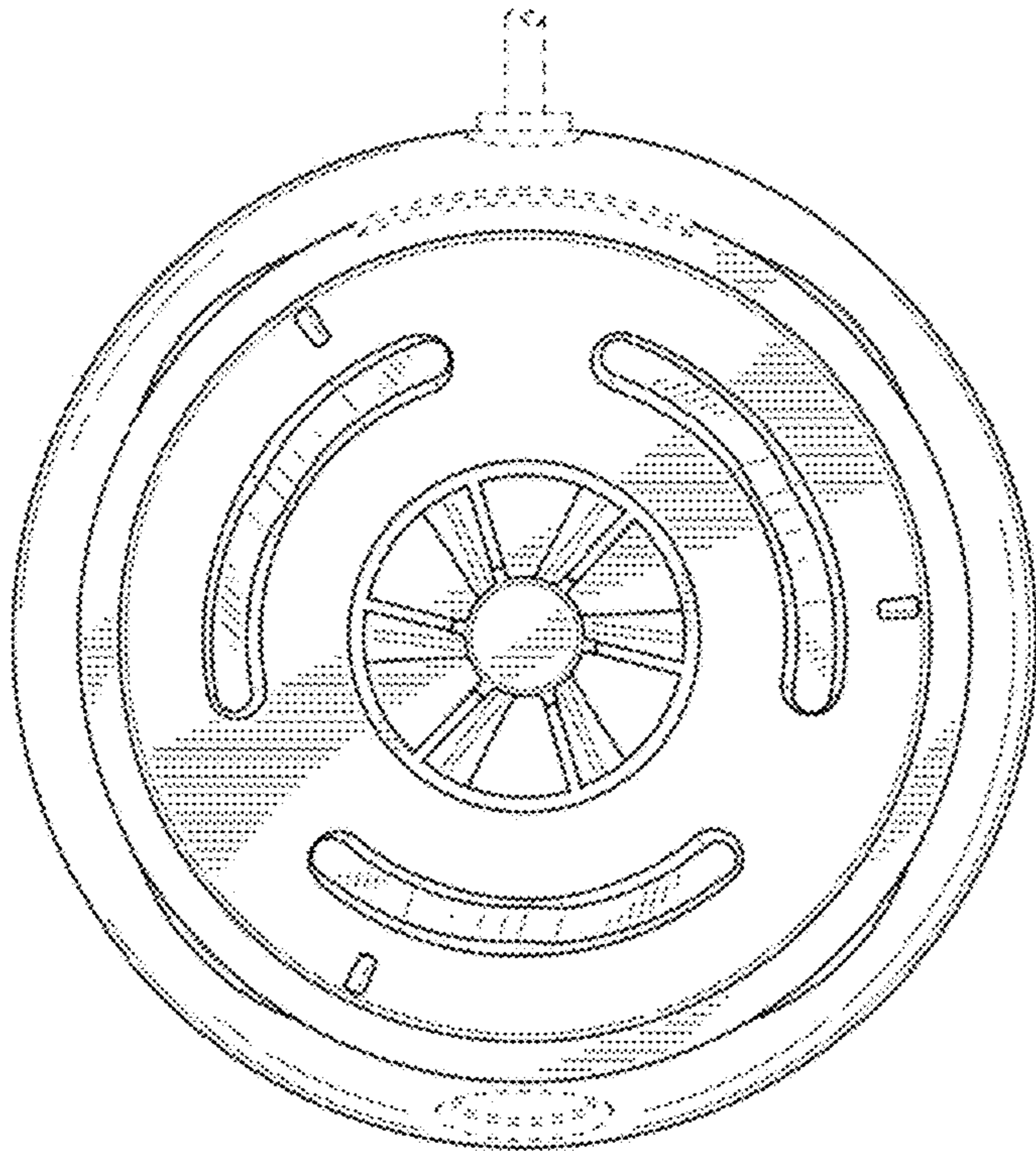


FIG. 15

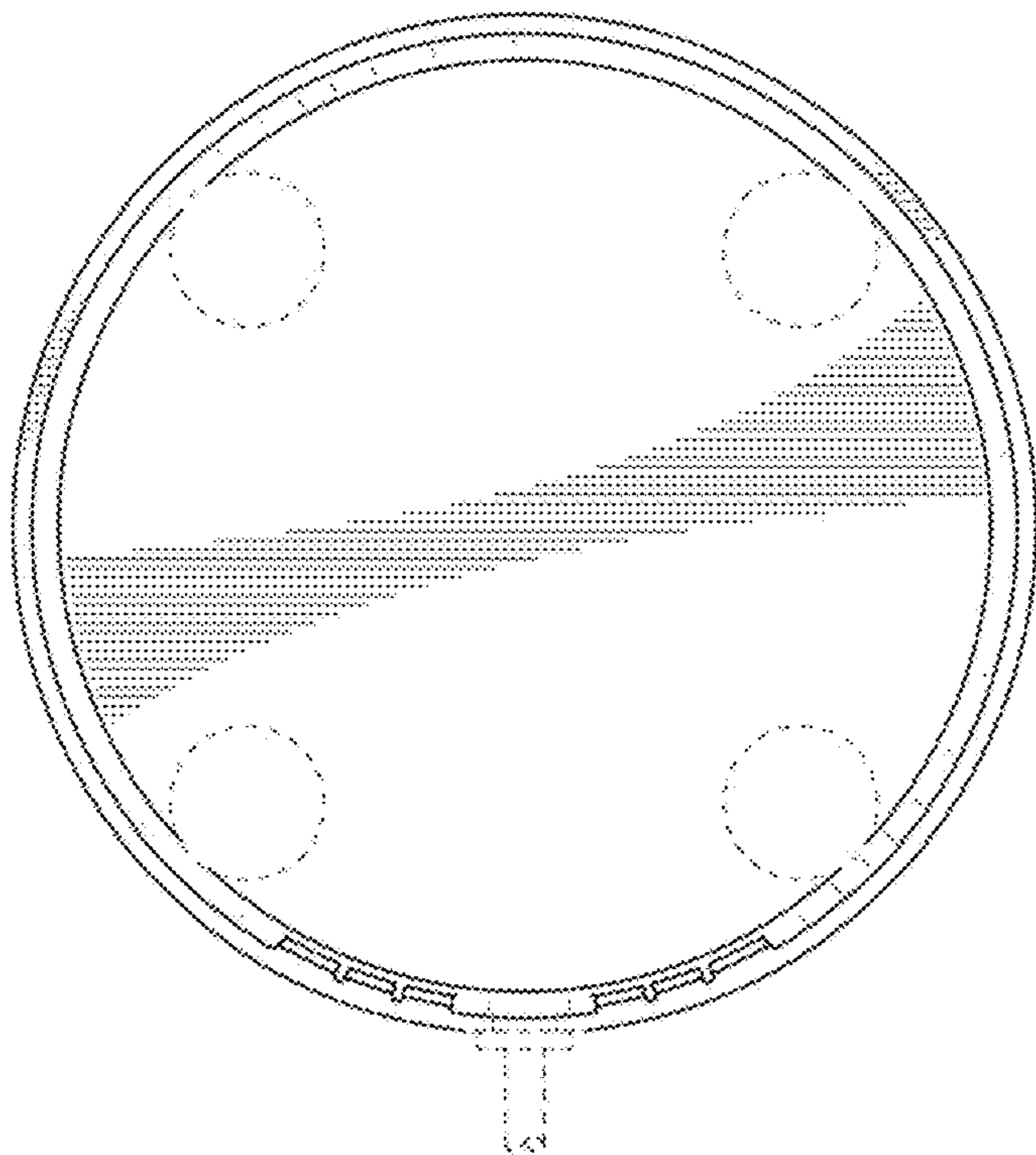


FIG. 16

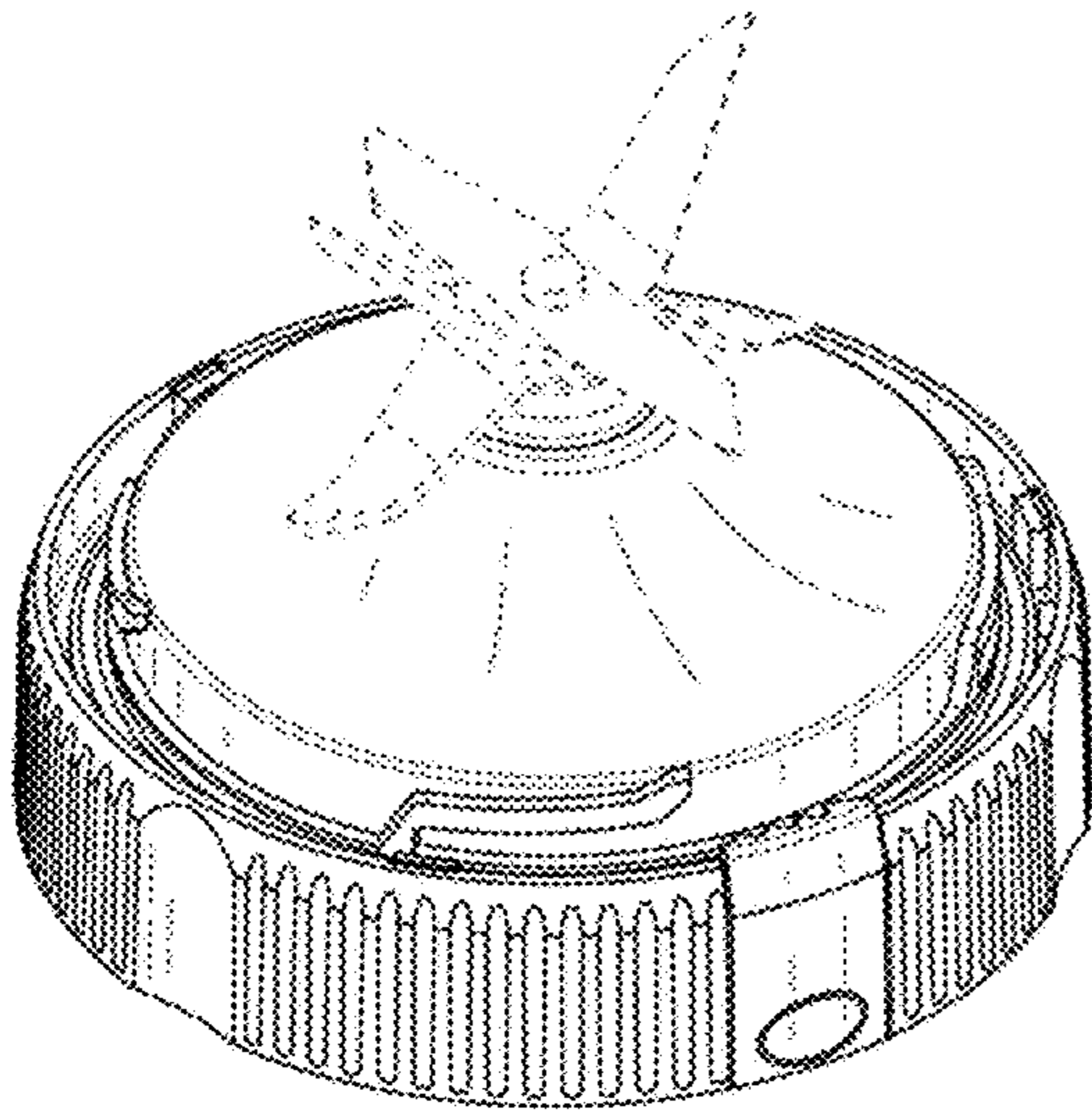


FIG. 17

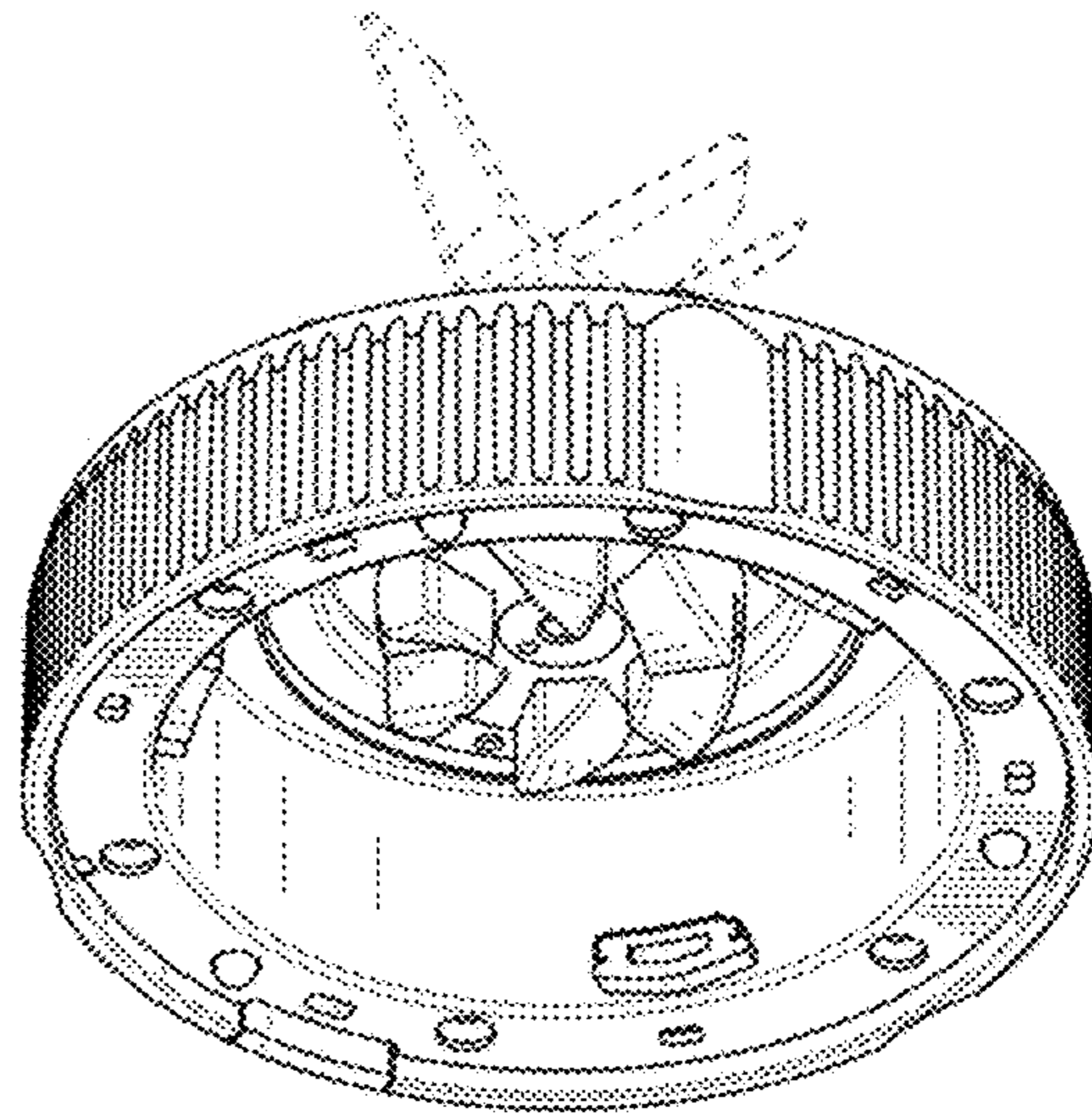


FIG. 18

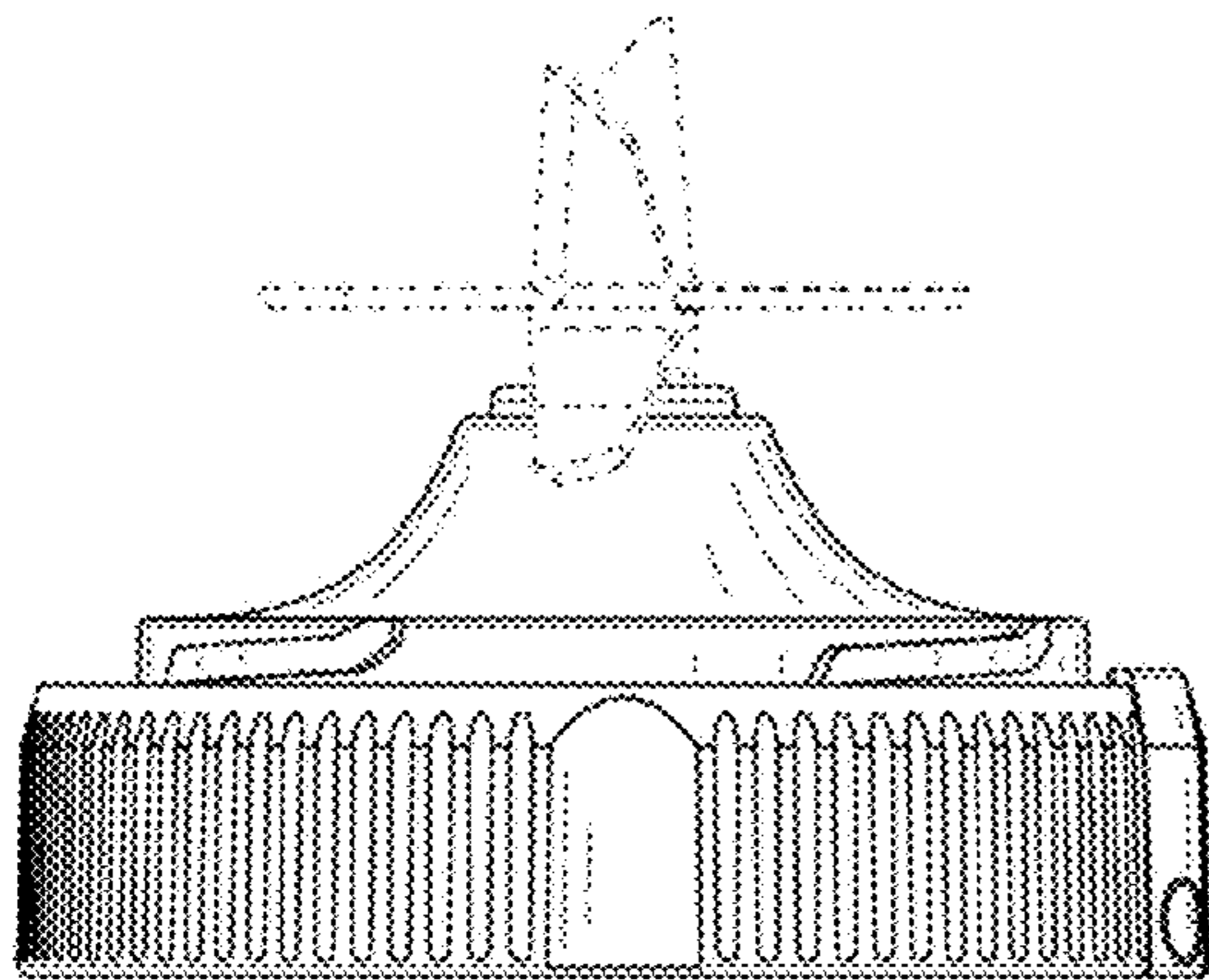


FIG. 19

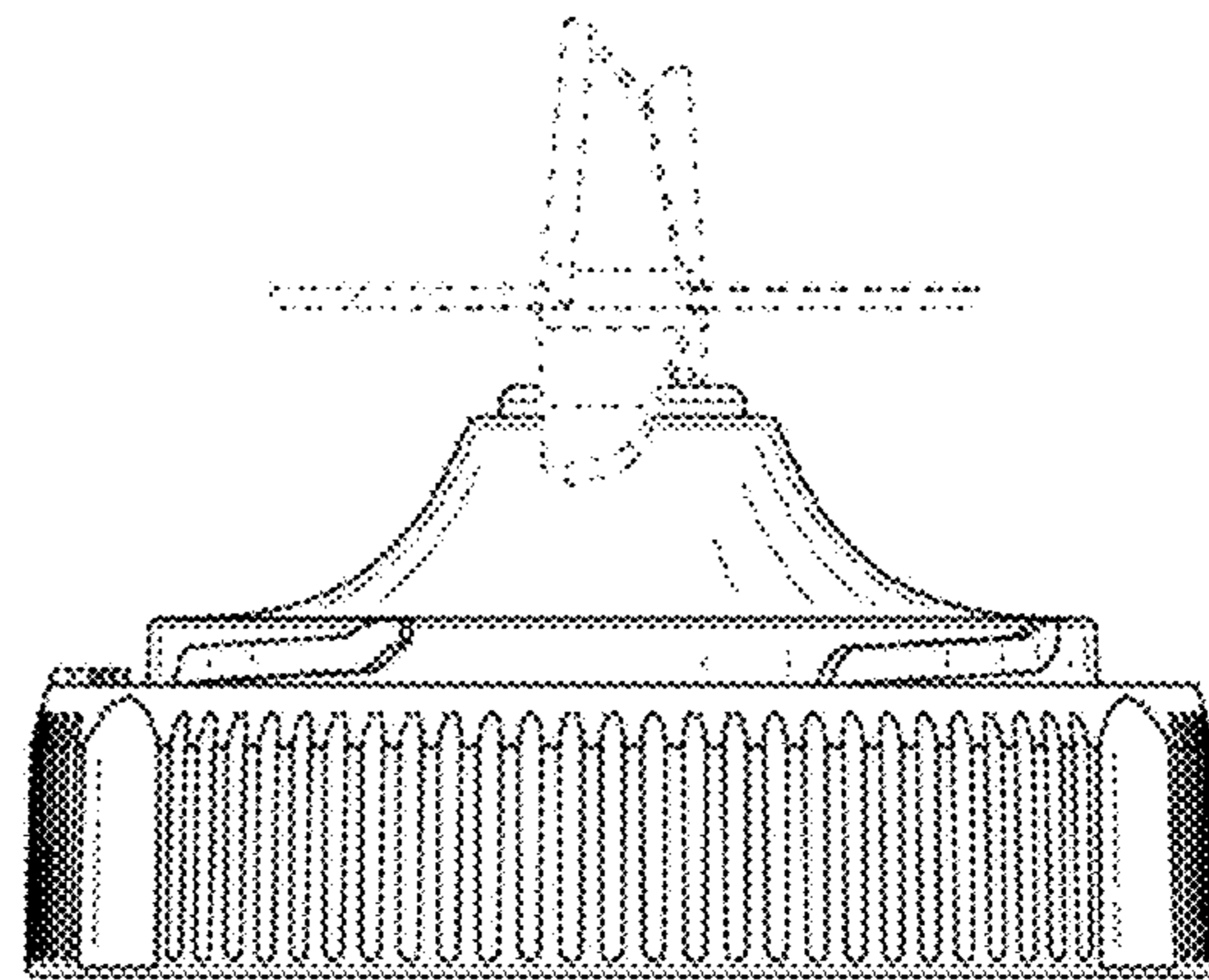


FIG. 20

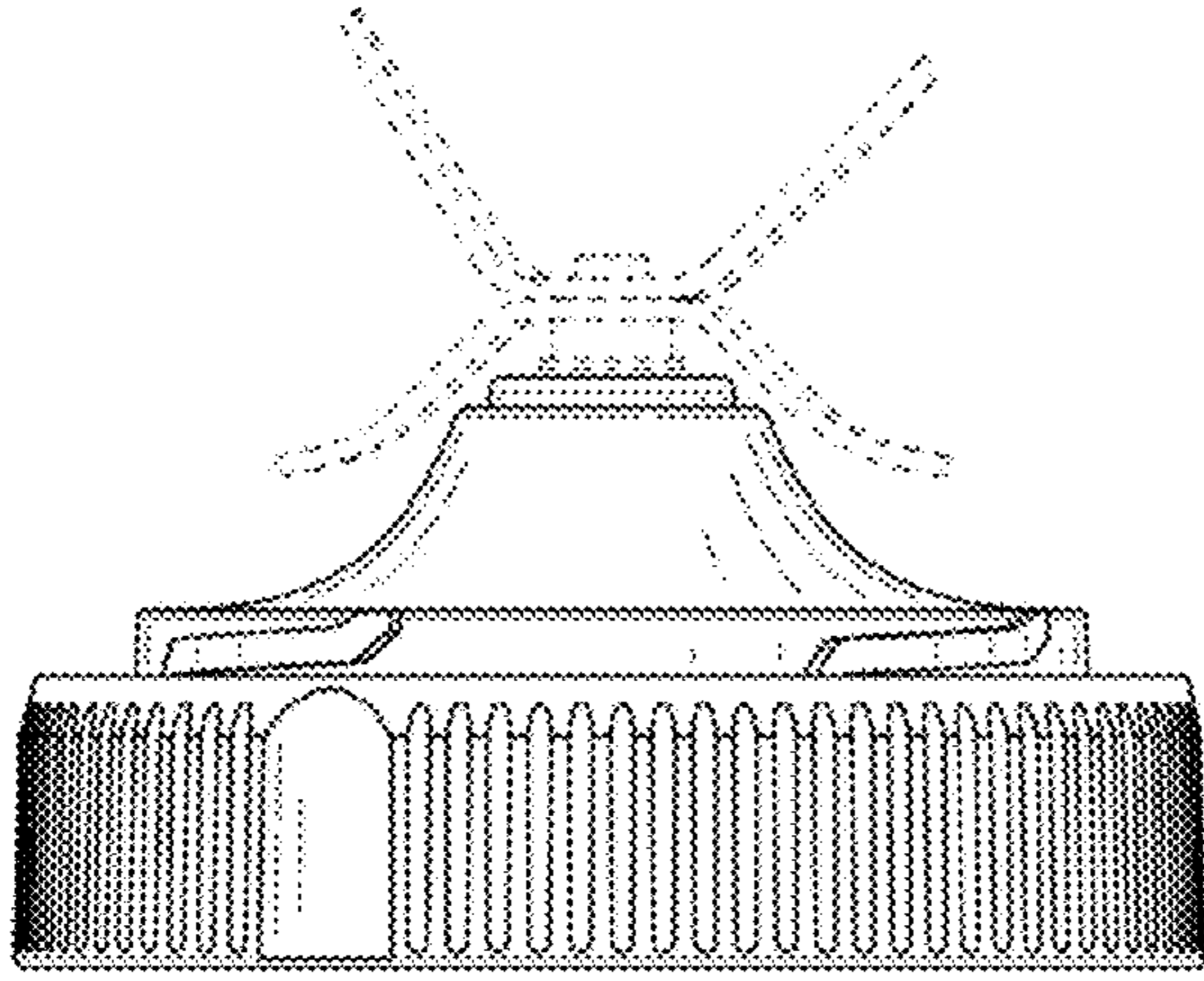


FIG. 21

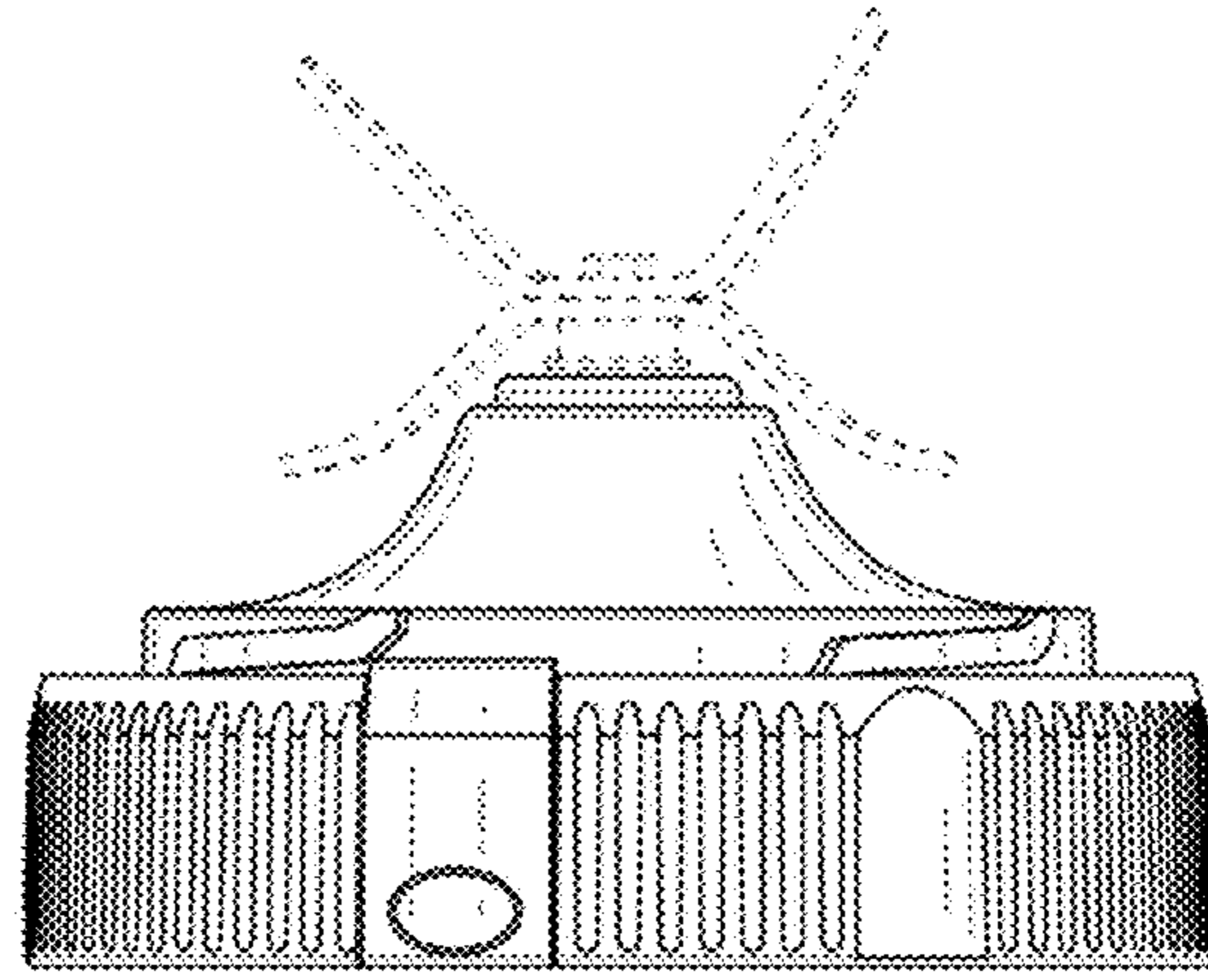


FIG. 22

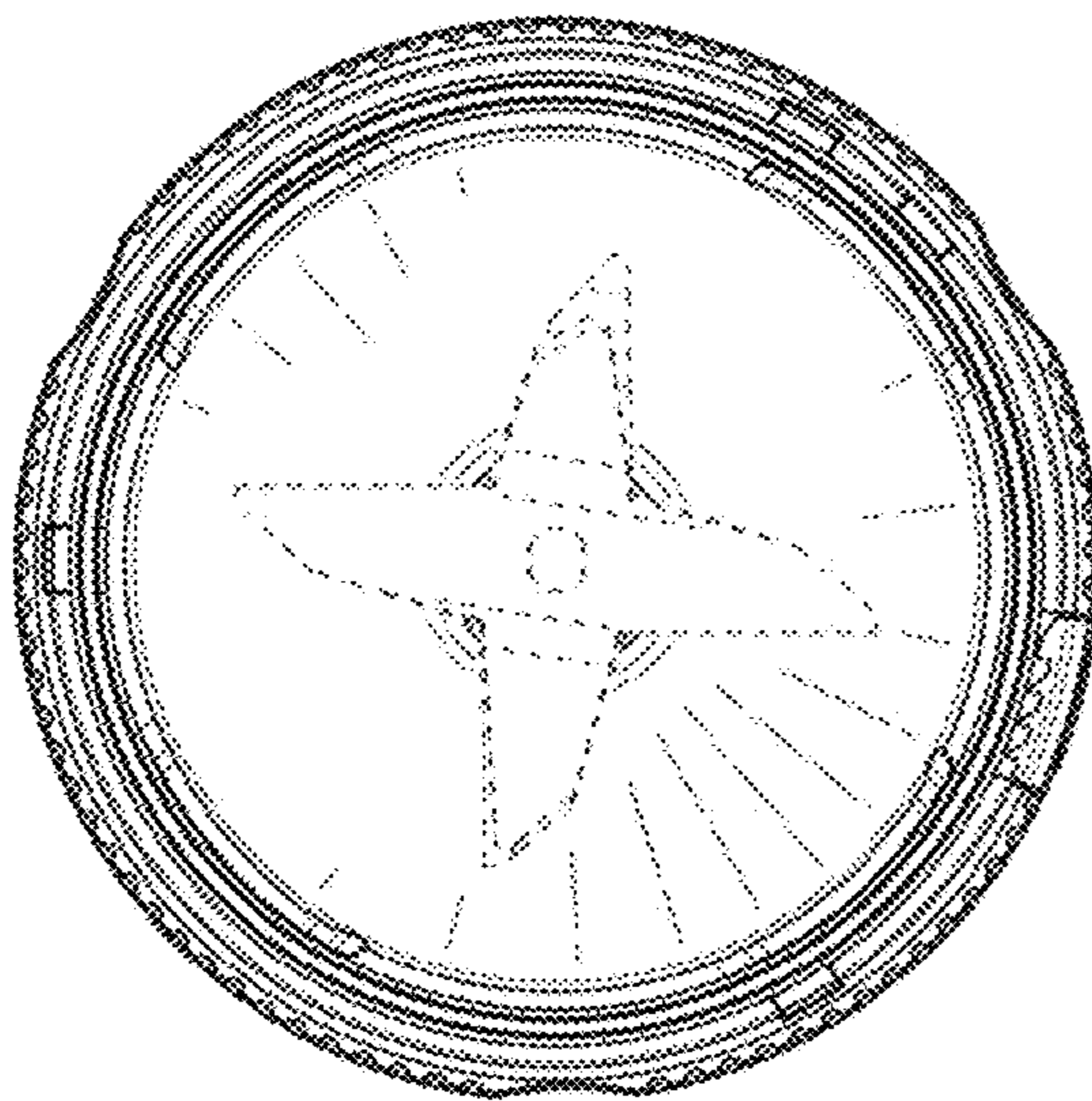


FIG. 23

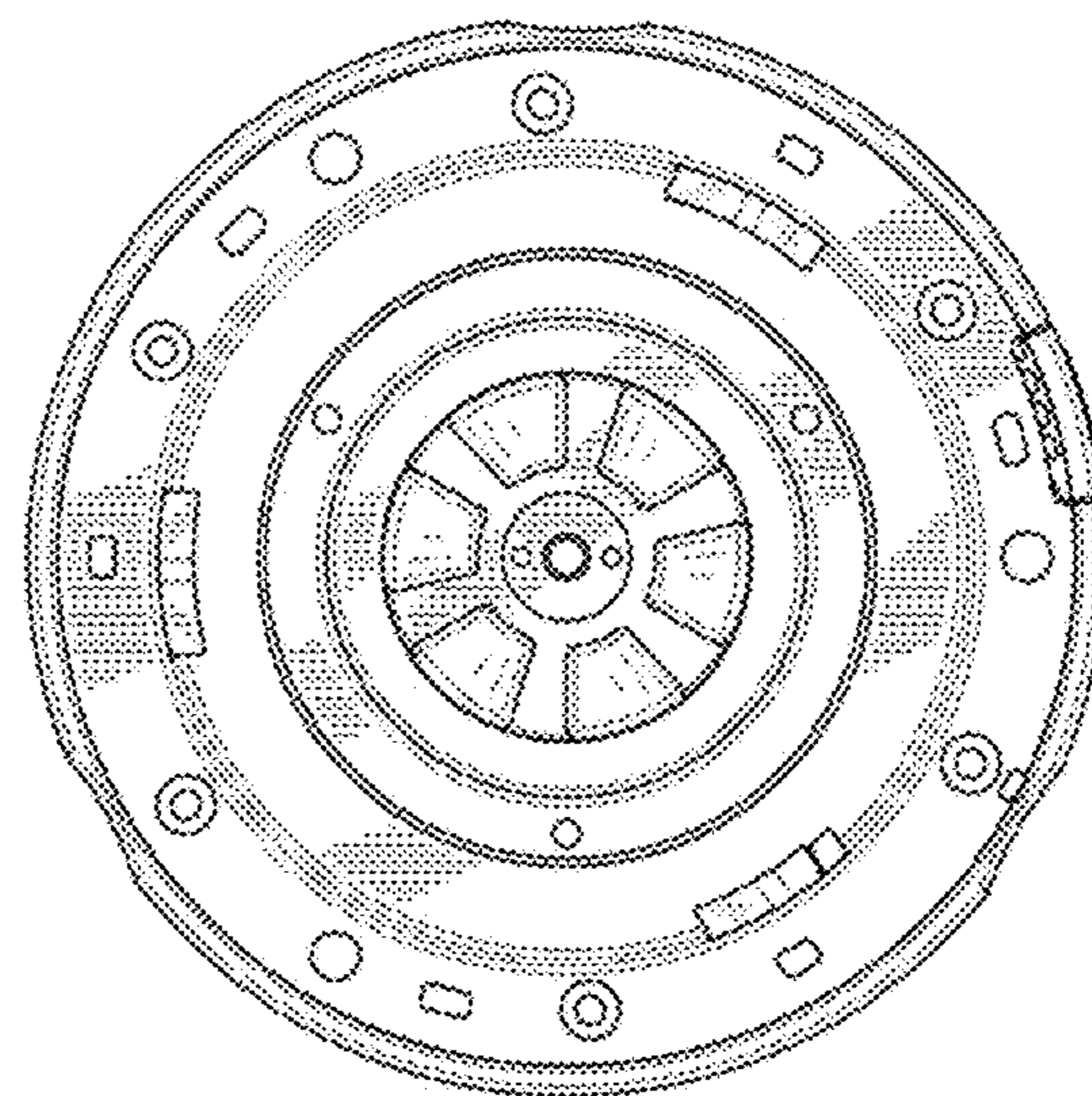


FIG. 24

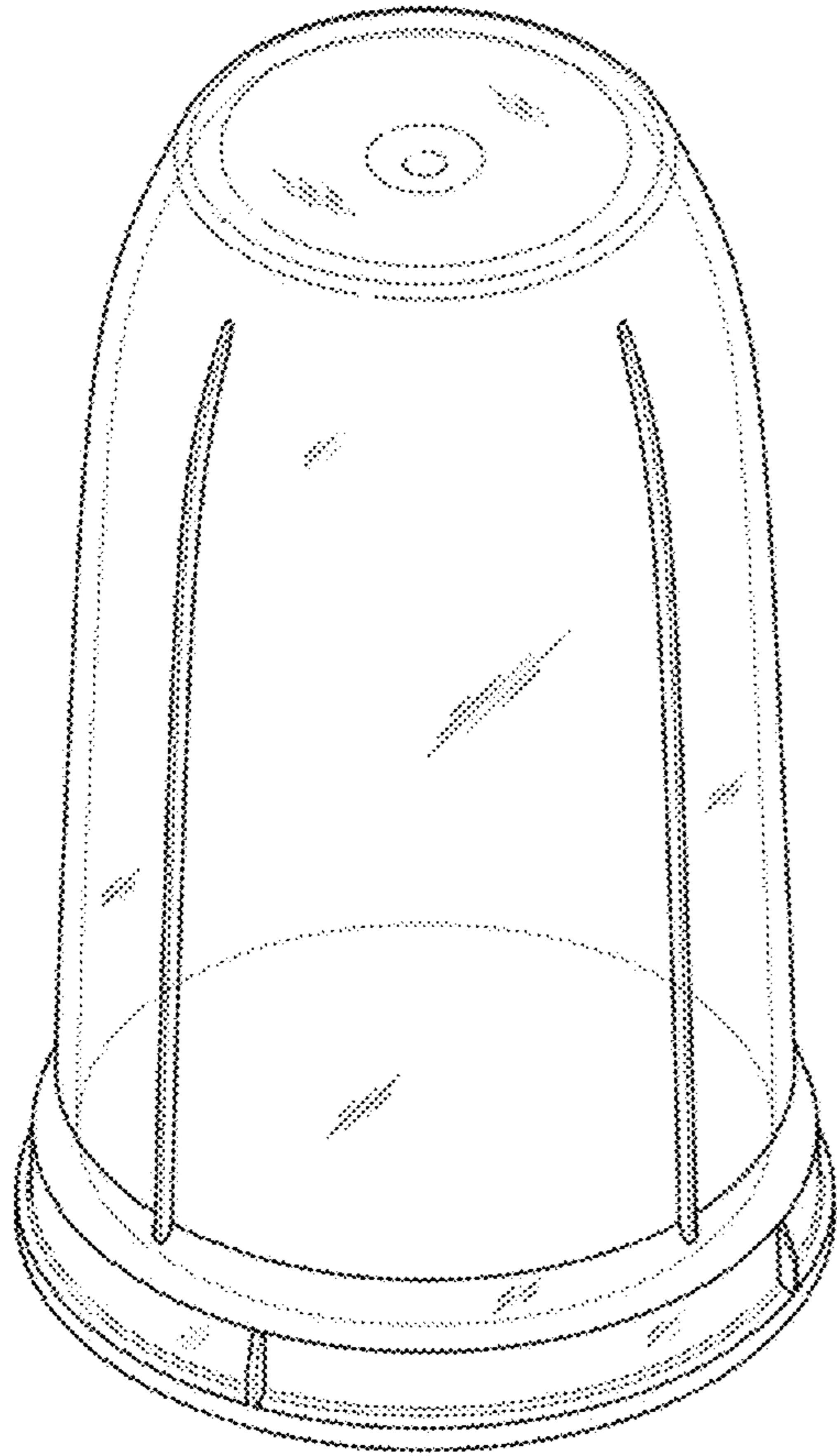


FIG. 25

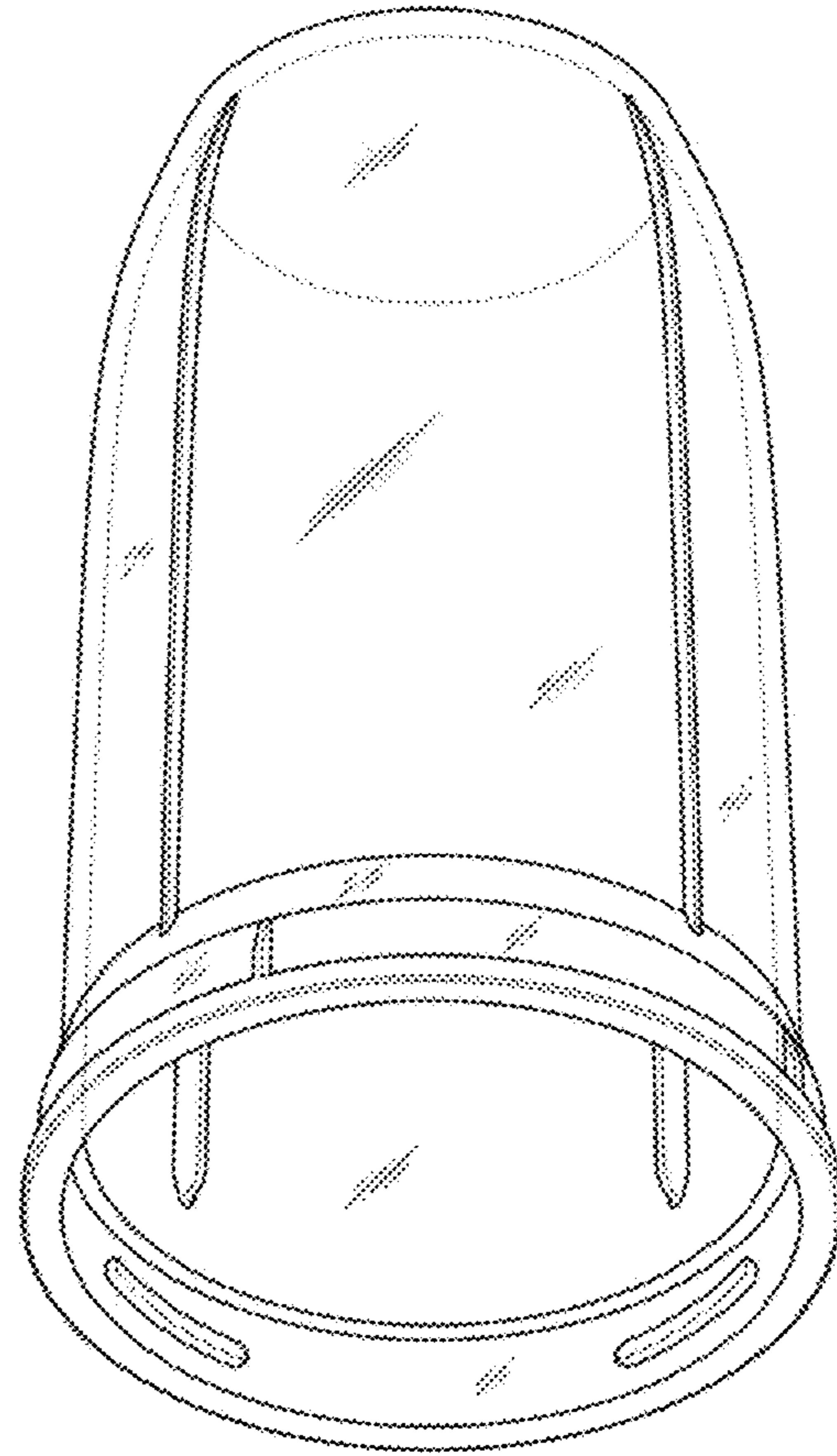


FIG. 26

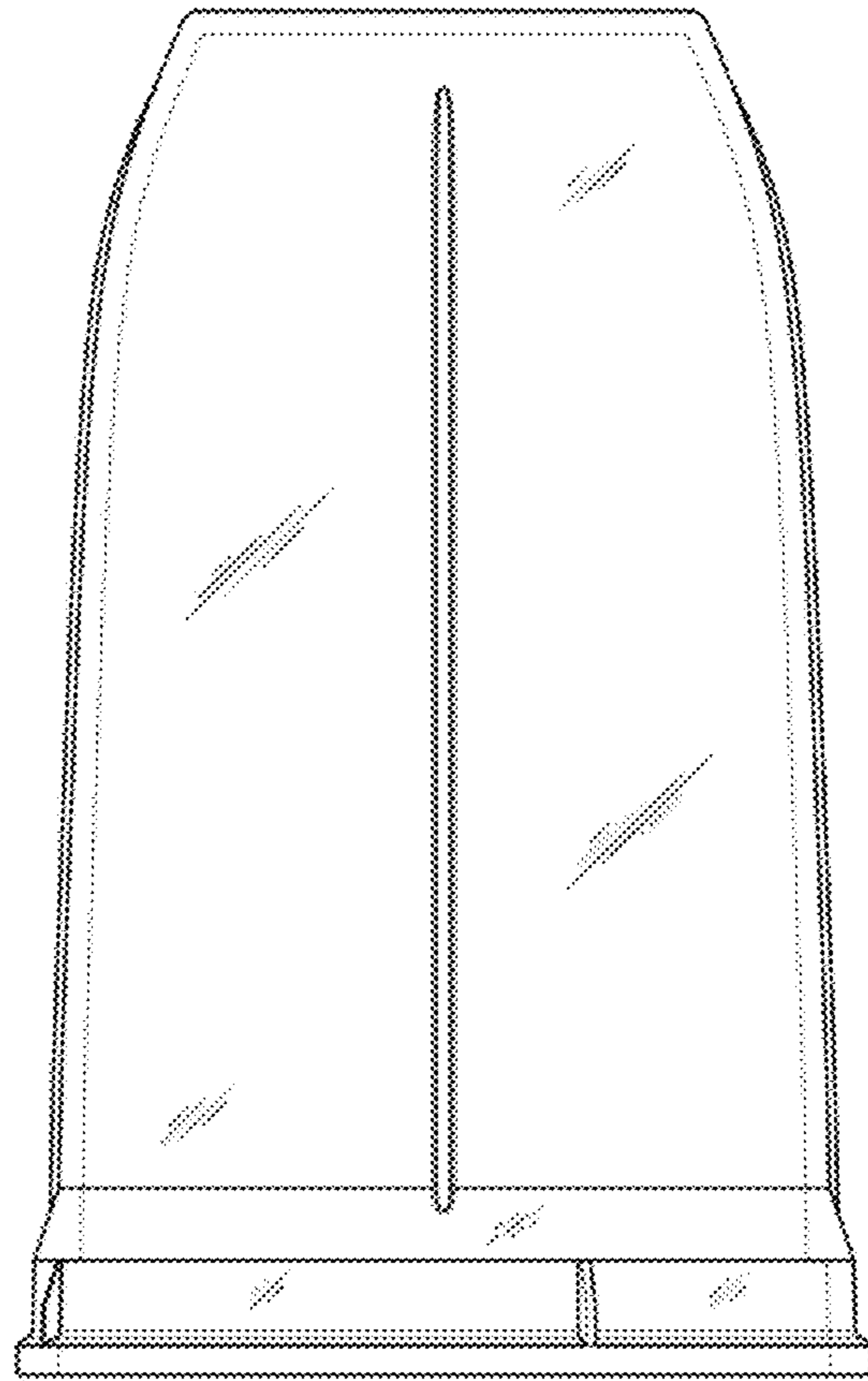


FIG. 27

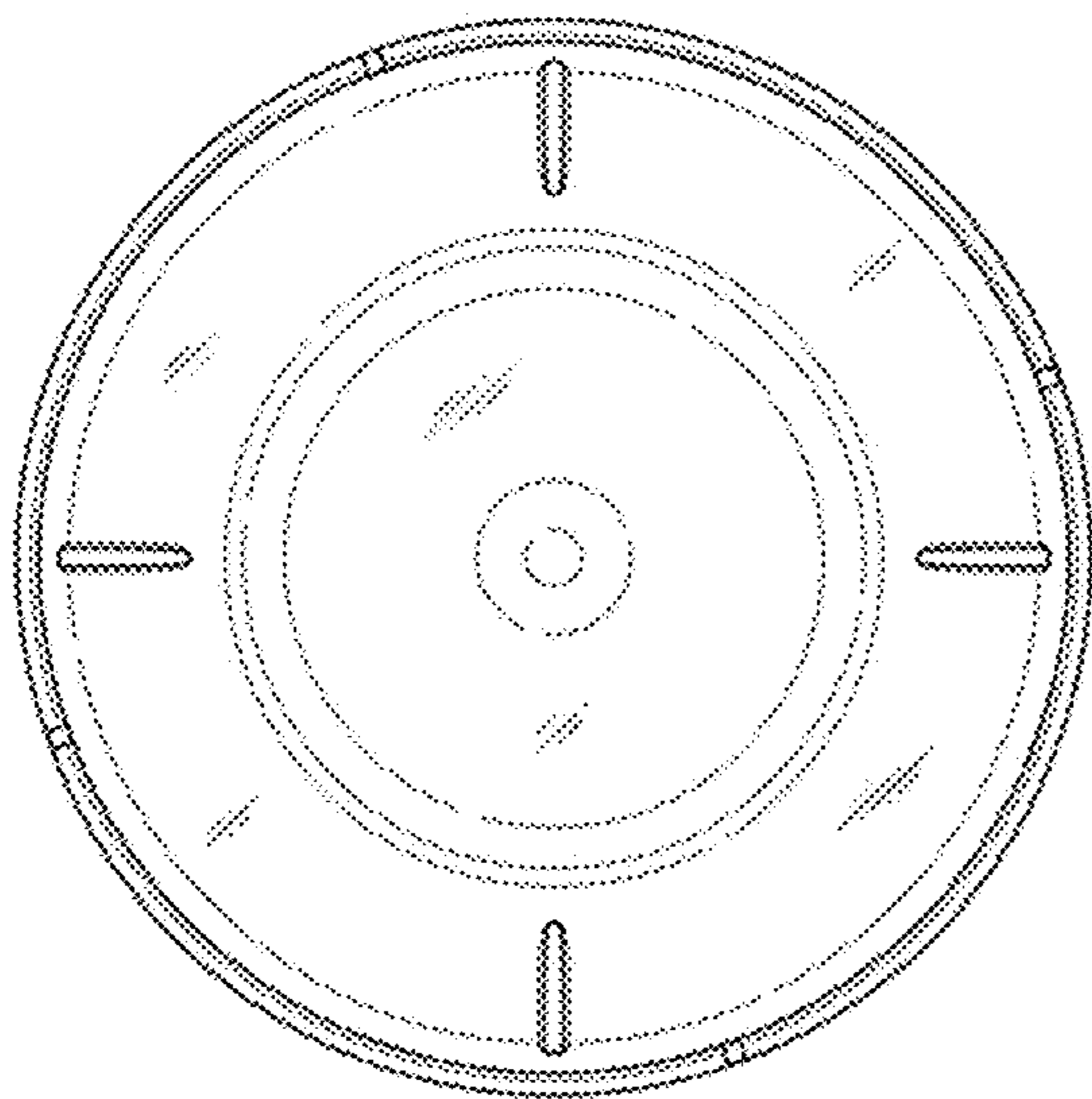


FIG. 28

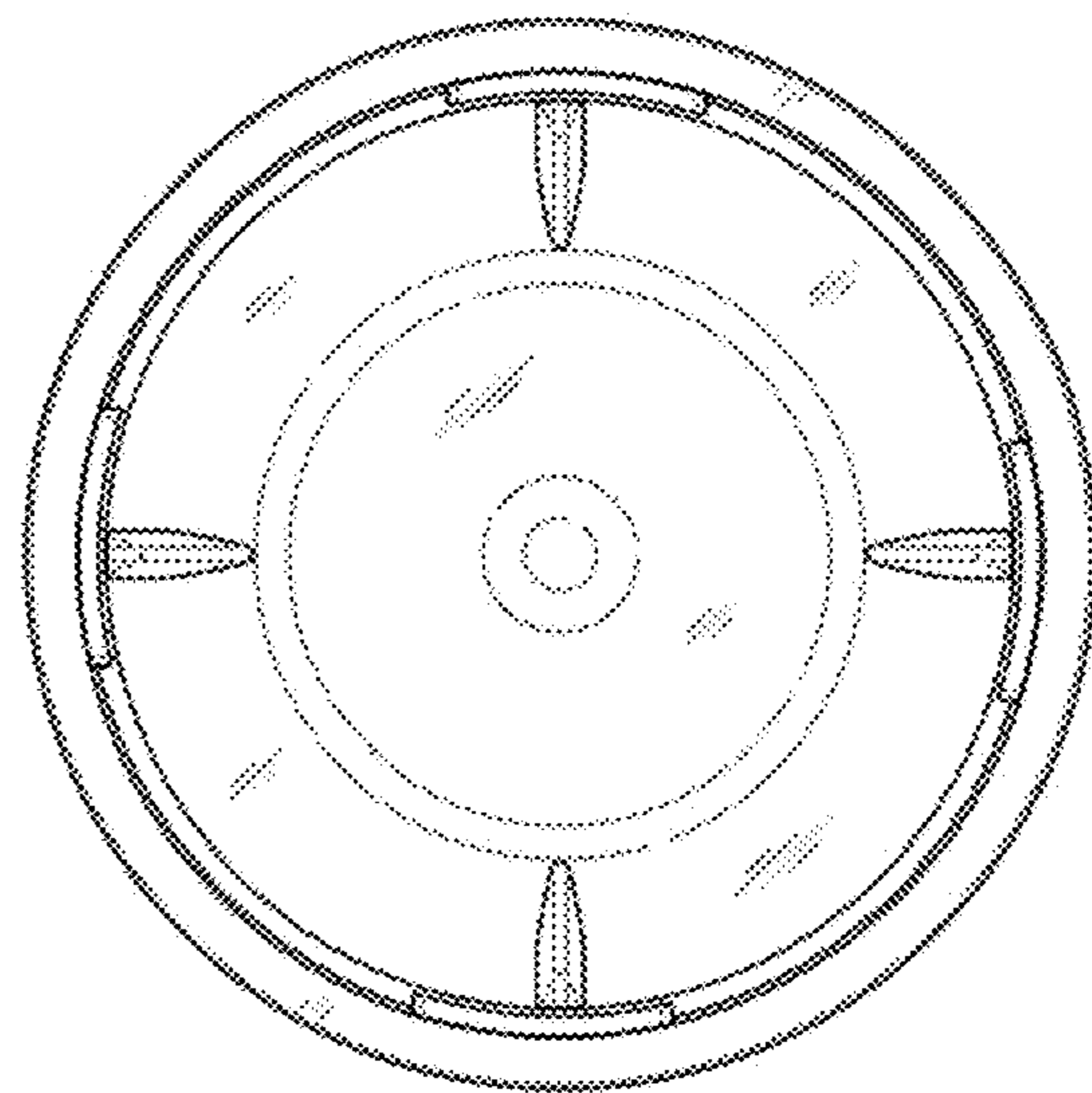


FIG. 29